



US00D741740S

(12) **United States Design Patent**
DiPietro

(10) **Patent No.:** **US D741,740 S**
(45) **Date of Patent:** **** Oct. 27, 2015**

(54) **BRACELET**

(71) Applicant: **Jason DiPietro**, East Providence, RI
(US)

(72) Inventor: **Jason DiPietro**, East Providence, RI
(US)

(**) Term: **14 Years**

(21) Appl. No.: **29/523,373**

(22) Filed: **Apr. 9, 2015**

(51) **LOC (10) Cl.** **11-01**

(52) **U.S. Cl.**
USPC **D11/87**

(58) **Field of Classification Search**
USPC D11/86, 87, 1, 2, 3, 4, 5, 6, 200–201,
D11/208–210, 212–218, 22, 230–234,
D11/236–237; 63/900
CPC A44C 5/18; A44C 1/00; A44C 5/2061;
A44C 5/2066; A44C 5/2071; A44C 5/2076;
A44C 5/208; A44C 5/2085; A44C 5/185;
A44C 5/20; A44C 5/2047; A44C 5/2052;
A44C 5/2057; A44D 2203/00; Y10T 24/32
See application file for complete search history.

(56) **References Cited**

U.S. PATENT DOCUMENTS

1,738,371	A *	12/1929	Jenckes	24/574.1
D152,491	S *	1/1949	Ostier	D10/32
3,765,064	A *	10/1973	Hooper et al.	24/658
4,768,688	A *	9/1988	Harrigan	224/148.2
5,044,051	A *	9/1991	Klein	24/581.1
5,782,107	A *	7/1998	Glanz	63/3
D487,709	S	3/2004	Ferlise	
D497,565	S *	10/2004	Pink	D11/4
D498,167	S	11/2004	Ferlise	
D514,474	S *	2/2006	Neri	D11/200
D561,636	S *	2/2008	Khubani	D11/87
D581,827	S *	12/2008	Moss	D11/87

D601,915	S *	10/2009	Heroux	D11/87
D602,799	S	10/2009	Colombani	
7,726,152	B2 *	6/2010	Beard	63/3.1
D619,026	S	7/2010	Papadimitriou	
D639,198	S	6/2011	Nigro	
D649,490	S *	11/2011	Slater et al.	D11/1
D658,085	S	4/2012	Rafaelian	
D704,085	S	5/2014	DiPietro	
D704,086	S	5/2014	DiPietro	
D704,087	S	5/2014	DiPietro	
D704,588	S	5/2014	DiPietro	
D707,582	S	6/2014	DiPietro	
8,769,986	B1	7/2014	DiPietro	
D712,299	S	9/2014	DiPietro	
8,904,821	B1	12/2014	DiPietro	
2009/0013720	A1 *	1/2009	Altick	63/3.1

OTHER PUBLICATIONS

[Online] http://ecx.images-amazon.com/images/I/519dC1VW7EL._UL1500_.jpg. Retrieved Jul. 21, 2015.*

* cited by examiner

Primary Examiner — Garth Rademaker
Assistant Examiner — Melanie Pellegrini
(74) *Attorney, Agent, or Firm* — Salter & Michaelson

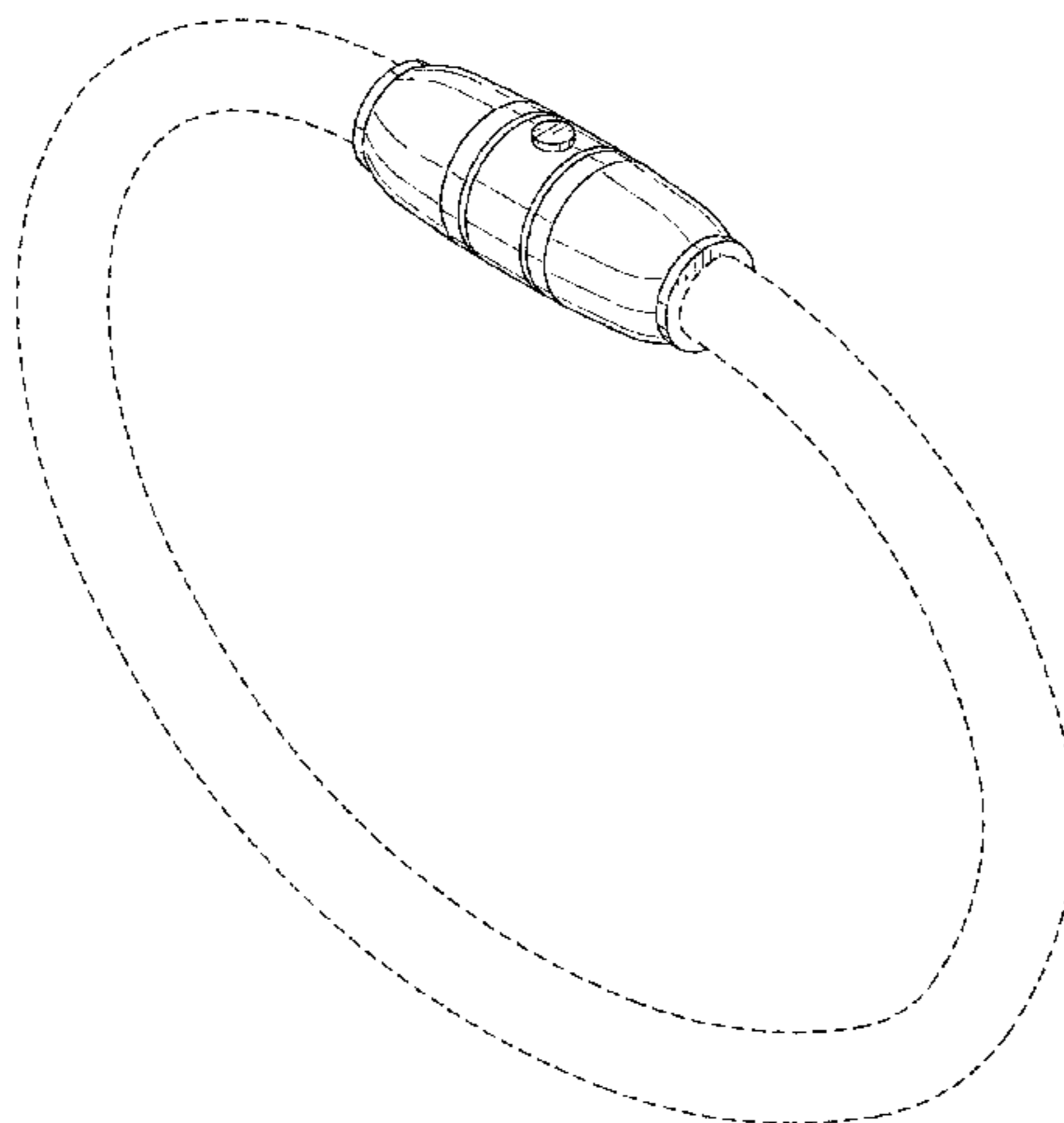
(57) **CLAIM**

The ornamental design for a bracelet, as shown and described.

DESCRIPTION

FIG. 1 is a perspective view of a bracelet;
FIG. 2 is a front elevational view thereof;
FIG. 3 is a rear elevational view thereof;
FIG. 4 is a top plan view thereof;
FIG. 5 is a bottom plan view thereof;
FIG. 6 is a left side elevational view thereof;
FIG. 7 is a right side elevational view thereof; and,
FIG. 8 is an exploded view.
The broken lines represent portions of the bracelet which form no part of the claimed design.

1 Claim, 5 Drawing Sheets



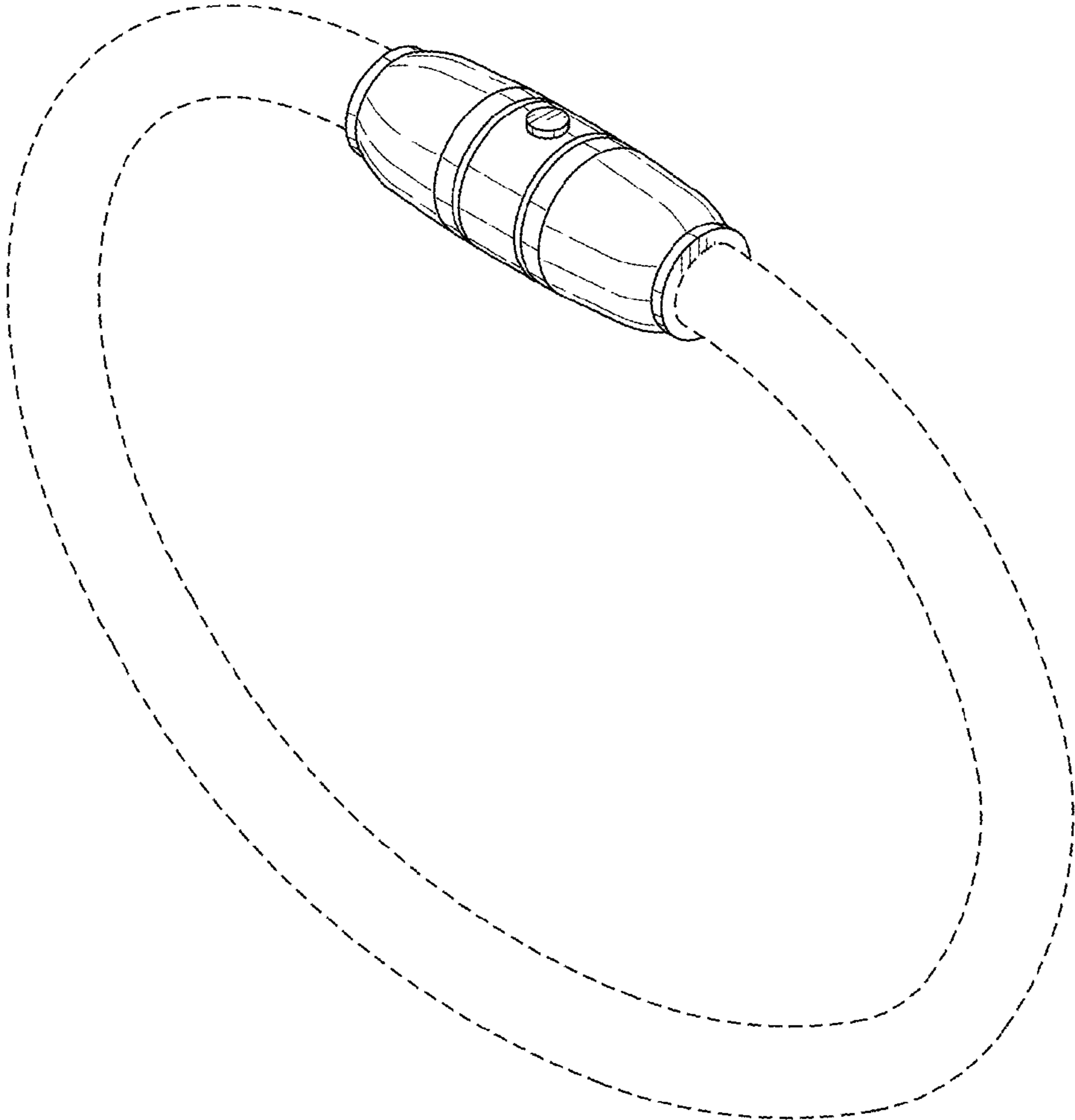


FIG. 1

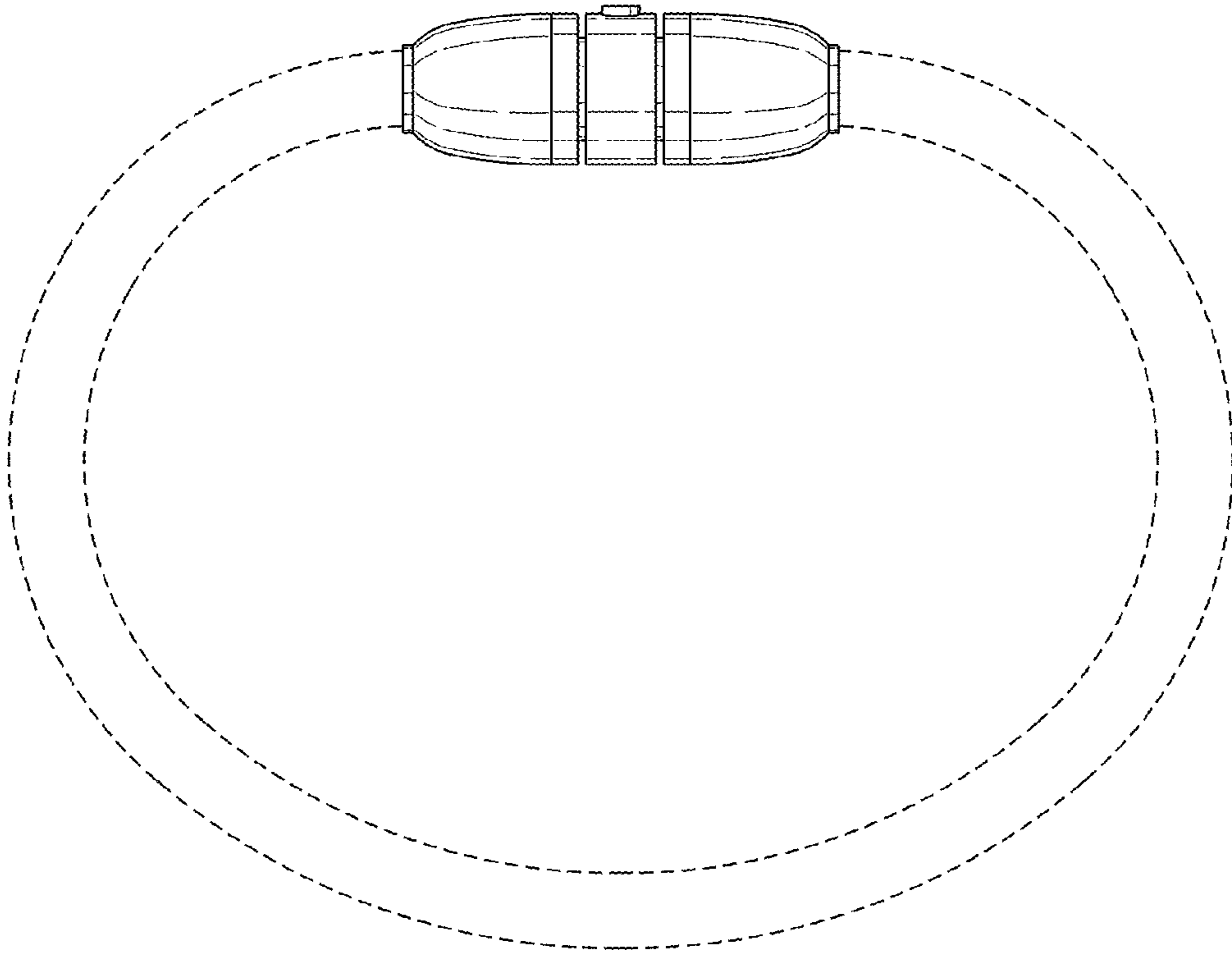


FIG. 2

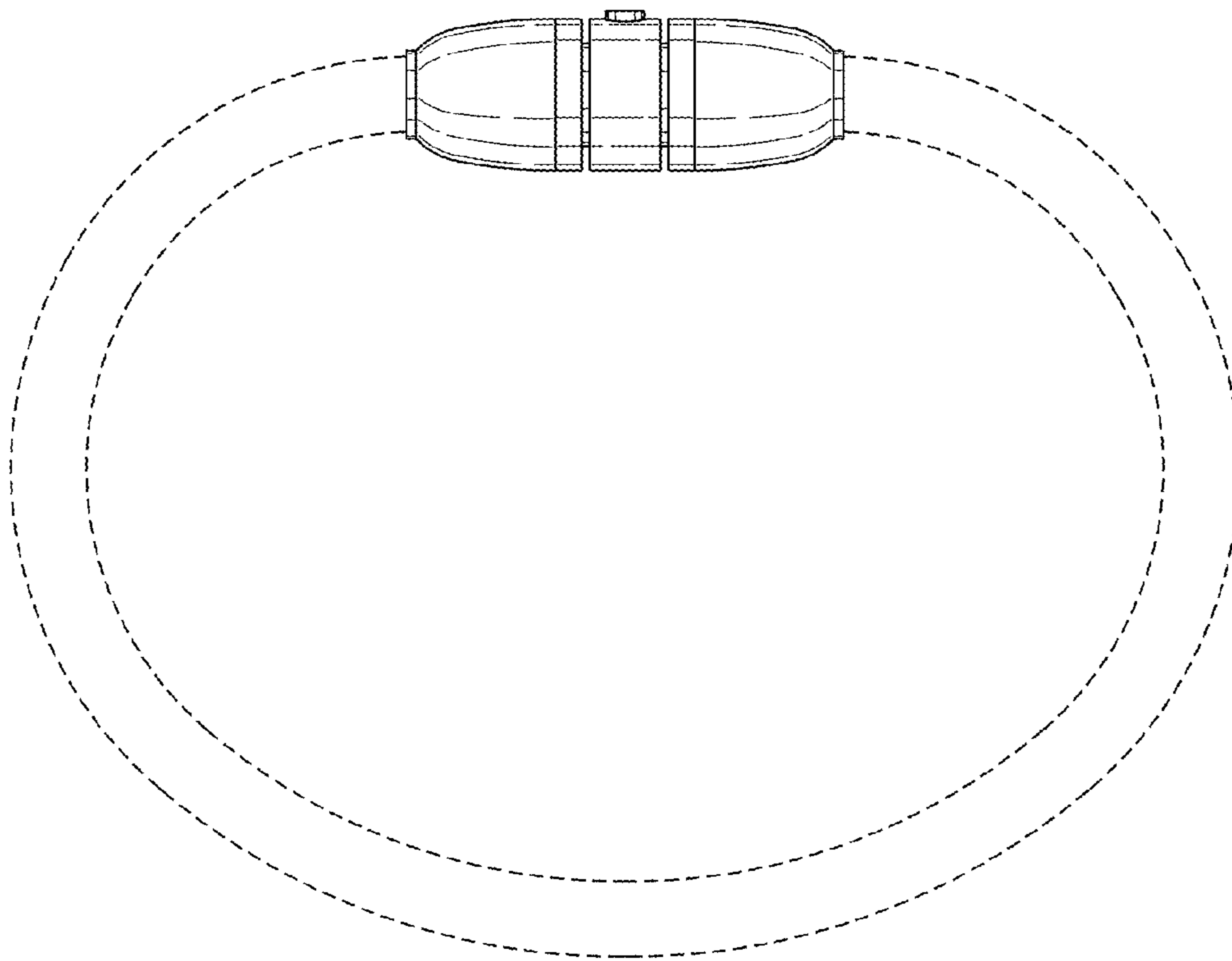


FIG. 3

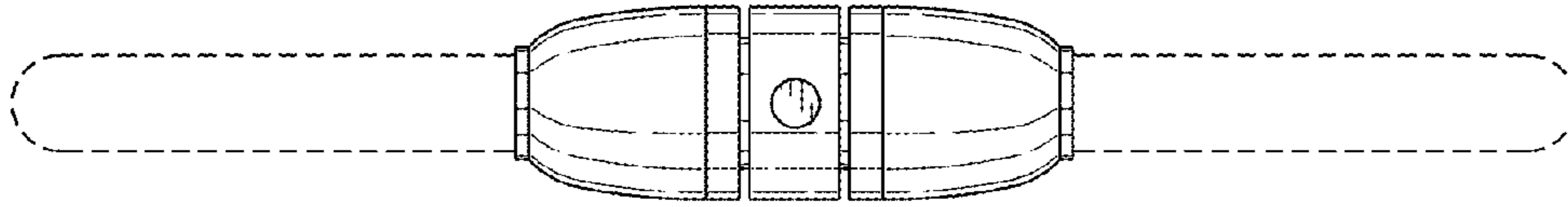


FIG. 4

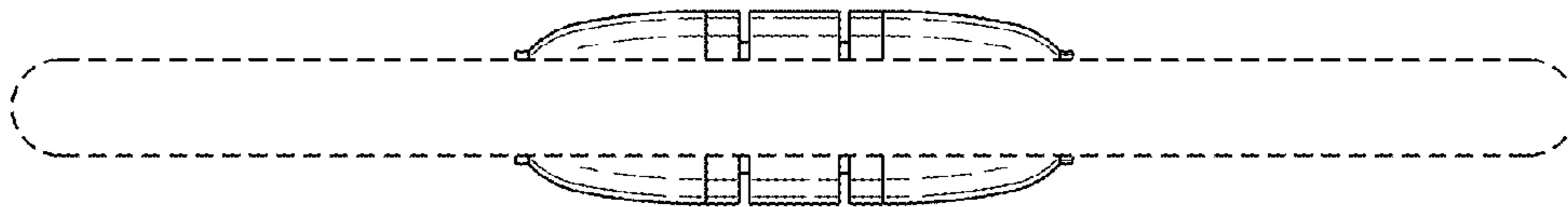


FIG. 5

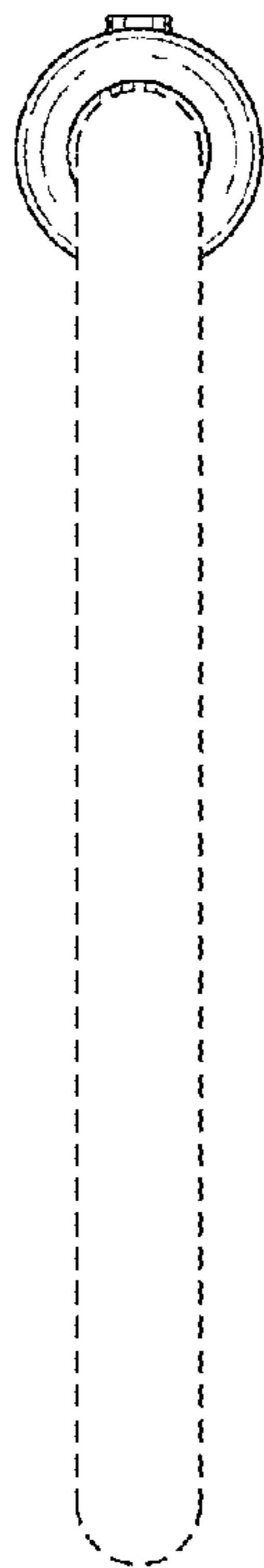


FIG. 6

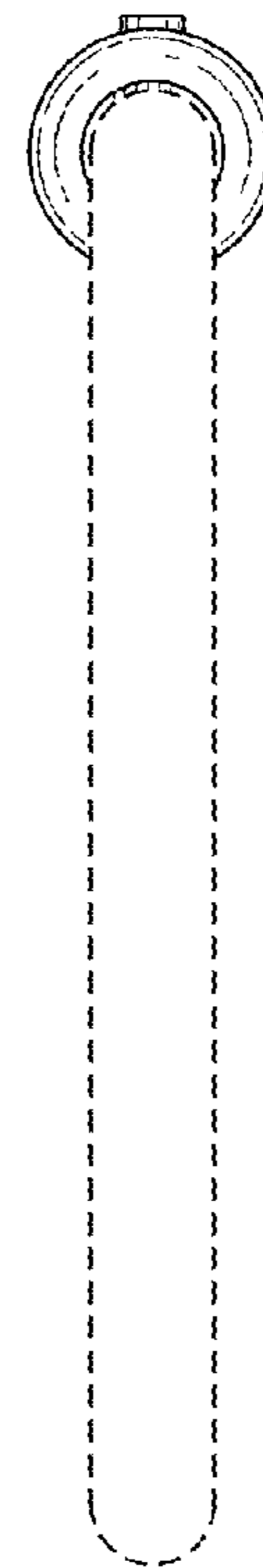


FIG. 7

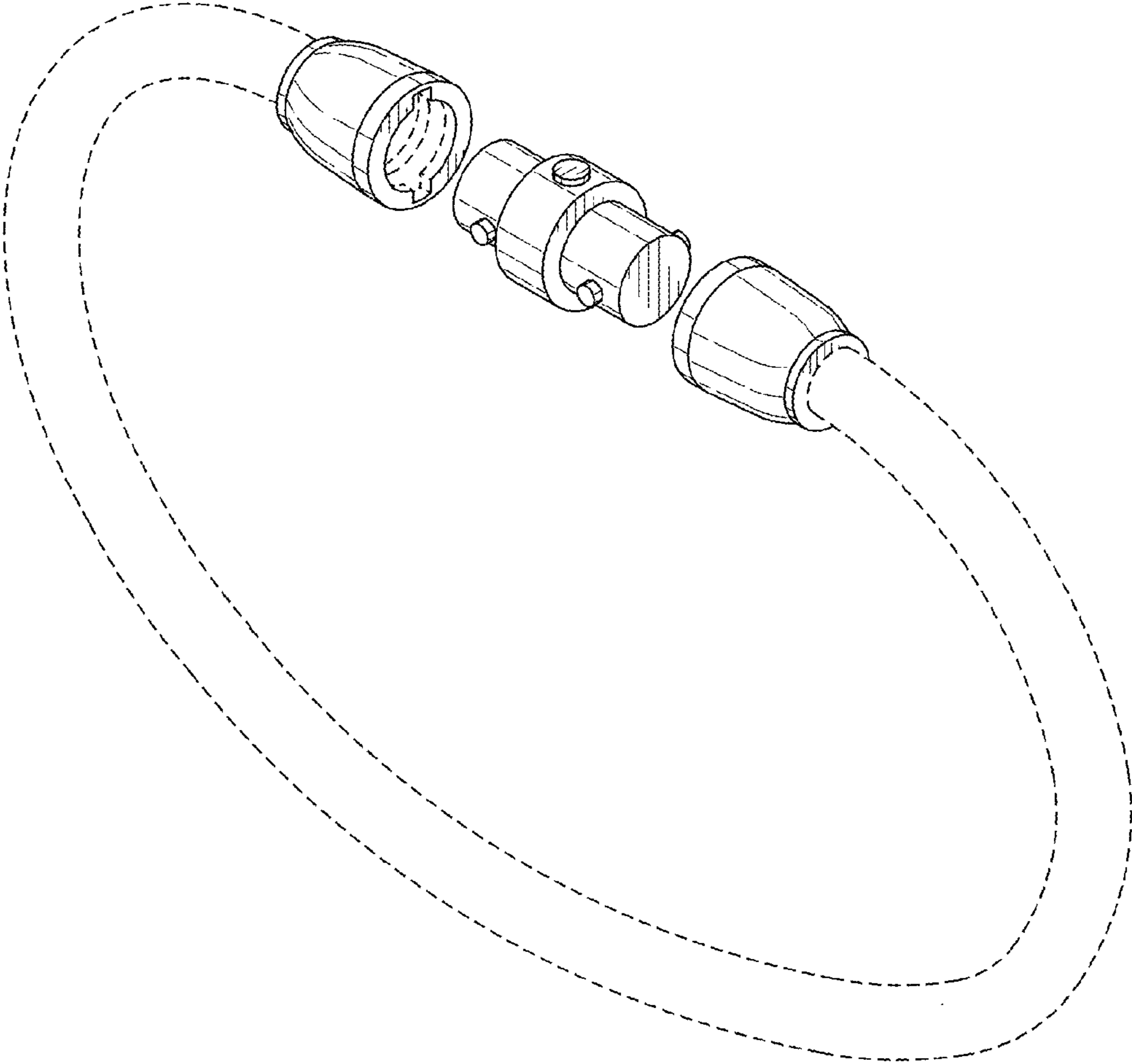


FIG. 8