



US00D741737S

(12) **United States Design Patent**
Feng et al.

(10) **Patent No.:** **US D741,737 S**

(45) **Date of Patent:** **** Oct. 27, 2015**

(54) **FLOW METER HOUSING**

(71) Applicant: **Micro Motion, Inc.**, Boulder, CO (US)

(72) Inventors: **Xiang Feng**, Nanjing (CN); **Muyuan Liu**, Nanjing (CN); **Yang Ye**, Nanjing (CN); **Beilei Wang**, Nanjing (CN); **Clinton R Griffin**, Erie, CO (US)

(73) Assignee: **Micro Motion, Inc.**, Boulder, CO (US)

(**) Term: **14 Years**

(21) Appl. No.: **29/495,637**

(22) Filed: **Jul. 2, 2014**

(30) **Foreign Application Priority Data**

May 23, 2014 (CN) 2014 3 0146127

(51) **LOC (10) Cl.** **10-04**

(52) **U.S. Cl.**
USPC **D10/96**

(58) **Field of Classification Search**
USPC D10/96
CPC ... G01F 1/8472; G01F 1/8481; G01F 1/8468;
G01F 1/8436; G01F 1/8477; G01F 1/8418;
G01F 1/8422; G01F 1/8427; G01F 1/8431;
G01F 1/844; G01F 1/8445; G01F 1/8486;
G01F 1/849; G01F 1/8495; G01F 25/00;
G01F 25/0007

See application file for complete search history.

(56) **References Cited**

U.S. PATENT DOCUMENTS

D418,767 S * 1/2000 Oakley D10/96
D419,088 S * 1/2000 Oakley D10/96

D423,388 S * 4/2000 Oakley D10/96
D427,096 S * 6/2000 McCarthy et al. D10/96
D668,979 S * 10/2012 Robb et al. D10/96
D674,302 S * 1/2013 Robb et al. D10/96
D675,122 S * 1/2013 Robb et al. D10/96
2011/0209561 A1* 9/2011 Hussain et al. 73/861.357
2014/0137666 A1* 5/2014 Werbach et al. 73/861.355
2015/0001846 A1* 1/2015 Griffin 285/368

* cited by examiner

Primary Examiner — Antoine D Davis

(74) *Attorney, Agent, or Firm* — The Ollila Law Group LLC

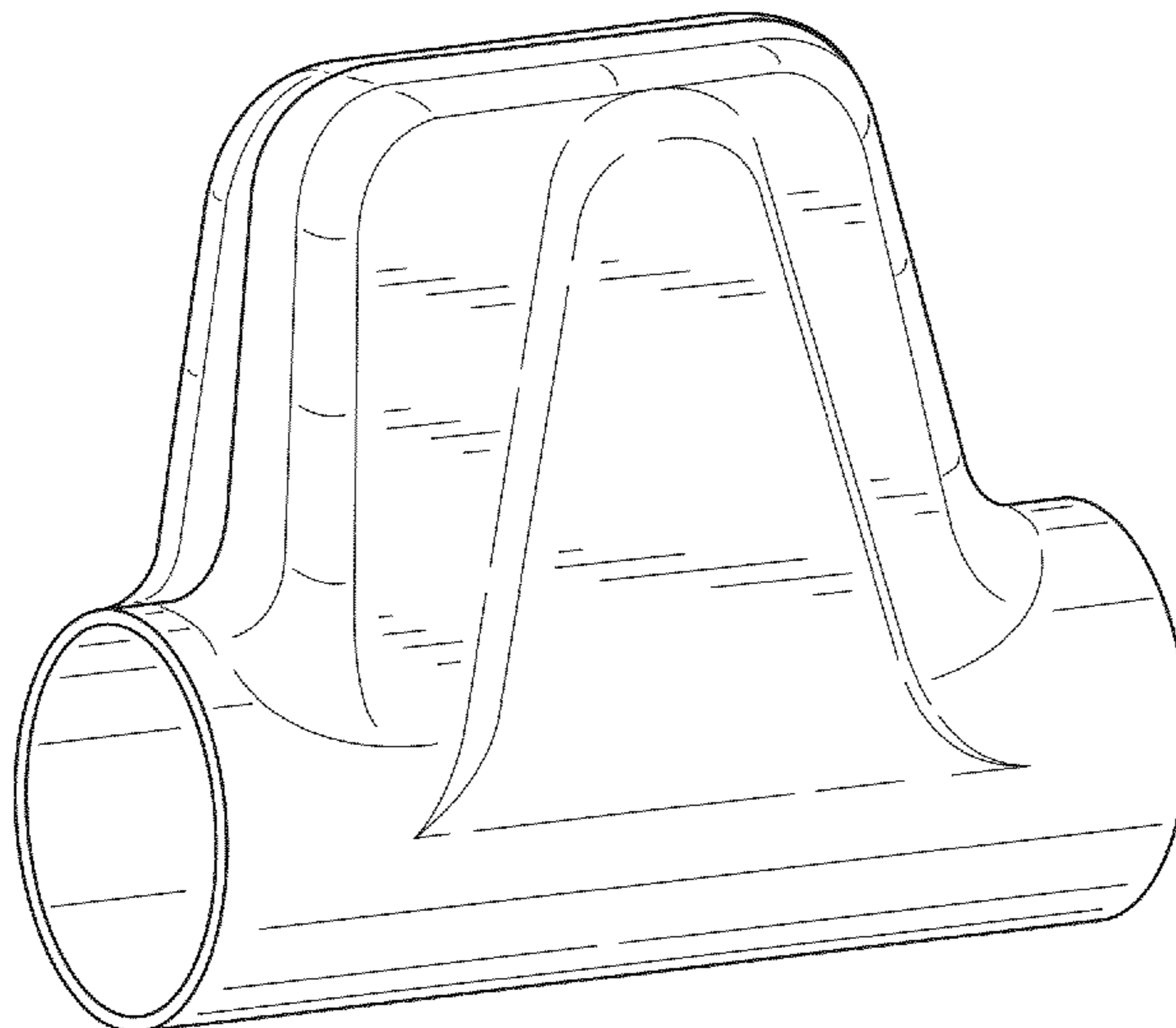
(57) **CLAIM**

The ornamental design for a flow meter housing, as shown and described.

DESCRIPTION

FIG. 1 is a front perspective view of a flow meter housing
FIG. 2 is a front view of the housing;
FIG. 3 is a rear view of the housing;
FIG. 4 is a right side view of the housing;
FIG. 5 is a left side view of the housing;
FIG. 6 is a top view of the housing;
FIG. 7 is a bottom view of the housing;
FIG. 8 is a cross-sectional side view taken from 8-8 in FIG. 3 of the housing;
FIG. 9 is a perspective view of a flow meter housing;
FIG. 10 is a front view of the housing;
FIG. 11 is a rear view of the housing;
FIG. 12 is a right side view of the housing;
FIG. 13 is a left side view of the housing;
FIG. 14 is a top view of the housing;
FIG. 15 is a bottom view of the housing; and,
FIG. 16 is a cross-sectional side view taken from 16-16 in FIG. 11 of the housing.

1 Claim, 10 Drawing Sheets



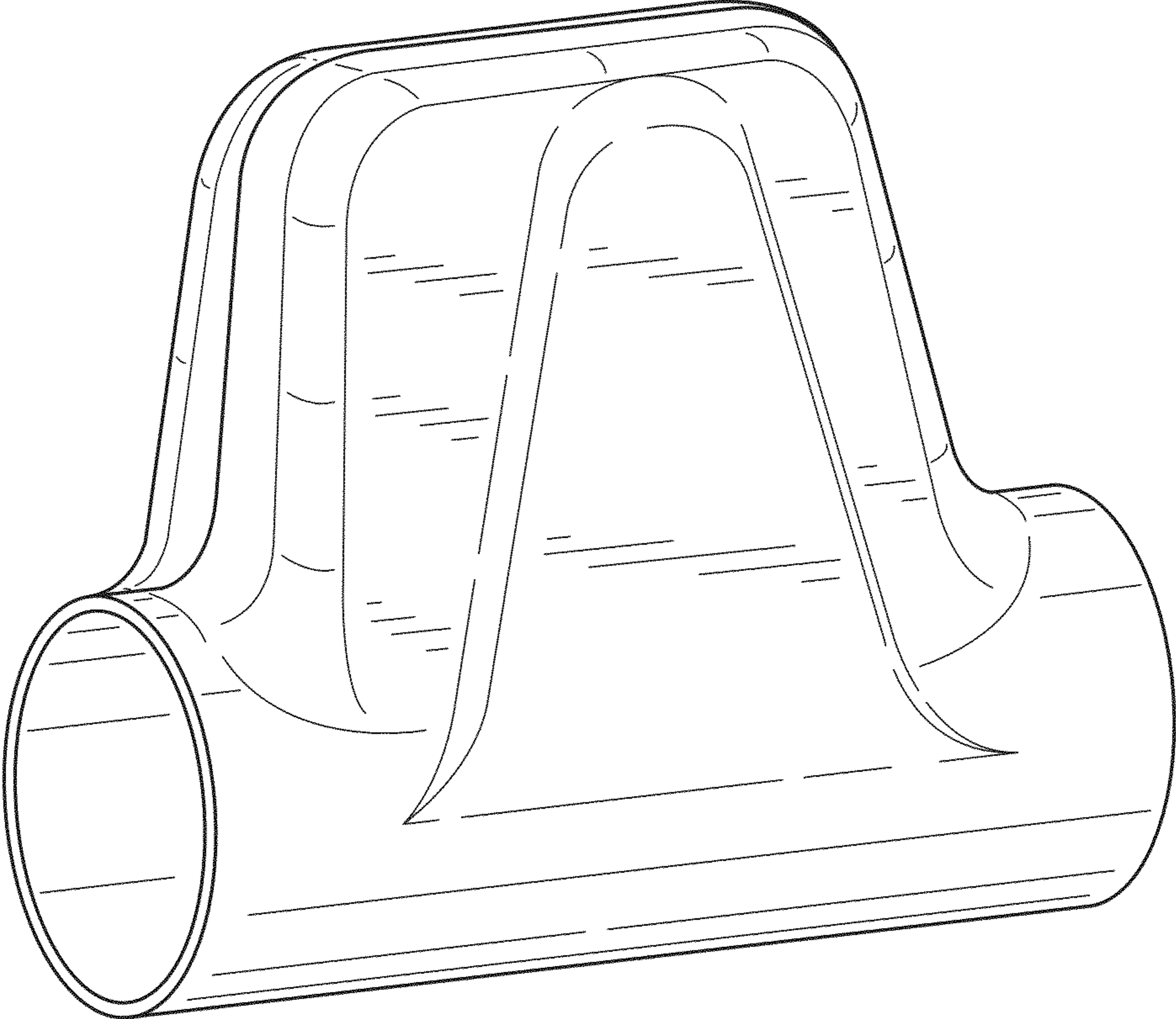


FIG. 1

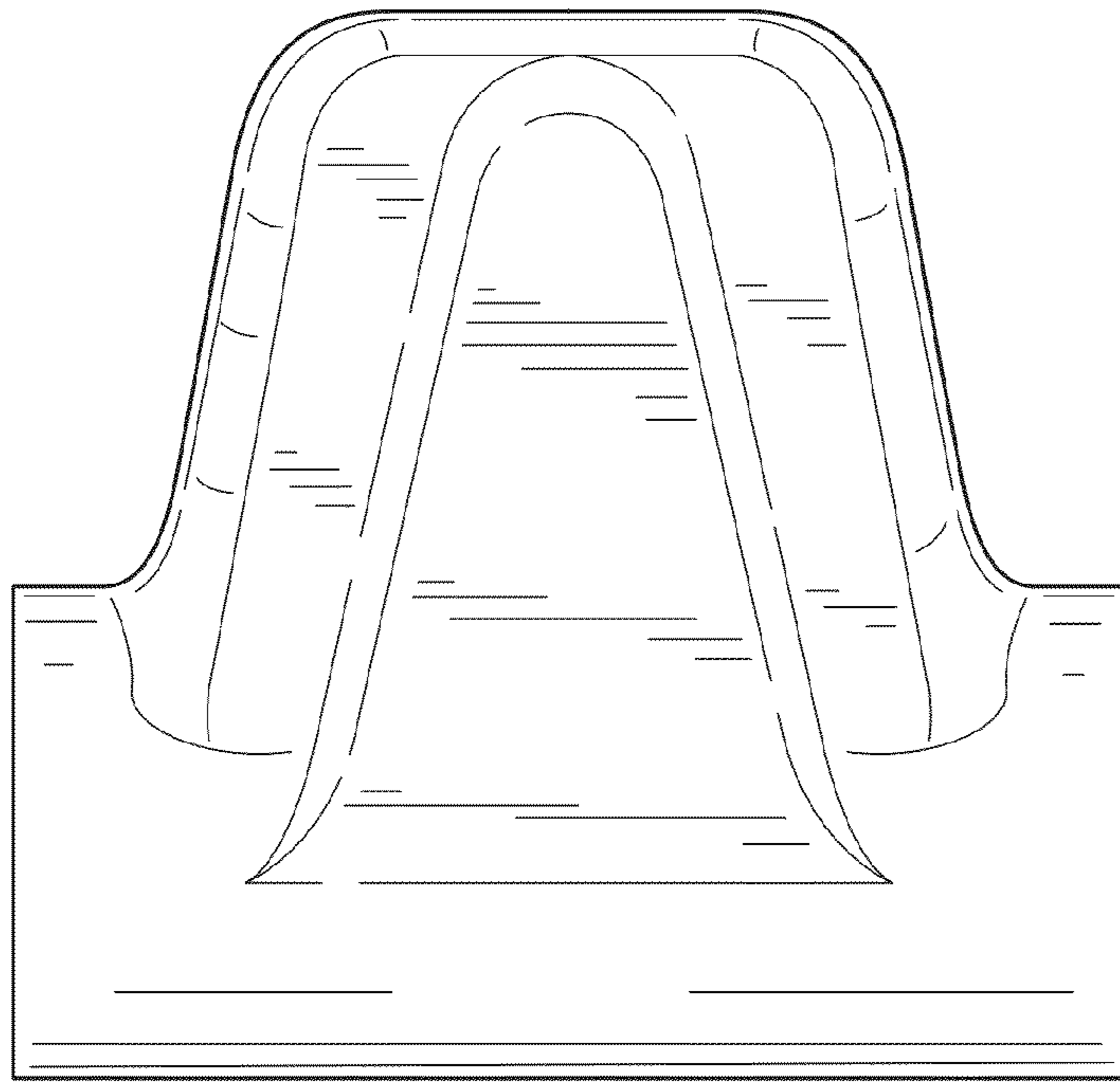


FIG. 2

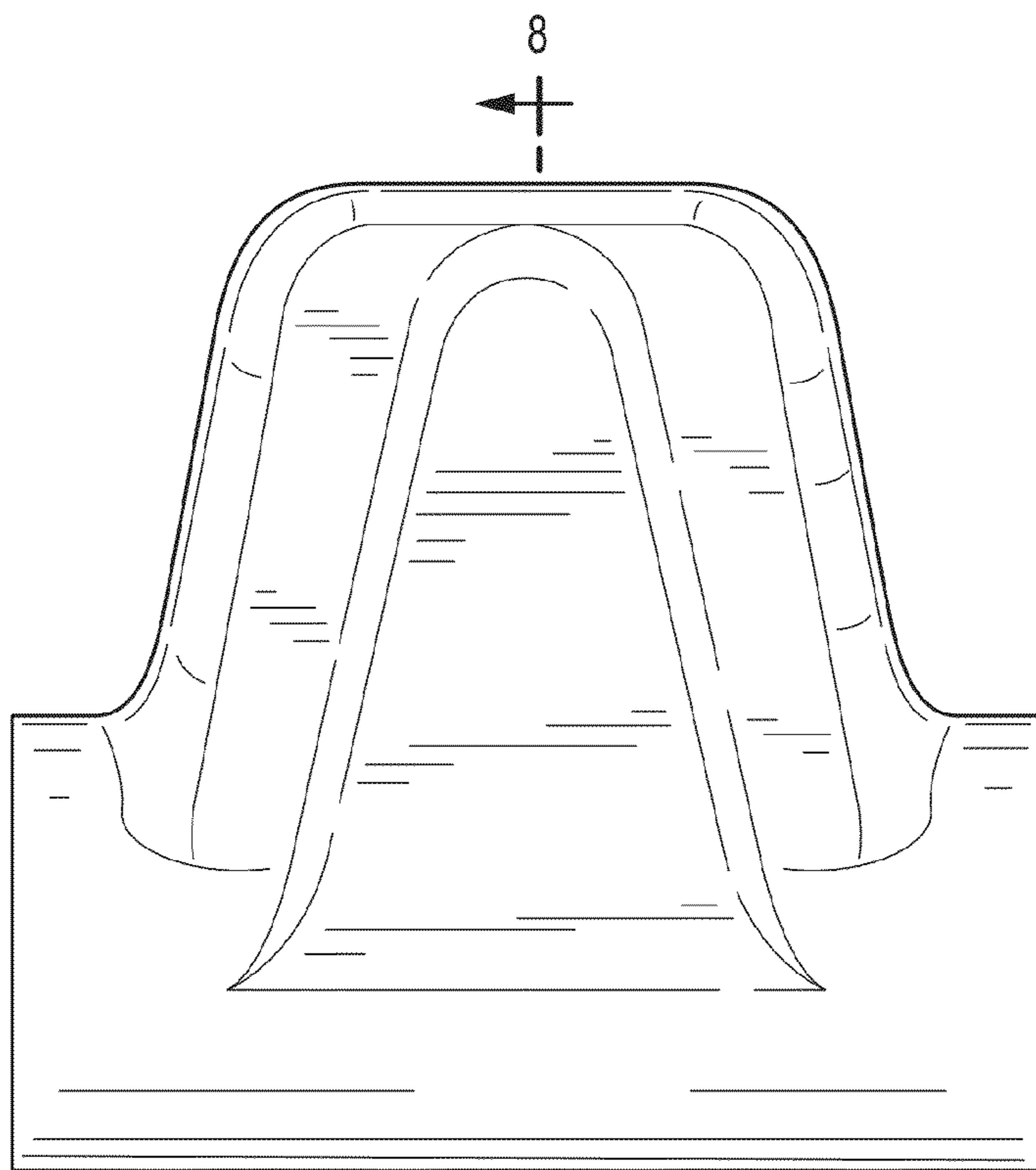
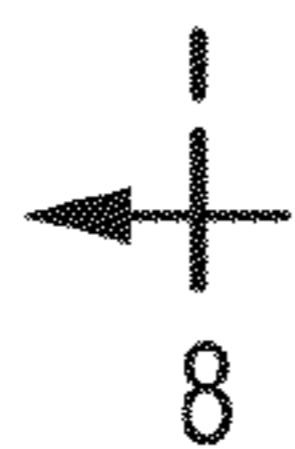


FIG. 3



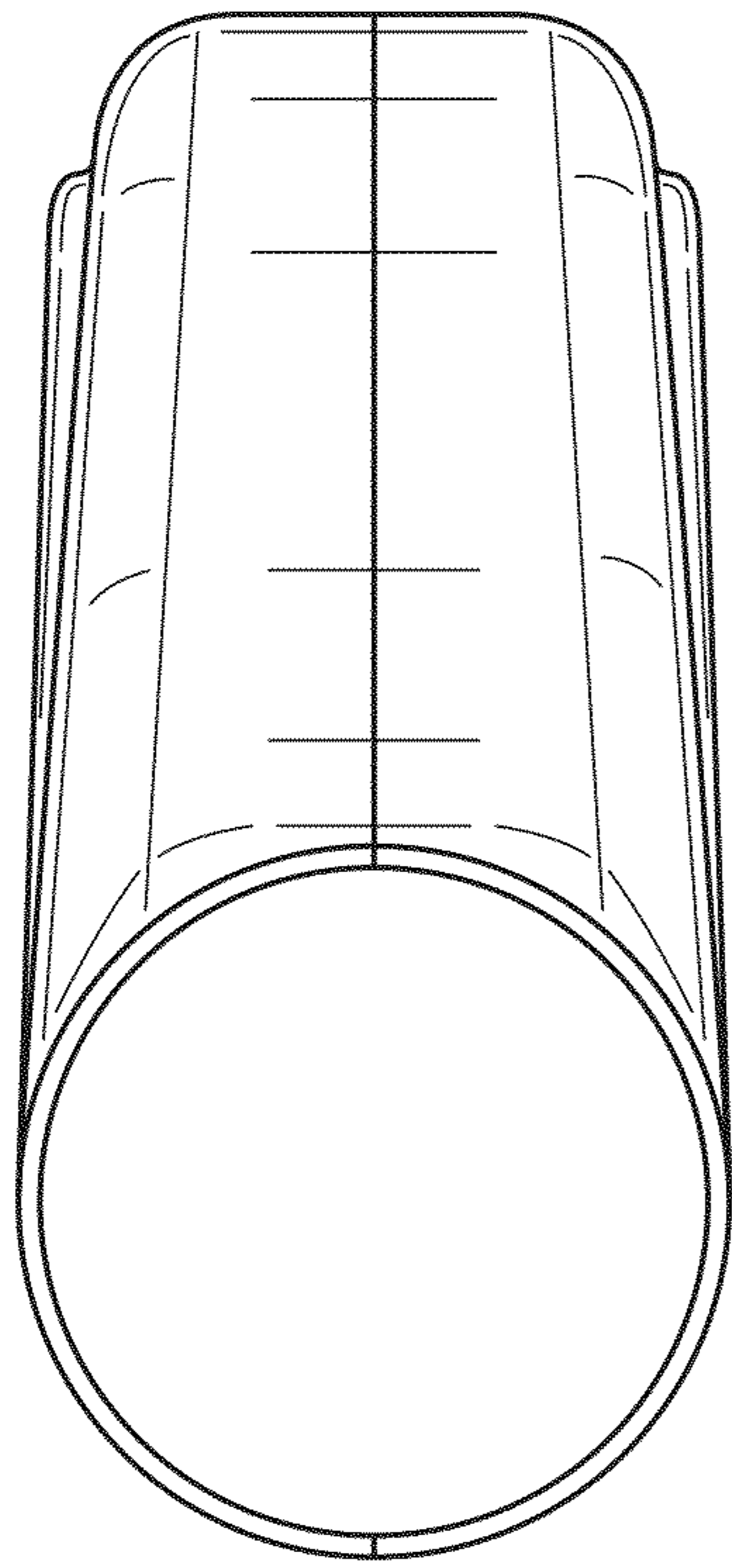


FIG.4

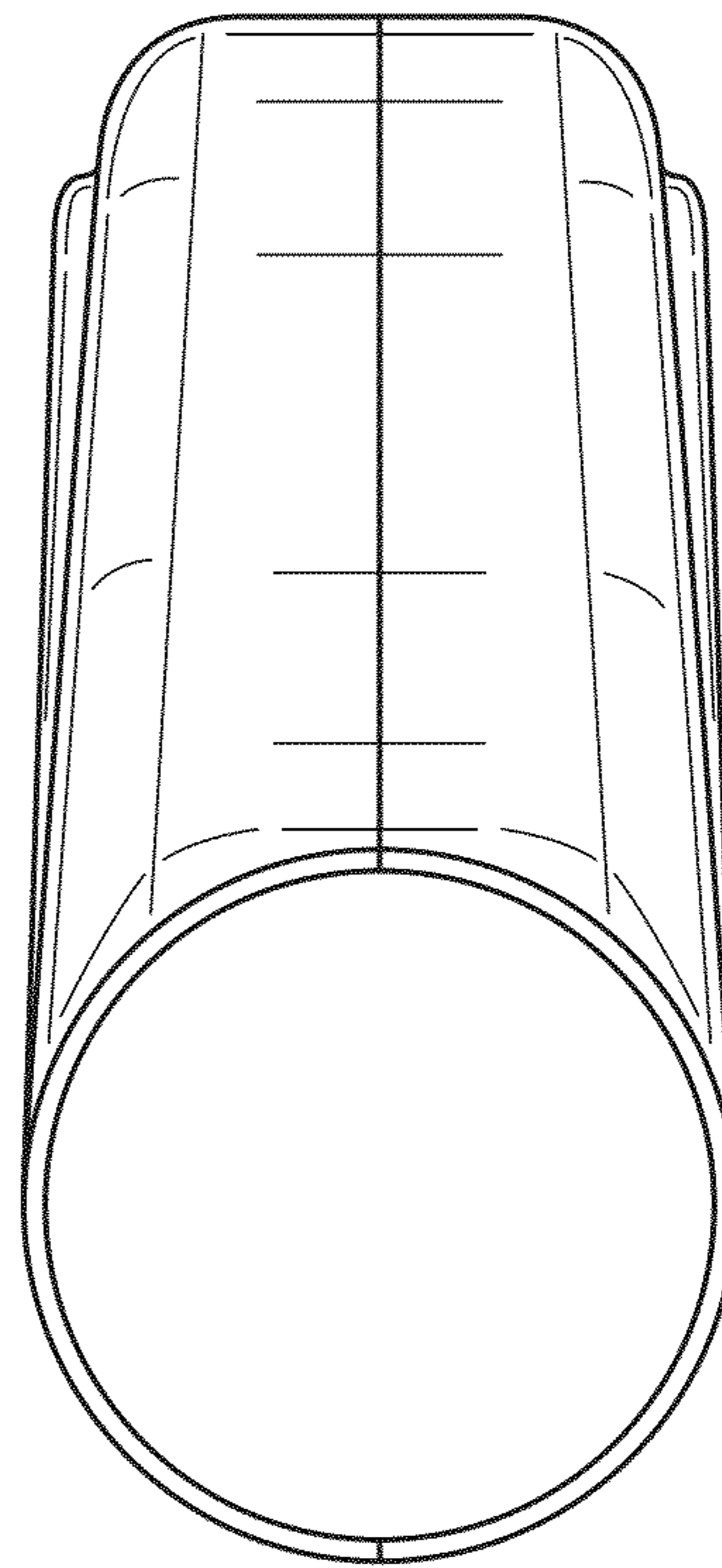


FIG.5

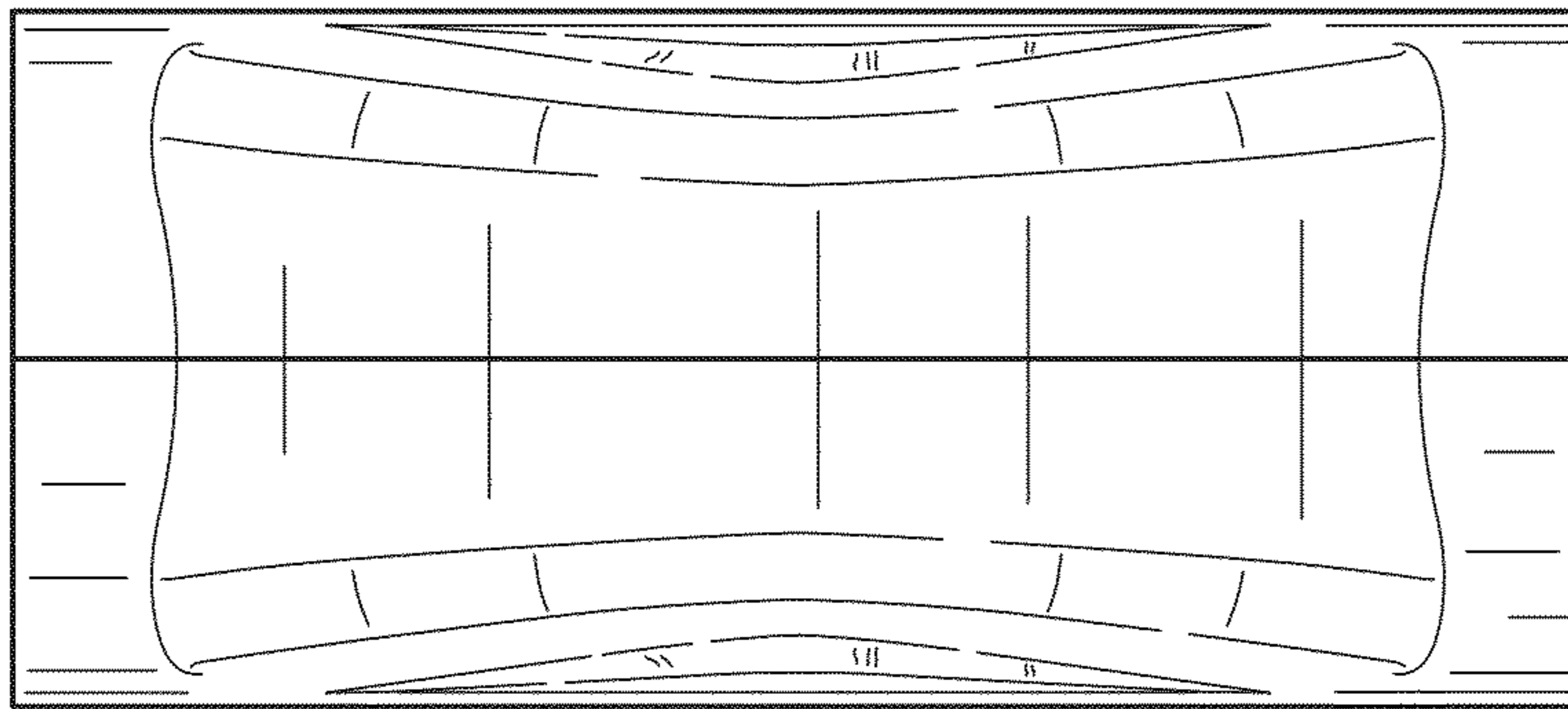


FIG. 6

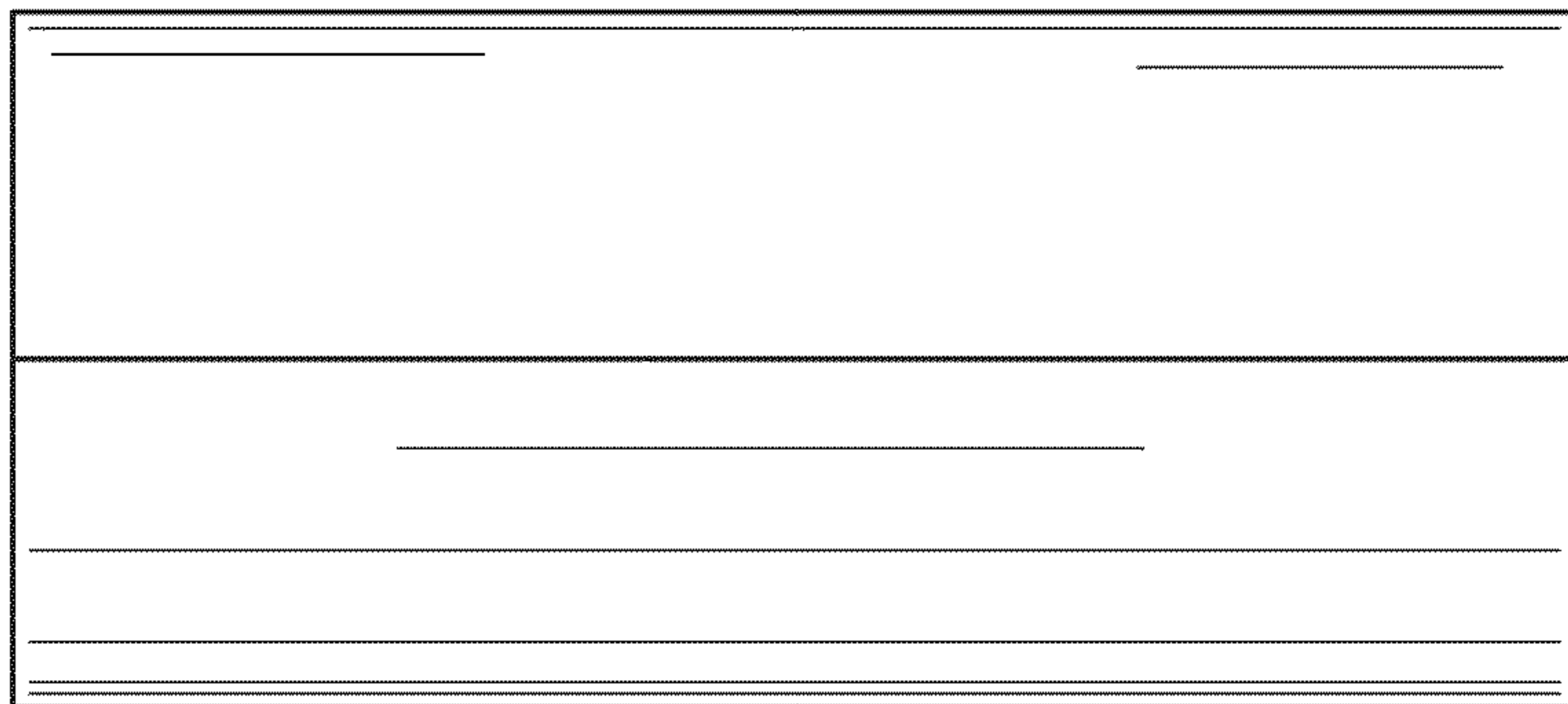


FIG. 7

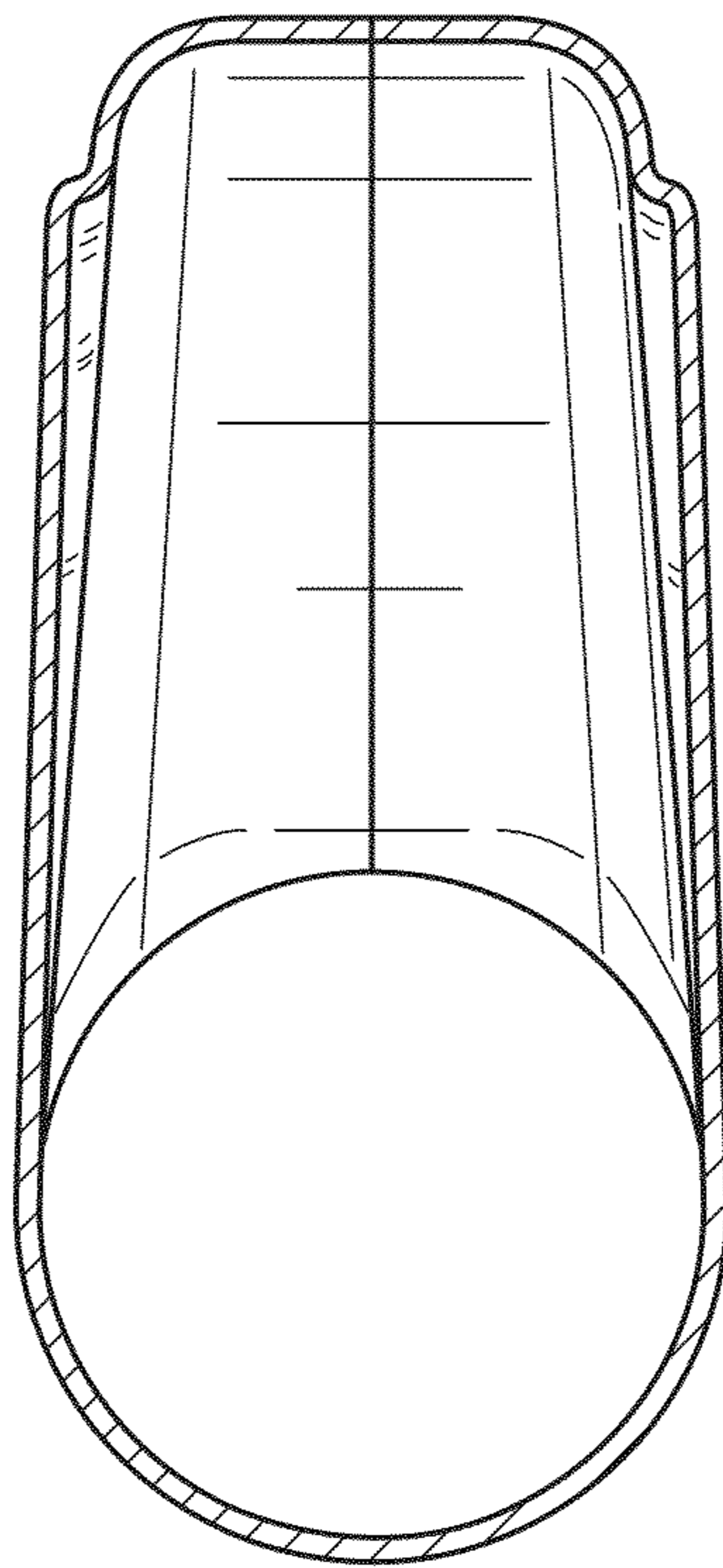


FIG.8

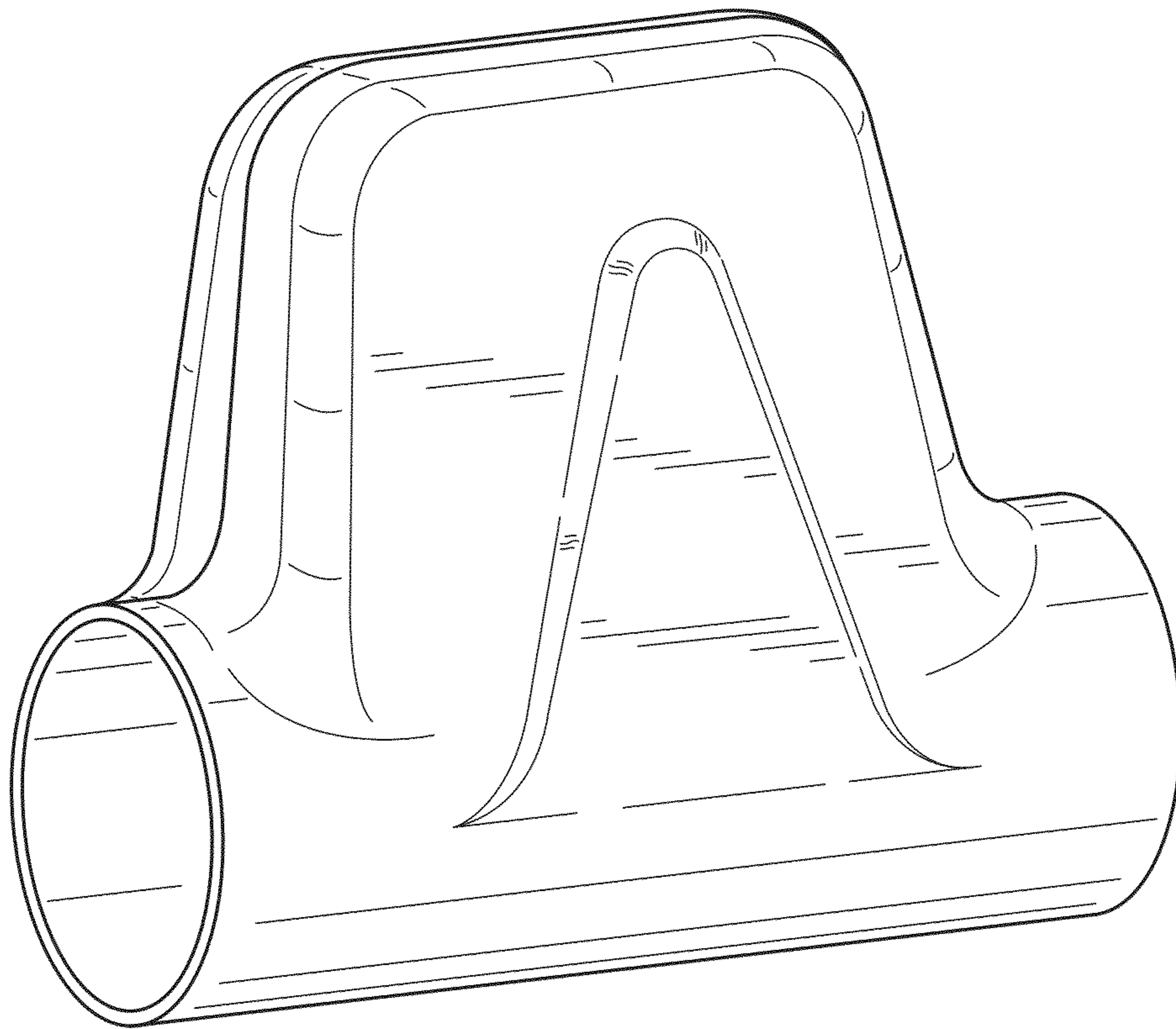


FIG.9

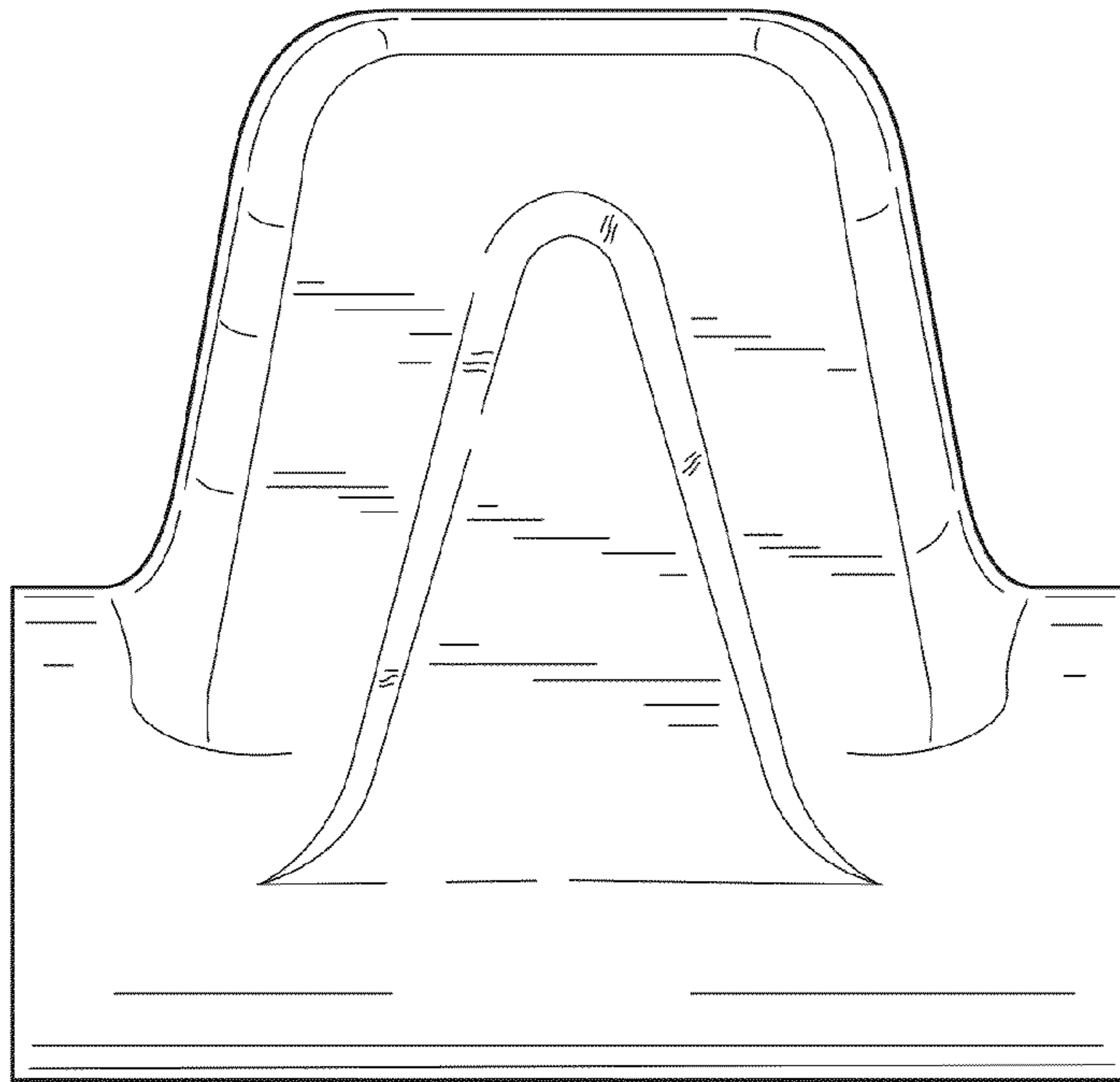


FIG.10

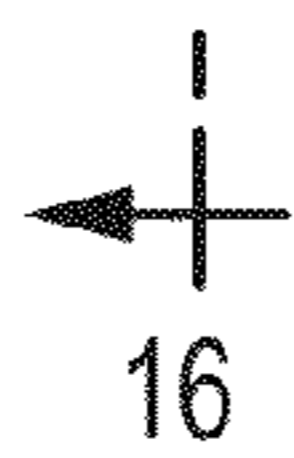
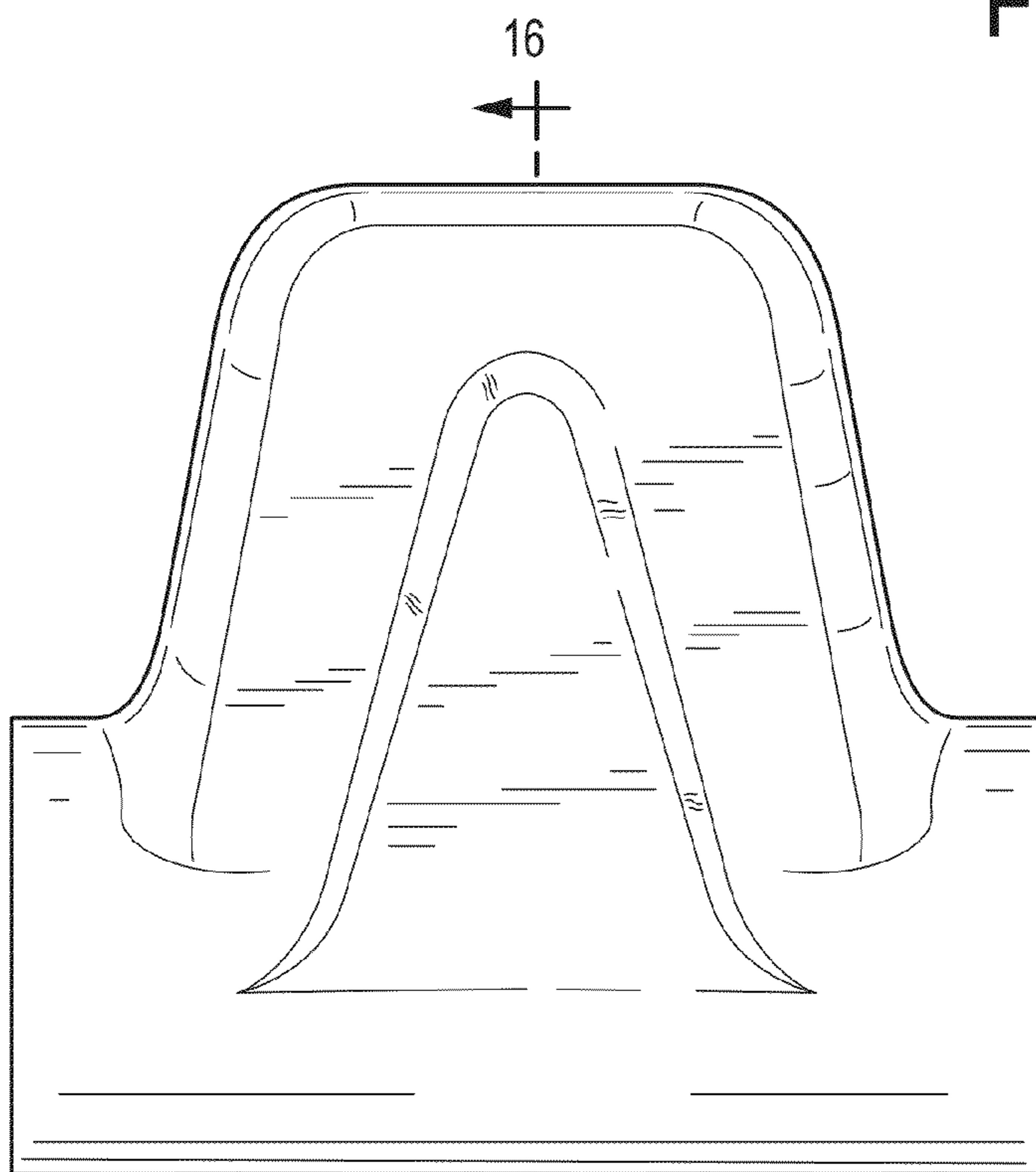


FIG.11

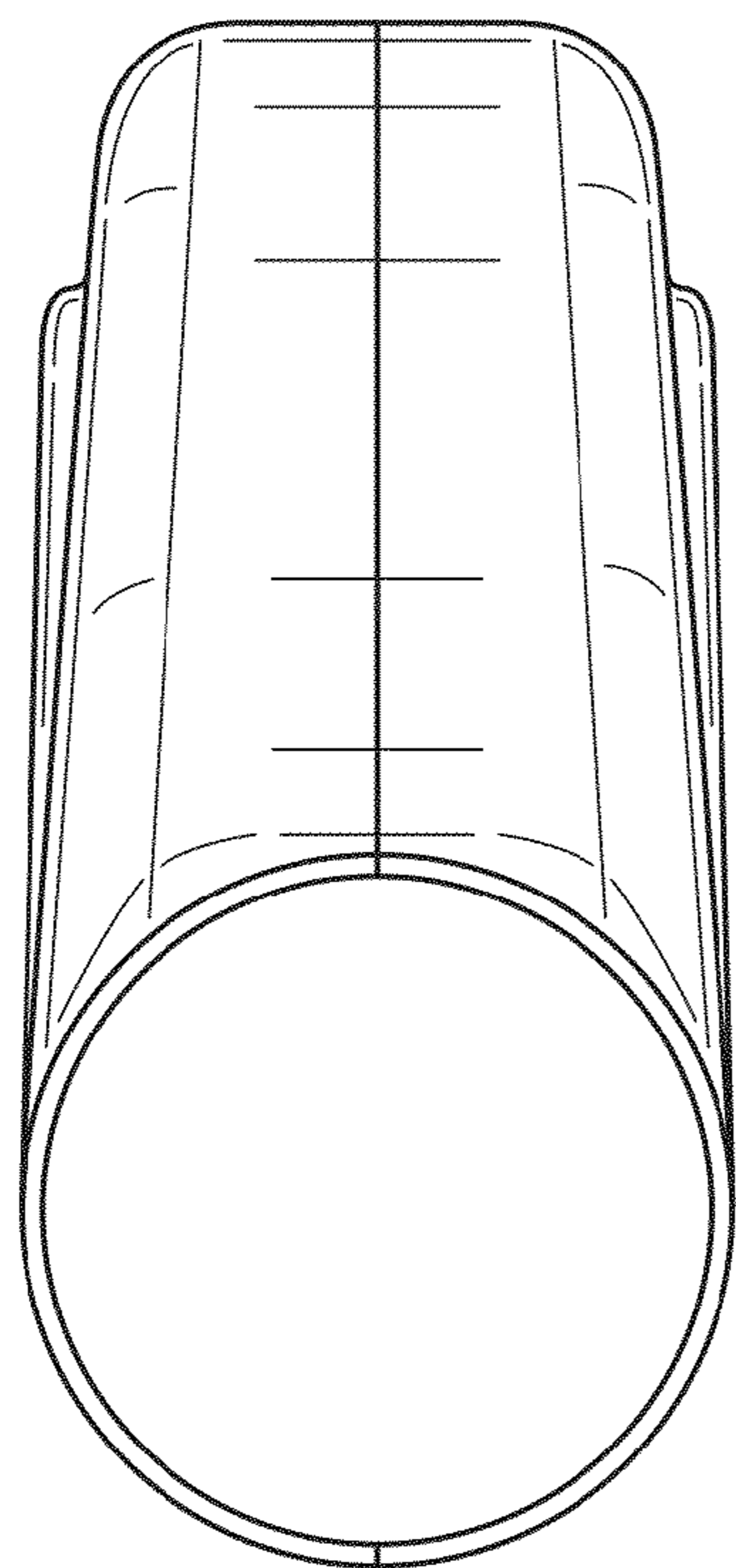


FIG. 12

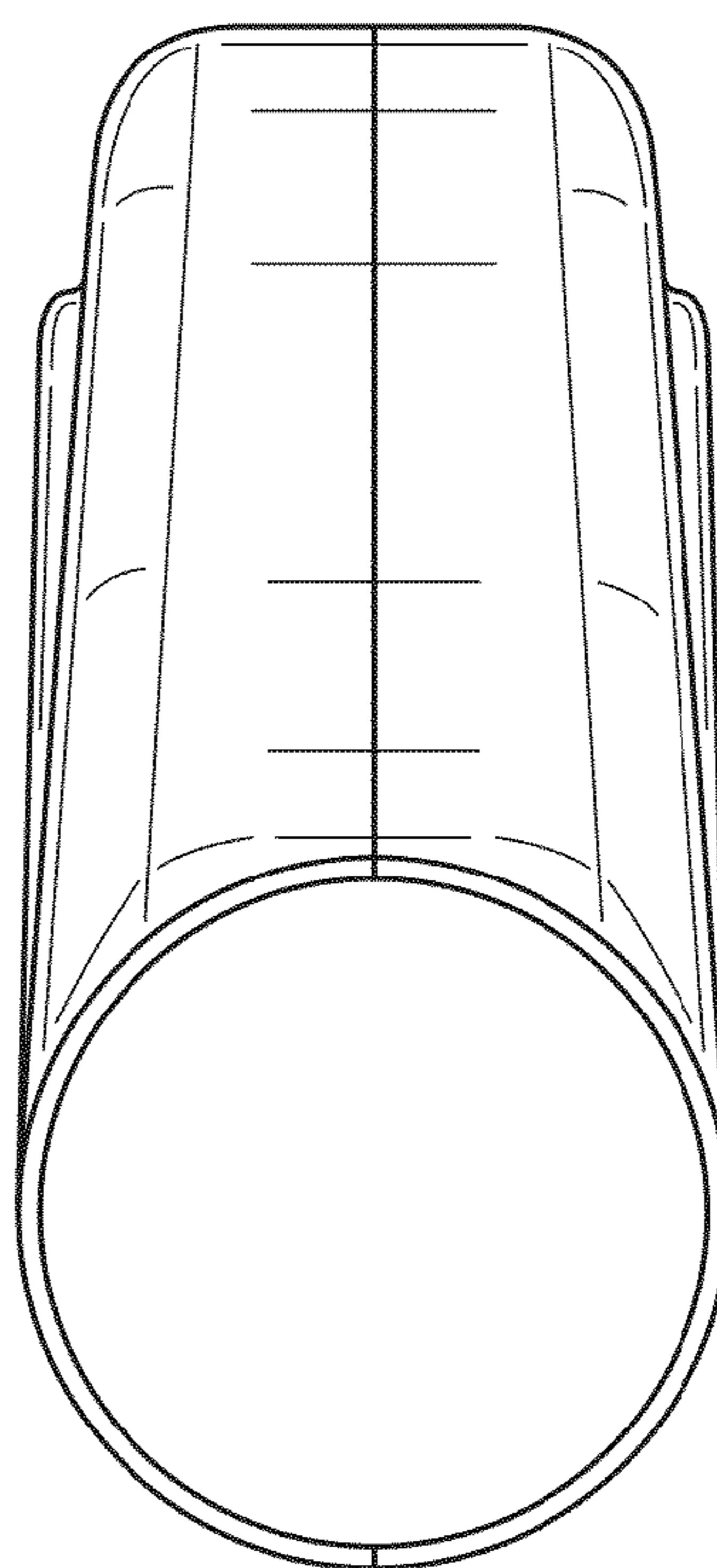


FIG. 13

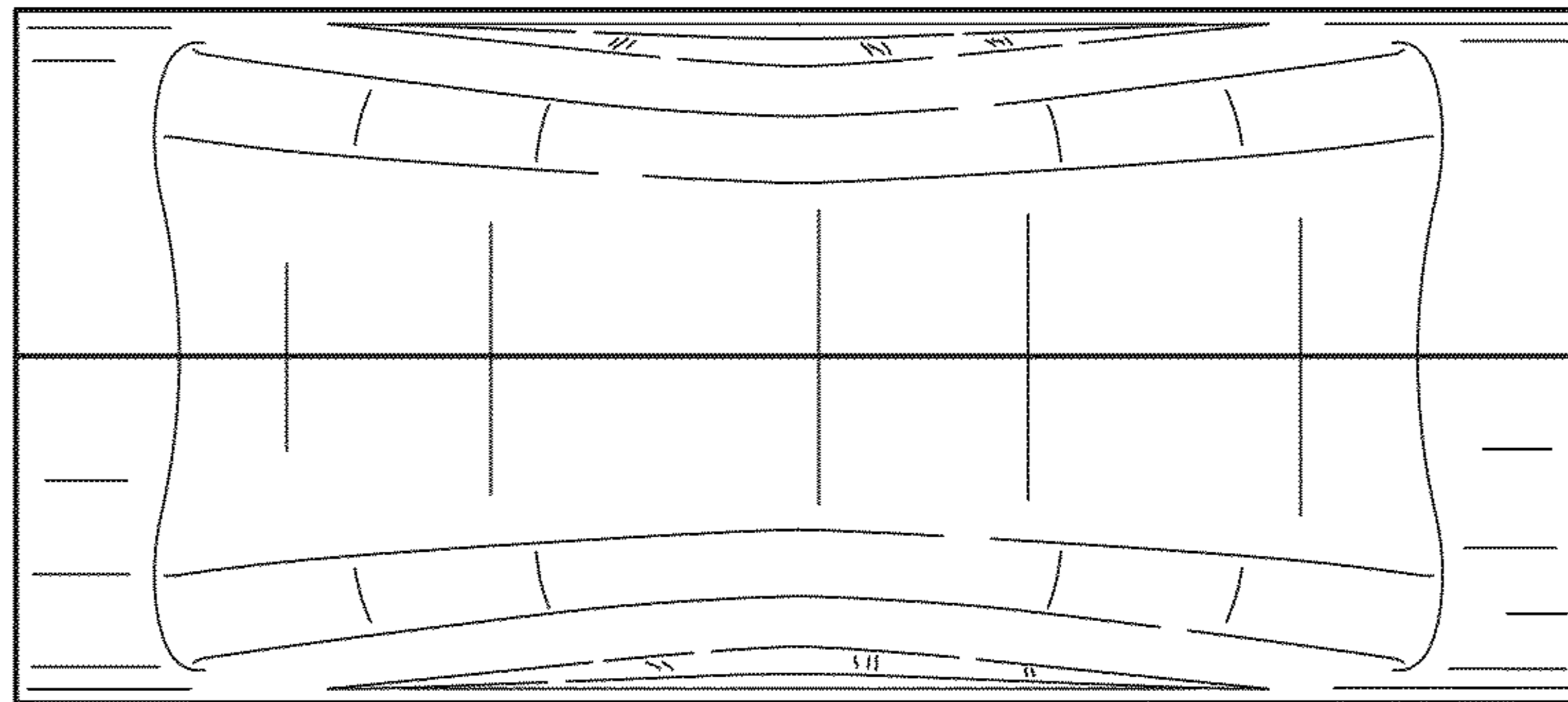


FIG. 14

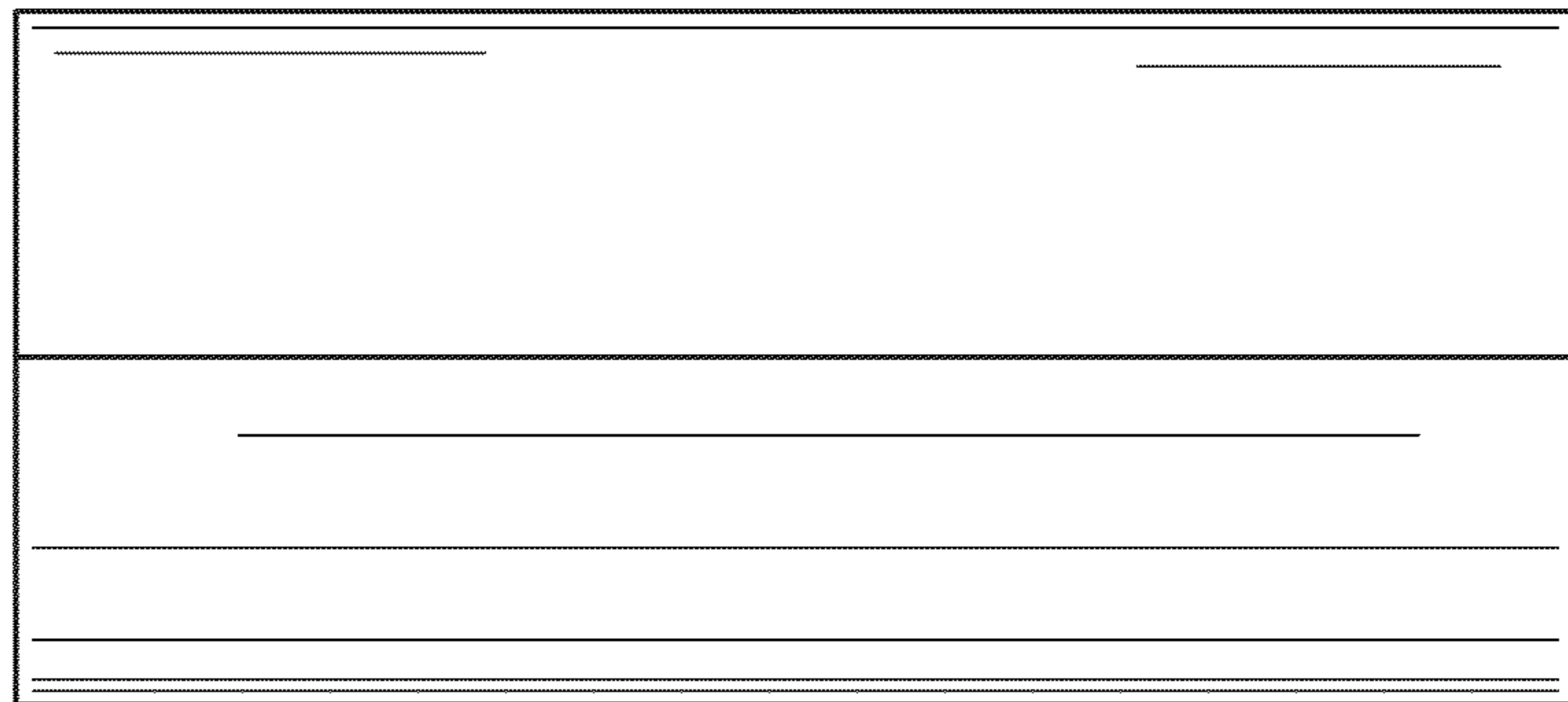


FIG. 15

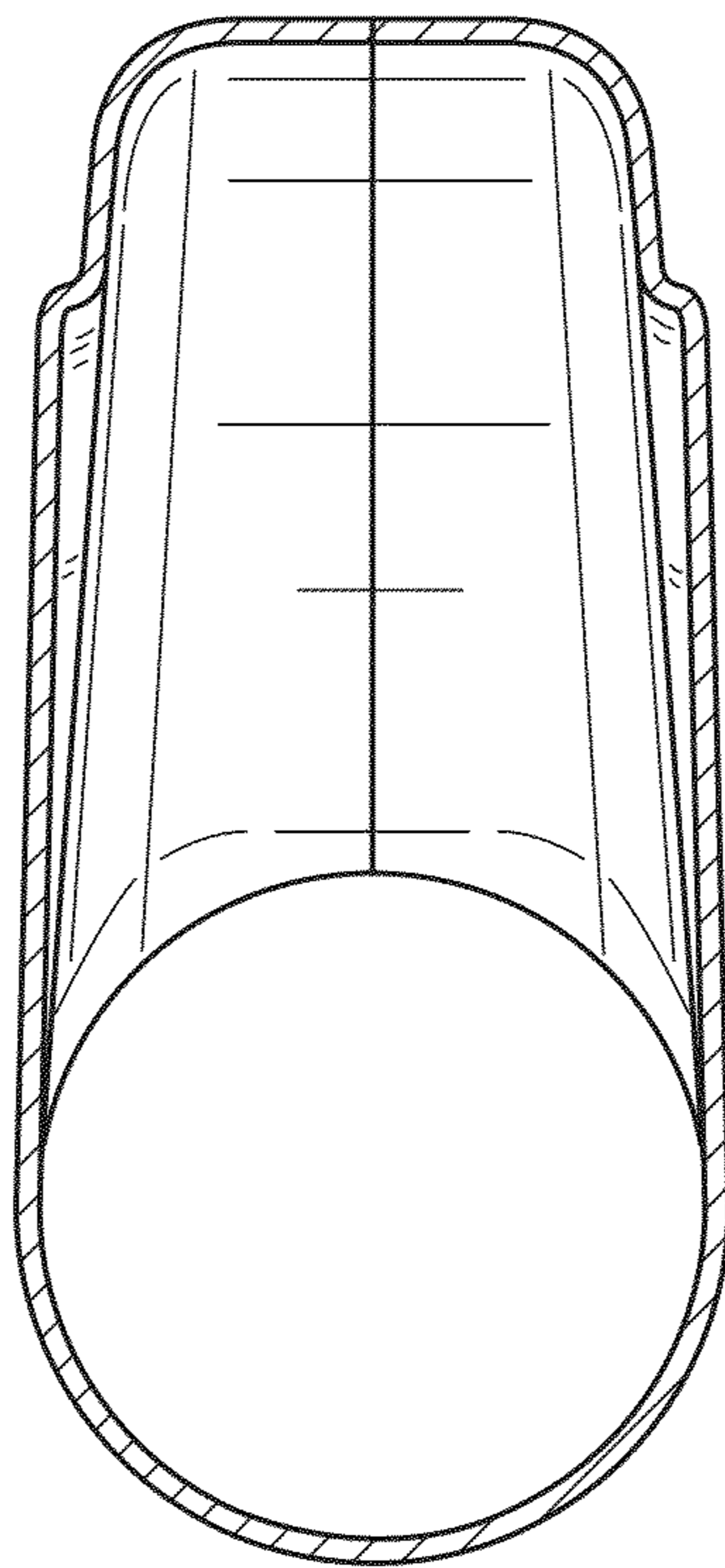


FIG.16