



US00D741736S

(12) **United States Design Patent**  
**Hagendoorn**

(10) **Patent No.:** **US D741,736 S**  
(45) **Date of Patent:** **\*\* Oct. 27, 2015**

(54) **WEIGHING HOOK**

(71) Applicant: **Meyn Beheer B.V.**, Oostzaan (NL)

(72) Inventor: **Jan Willem Hagendoorn**, Oostzaan (NL)

(73) Assignee: **Meyn Beheer B.V.**, Oostzaan (NL)

(\*\*) Term: **14 Years**

(21) Appl. No.: **29/507,037**

(22) Filed: **Oct. 23, 2014**

(30) **Foreign Application Priority Data**

Apr. 25, 2014 (EM) ..... 002452904-0001

(51) **LOC (10) Cl.** ..... **10-04**

(52) **U.S. Cl.**

USPC ..... **D10/89**

(58) **Field of Classification Search**

USPC ..... D10/87-94; 177/1-264

CPC ..... G01G 3/00-3/18; G01G 7/00-7/06;

G01G 5/00-5/06; G01G 1/00-1/42; G01G

9/00-9/005; G01G 11/00-11/20; G01G

13/00-13/34; G01G 15/00-15/047; G01G

17/00-17/08

See application file for complete search history.

(56) **References Cited**

U.S. PATENT DOCUMENTS

D345,517 S \* 3/1994 Badcock ..... D10/87

\* cited by examiner

*Primary Examiner* — Antoine D Davis

(74) *Attorney, Agent, or Firm* — D. Peter Hochberg; Sean F. Mellino

(57) **CLAIM**

The ornamental design for a weighing hook, as shown and described.

**DESCRIPTION**

FIG. 1 is a front perspective view of the weighing hook according to the present invention;

FIG. 2 is a rear perspective view of the weighing hook according to the present invention as shown in FIG. 1;

FIG. 3 is a front view of the weighing hook according to the present invention as shown in FIG. 1;

FIG. 4 is a rear view of the weighing hook according to the present invention as shown in FIG. 1;

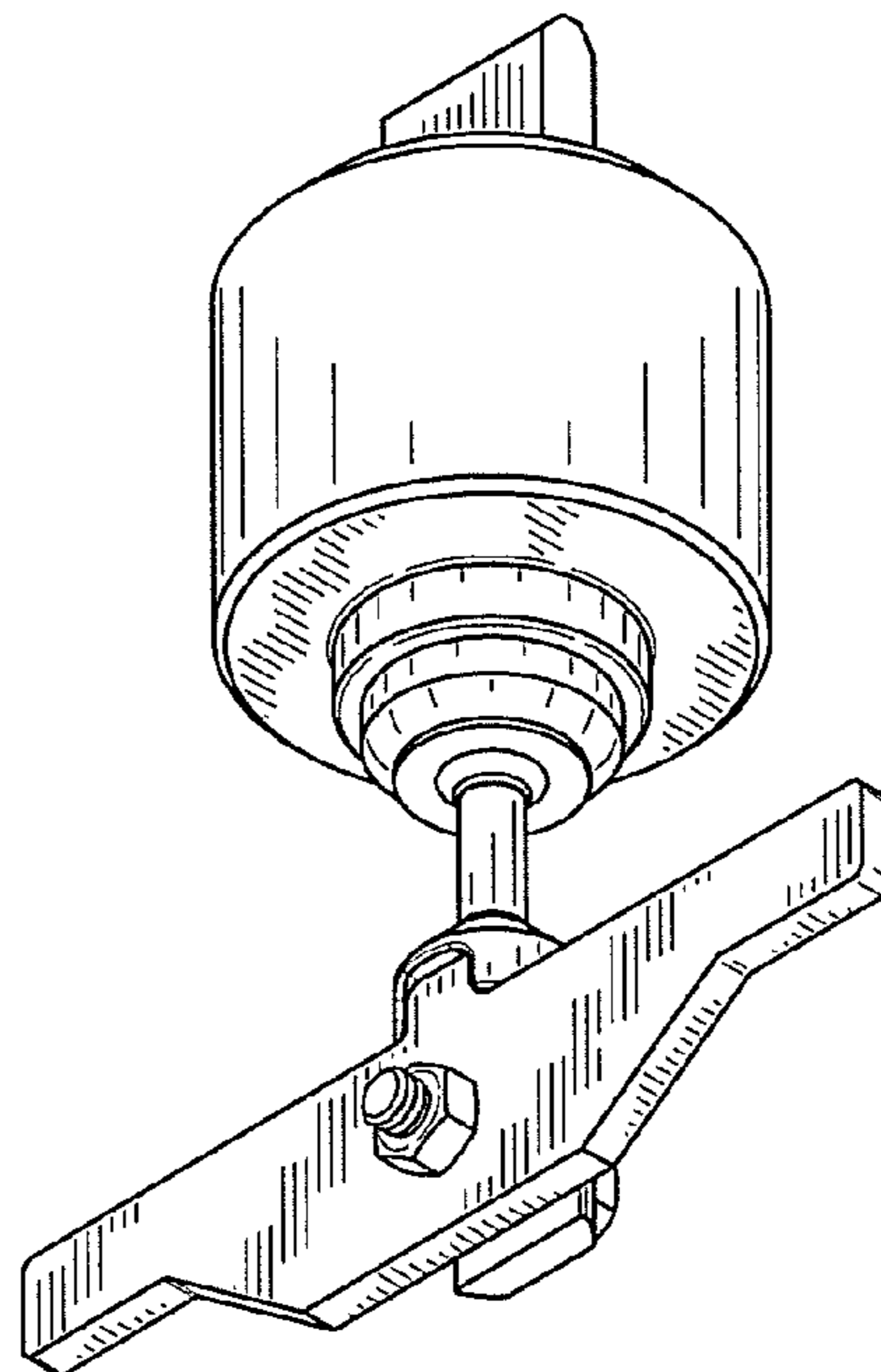
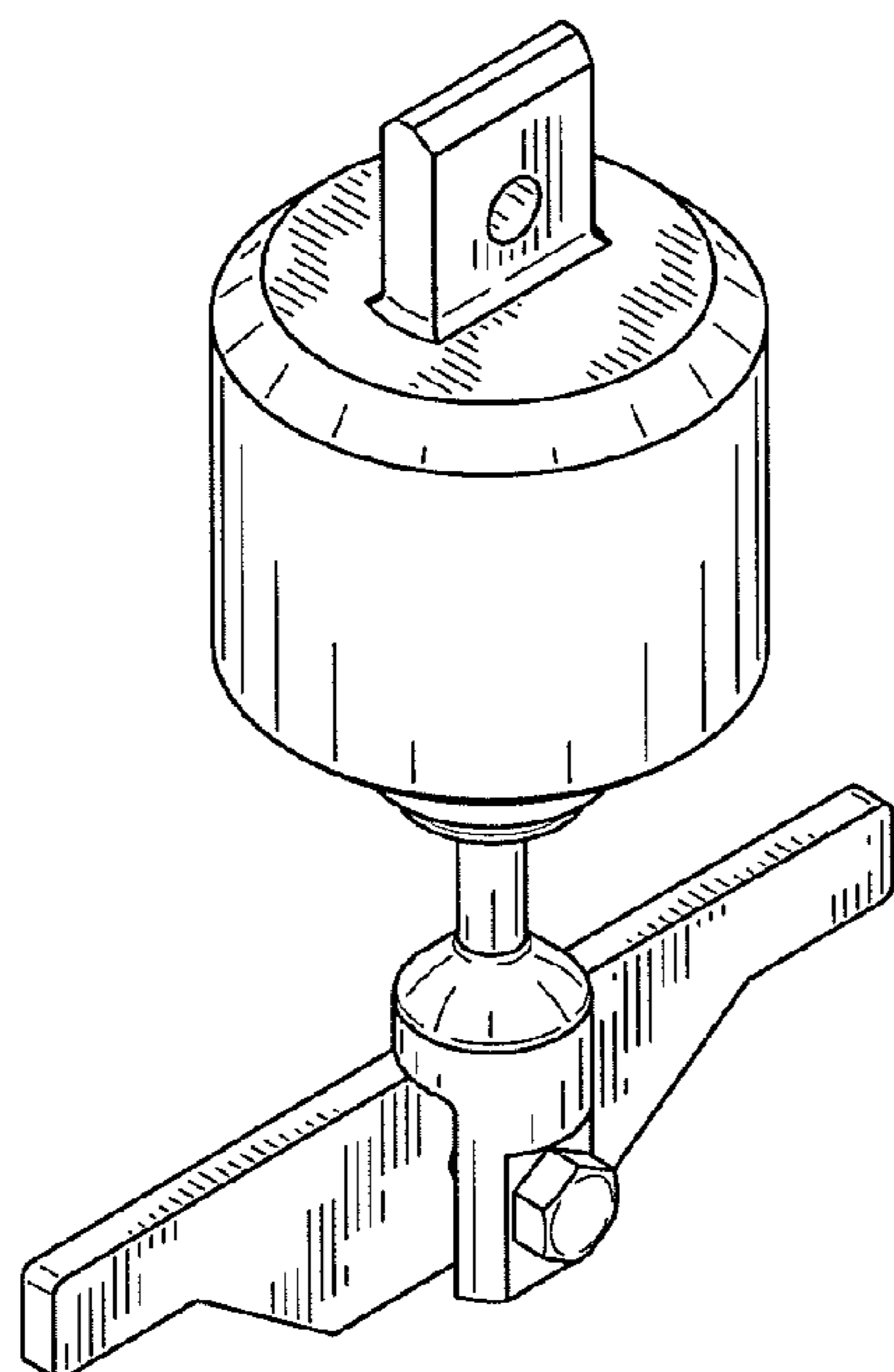
FIG. 5 is a side view of the weighing hook according to the present invention as shown in FIG. 1;

FIG. 6 is a side view of the weighing hook according to the present invention as shown in FIG. 1, shown from the opposing side view as that shown in FIG. 5;

FIG. 7 is a top view of the weighing hook according to the present invention as shown in FIG. 1; and,

FIG. 8 is a bottom view of the weighing hook according to the present invention as shown in FIG. 1.

**1 Claim, 3 Drawing Sheets**



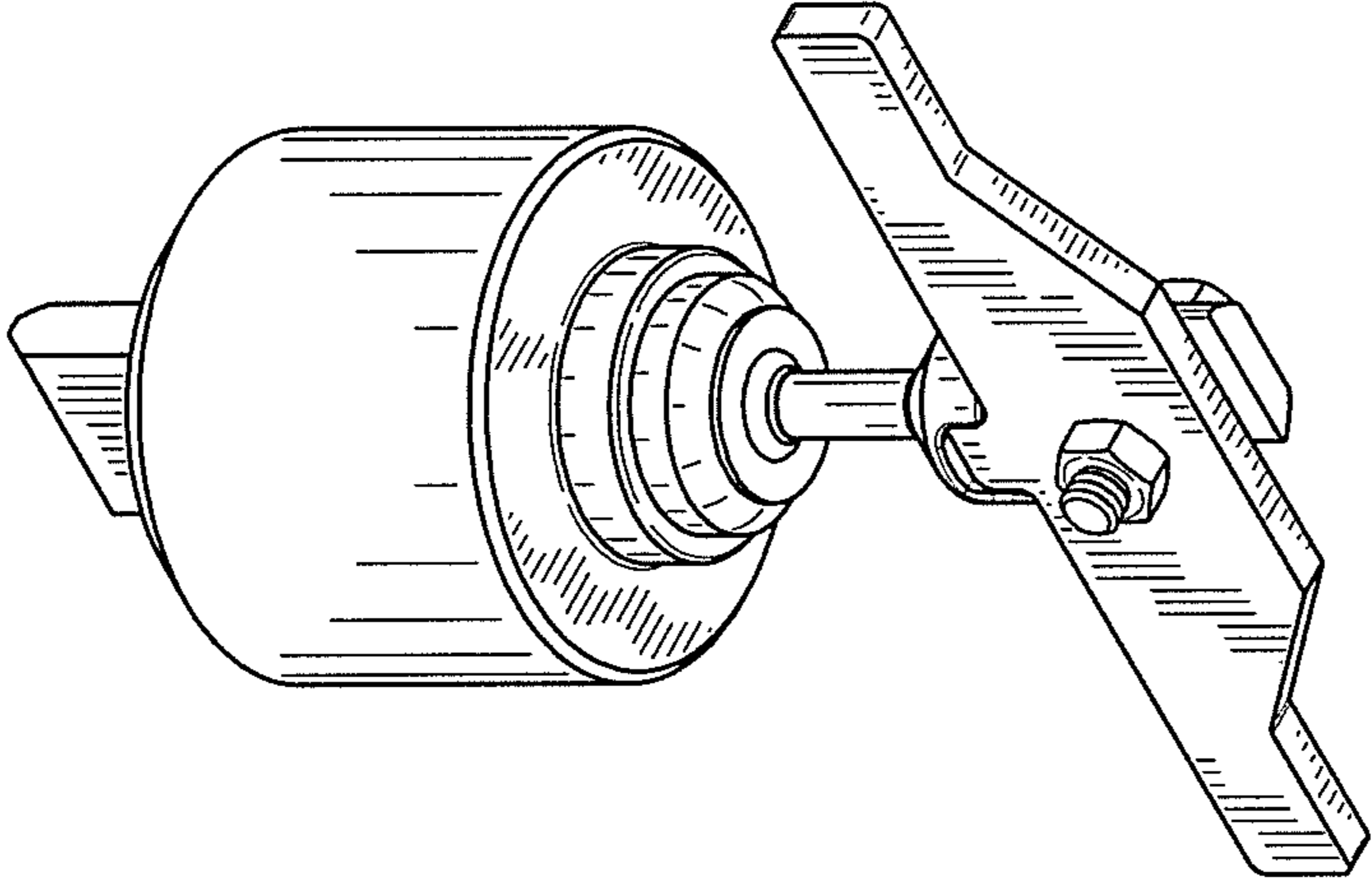


FIG-2

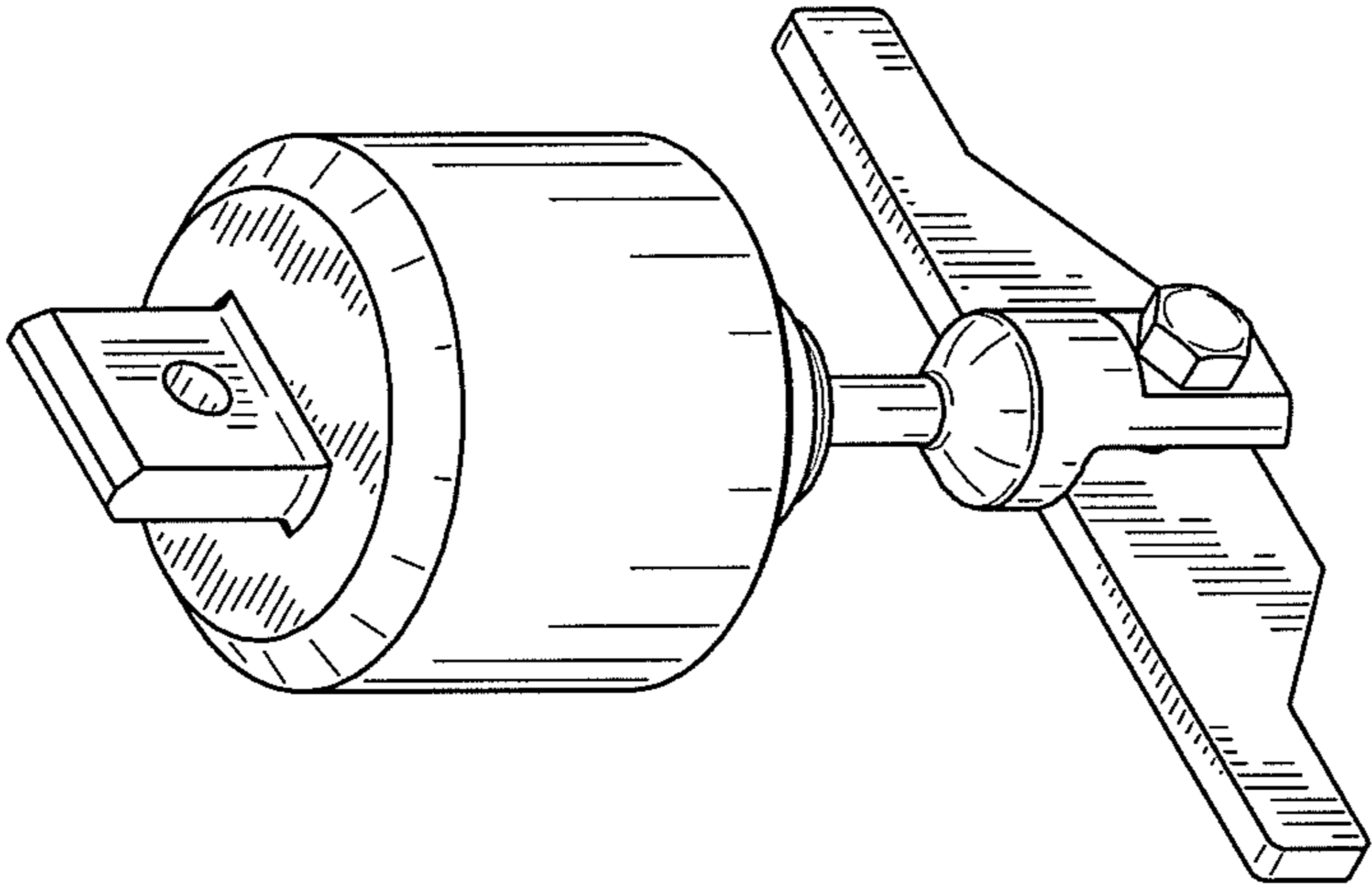


FIG-1

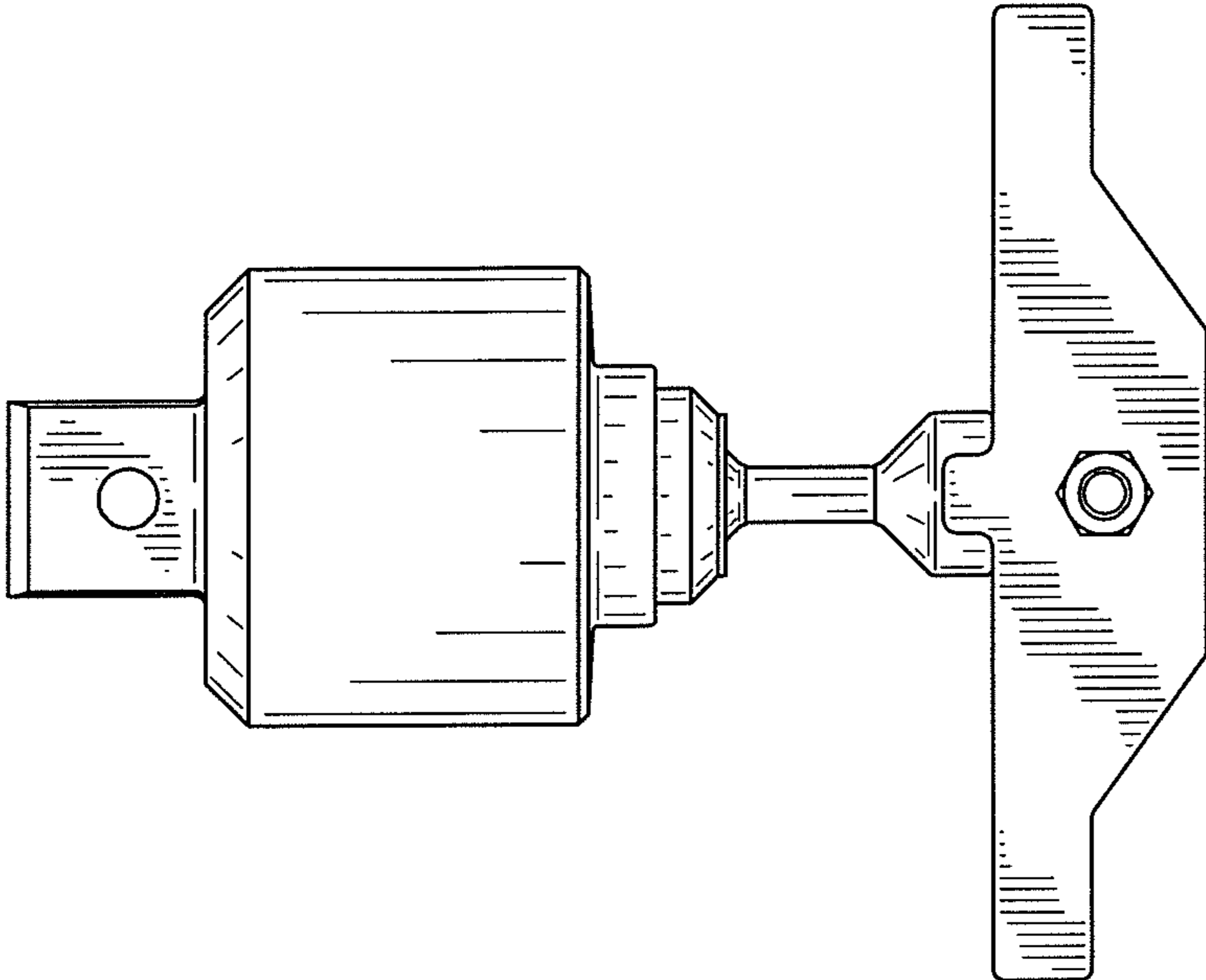


FIG-4

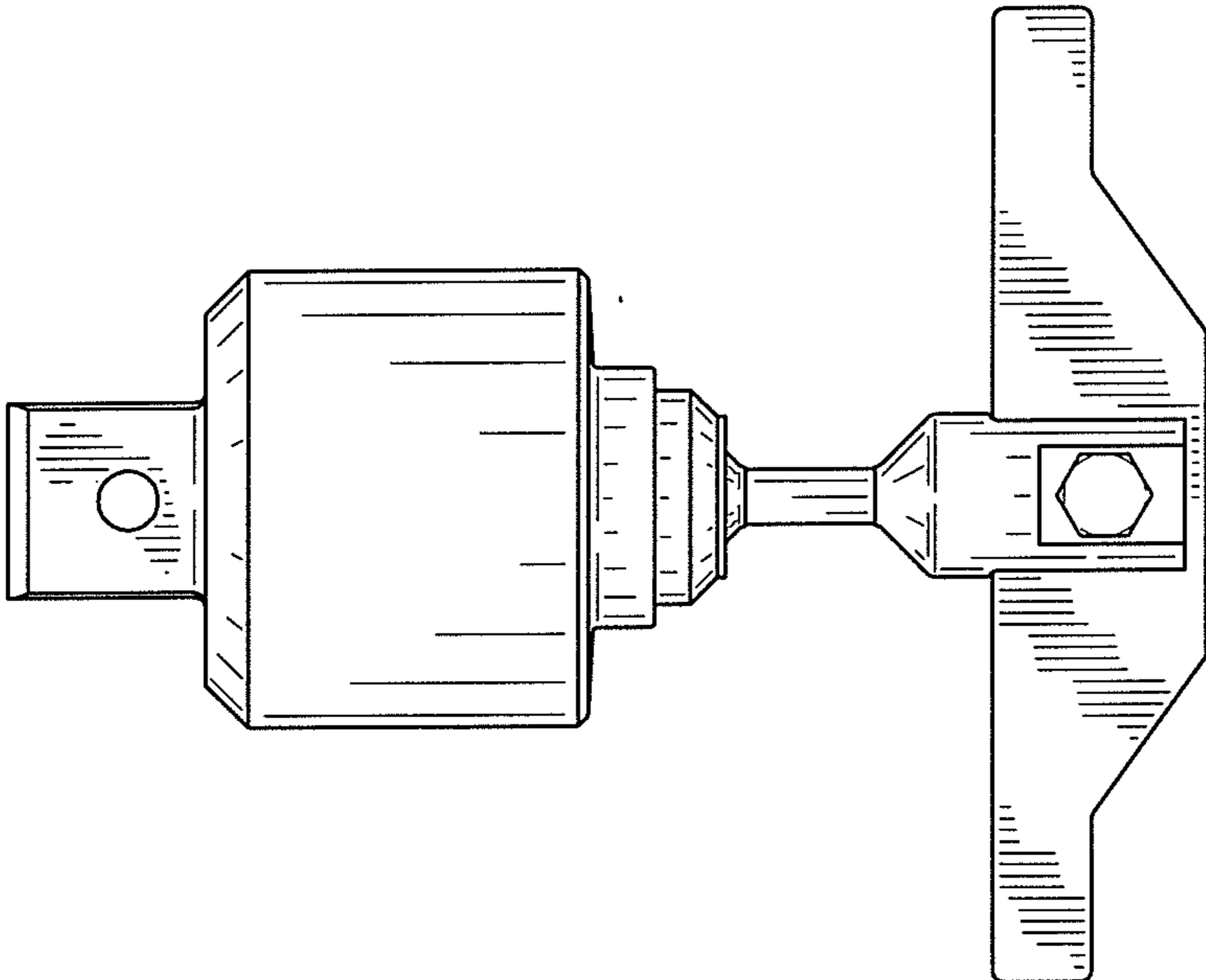


FIG-3

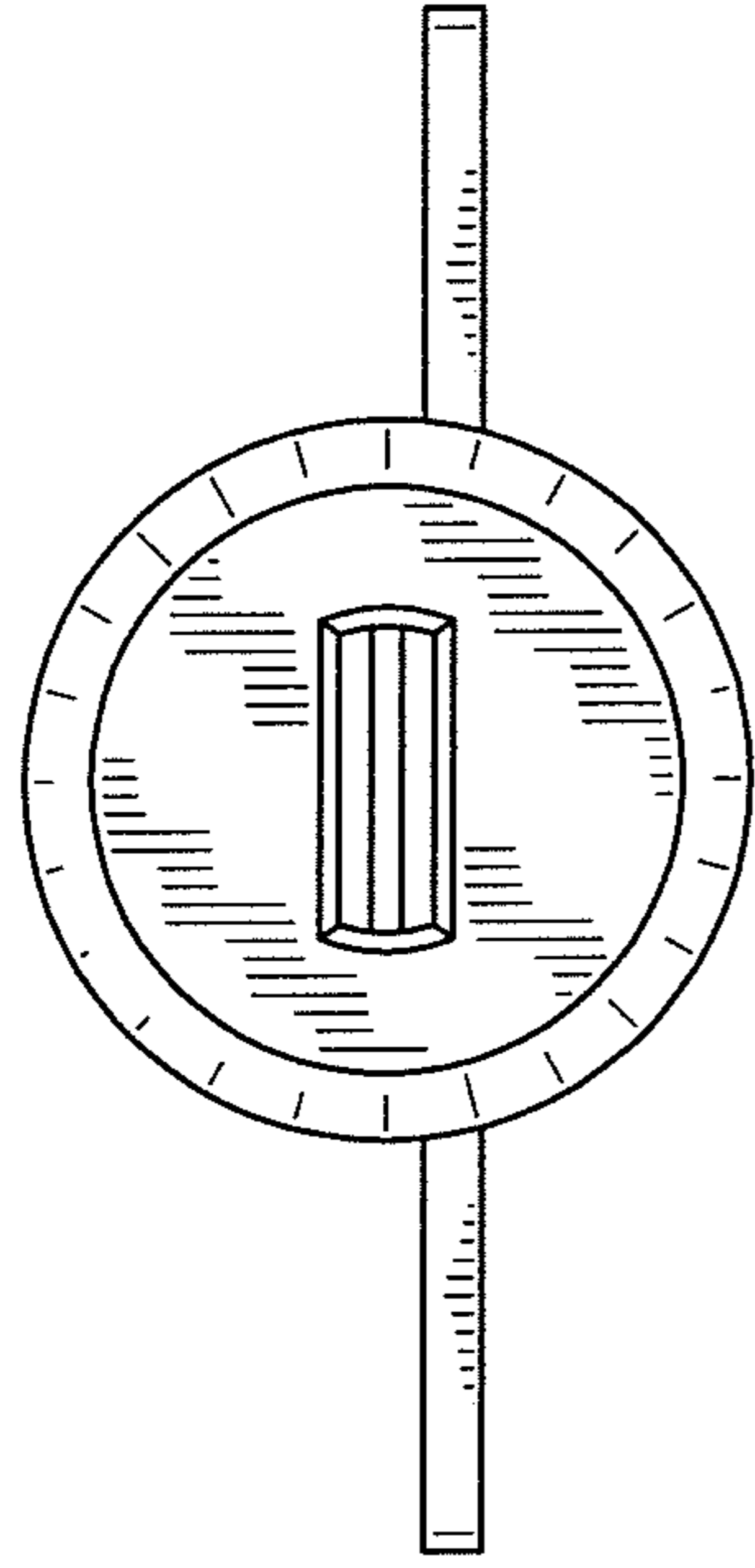


FIG-7

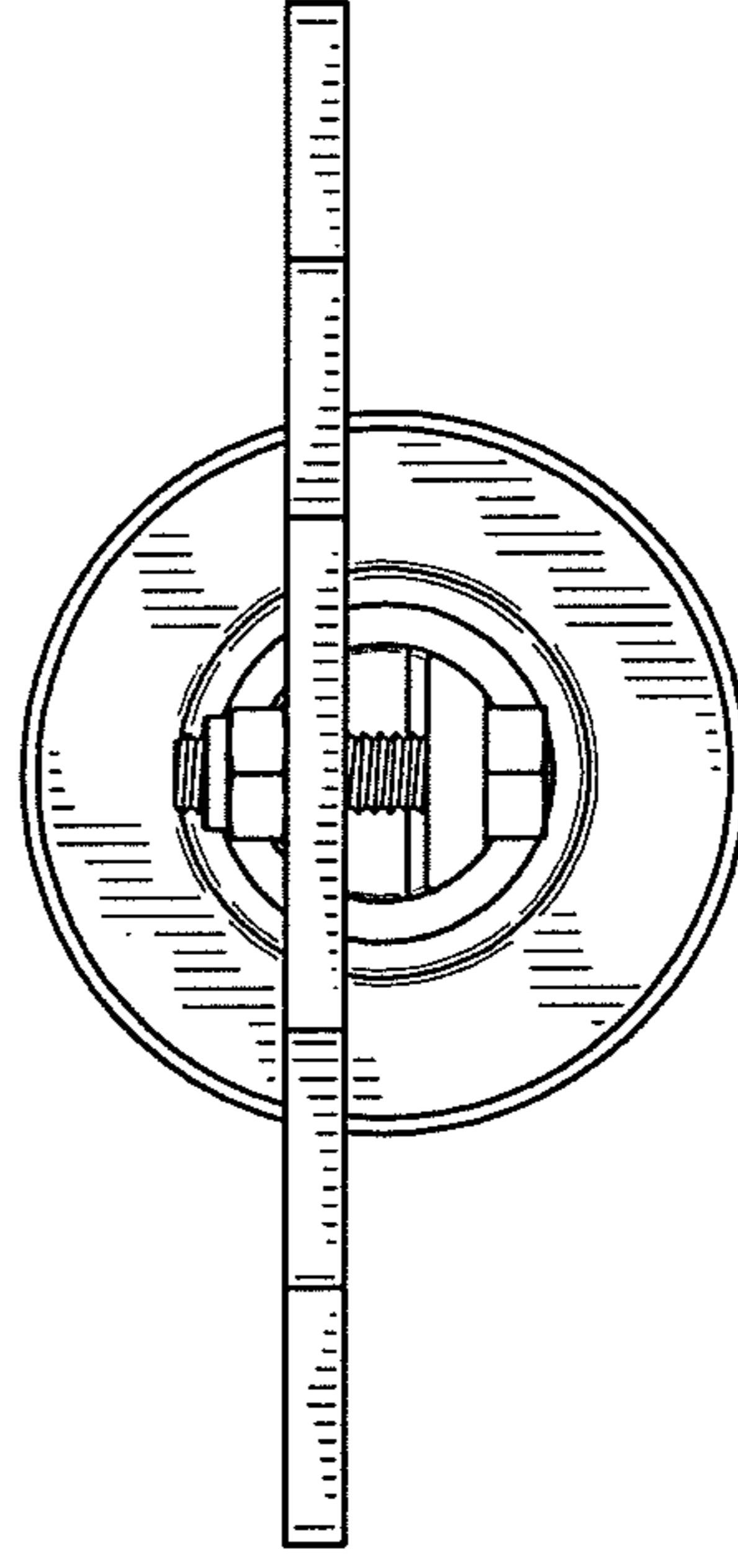


FIG-8

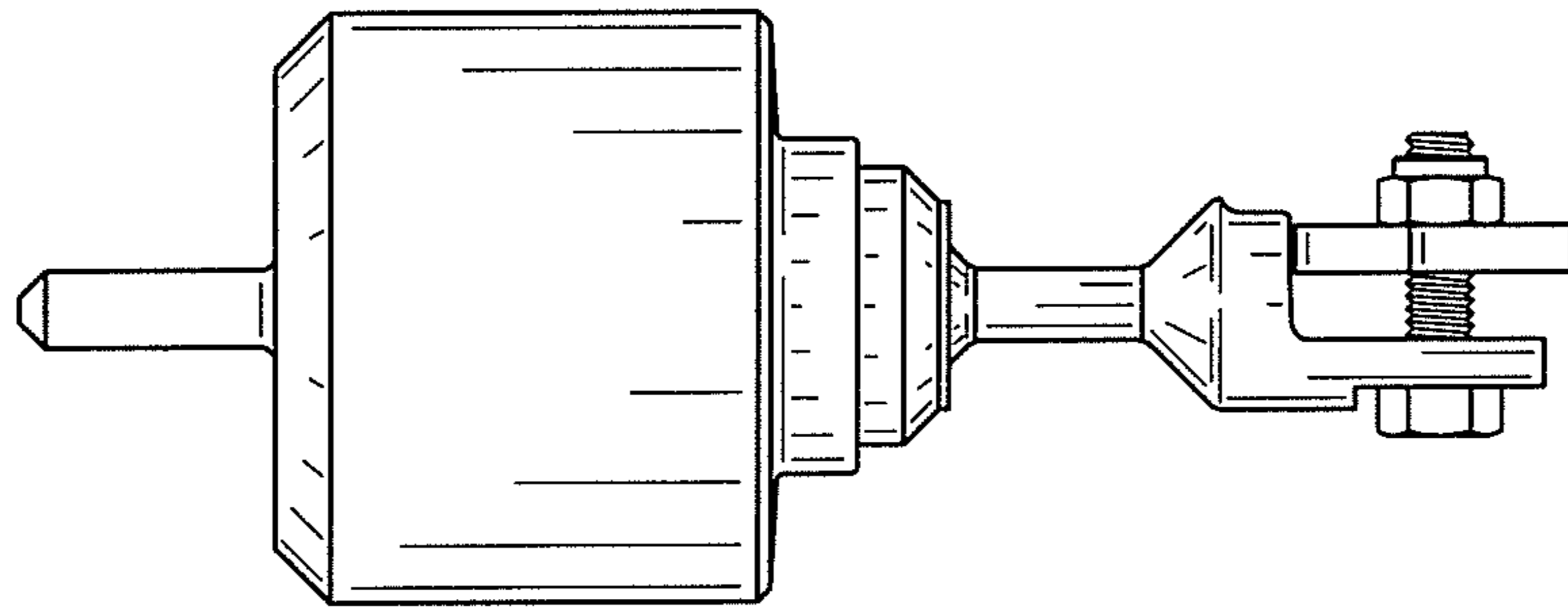


FIG-6

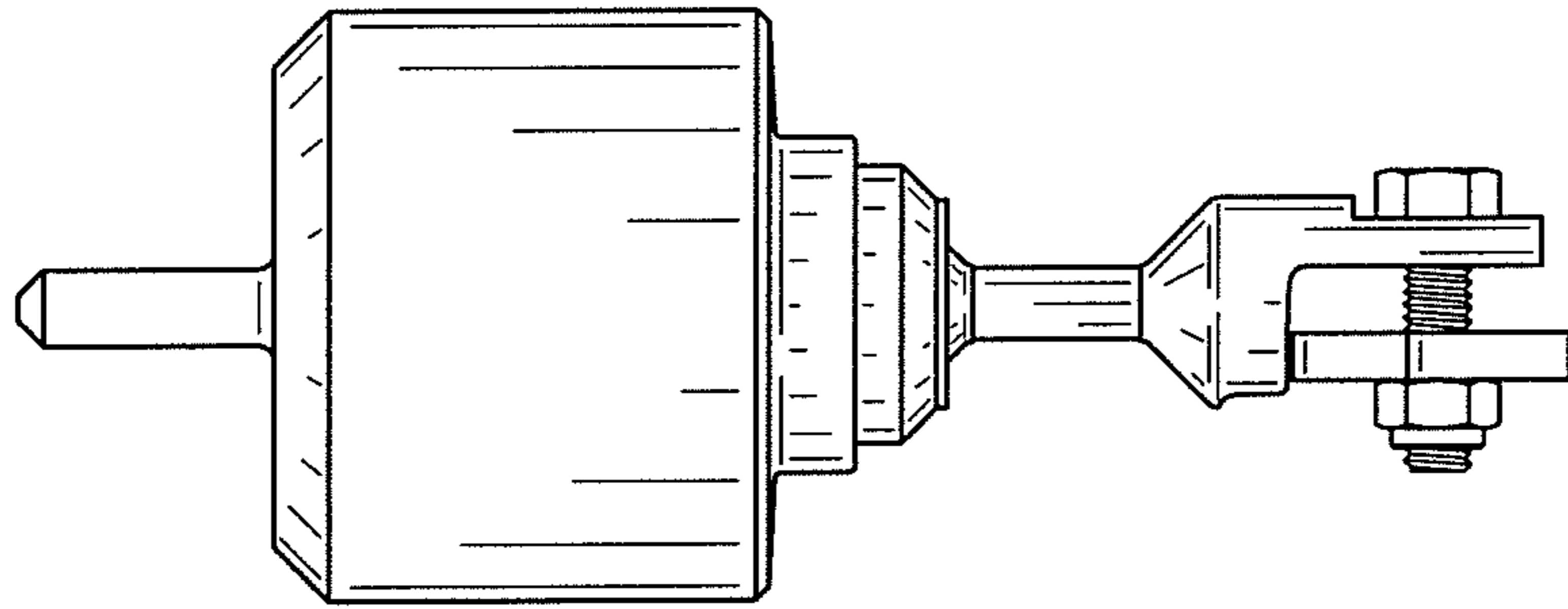


FIG-5