



US00D741734S

(12) **United States Design Patent**
Tomita et al.

(10) **Patent No.:** **US D741,734 S**
(45) **Date of Patent:** **** Oct. 27, 2015**

(54) **PRESSURE SENSOR**

(71) Applicant: **FUJIKURA LTD.**, Koto-ku, Tokyo (JP)

(72) Inventors: **Michikazu Tomita**, Sakura (JP); **Yuki Suto**, Sakura (JP)

(73) Assignee: **FUJIKURA LTD.**, Tokyo (JP)

(**) Term: **14 Years**

(21) Appl. No.: **29/500,054**

(22) Filed: **Aug. 21, 2014**

(30) **Foreign Application Priority Data**

Feb. 28, 2014 (JP) 2014-004303

(51) **LOC (10) Cl.** **10-04**

(52) **U.S. Cl.**
USPC **D10/85**

(58) **Field of Classification Search**
USPC D10/83-85
CPC G01L 1/00-1/26; G01L 3/00-3/26;
G01L 5/00-5/288; G01L 7/00-7/24; G01L
9/00-9/18; G01L 11/00-11/06; G01L 15/00;
G01L 13/00-13/06

See application file for complete search history.

(56) **References Cited**

U.S. PATENT DOCUMENTS

8,844,383 B2 * 9/2014 Liu et al. 73/862.621
D729,084 S * 5/2015 Tomita et al. D10/85
2012/0204652 A1 * 8/2012 Ho et al. 73/724

* cited by examiner

Primary Examiner — Antoine D Davis

(74) *Attorney, Agent, or Firm* — Sughrue Mion, PLLC

(57) **CLAIM**

The ornamental design for a pressure sensor, as shown and described.

DESCRIPTION

FIG. 1 is a top perspective view of a pressure sensor.

FIG. 2 is a bottom perspective view thereof.

FIG. 3 is a front elevation view thereof.

FIG. 4 is a rear elevation view thereof.

FIG. 5 is a top plan view thereof.

FIG. 6 is a bottom plan view thereof.

FIG. 7 is a left side elevation view thereof; and,

FIG. 8 is a right side elevation view thereof.

The portions of the pressure sensor shown in broken lines are for the purpose of showing environmental structure only and form no part of the claimed design.

The dot-dash lines show an unclaimed boundary which forms no part of the claimed design.

1 Claim, 8 Drawing Sheets

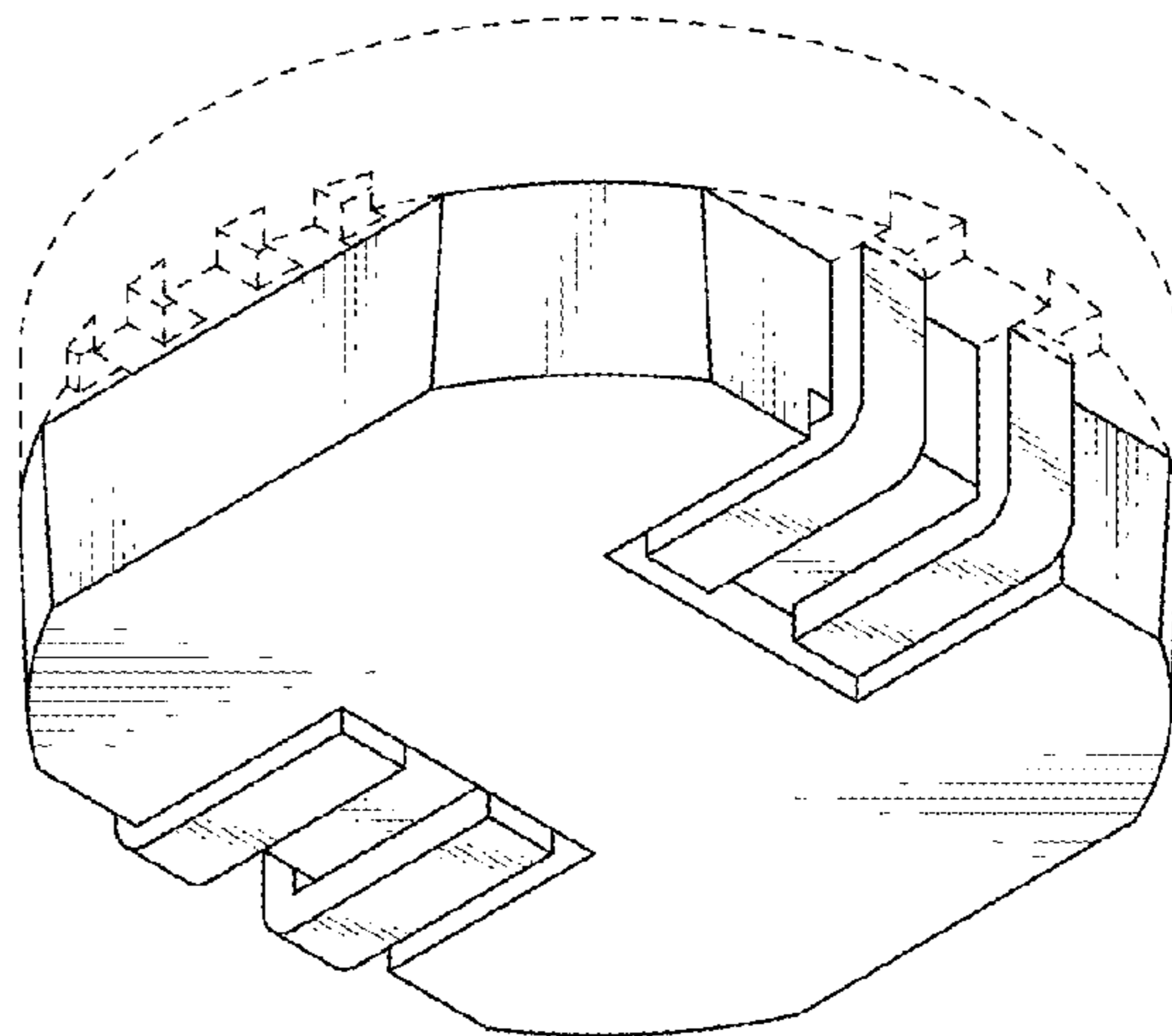
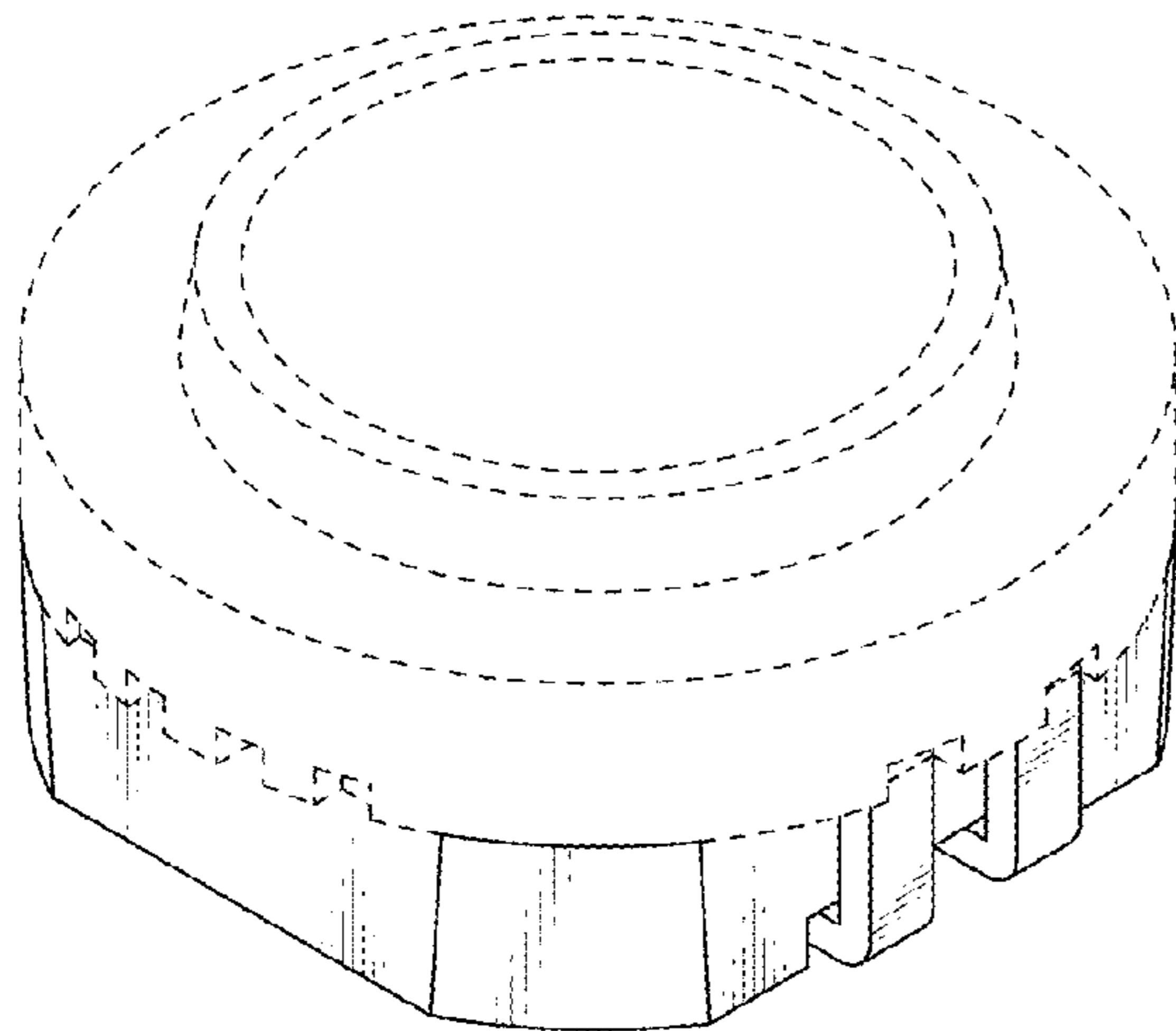


FIG. 1

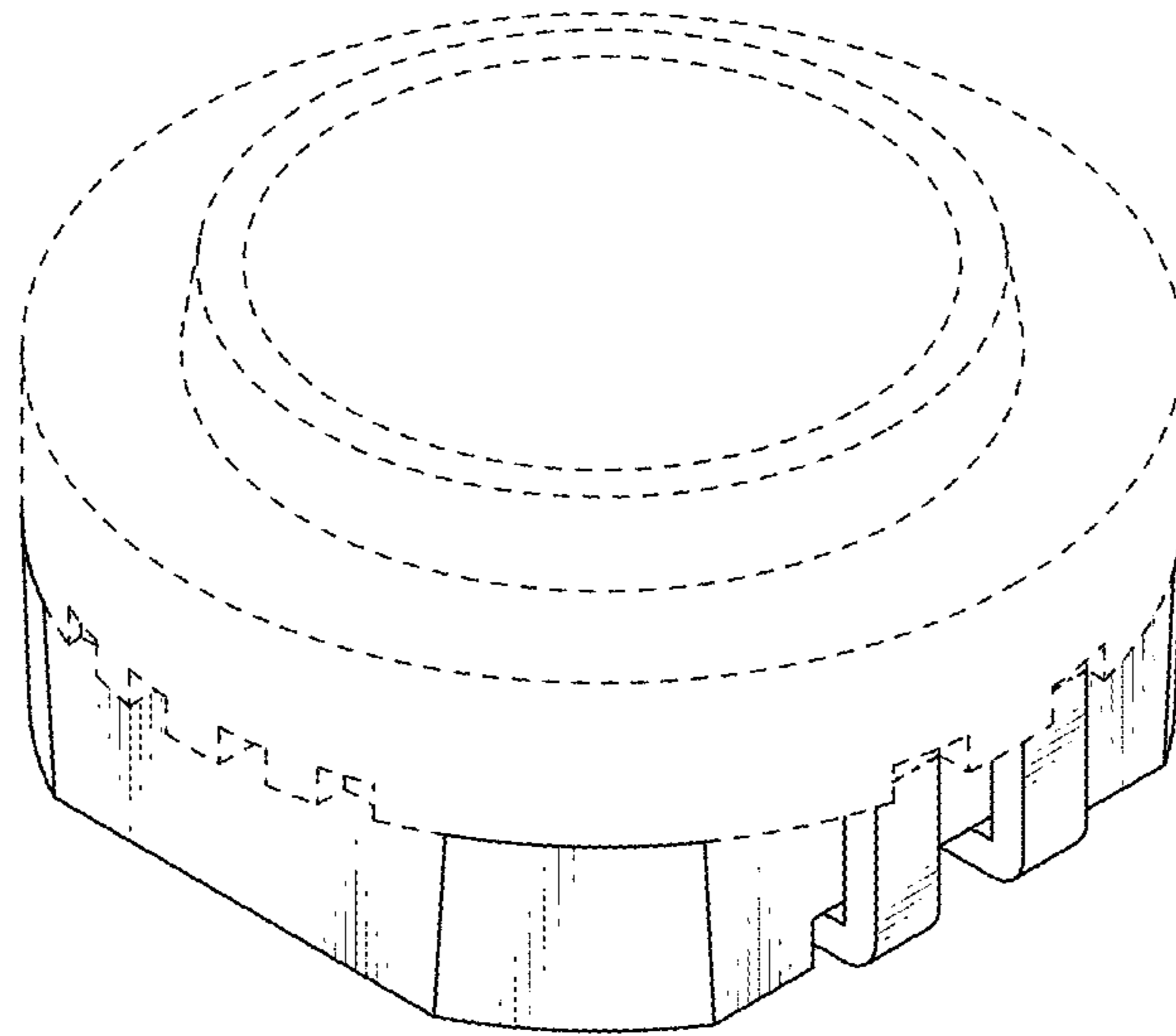


FIG. 2

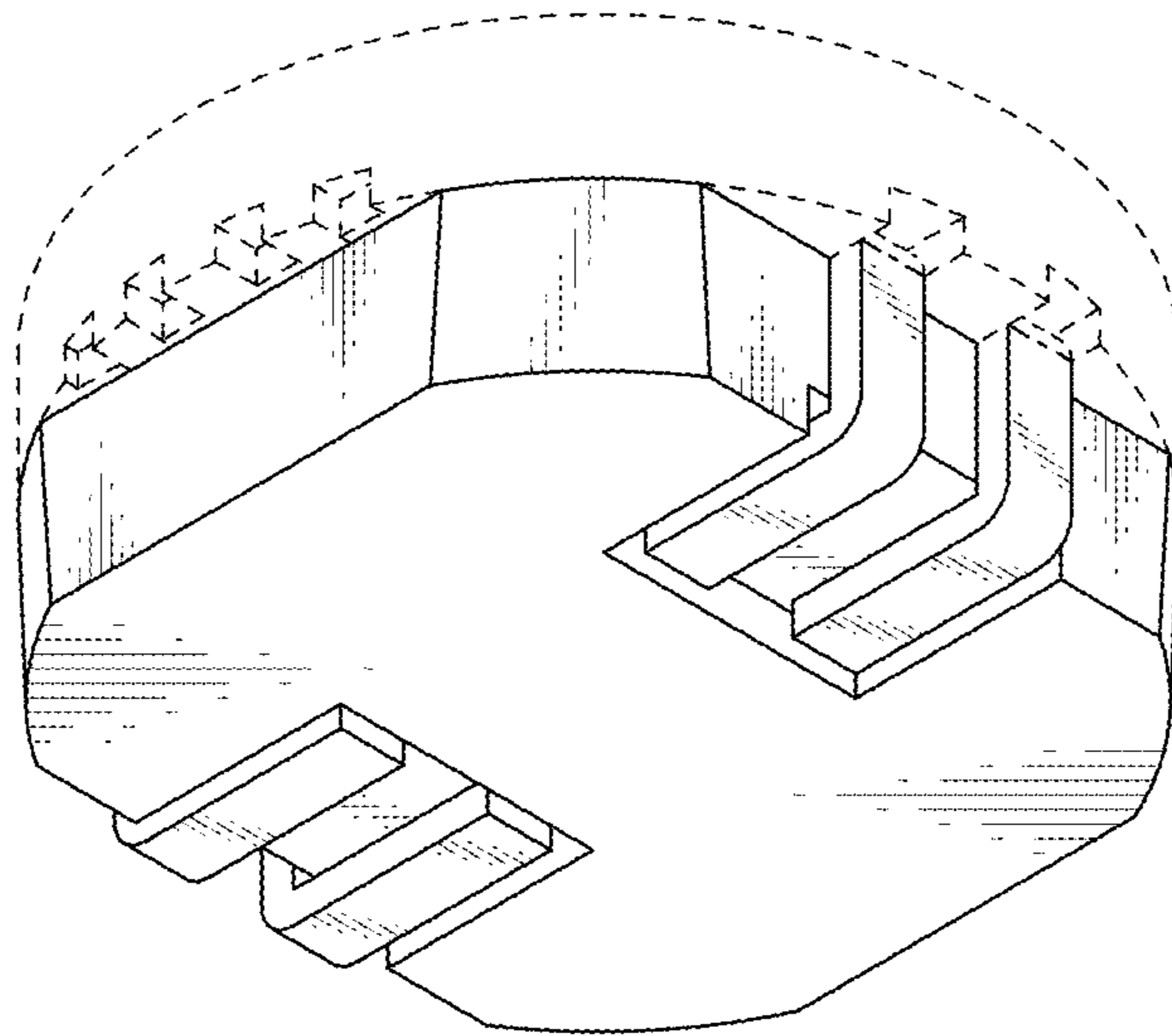


FIG. 3

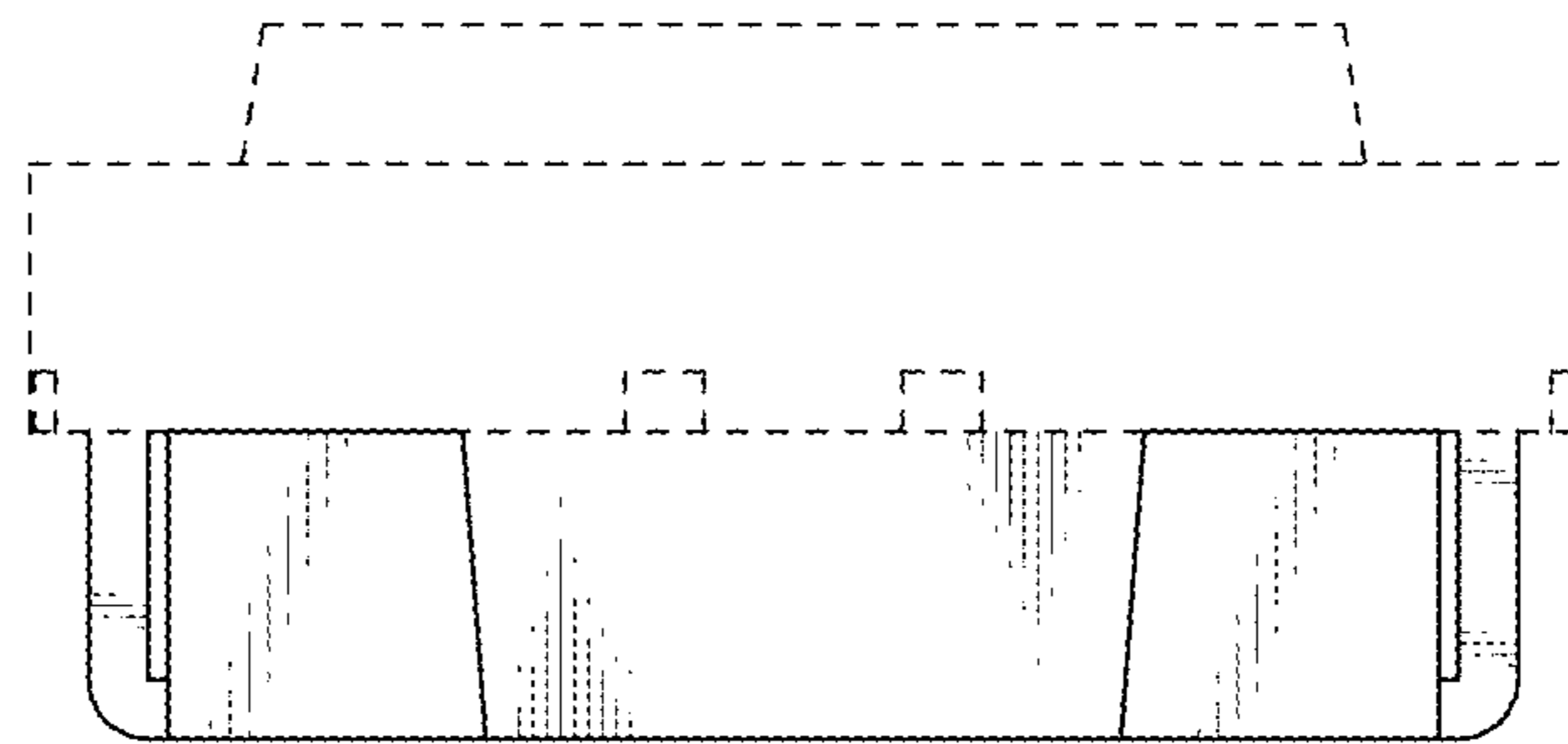


FIG. 4

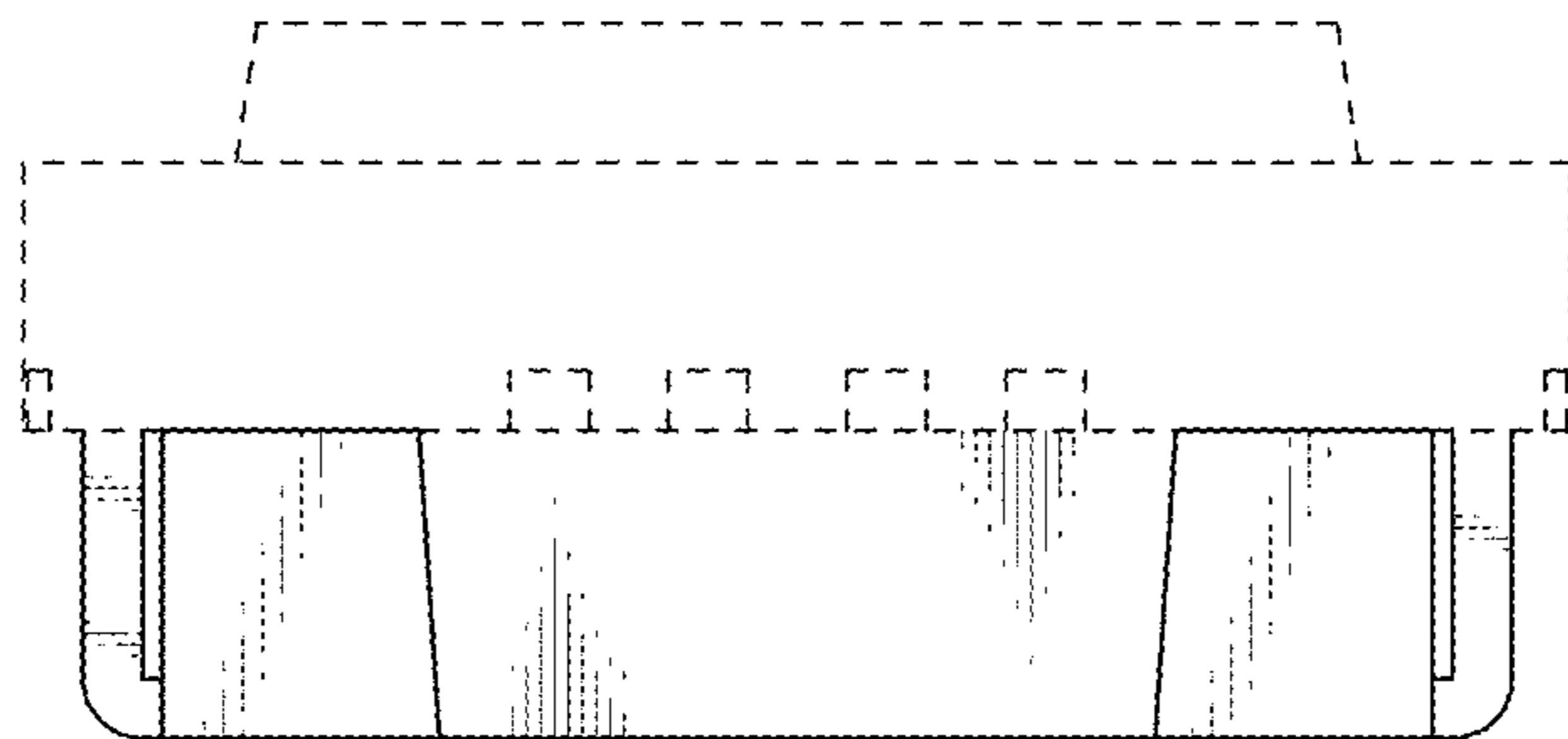


FIG. 5

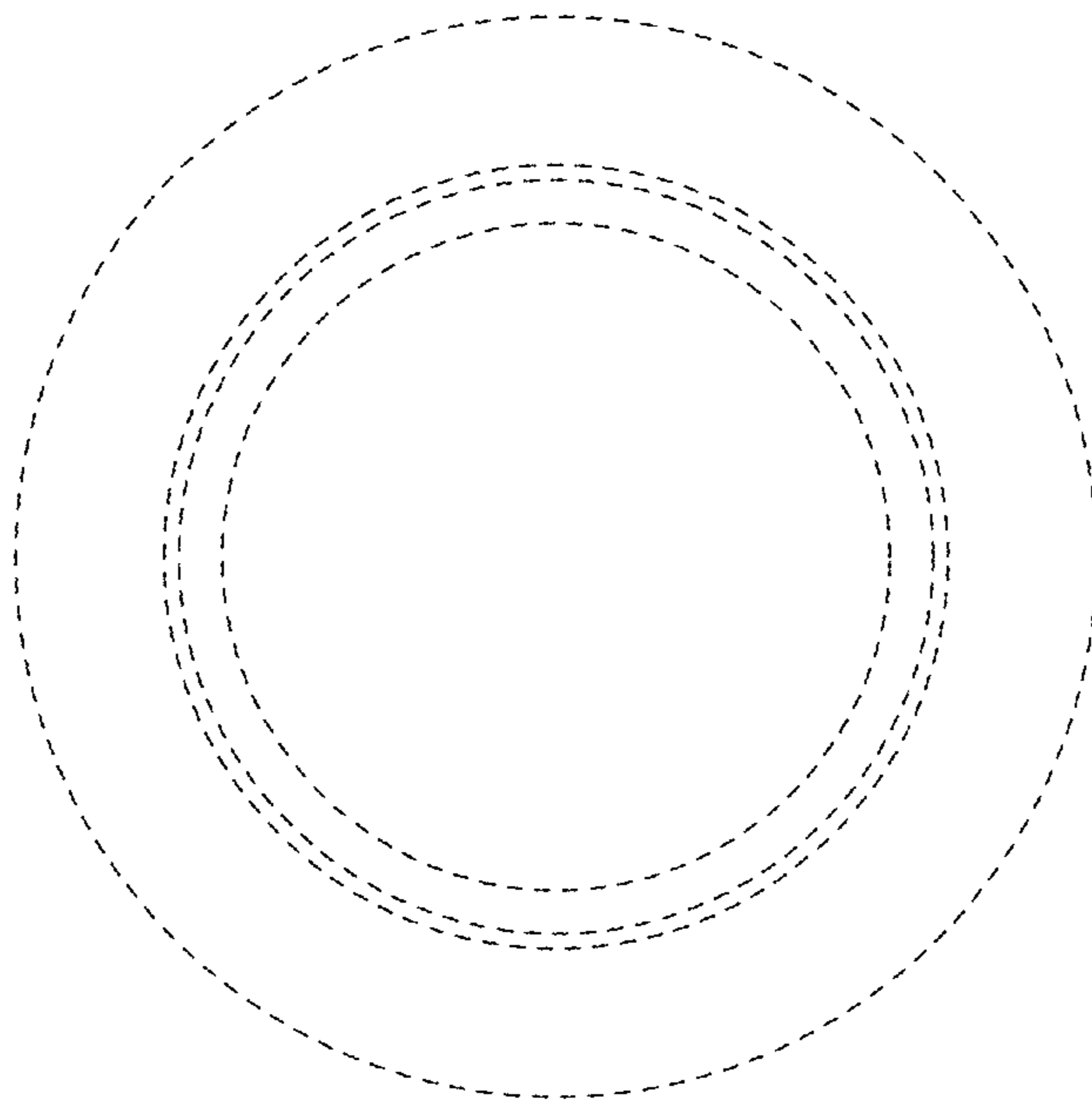


FIG. 6

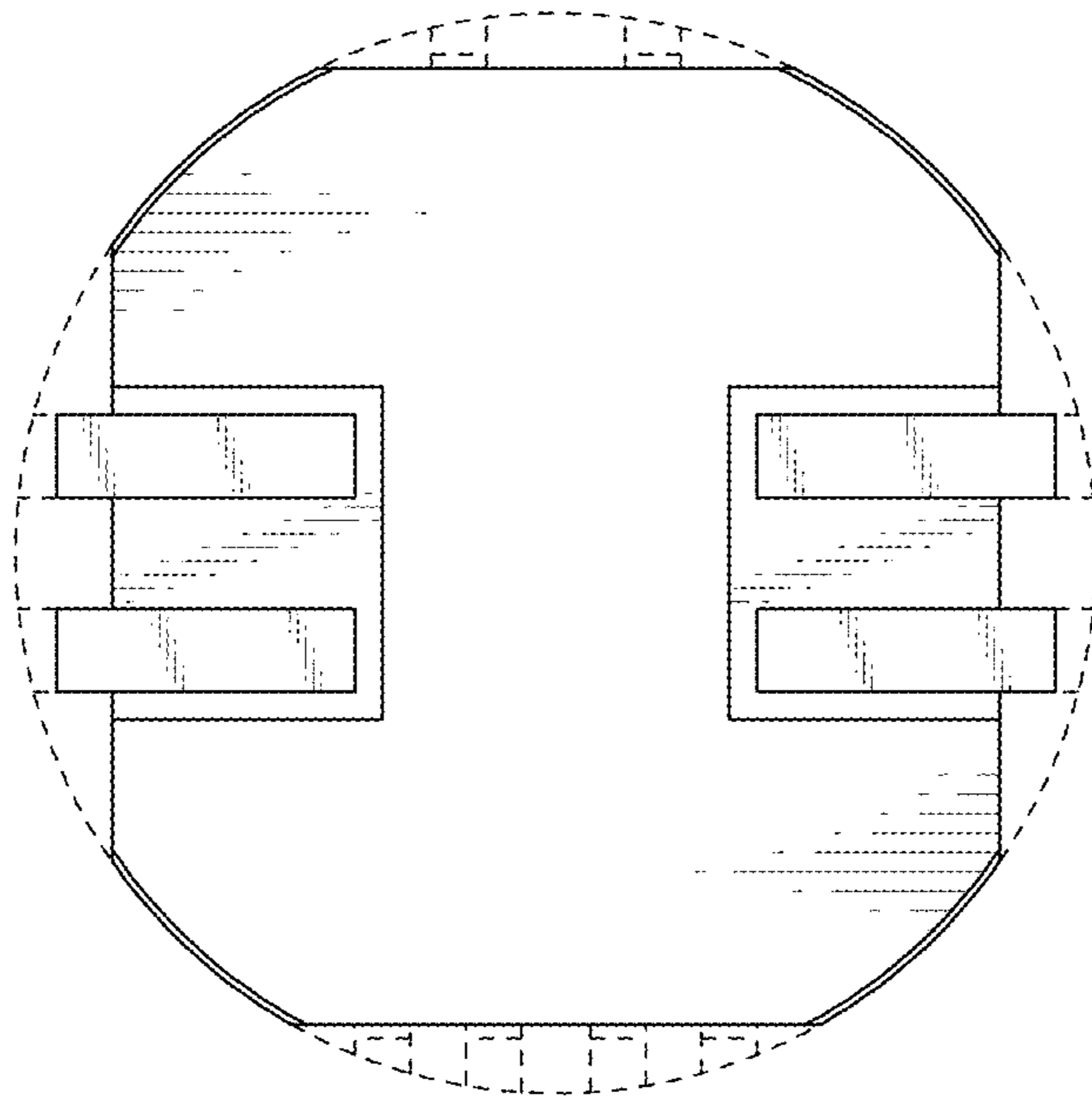


FIG. 7

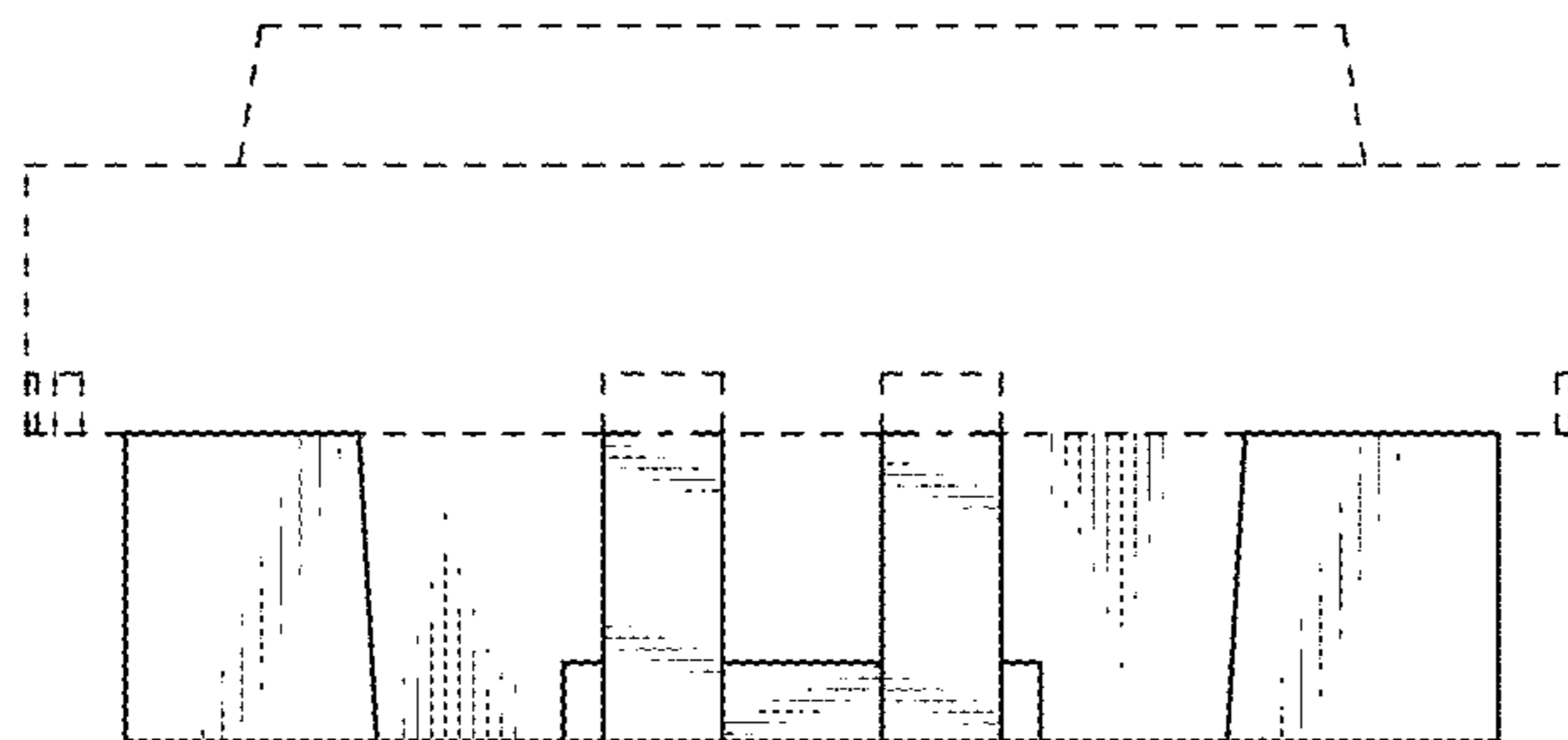


FIG. 8

