

US00D741733S

(12) **United States Design Patent**
Chen

(10) **Patent No.:** **US D741,733 S**

(45) **Date of Patent:** **** Oct. 27, 2015**

- (54) **SOUND LEVEL METER**
- (71) Applicant: **Li-Chuan Chen**, Taipei (TW)
- (72) Inventor: **Li-Chuan Chen**, Taipei (TW)
- (**) Term: **14 Years**
- (21) Appl. No.: **29/508,993**
- (22) Filed: **Nov. 13, 2014**
- (51) **LOC (10) Cl.** **10-04**
- (52) **U.S. Cl.**
USPC **D10/83**; D10/46; D10/78
- (58) **Field of Classification Search**
USPC D10/46, 83-85, 78
CPC G01H 1/00; G01H 1/003; G01H 1/006;
G01H 1/04; G01H 1/08; G01H 1/10; G01H
1/12; G01H 1/14; G01H 1/16; G01H 7/00;
G01H 9/00; G01H 9/002; G01H 9/004;
G01H 9/006; G01H 9/008; G01H 17/00;
G01H 13/00; G01H 15/00; G01H 3/12
See application file for complete search history.

5,757,930	A *	5/1998	Seidemann et al.	381/60
6,058,076	A *	5/2000	Komninos	367/135
6,079,275	A *	6/2000	Komninos	73/661
6,202,491	B1 *	3/2001	McCarty et al.	73/659
D476,911	S *	7/2003	Chen	D10/46
D477,540	S *	7/2003	Chen	D10/46
D483,680	S *	12/2003	Chen	D10/46
D512,655	S *	12/2005	McGugan	D10/46
8,495,914	B2 *	7/2013	Izikoff	73/601
D718,161	S *	11/2014	Derr	D10/81

* cited by examiner

Primary Examiner — Antoine D Davis

(74) *Attorney, Agent, or Firm* — Alan D. Kamrath; Kamrath IP Lawfirm, P.A.

(57) **CLAIM**

The ornamental design for a sound level meter, as shown and described.

DESCRIPTION

FIG. 1 is a perspective view of a sound level meter showing my new design;
 FIG. 2 is a front view thereof;
 FIG. 3 is a rear view thereof;
 FIG. 4 is a left side view thereof;
 FIG. 5 is a right side view thereof;
 FIG. 6 is a top view thereof; and,
 FIG. 7 is a bottom view thereof.

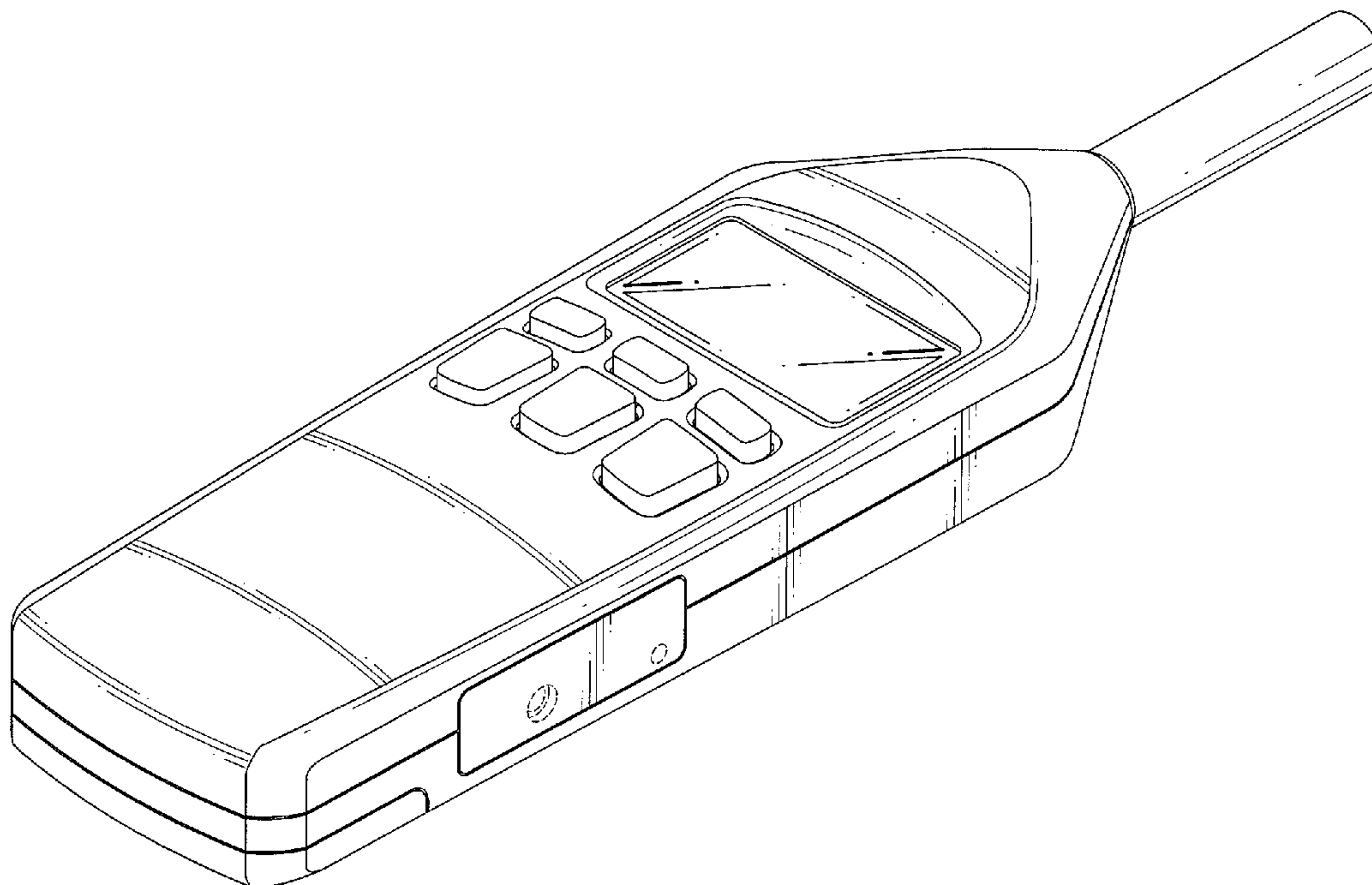
The portions of the Figures shown in broken lines are shown for illustrative purposes only and form no part of the claimed design.

1 Claim, 7 Drawing Sheets

(56) **References Cited**

U.S. PATENT DOCUMENTS

3,729,598	A *	4/1973	Tegt et al.	381/58
D247,161	S *	2/1978	Fernandez et al.	D10/46
4,257,273	A *	3/1981	Knowd	73/647
4,554,639	A *	11/1985	Baker et al.	702/1
5,435,185	A *	7/1995	Eagan	73/587
5,445,026	A *	8/1995	Eagan	73/591



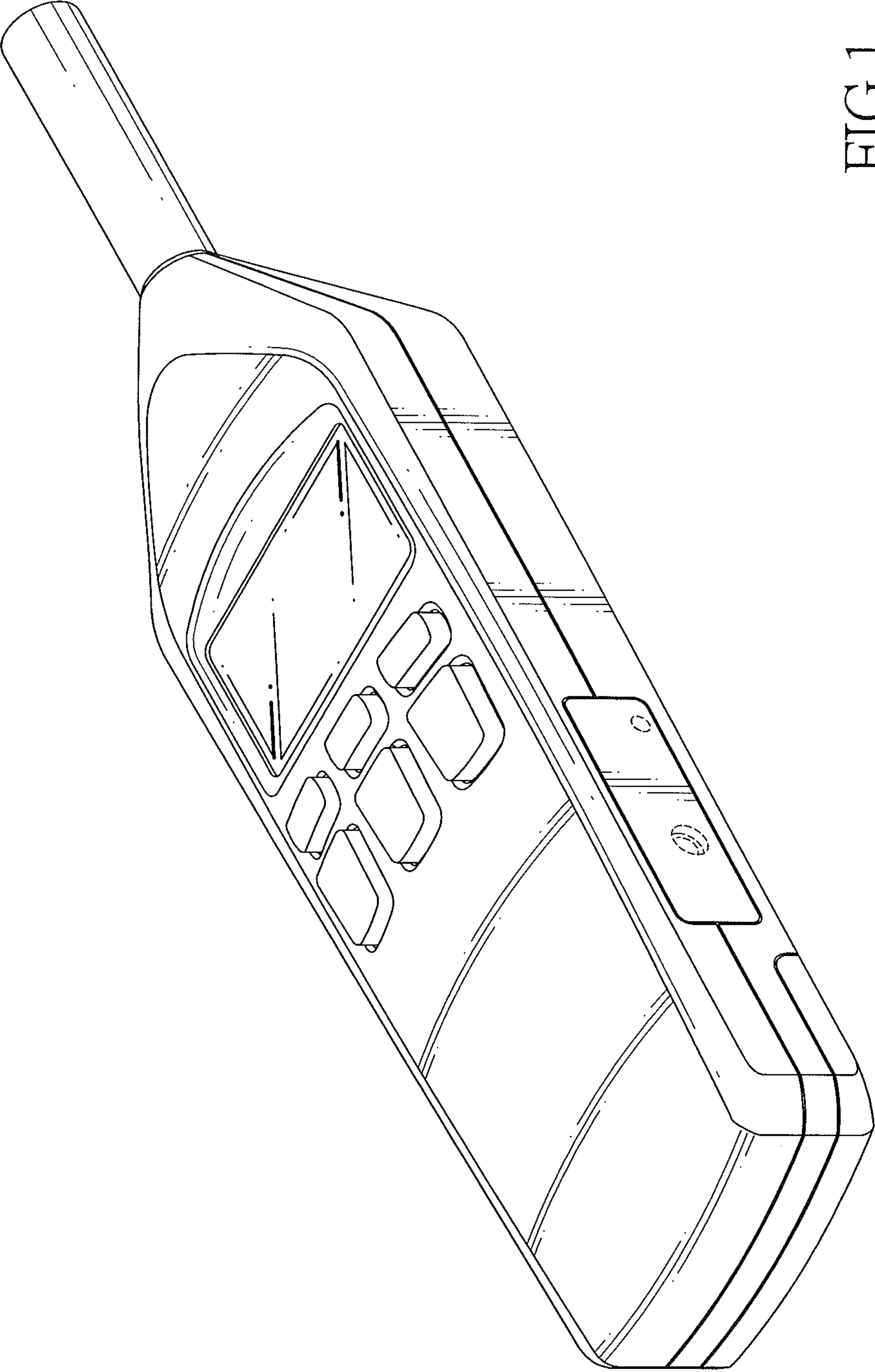


FIG.1

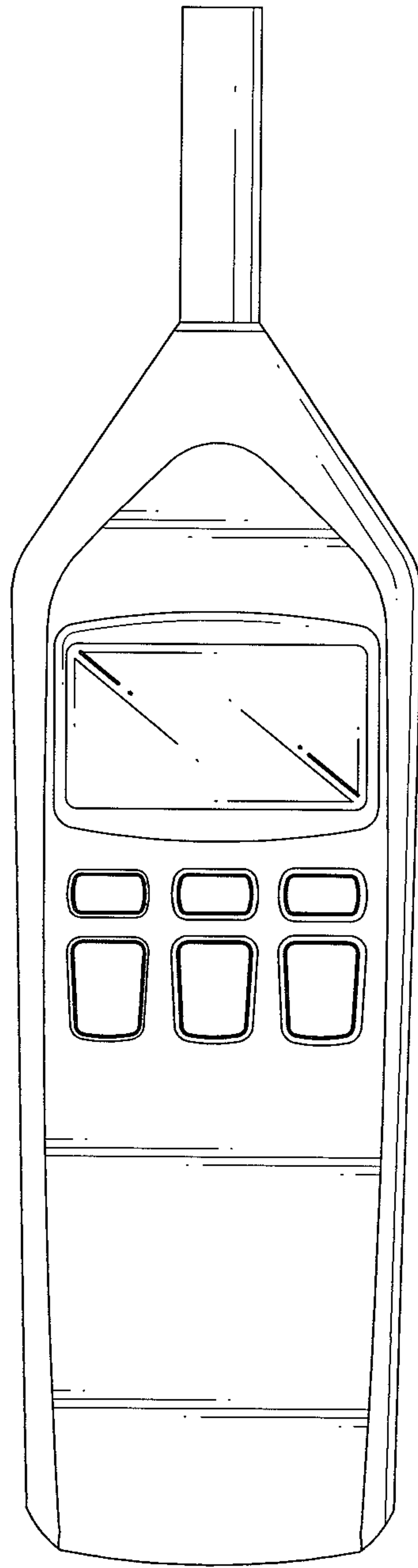


FIG.2

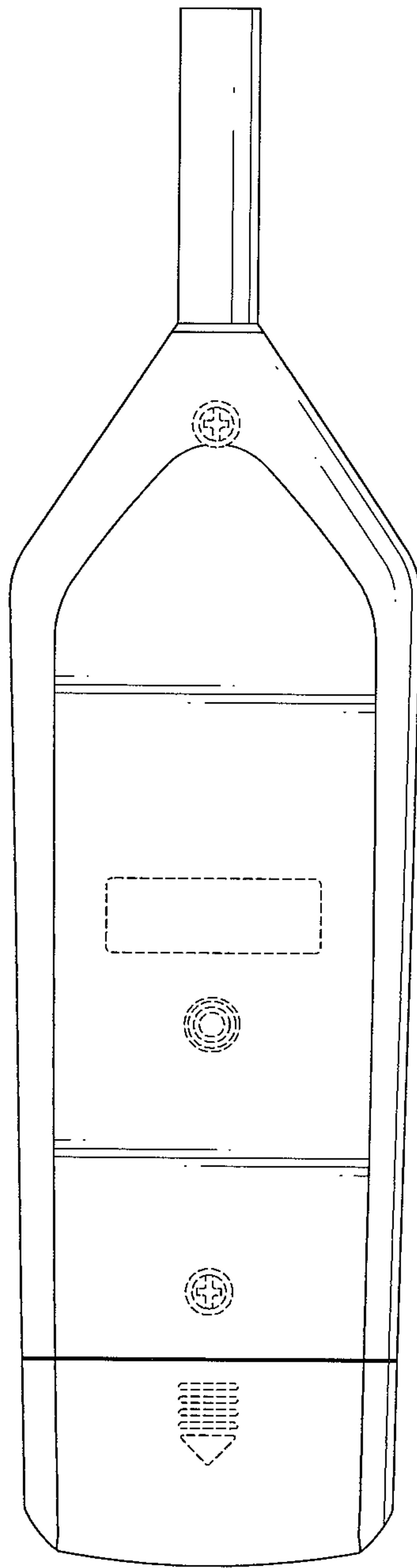


FIG.3

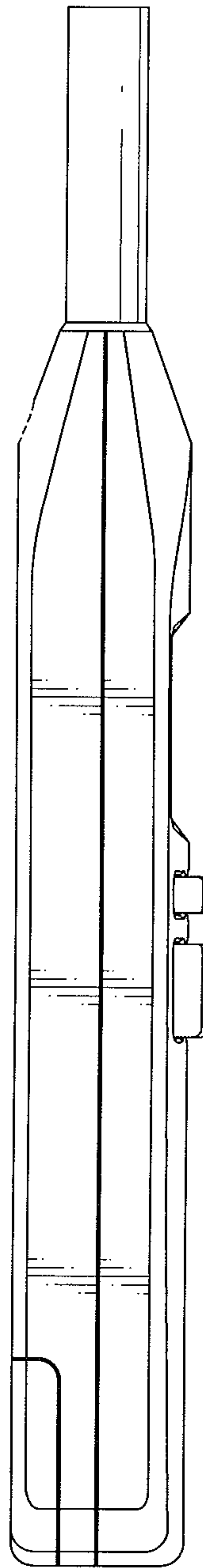


FIG.4

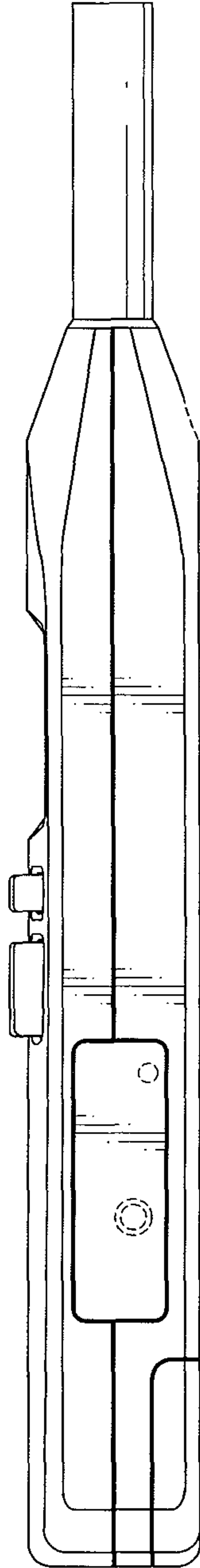


FIG.5

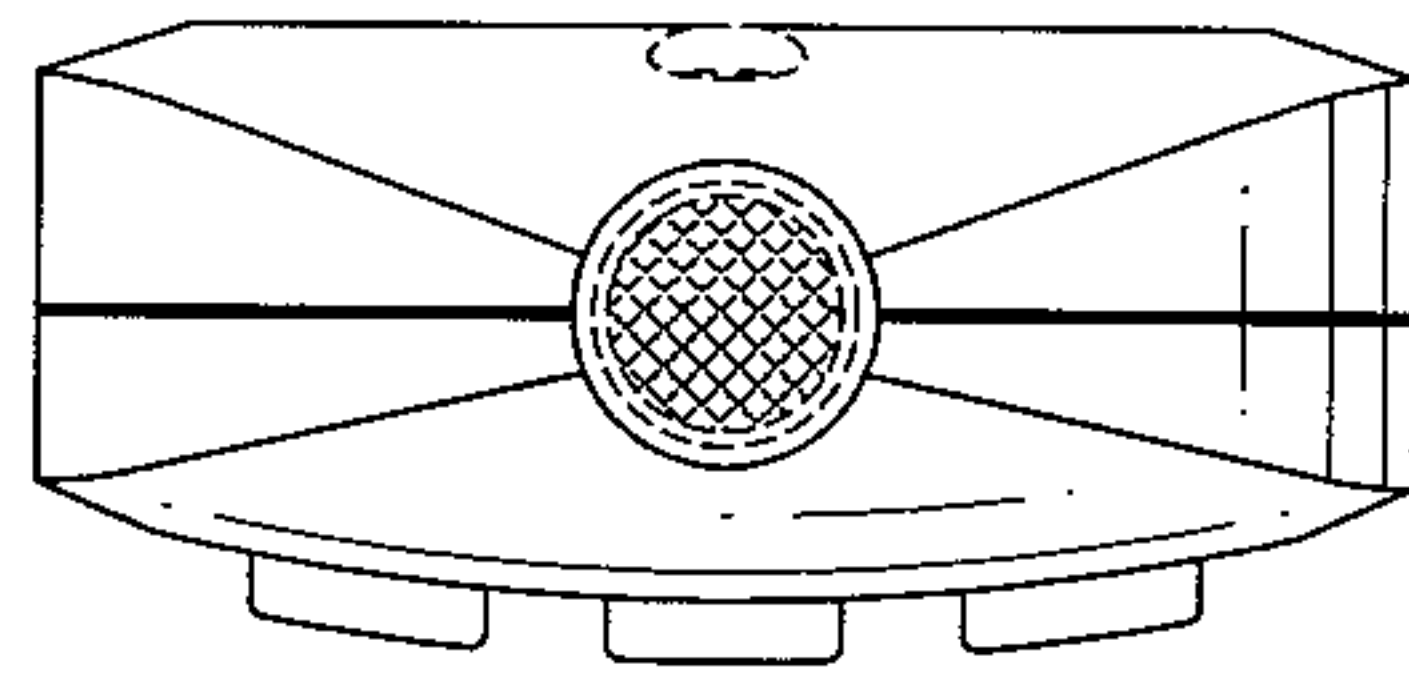


FIG.6

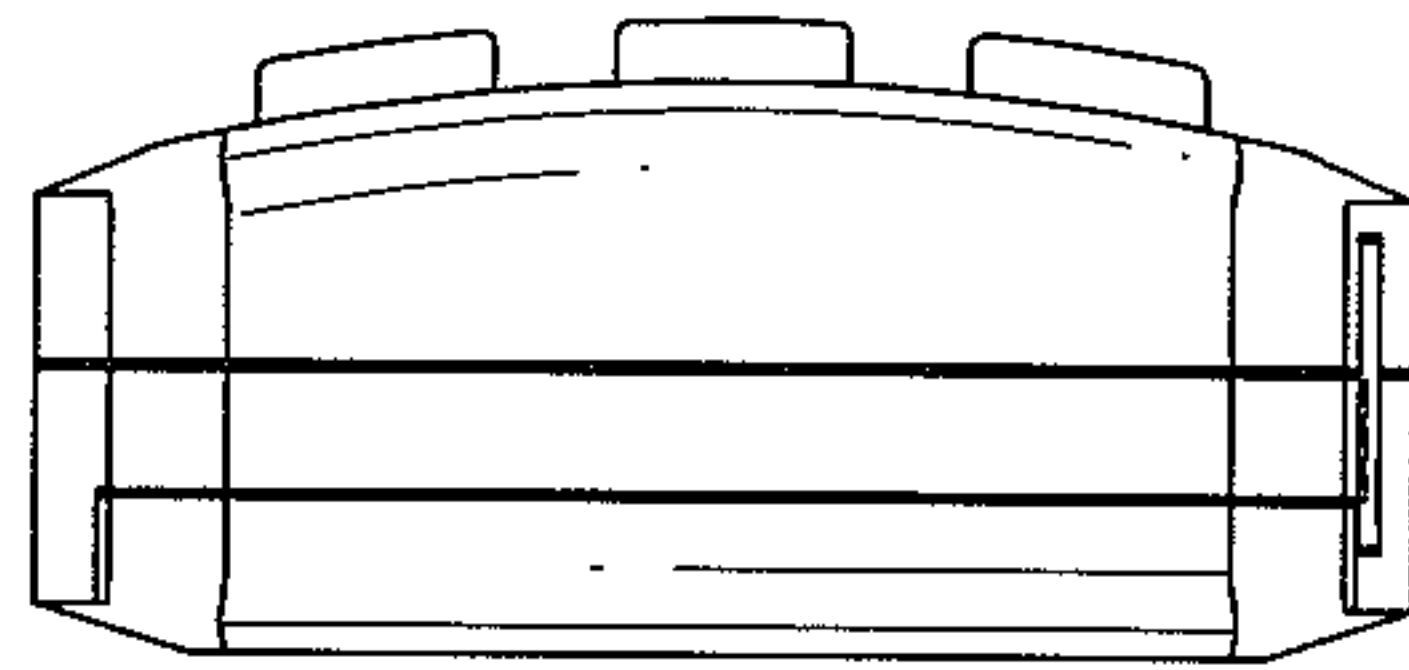


FIG.7