



US00D741732S

(12) **United States Design Patent**  
**Schildroth**

(10) **Patent No.:** **US D741,732 S**  
(45) **Date of Patent:** **\*\* Oct. 27, 2015**

(54) **SOIL SAMPLING DEVICE**

(71) Applicant: **Rhett Schildroth**, North Liberty, IA  
(US)

(72) Inventor: **Rhett Schildroth**, North Liberty, IA  
(US)

(\*\*) Term: **14 Years**

(21) Appl. No.: **29/517,797**

(22) Filed: **Feb. 17, 2015**

(51) **LOC (10) Cl.** ..... **10-04**

(52) **U.S. Cl.**  
USPC ..... **D10/81; D10/56**

(58) **Field of Classification Search**  
USPC ..... D10/56, 81  
CPC ..... G01N 33/24; G01N 33/241; G01N  
2033/243; G01N 2033/245; G01N 33/246;  
G01N 2033/248

See application file for complete search history.

(56) **References Cited**

**U.S. PATENT DOCUMENTS**

5,038,040	A	8/1991	Funk et al.	
D347,188	S *	5/1994	Grimes	D10/81
6,356,830	B1	3/2002	Adamchuck et al.	
7,216,555	B2	5/2007	Drummond et al.	
8,204,689	B2	6/2012	Christy et al.	
2003/0112152	A1	6/2003	Pickett	

2010/0082259	A1 *	4/2010	Prigge et al.	702/12
2013/0258317	A1	10/2013	Preiner et. al	
2014/0345394	A1 *	11/2014	Schildroth	73/863

**OTHER PUBLICATIONS**

Adsett, J. F. et al, "Development of an Automated On-The-Go Soil Nitrate Monitoring System", vol. 15 (4): 351-356, 1999 Dec. 31, 1999.

\* cited by examiner

*Primary Examiner* — Antoine D Davis

(74) *Attorney, Agent, or Firm* — McKee, Voorhees & Sease, PLC

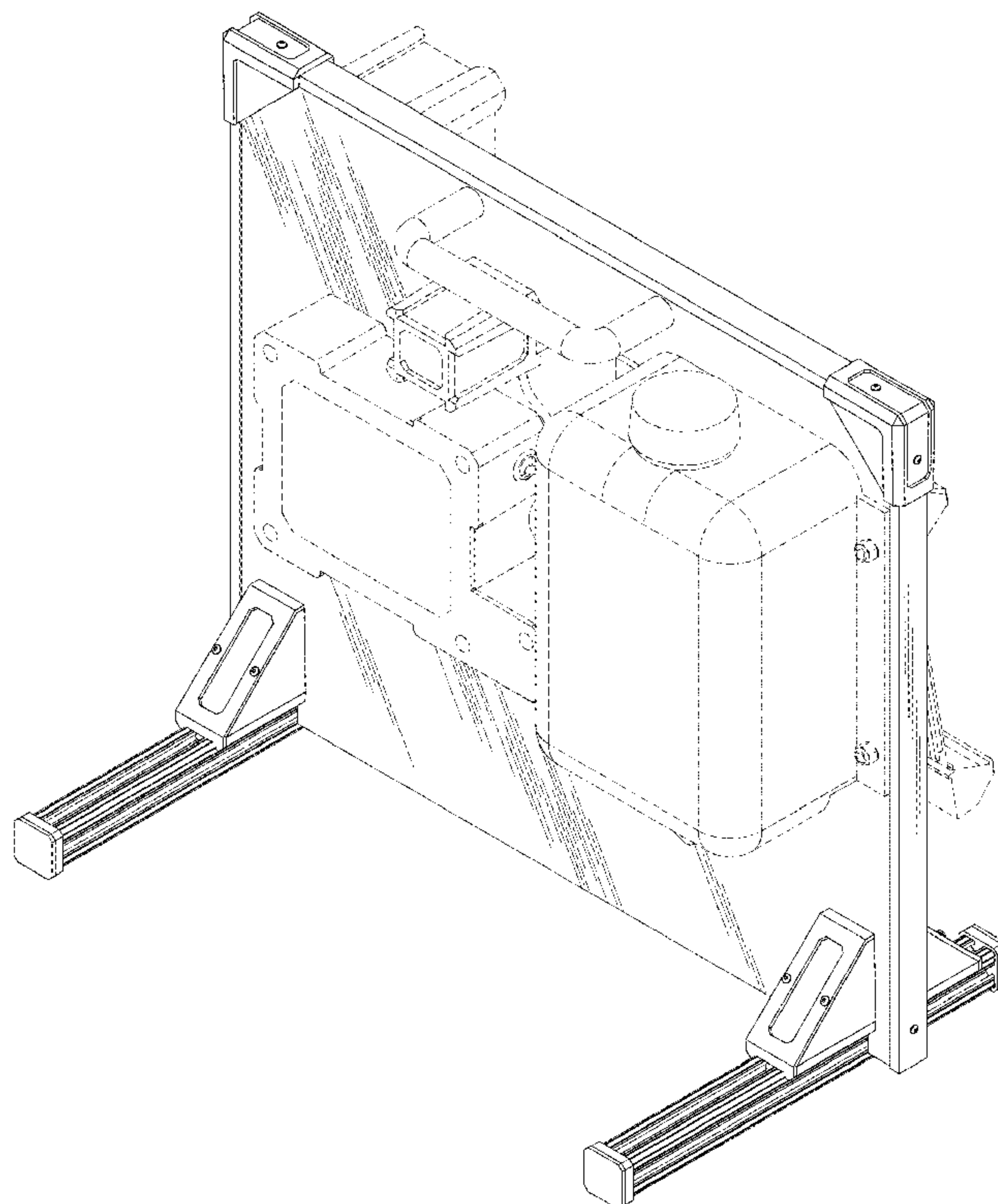
(57) **CLAIM**

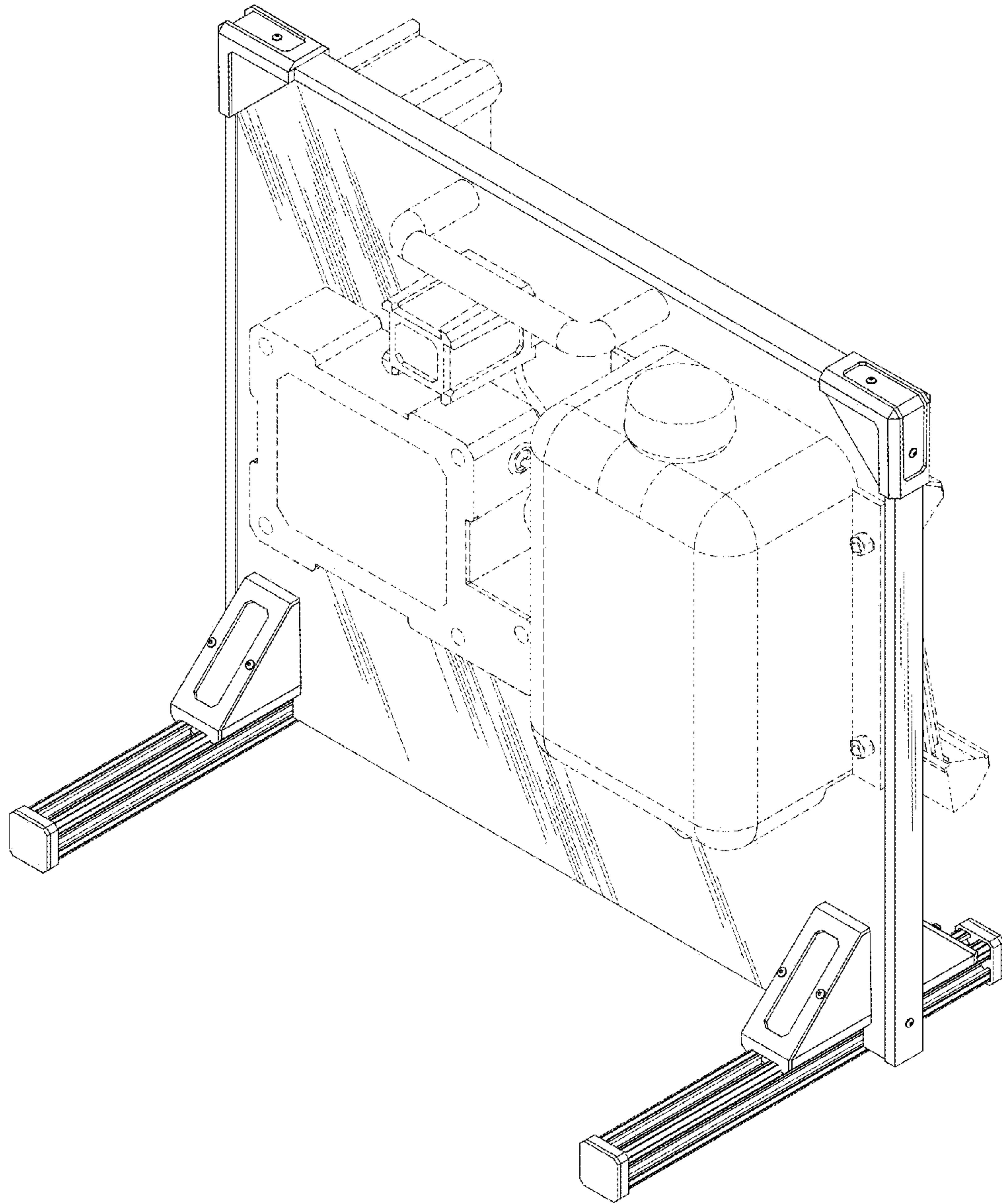
I claim the ornamental design for a soil sampling device, substantially as shown and described.

**DESCRIPTION**

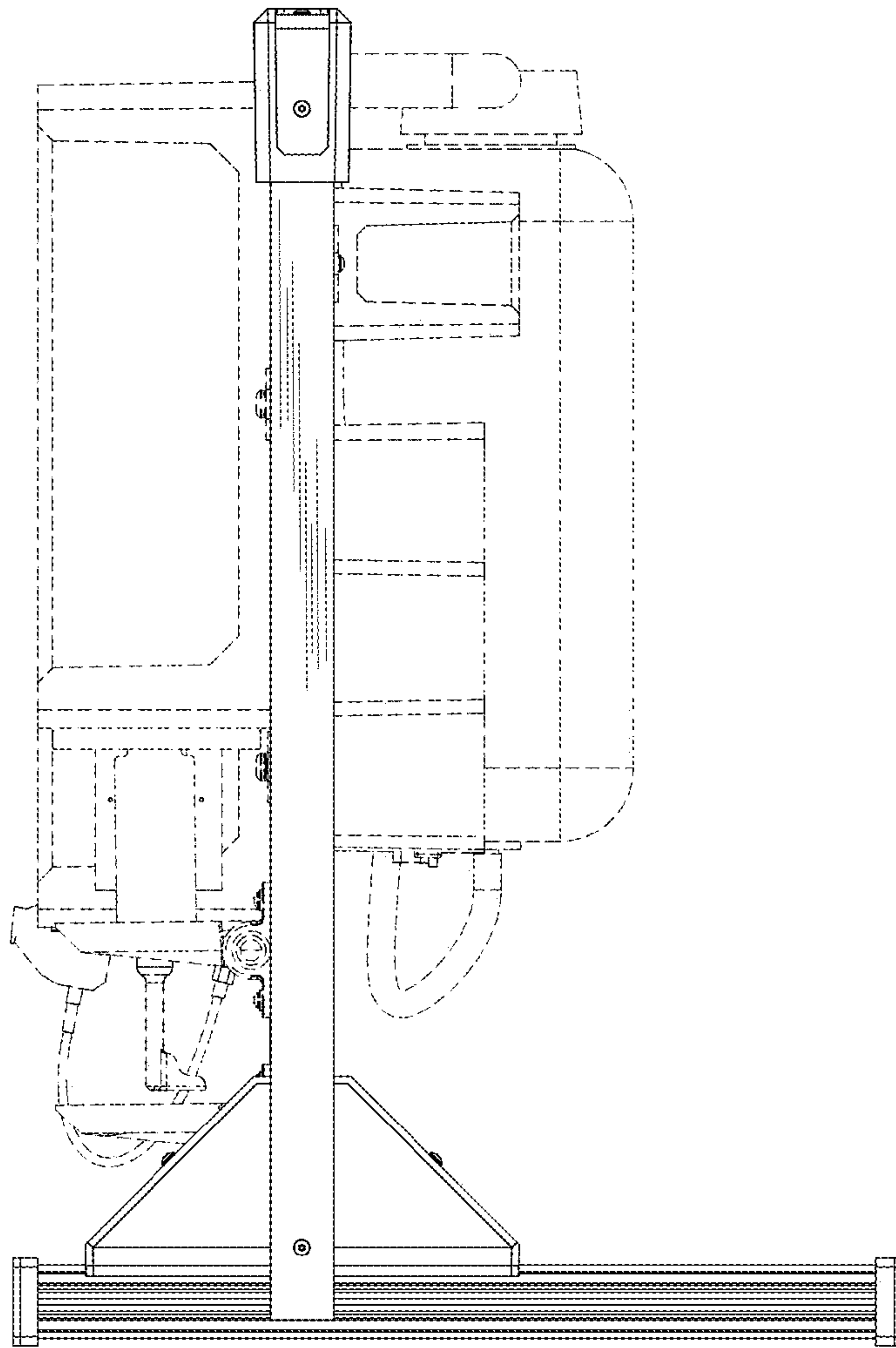
FIG. 1 is a perspective view of a soil sampling device showing the new design for a soil sampling device;  
FIG. 2 is a right side view of the soil sampling device, showing the main part of the soil sampling device on which user interaction will occur;  
FIG. 3 is a rear view of the soil sampling device;  
FIG. 4 is a left side view of the soil sampling device;  
FIG. 5 is a front view of the soil sampling device;  
FIG. 6 is a top view of the soil sampling device; and,  
FIG. 7 is a bottom view.

**1 Claim, 7 Drawing Sheets**

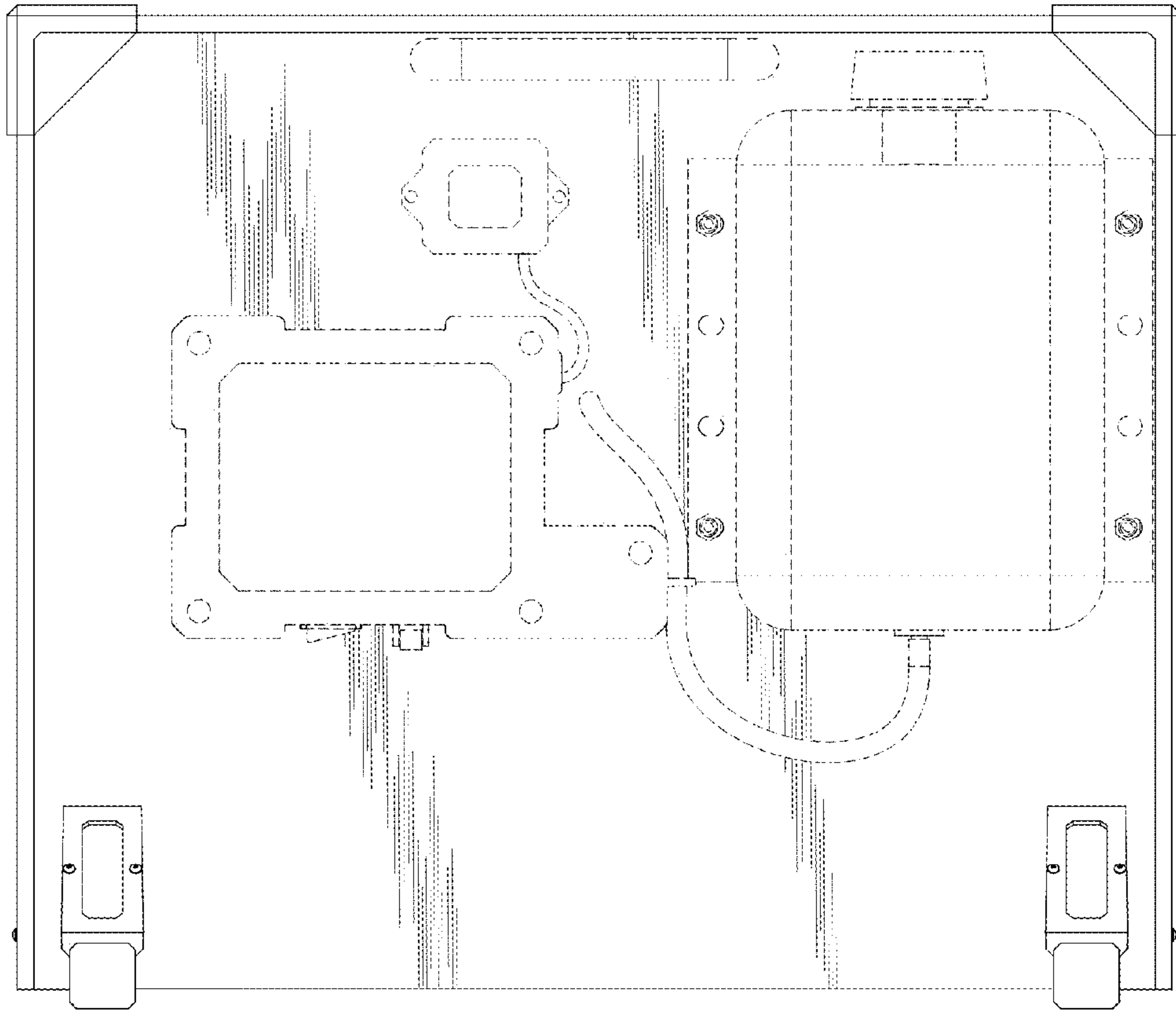




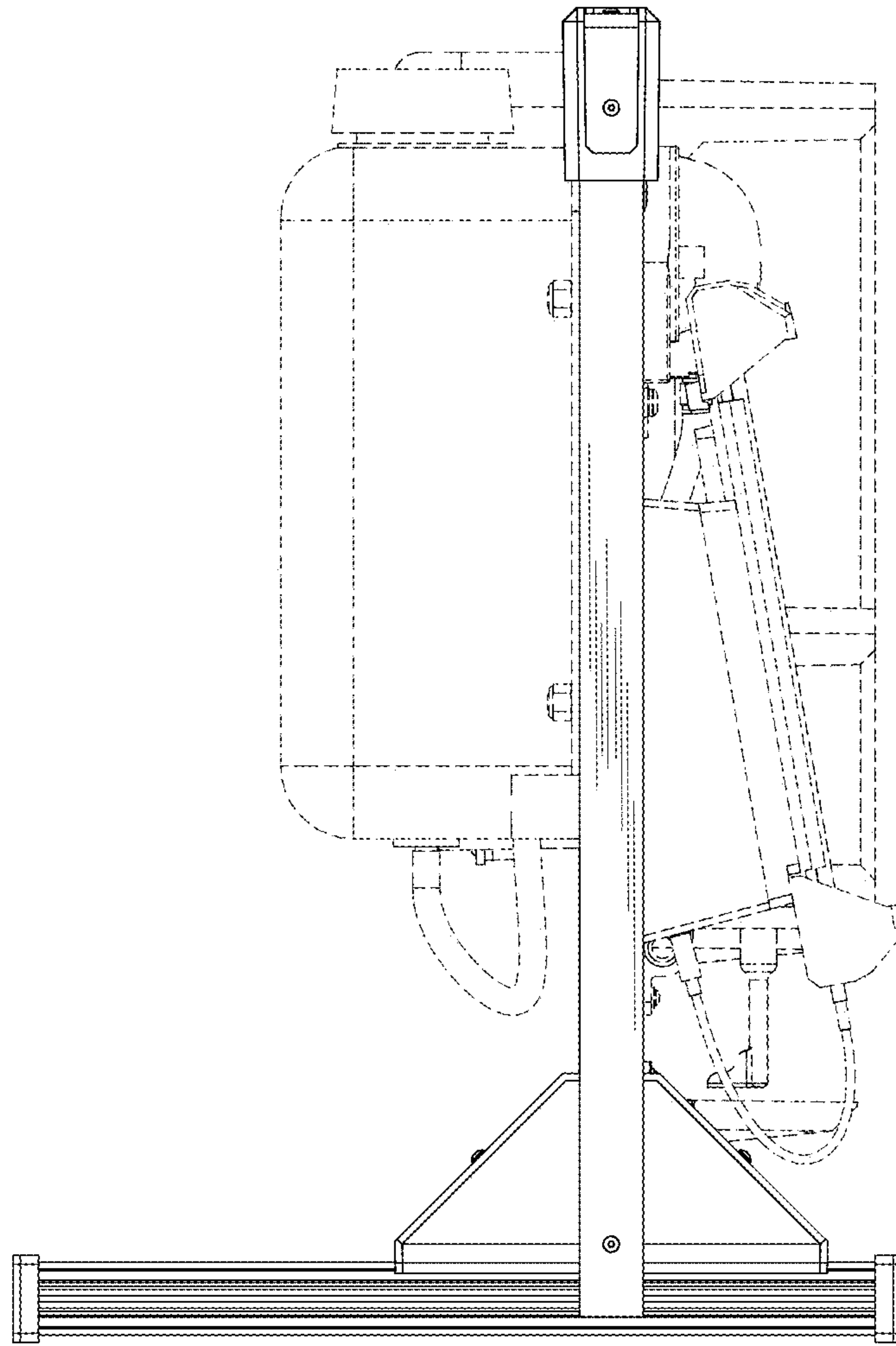
*Fig. 1*



*Fig. 2*

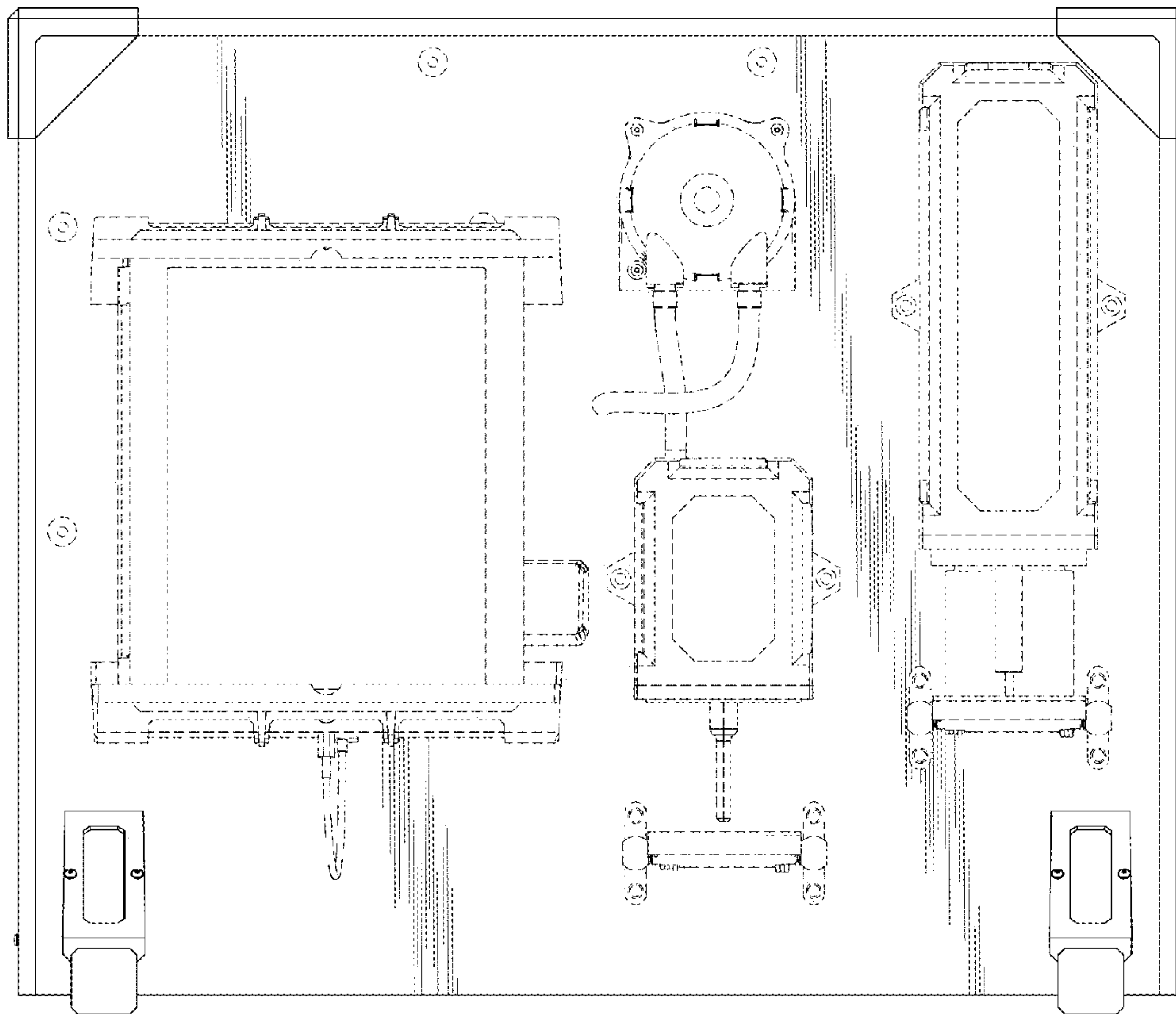


*Fig. 3*

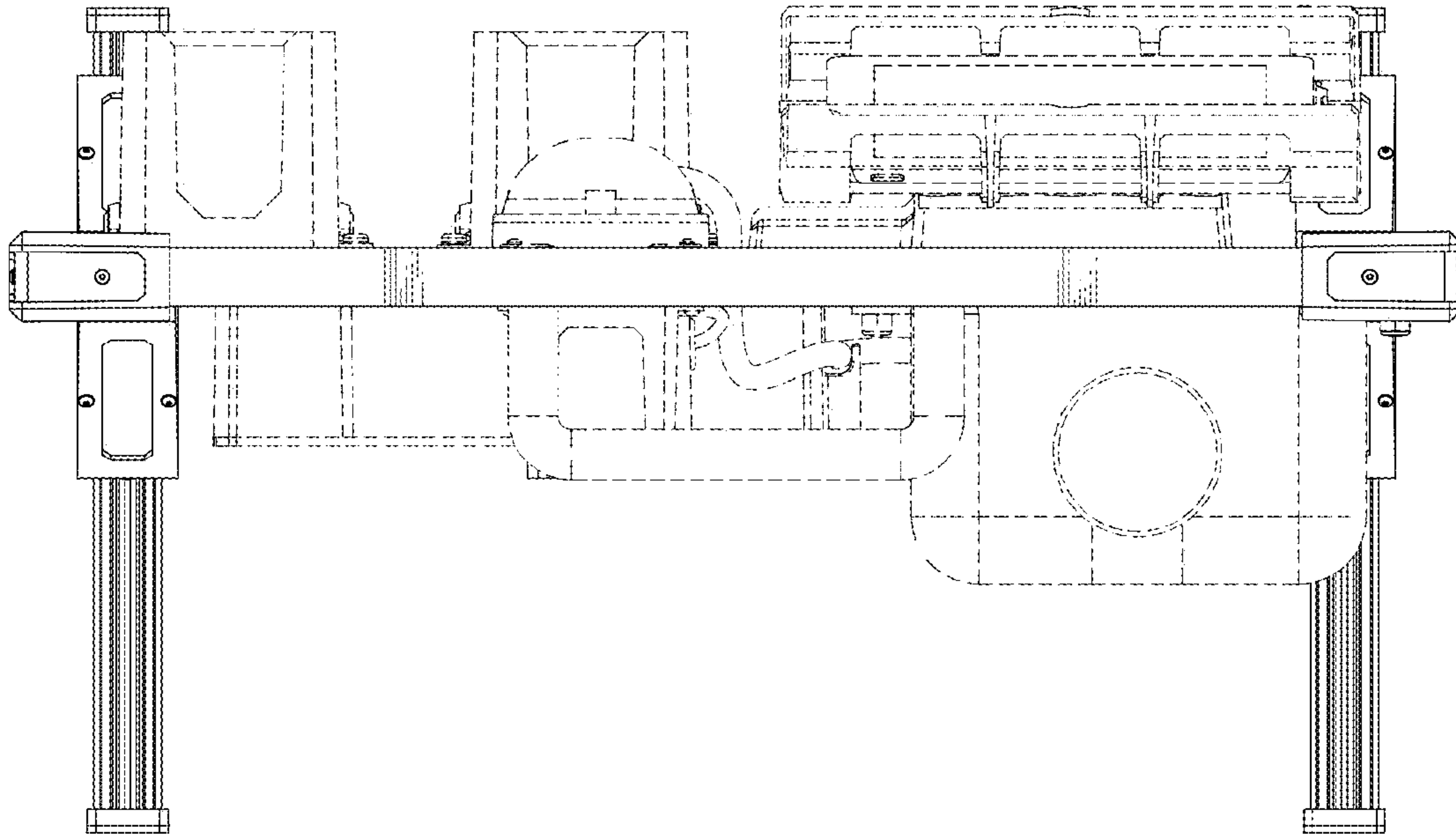


*Fig. 4*

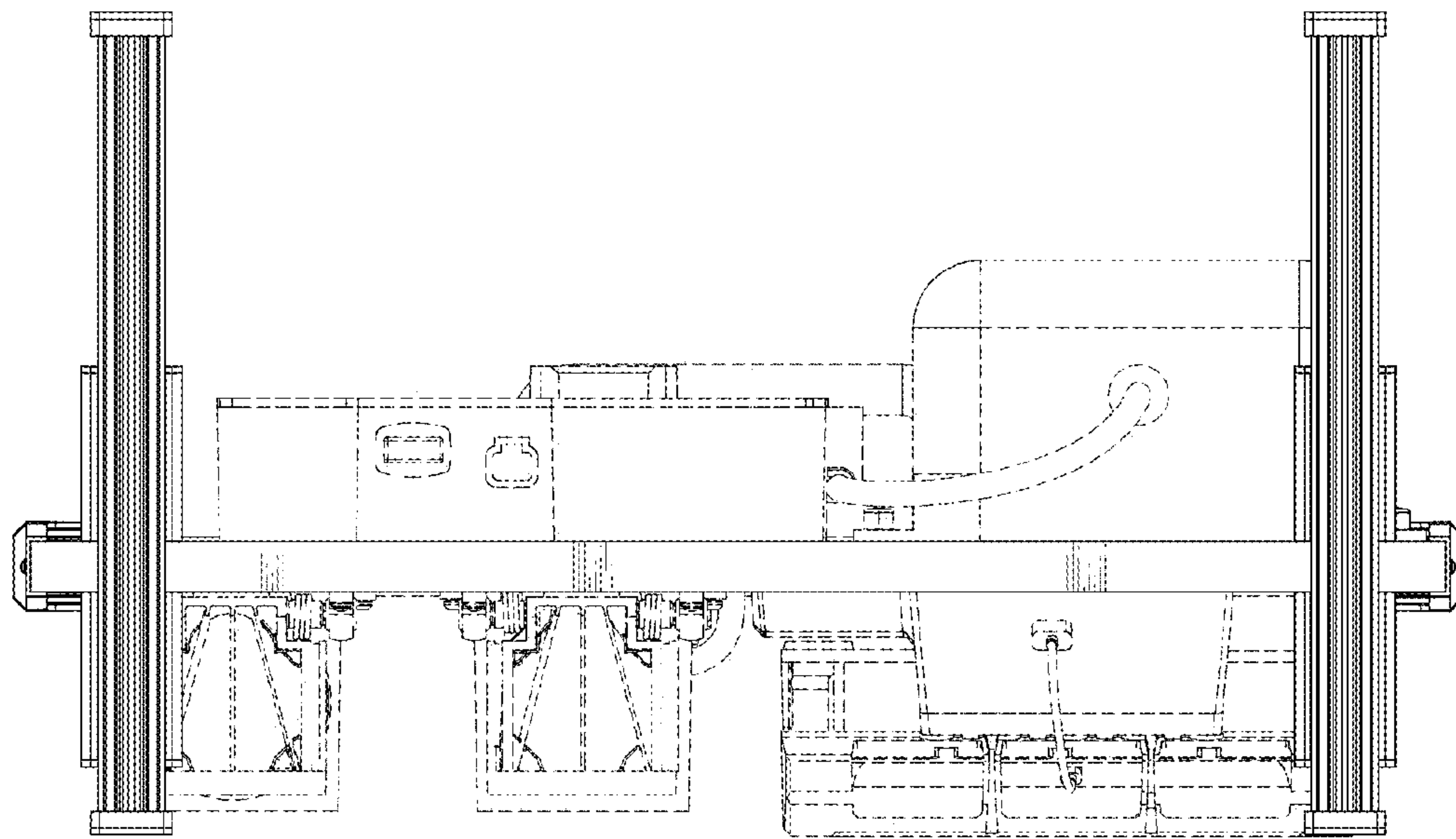




*Fig. 5*



*Fig. 6*



*Fig. 7*