



US00D741731S

(12) **United States Design Patent**  
**Lamanna et al.**

(10) **Patent No.:** **US D741,731 S**  
(45) **Date of Patent:** **\*\* Oct. 27, 2015**

(54) **METAL FRAMING LAYOUT SQUARE**

(71) Applicants: **Michael Lamanna**, Massapequa, NY  
(US); **Richard Gross**, Massapequa, NY  
(US)

(72) Inventors: **Michael Lamanna**, Massapequa, NY  
(US); **Richard Gross**, Massapequa, NY  
(US)

(73) Assignee: **SQUARE UP, INC.**, Brooklyn, NY (US)

(\*\*) Term: **15 Years**

(21) Appl. No.: **29/531,504**

(22) Filed: **Jun. 26, 2015**

**Related U.S. Application Data**

(63) Continuation of application No. 14/194,064, filed on Feb. 28, 2014.

(51) **LOC (10) Cl.** ..... **10-04**

(52) **U.S. Cl.**  
USPC ..... **D10/65; D10/64; D10/71**

(58) **Field of Classification Search**  
USPC ..... D10/64, 65, 71; 33/474, 476, 451, 464, 33/429, 473  
CPC ..... B43L 7/12; B43L 7/14; B43L 7/027; B43L 7/02; B43L 7/0275; B43L 13/002; B43L 7/005; B43L 7/10; G01C 9/28; G01C 9/02; G01C 9/26; G01C 15/002; G01C 15/004; G01C 15/06; G01C 9/00  
See application file for complete search history.

(56) **References Cited**

**U.S. PATENT DOCUMENTS**

558,117 A \* 4/1896 Spaulding ..... 33/420  
3,080,658 A \* 3/1963 Pignone ..... 33/474  
D442,501 S 5/2001 Ekern  
6,408,529 B1 6/2002 Hodges  
6,571,487 B1 6/2003 Canalle

6,591,511 B1 7/2003 Carroll et al.  
6,691,422 B1 \* 2/2004 Aroch ..... 33/476  
6,725,559 B2 \* 4/2004 Burt, Jr. .... 33/653  
6,742,271 B1 6/2004 Rushing  
6,802,171 B2 10/2004 McKinnon  
7,197,833 B1 4/2007 Ekern  
7,587,838 B2 9/2009 Mastrabattista  
7,814,672 B1 10/2010 Johnson, Jr.  
7,854,070 B1 12/2010 Vajentic  
7,908,755 B2 3/2011 Rushing  
7,958,645 B1 6/2011 Chappell  
8,146,260 B1 4/2012 Visser  
D659,031 S 5/2012 MacKay et al.  
8,499,470 B1 \* 8/2013 Hilton ..... 33/562

\* cited by examiner

*Primary Examiner* — Antoine D Davis

(74) *Attorney, Agent, or Firm* — Andrew F. Young, Esq.;  
Lackebach Siegel, LLP

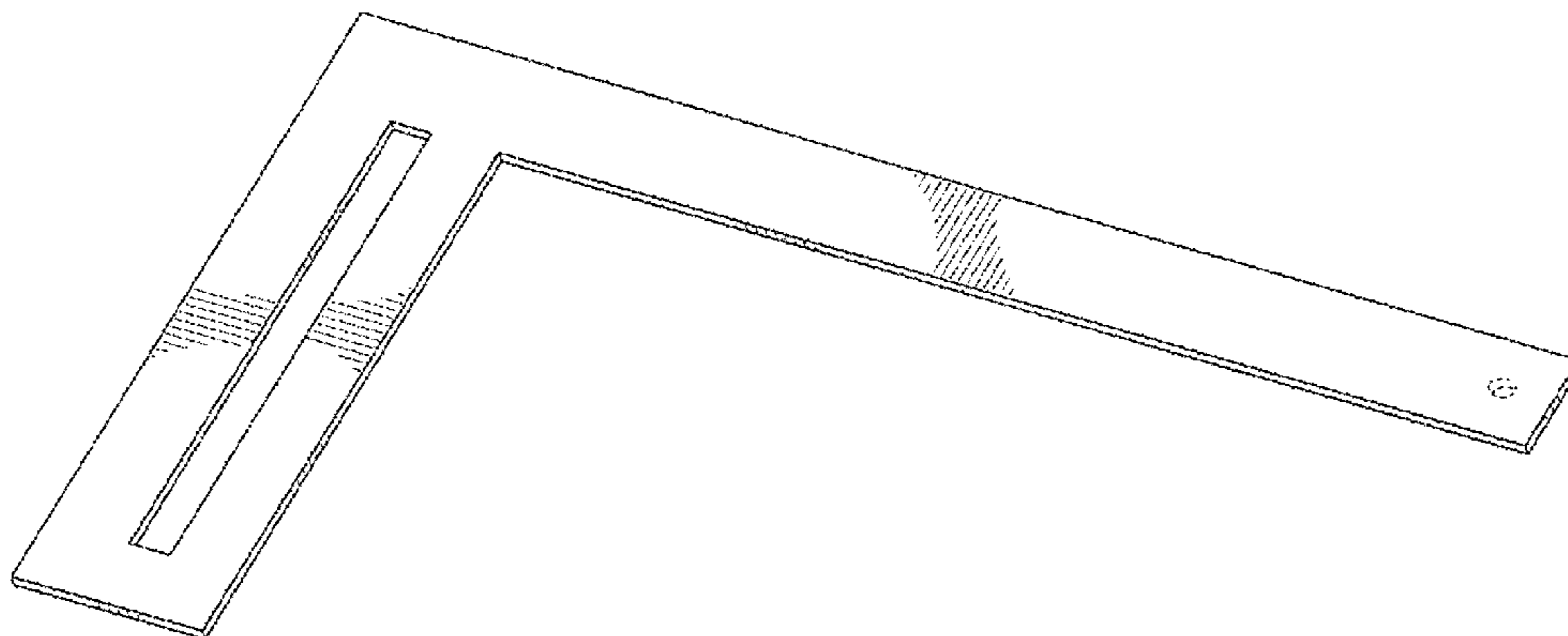
(57) **CLAIM**

The ornamental design for a metal framing layout square, as shown and described.

**DESCRIPTION**

FIG. 1 is a front top perspective view of the present invention. FIG. 2 is a top plan view of FIG. 1. FIG. 3 is a bottom plan view of FIG. 1. FIG. 4 is a left side elevation view of FIG. 1. FIG. 5 is a right side elevation view of FIG. 1. FIG. 6 is a front side elevation view of FIG. 1. FIG. 7 is a back side elevation view of FIG. 1. FIG. 8 is a front perspective view of another embodiment of the present invention. FIG. 9 is a top plan view of FIG. 8. FIG. 10 is a bottom plan view of FIG. 8. FIG. 11 left side elevation view of FIG. 8. FIG. 12 is a right side elevation view of FIG. 8. FIG. 13 is a front elevation view of FIG. 8; and, FIG. 14 is rear elevation view of FIG. 8. The surfaces are lightly lined for contour only.

**1 Claim, 10 Drawing Sheets**



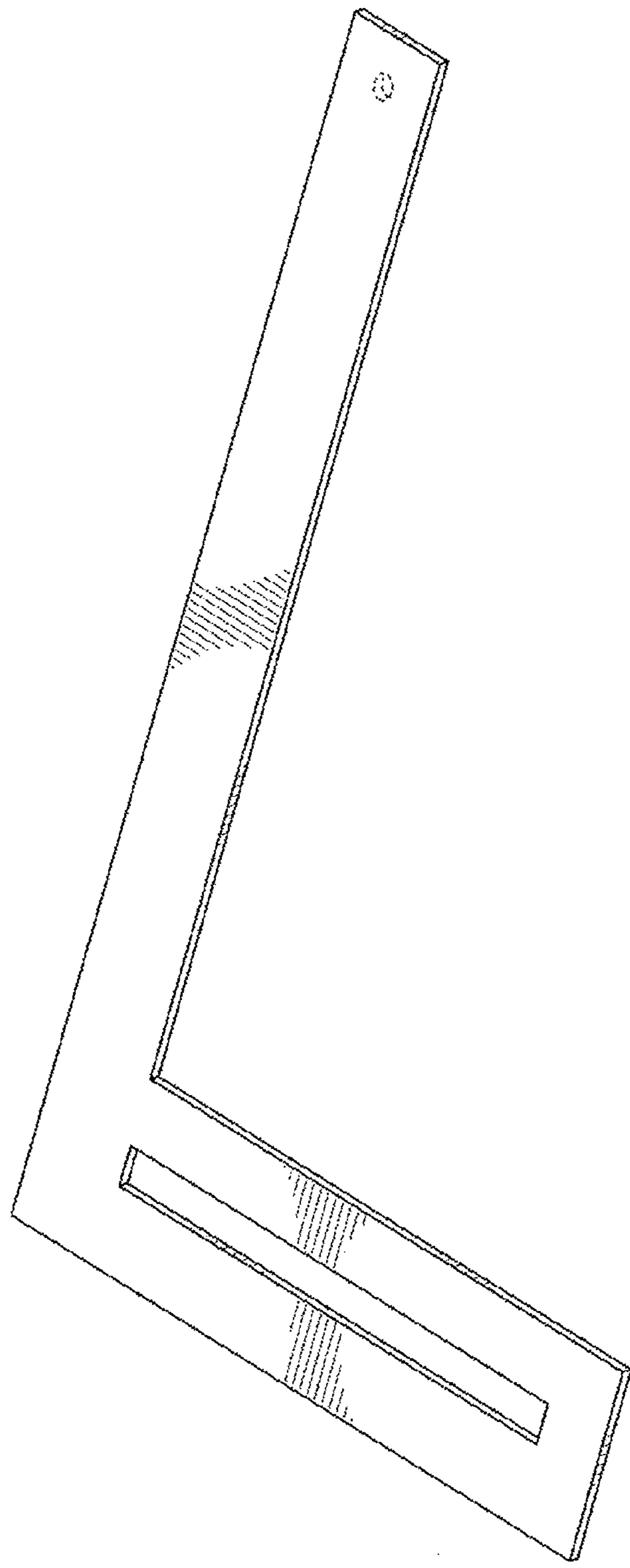


FIG. 1

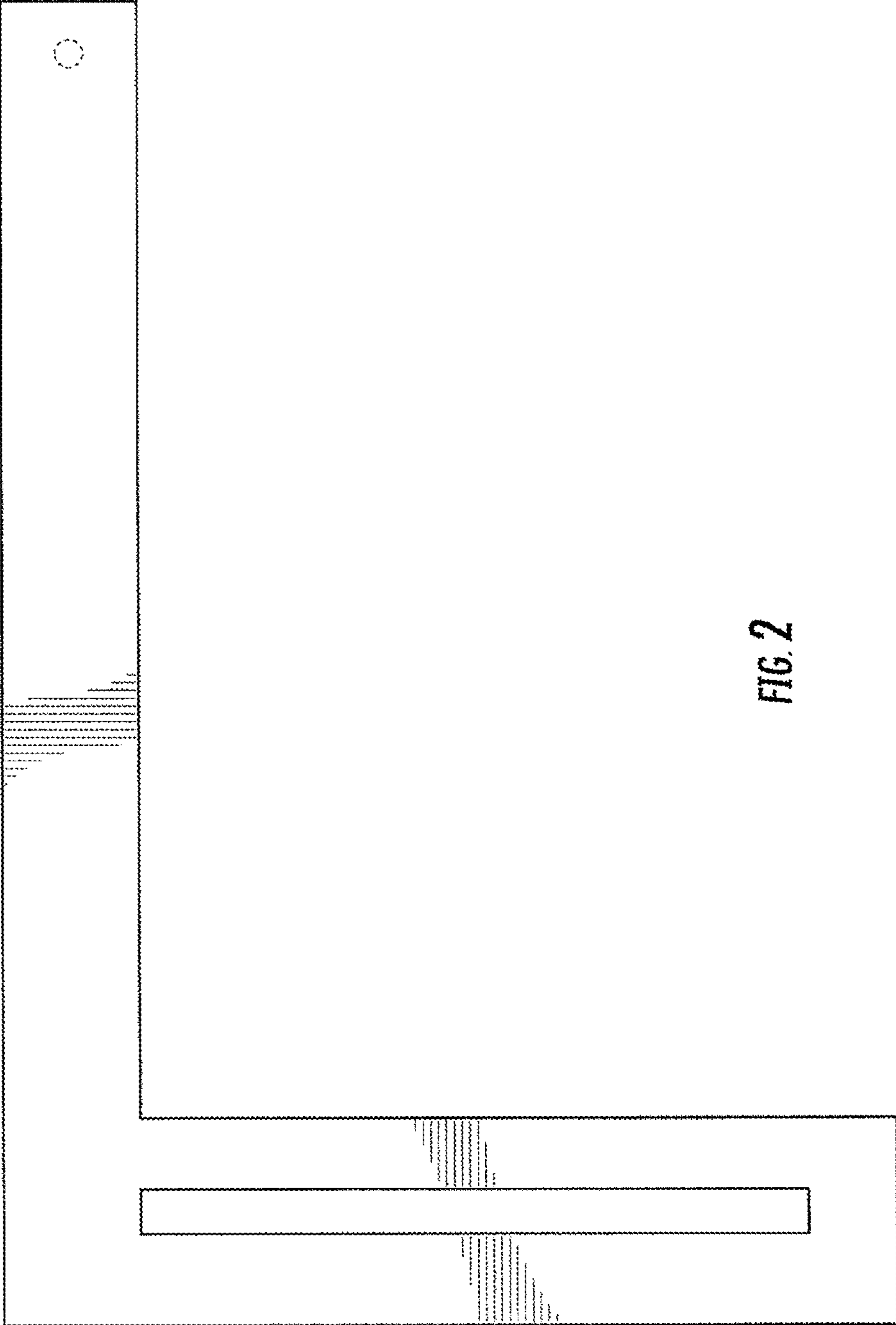


FIG. 2

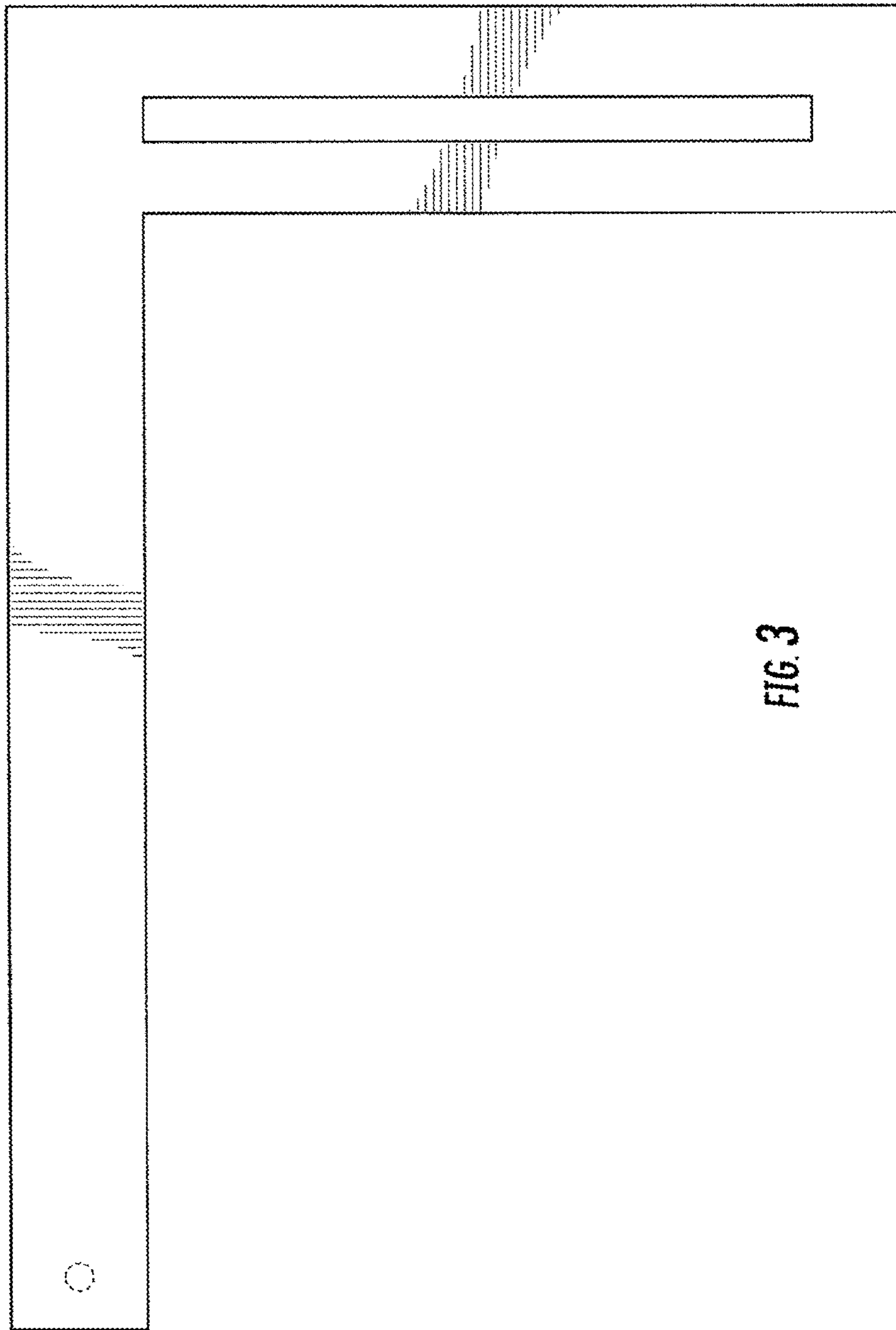


FIG. 3

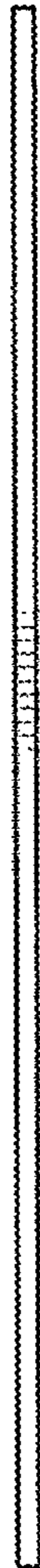
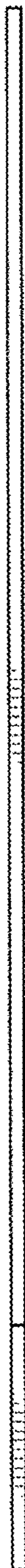


FIG. 4



FIG. 5



**FIG. 6**



**FIG. 7**

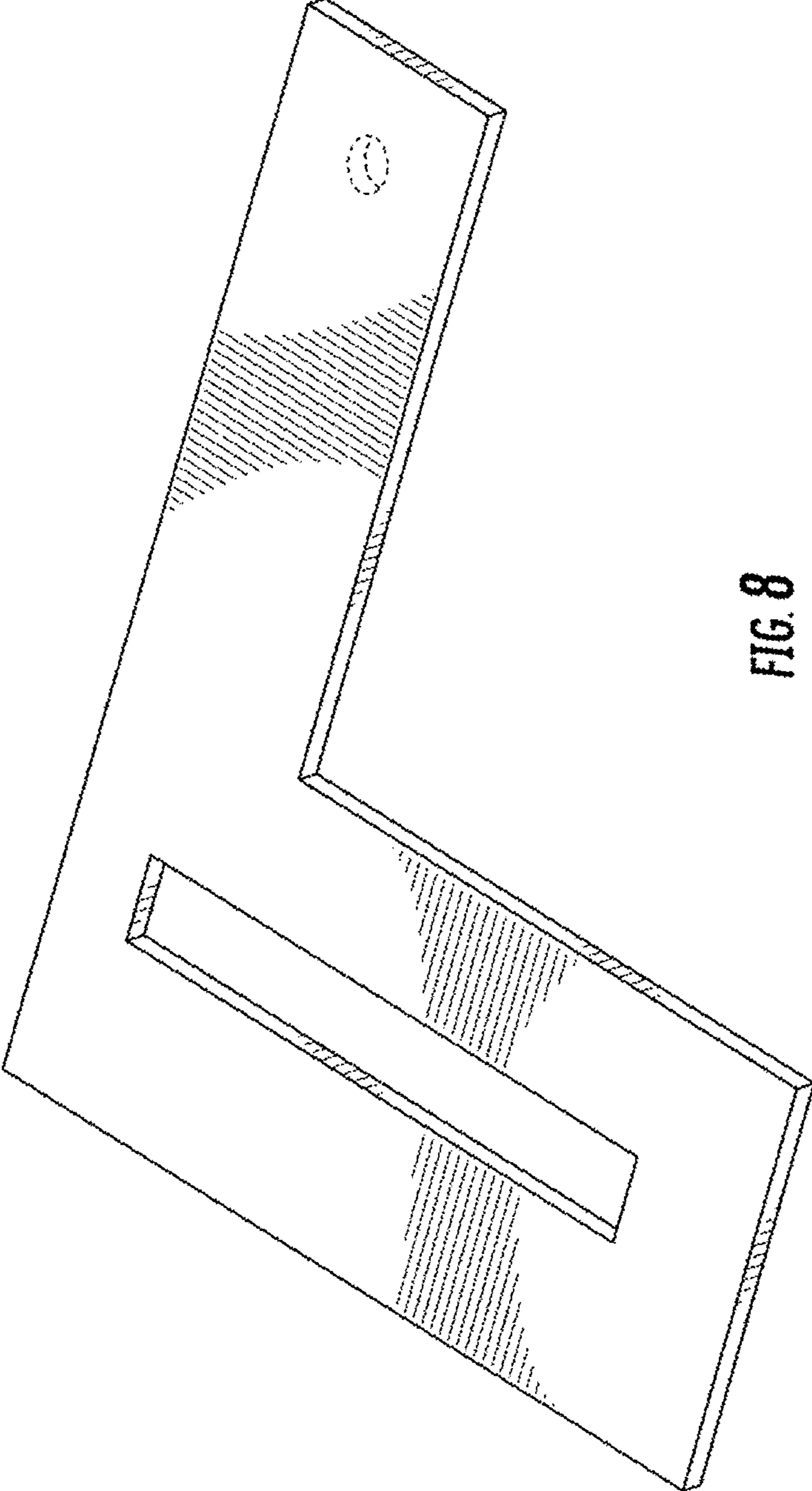
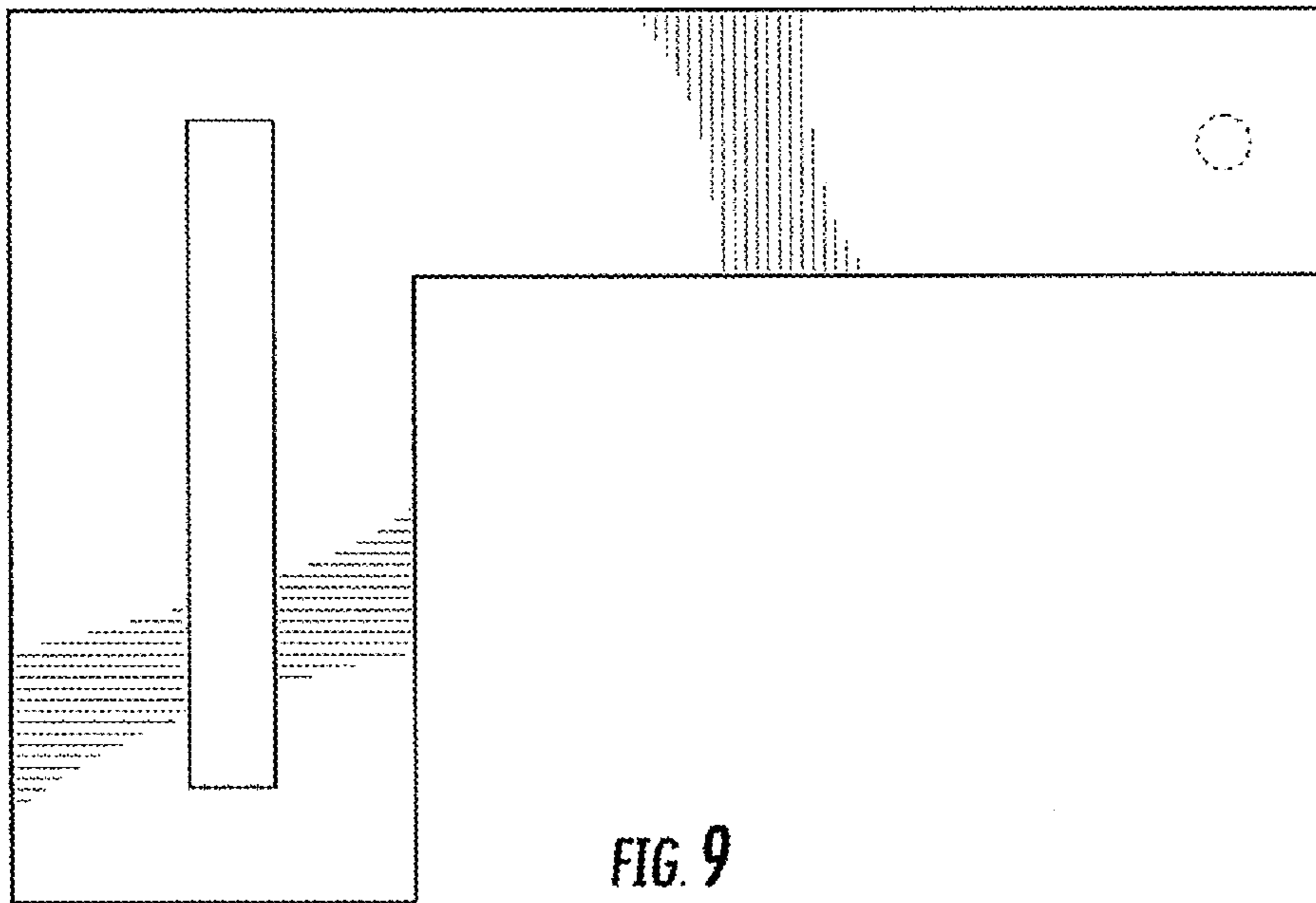


FIG. 8





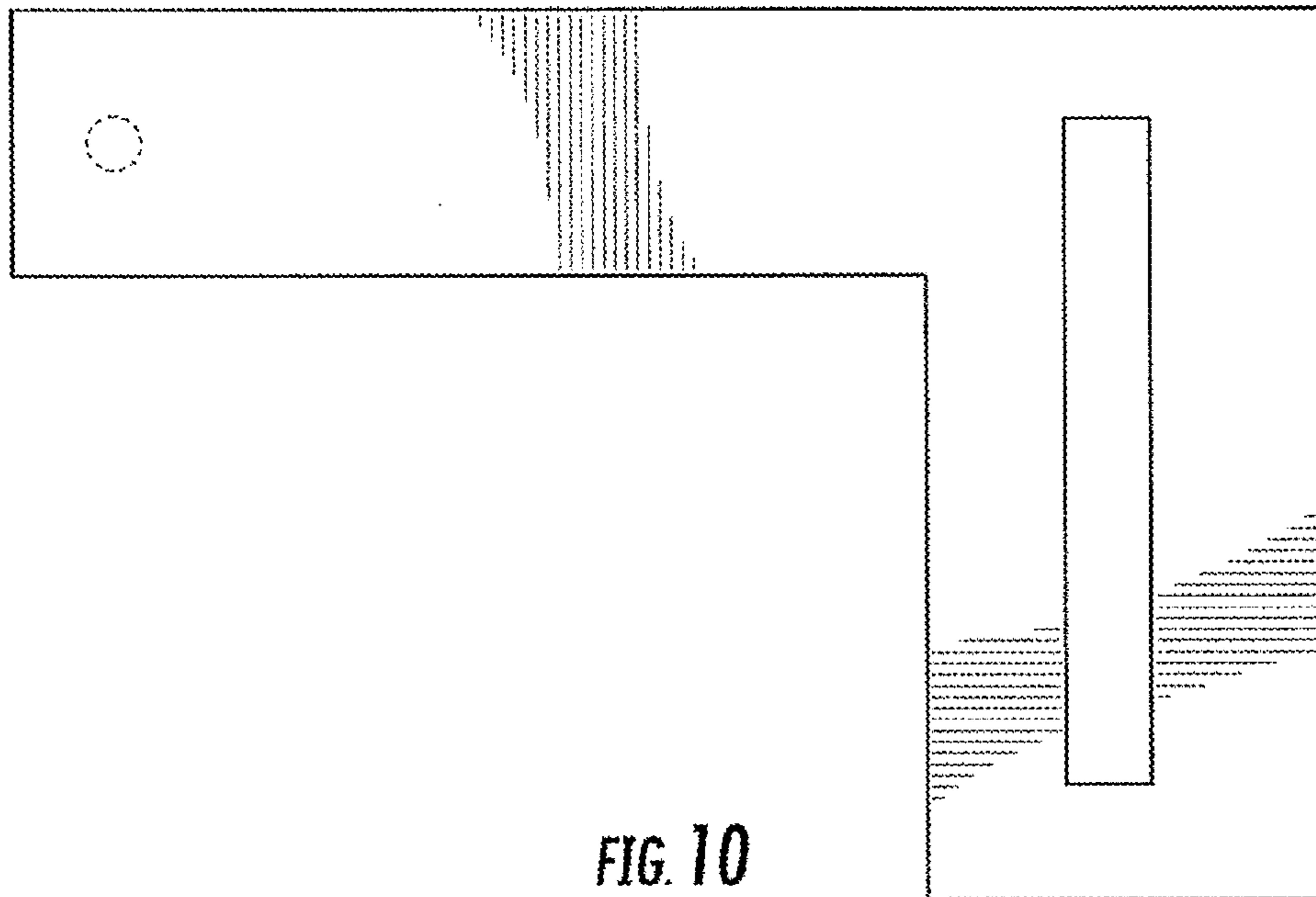


FIG. 10



FIG. 11

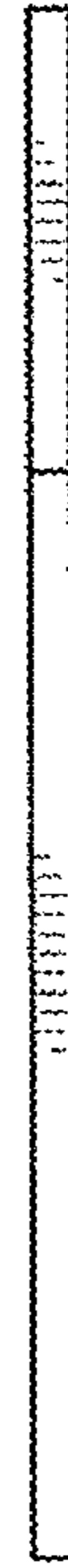


FIG. 12



FIG. 13

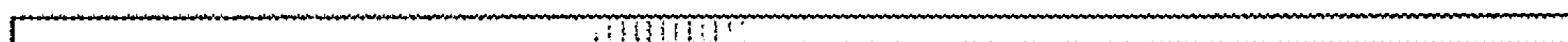


FIG. 14