



US00D741730S

(12) **United States Design Patent**
Crees et al.

(10) **Patent No.:** **US D741,730 S**
(45) **Date of Patent:** **** Oct. 27, 2015**

(54) **DISPLAY**

- (71) Applicant: **FLIR Systems, Inc.**, Wilsonville, OR (US)
- (72) Inventors: **Andrew John Crees**, Hampshire (GB);
Andrew James Last, Suffolk (GB);
Richard James Mold, Somerset (GB)
- (73) Assignee: **FLIR Systems, Inc.**, Wilsonville, OR (US)
- (**) Term: **14 Years**
- (21) Appl. No.: **29/517,951**
- (22) Filed: **Feb. 18, 2015**

Related U.S. Application Data

- (63) Continuation of application No. 29/513,791, filed on Jan. 5, 2015.
- (51) **LOC (10) Cl.** **10-04**
- (52) **U.S. Cl.**
USPC **D10/65**
- (58) **Field of Classification Search**
USPC D10/65, 70
CPC G01C 21/20; G01C 21/203; G01C 13/008;
G01S 15/88; G01S 15/89–15/8997; G01S
15/025; G01S 7/56–7/629
See application file for complete search history.

(56) **References Cited**

U.S. PATENT DOCUMENTS

D422,924	S	*	4/2000	Bendinelli	D10/65
D625,629	S	*	10/2010	McAlpine et al.	D10/65
8,296,001	B1	*	10/2012	Kabel et al.	701/21
D702,138	S	*	4/2014	Emge et al.	D10/65
2014/0015259	A1	*	1/2014	Harrigan	292/156
2015/0039222	A1	*	2/2015	Kabel et al.	701/454

* cited by examiner

Primary Examiner — Antoine D Davis

(74) *Attorney, Agent, or Firm* — Haynes and Boone, LLP

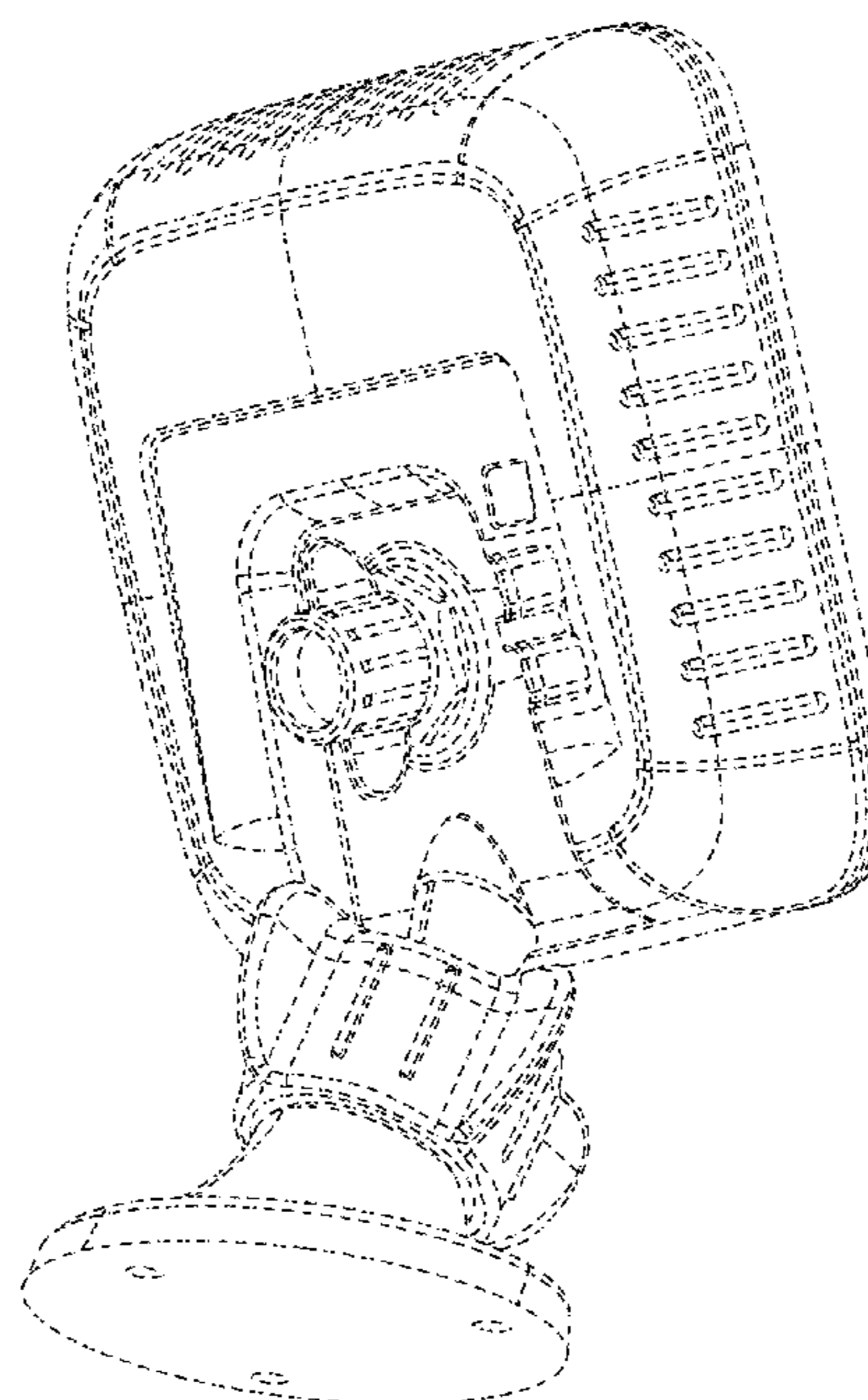
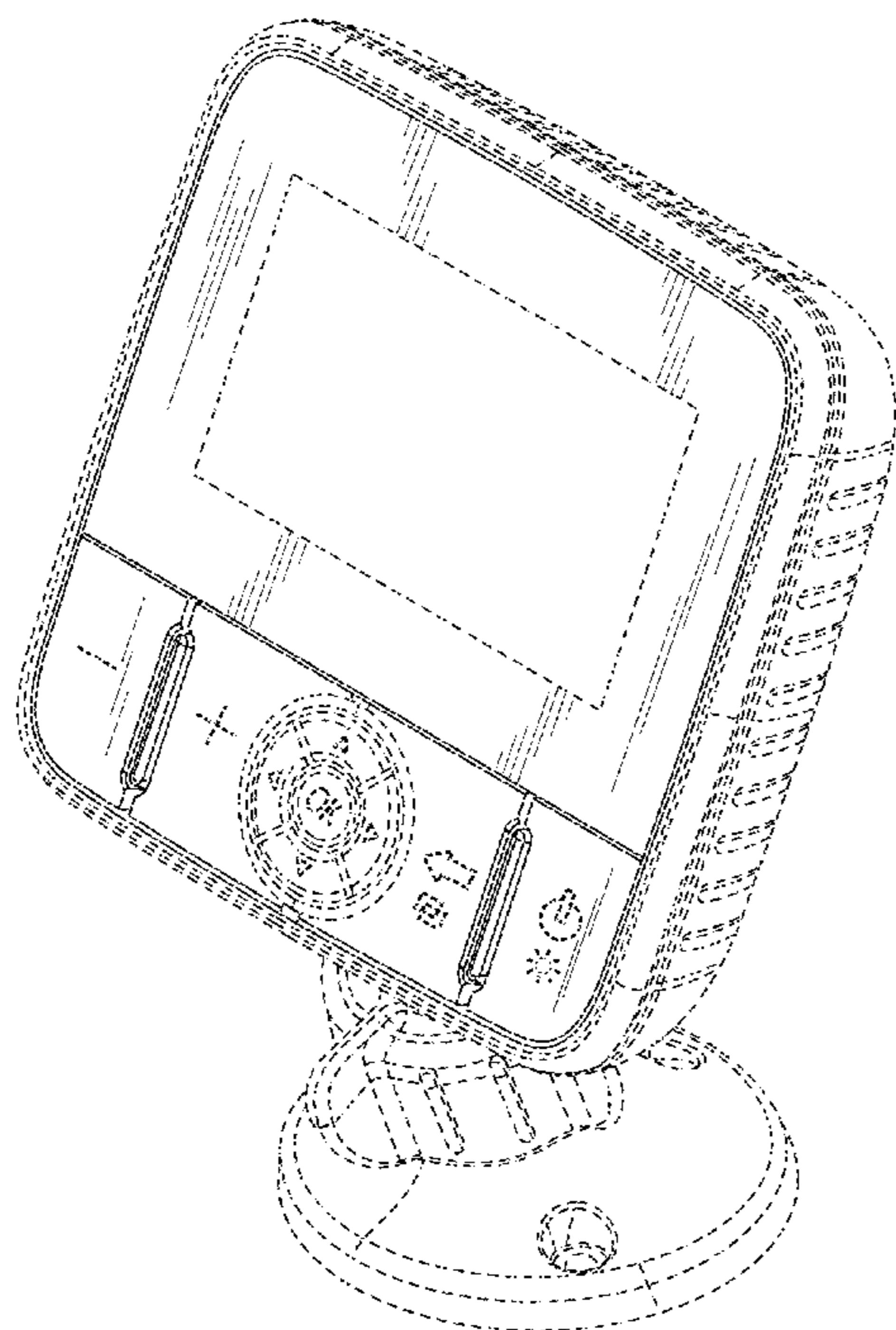
(57) **CLAIM**

The ornamental design for a display, as shown and described.

DESCRIPTION

FIG. 1 is a top-front-left perspective view of a display embodying the new design;
 FIG. 2 is a front elevational view thereof;
 FIG. 3 is a rear elevational view thereof;
 FIG. 4 is a top plan view thereof;
 FIG. 5 is a bottom plan view thereof;
 FIG. 6 is a right side elevational view thereof;
 FIG. 7 is a left side elevational view thereof;
 FIG. 8 is a bottom-rear-right perspective view thereof; and,
 FIG. 9 is a front elevational view of a second display embodying a second embodiment of the new design.
 The broken lines in the figures are shown for the purpose of illustrating portions of the display and/or environmental matter and form no part of the claimed design.

1 Claim, 9 Drawing Sheets



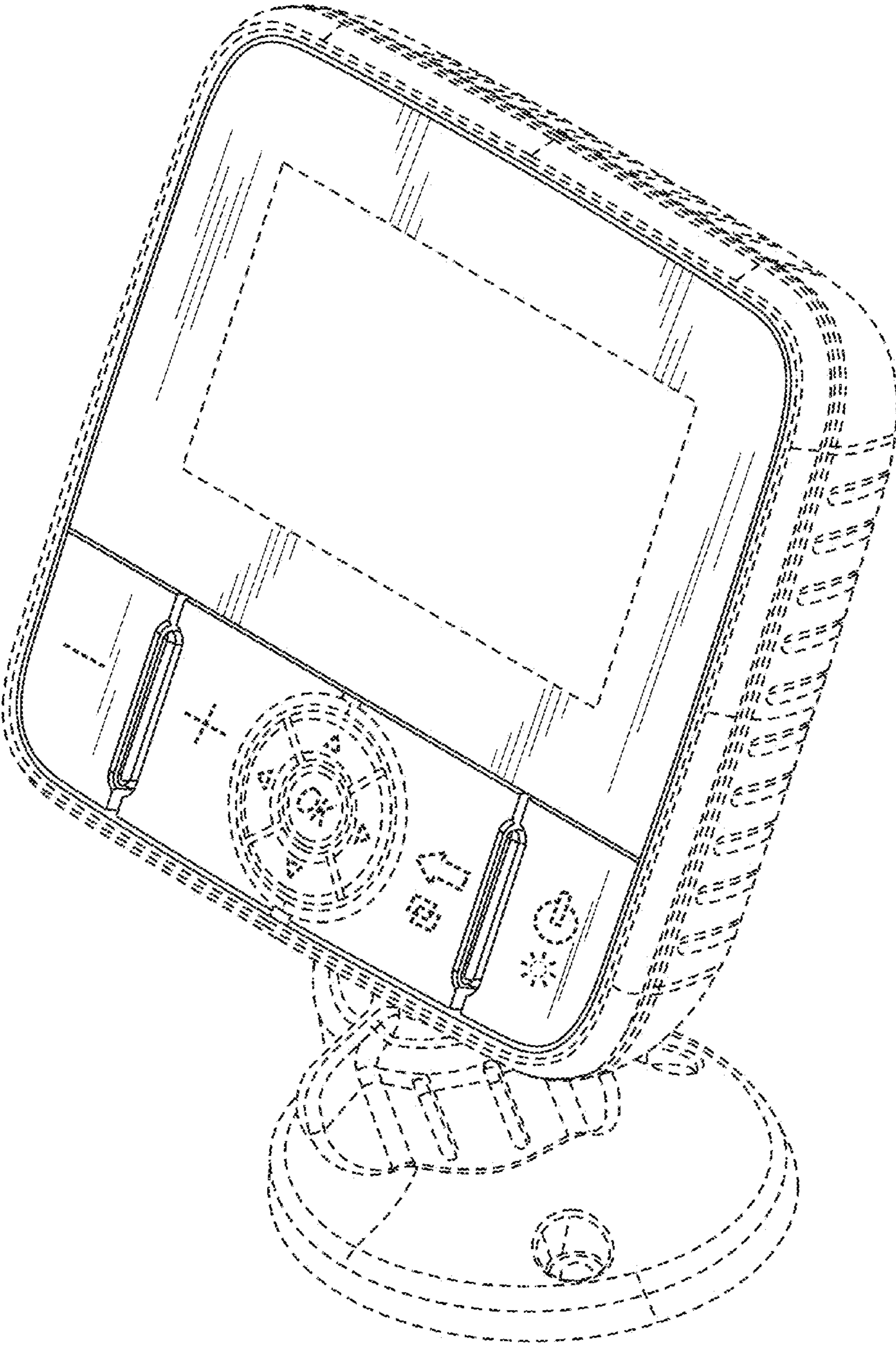


FIG. 1

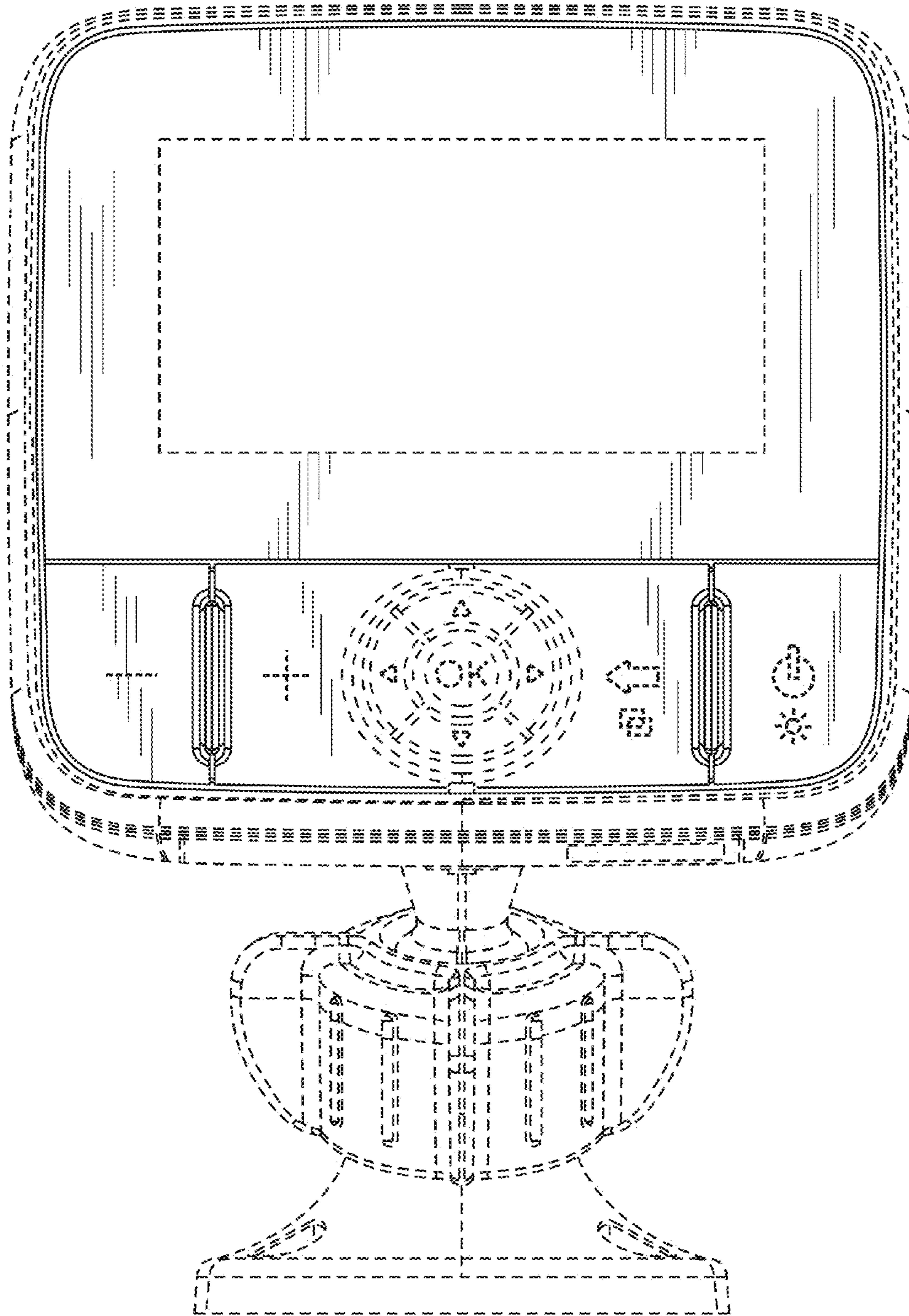


FIG. 2

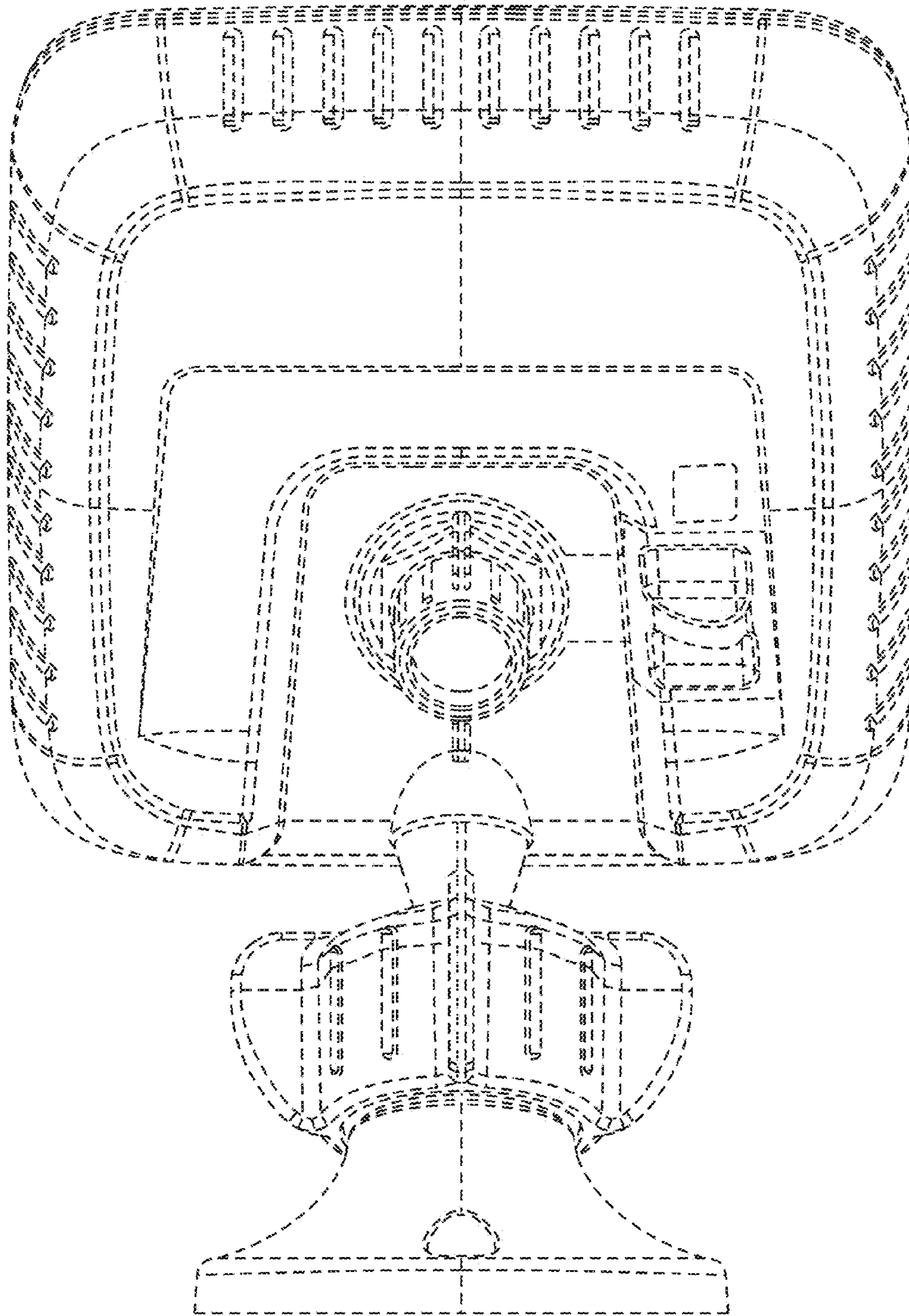


FIG. 3

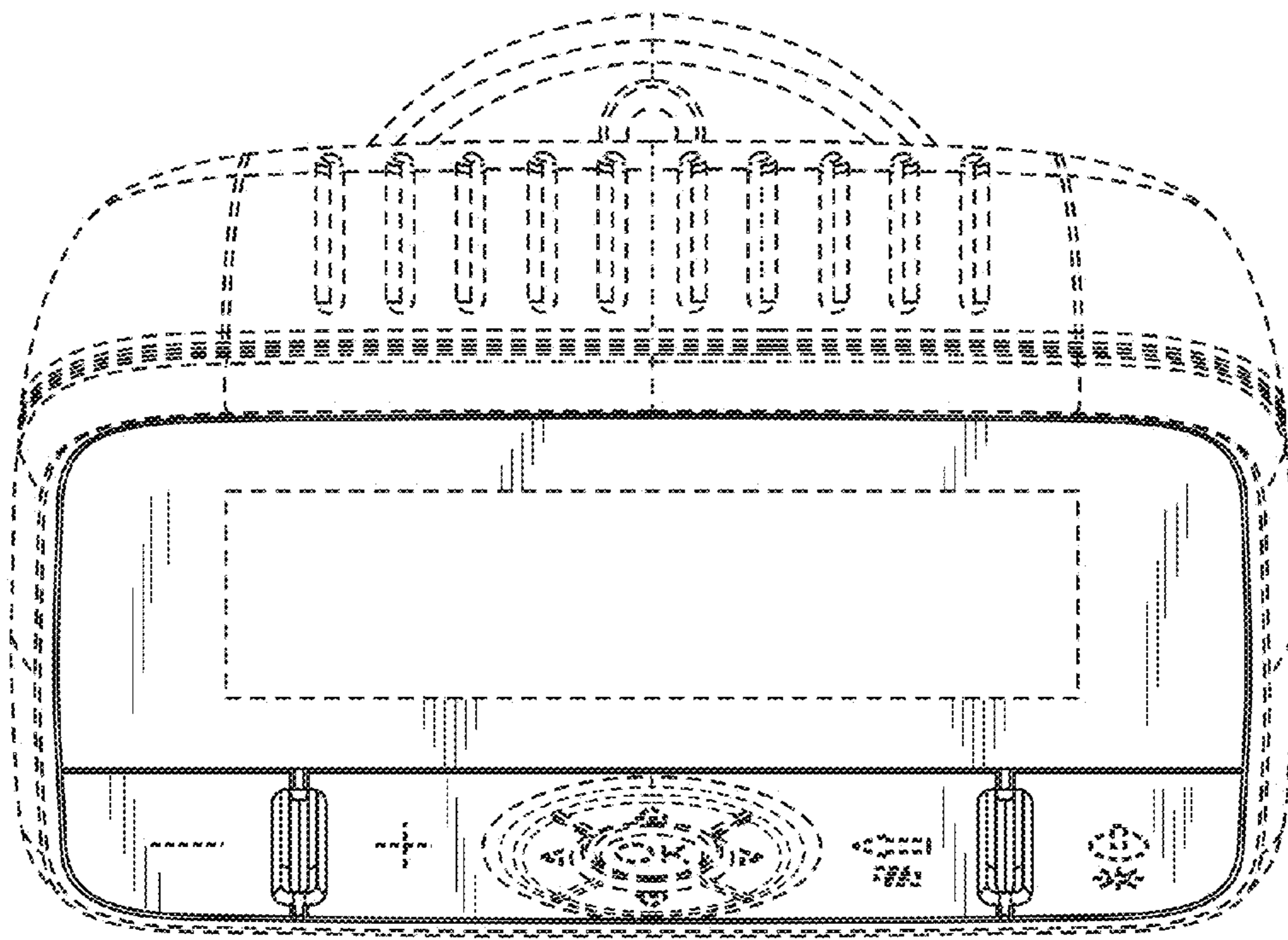


FIG. 4

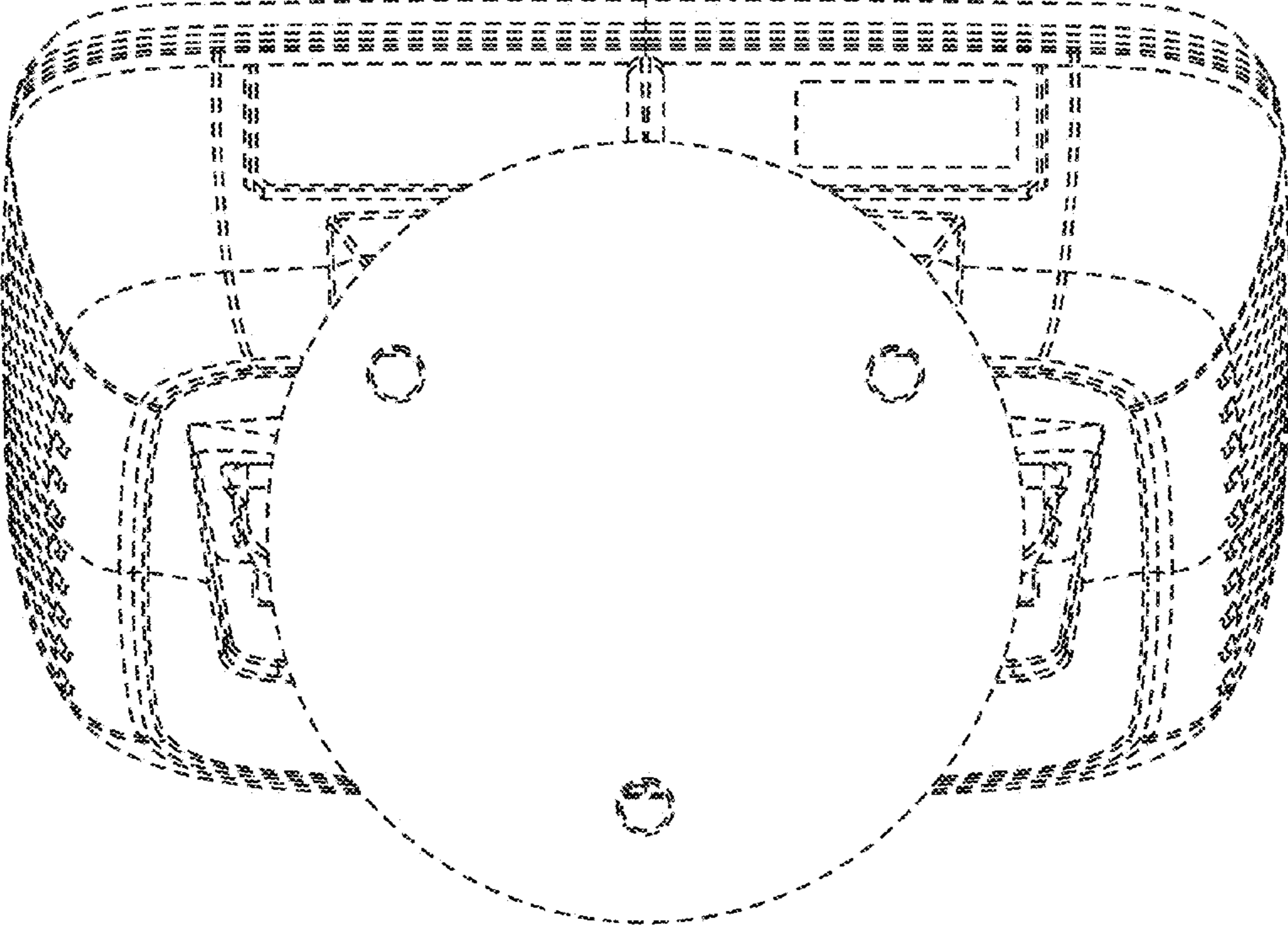


FIG. 5

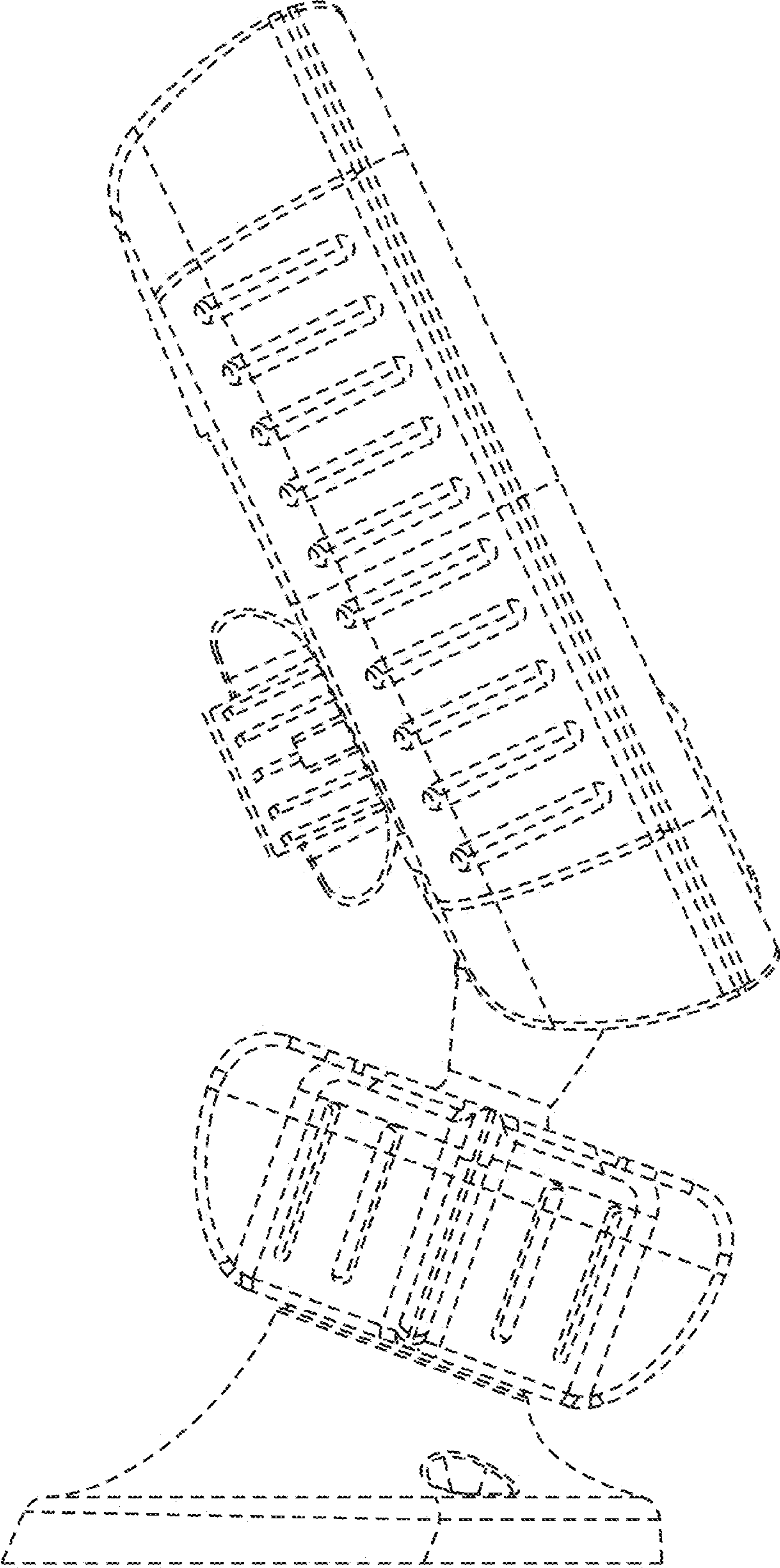


FIG. 6

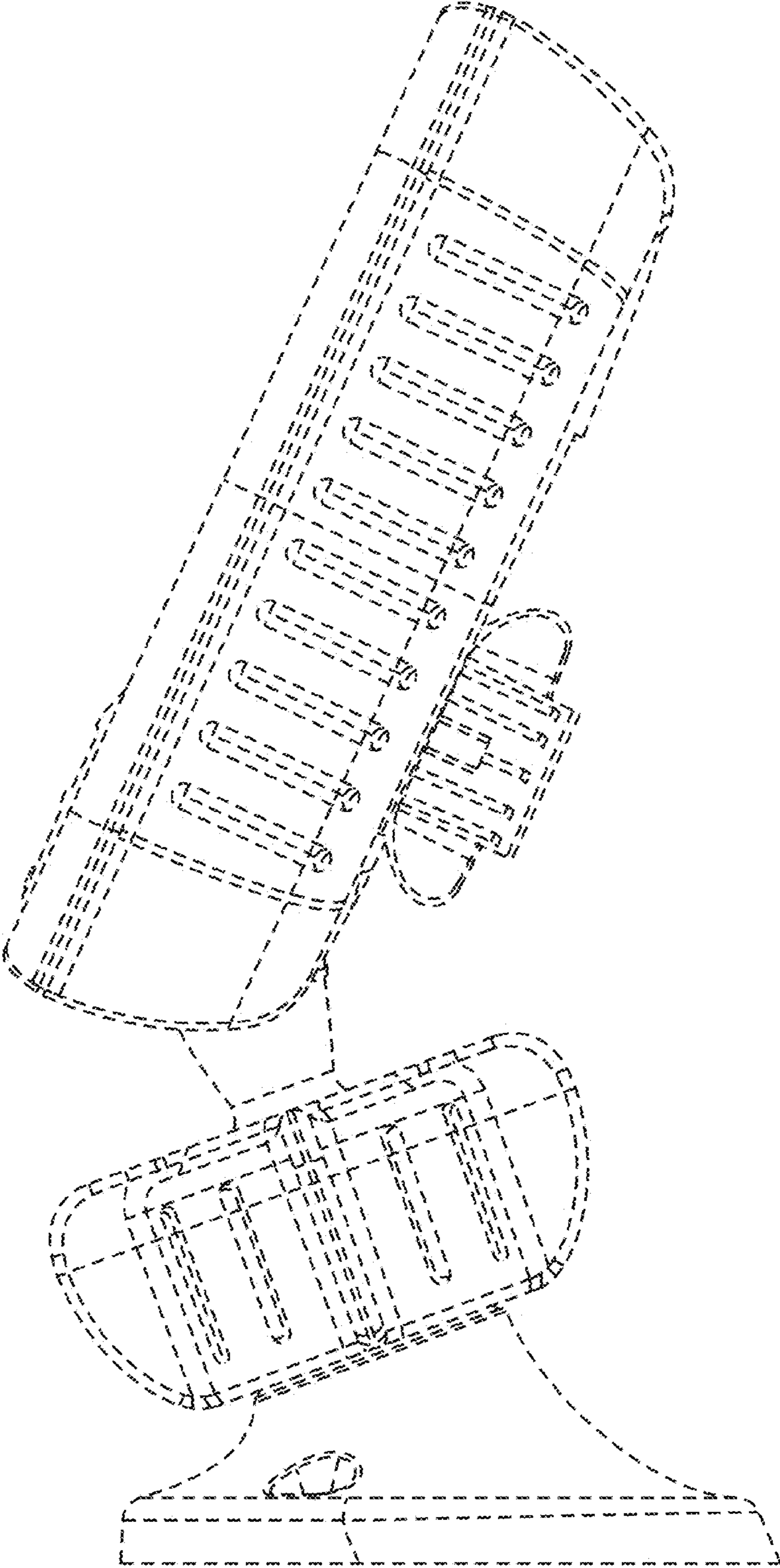


FIG. 7

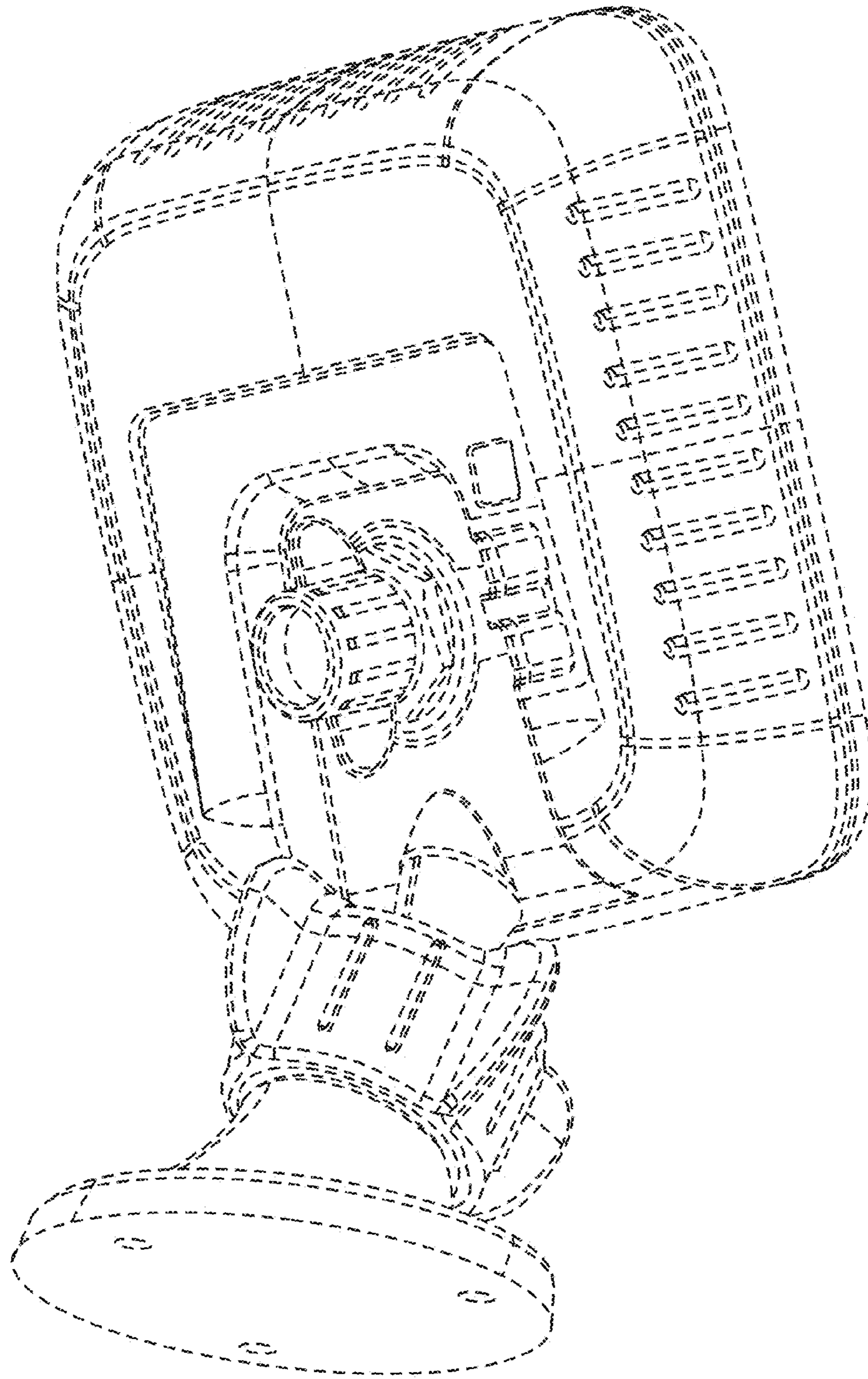


FIG. 8

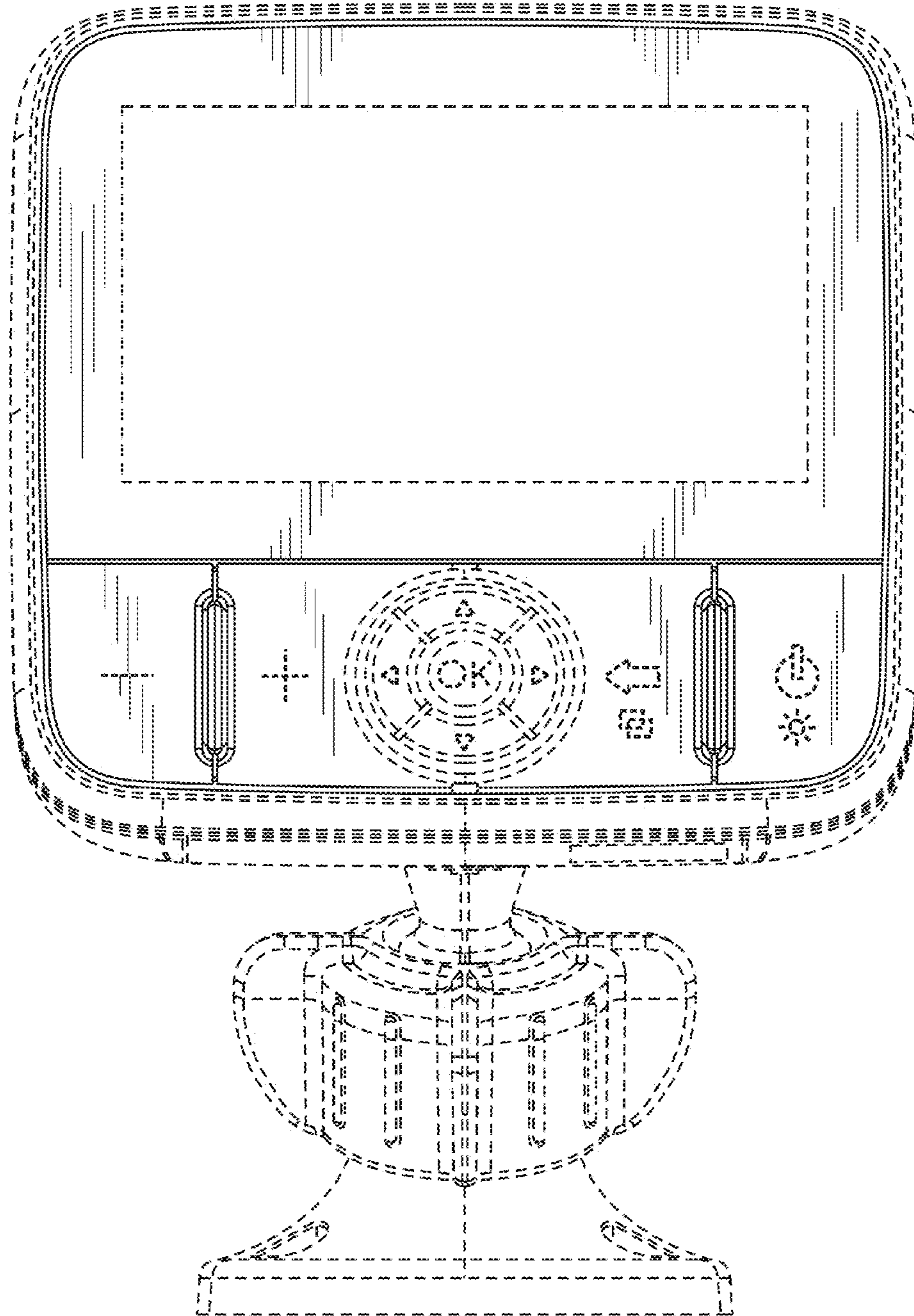


FIG. 9