



US00D741728S

(12) **United States Design Patent**
Gettings et al.

(10) **Patent No.:** **US D741,728 S**
(45) **Date of Patent:** **** Oct. 27, 2015**

(54) **NIGHTLIGHT AND AIR SENSOR**

(71) Applicant: **Leo, Inc.**, Palo Alto, CA (US)
(72) Inventors: **Adam M. Gettings**, Red Wing, MN (US); **Victoria Slaker**, San Francisco, CA (US)
(73) Assignee: **Leo, Inc.**, Palo Alto, CA (US)
(**) Term: **14 Years**
(21) Appl. No.: **29/483,657**

(22) Filed: **Feb. 28, 2014**
(51) **LOC (10) Cl.** **10-04**
(52) **U.S. Cl.**
USPC **D10/52**; D10/53; D26/10; D13/165

(58) **Field of Classification Search**
USPC D26/9, 10, 12, 13, 15, 16, 24, 51, 61, D26/72, 76, 80, 81, 85, 86, 88, 90, 113, 118, D26/119, 120, 122, 128, 129, 138, 143, D26/144; D13/180, 165; D10/52, 53
CPC F21S 8/026; F21S 8/04; F21V 29/004; F21V 21/02; F21V 29/2212; F21V 21/04; F21Y 2101/02; G01N 2201/12707; G01N 33/0075; G01N 33/0021; G01N 29/27; G01N 29/26; G01N 27/9033; G01N 27/404; G01N 2021/458; G01N 27/4078; G01N 27/4071; G01N 27/4145; G01N 27/225; G01N 27/414; G01N 27/227; G01N 27/129; G01N 2021/7793; G01N 2021/7769; G01N 2021/7756; G01N 2021/4716; G01R 33/1269
See application file for complete search history.

(56) **References Cited**

U.S. PATENT DOCUMENTS

1,742,990 A * 1/1930 Gokhale 324/242
D98,769 S * 3/1936 Horwitt D10/15
D150,357 S * 7/1948 Herbster D23/390

(Continued)

FOREIGN PATENT DOCUMENTS

CA 2484047 A1 * 5/2006 F21V 21/04
EP 1724523 A1 * 11/2006 A47B 97/00

(Continued)

OTHER PUBLICATIONS

Circle—15 pixels on the sensor, image post date Sep. 12, 2012, site visited Feb. 10, 2015, (online), <<http://blog.theassociation.tv/notes-from-the-manual-histograms-part-ii/>>.*

(Continued)

Primary Examiner — Kevin Rudzinski
Assistant Examiner — Sean D Lough
(74) *Attorney, Agent, or Firm* — Hudak Consulting Group, LLC

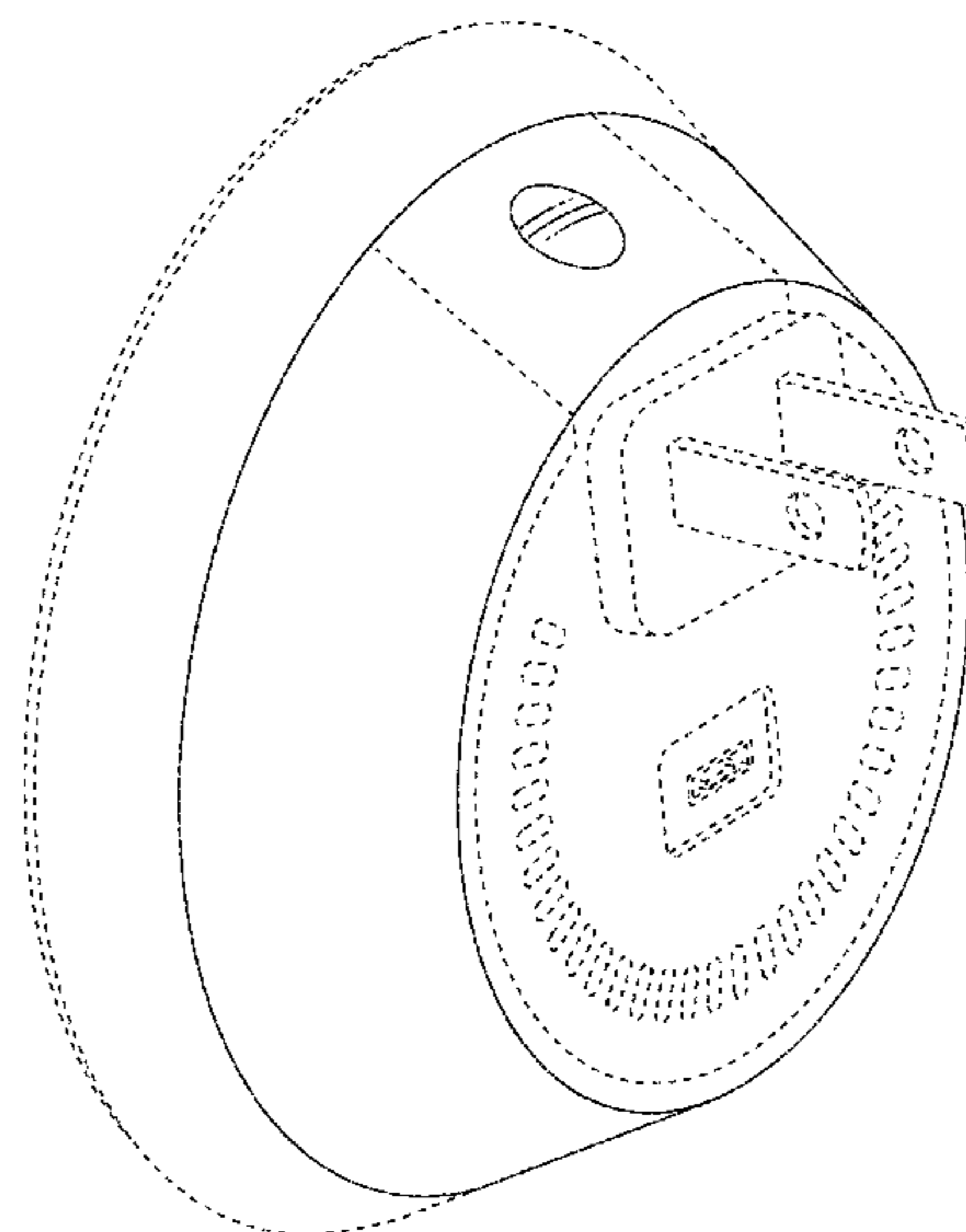
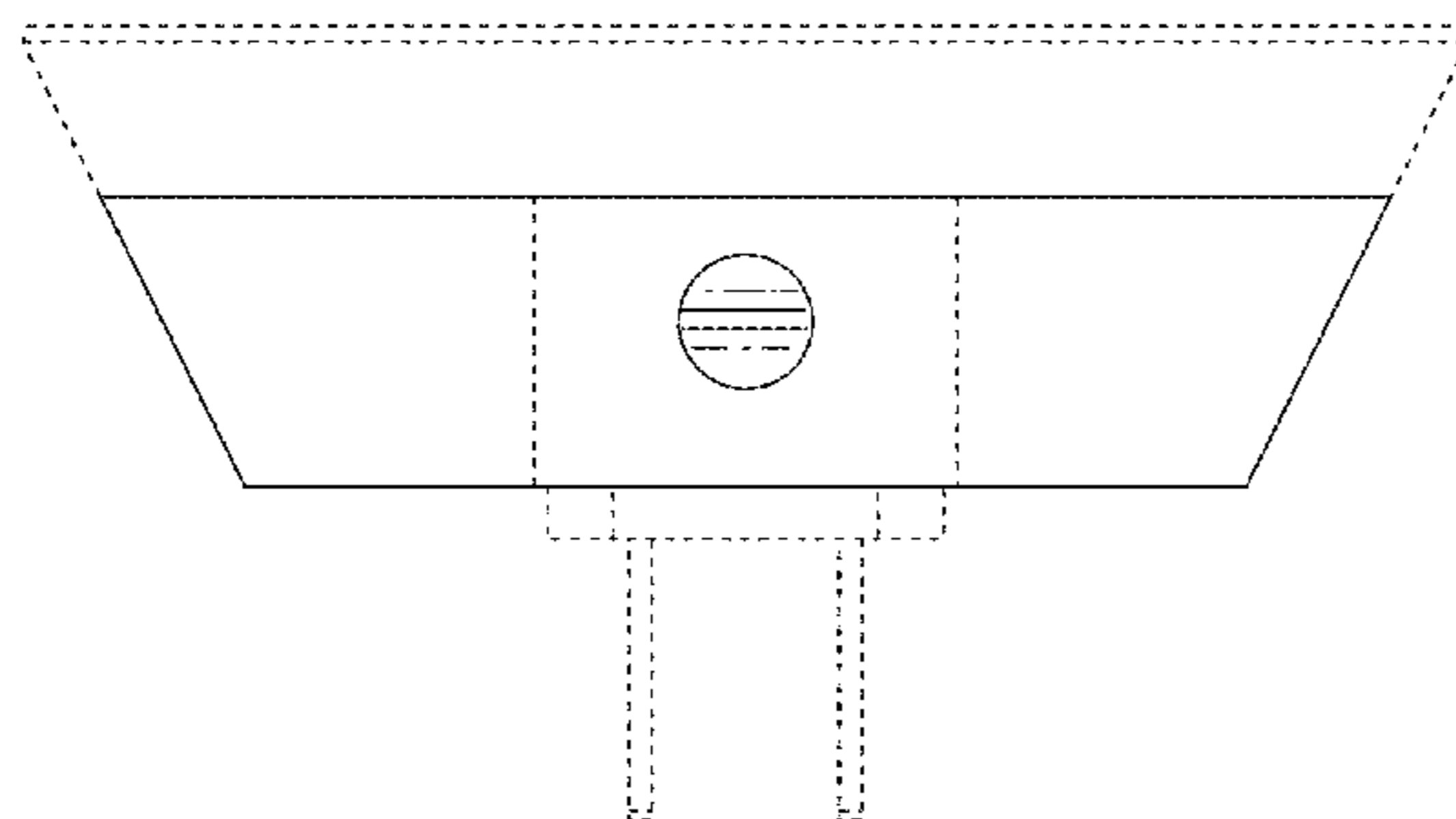
(57) **CLAIM**

The ornamental design for a nightlight and air sensor, as shown and described.

DESCRIPTION

FIG. 1 is a front side perspective view of a nightlight and air sensor;
FIG. 2 is a bottom view thereof;
FIG. 3 is a left side elevation view thereof;
FIG. 4 is a rear elevation view thereof;
FIG. 5 is a front bottom perspective view thereof;
FIG. 6 is a right side elevation view thereof;
FIG. 7 is a front elevation view thereof;
FIG. 8 is a top elevation view thereof;
FIG. 9 is a rear bottom perspective view thereof;
FIG. 10 is a rear top perspective view thereof; and,
FIG. 11 is a rear bottom perspective view thereof.
All features illustrated in phantom line are expressly disclaimed and form no part of the claimed design.

1 Claim, 11 Drawing Sheets



(56)

References Cited

U.S. PATENT DOCUMENTS

D152,806 S * 2/1949 Klein D26/63
 3,070,539 A * 12/1962 Arthur et al. 204/415
 3,380,905 A * 4/1968 Clark, Jr. 204/415
 3,476,670 A * 11/1969 Weiner 204/403.06
 3,499,664 A * 3/1970 Burns 285/2
 3,777,552 A * 12/1973 Fletcher et al. 73/622
 3,919,067 A * 11/1975 Carson et al. 204/412
 3,988,665 A * 10/1976 Neumaier et al. 324/240
 4,271,706 A * 6/1981 Ledley 73/614
 4,837,499 A * 6/1989 Scherer, III 324/696
 4,900,595 A * 2/1990 Kettle 428/34.4
 D309,786 S * 8/1990 Chien D26/67
 D312,581 S * 12/1990 Klaves et al. D10/50
 4,977,314 A * 12/1990 Niwa 250/214.1
 D325,789 S * 4/1992 Atkinson D26/63
 D346,239 S * 4/1994 Vamberszky et al. D26/118
 5,327,080 A * 7/1994 Haller 324/219
 D349,777 S * 8/1994 Kelly et al. D26/63
 D355,723 S * 2/1995 Roos et al. D26/63
 D360,139 S * 7/1995 Pistilli D10/15
 D378,435 S * 3/1997 Trombley D26/68
 D387,566 S * 12/1997 Celentano et al. D6/300
 D402,654 S * 12/1998 Consolo D14/144
 D403,048 S * 12/1998 Allah D23/228
 D403,982 S * 1/1999 Longsdorf et al. D11/132
 D407,518 S * 3/1999 Yeh D26/63
 5,985,379 A * 11/1999 Longsdorf et al. 428/13
 6,114,849 A * 9/2000 Price et al. 324/240
 D435,460 S * 12/2000 Cebe et al. D10/31
 D438,980 S * 3/2001 Hehenberger D24/217
 6,234,649 B1 * 5/2001 Katougi 362/248
 D464,862 S * 10/2002 Younani D8/301
 D469,562 S * 1/2003 Crasset D26/90
 D472,669 S * 4/2003 Homann D26/118
 D473,145 S * 4/2003 Chang D10/2
 D480,488 S * 10/2003 Shih D26/28
 6,850,324 B1 * 2/2005 De Metz 356/336
 D512,694 S * 12/2005 Kim et al. D13/180
 7,151,301 B2 * 12/2006 Yoo et al. 257/401
 D549,601 S * 8/2007 Chan D10/52
 D553,536 S * 10/2007 Andren et al. D11/3
 D556,364 S * 11/2007 McDowell D26/118
 7,295,004 B2 * 11/2007 Kroner 324/220
 D562,144 S * 2/2008 Lane D9/556
 D572,196 S * 7/2008 Rohlf D13/133
 D580,184 S * 11/2008 Svendsen et al. D6/309
 D593,043 S * 5/2009 Song D13/180
 7,528,599 B2 * 5/2009 Zimmerman 324/242
 D597,704 S * 8/2009 Peng D26/118
 D604,644 S * 11/2009 Ahlstrom D10/31
 D608,038 S * 1/2010 Chan D26/60
 D609,840 S * 2/2010 Tang D26/74
 D611,187 S * 3/2010 Waring D26/138
 D615,052 S * 5/2010 Imai et al. D13/180

D627,311 S * 11/2010 Lai et al. D13/180
 D627,635 S * 11/2010 Krupa D9/429
 D634,882 S * 3/2011 Kim D26/120
 D651,050 S * 12/2011 Goshi D7/608
 D658,604 S * 5/2012 Egawa et al. D13/180
 D663,880 S * 7/2012 Janssen D26/74
 D663,881 S * 7/2012 Janssen D26/74
 D664,287 S * 7/2012 Cegnar D26/128
 D665,117 S * 8/2012 Yoshida et al. D26/74
 D666,940 S * 9/2012 Dunn D11/184
 D676,598 S * 2/2013 Davidson D26/138
 D679,047 S * 3/2013 Tickner et al. D26/124
 D681,867 S * 5/2013 Wegger et al. D26/124
 D683,489 S * 5/2013 Lee D26/39
 8,452,255 B2 * 5/2013 Orth 455/343.5
 8,513,029 B2 * 8/2013 Zhou 436/518
 D693,046 S * 11/2013 Hokazono D26/89
 D699,387 S * 2/2014 Snell et al. D26/124
 D701,050 S * 3/2014 Yang et al. D6/309
 8,704,278 B2 * 4/2014 Juang et al. 257/253
 D705,481 S * 5/2014 Zhang et al. D26/118
 8,780,338 B2 * 7/2014 Suzuki et al. 356/73
 D711,257 S * 8/2014 Sargent et al. D10/52
 D712,963 S * 9/2014 Fleet D19/113
 D716,490 S * 10/2014 De Bevilacqua et al. D26/90
 8,872,527 B2 * 10/2014 Sturmer et al. 324/664
 D720,631 S * 1/2015 Logue D10/46.2
 D723,395 S * 3/2015 Dispenza et al. D10/53
 2011/0080727 A1 * 4/2011 Maxik et al. 362/235
 2011/0134042 A1 * 6/2011 Rayner 345/167
 2012/0009807 A1 * 1/2012 Kuo 439/131
 2012/0106154 A1 * 5/2012 Chang 362/249.02

FOREIGN PATENT DOCUMENTS

EP 2637486 A1 * 9/2013 F21S 8/02
 WO WO 2010143577 A1 * 12/2010 F21S 8/02
 WO WO 2013046319 A1 * 4/2013 F21K 9/30

OTHER PUBLICATIONS

Leo Smart Alert Nightlight, image post date Oct. 2014, site visited Apr. 24, 2015, (online), <<http://www.7gnow.com/2014/10/30044.html>>.*
 Lamps date from Wayback Machine, image post date Feb. 12, 2015, site visited 2-12-15, (online), <<http://web.archive.org/web/20120726140531/http://www.wayfair.com/Lighting-C215735.html>>.*
 Lamps, image post date Jul. 26, 2012, site visited Feb. 12, 2015, (online), <<http://www.wayfair.com/Lighting-C215735.html>>.*
 Hood Light Housing Assembly, image post date May 16, 2015, site visited Jun. 9, 2015, (online), <<http://web.archive.org/web/20150516010836/http://www.hoodfilters.com/hood-light-housing-assembly.html>>.*

* cited by examiner

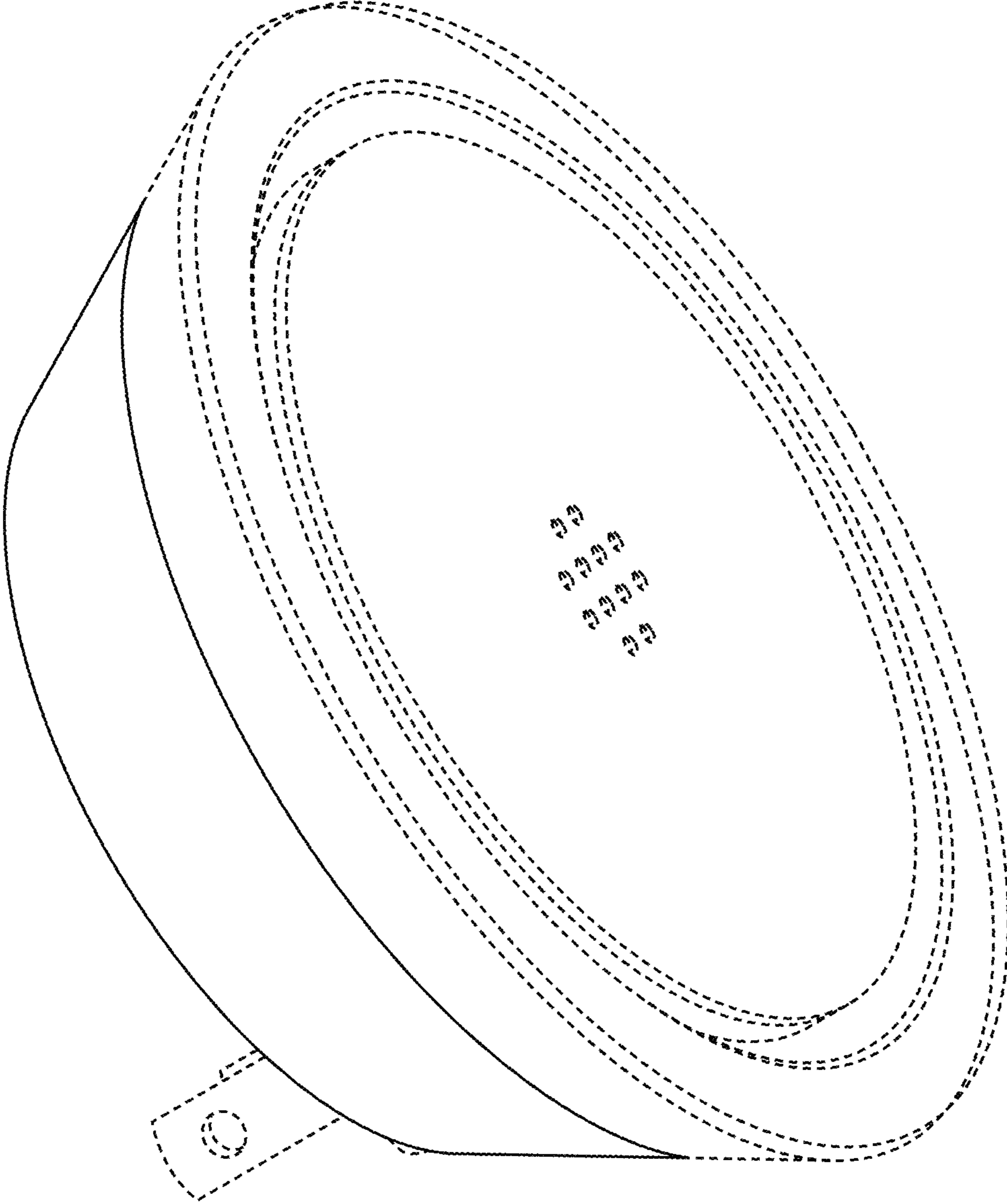


FIG. 1

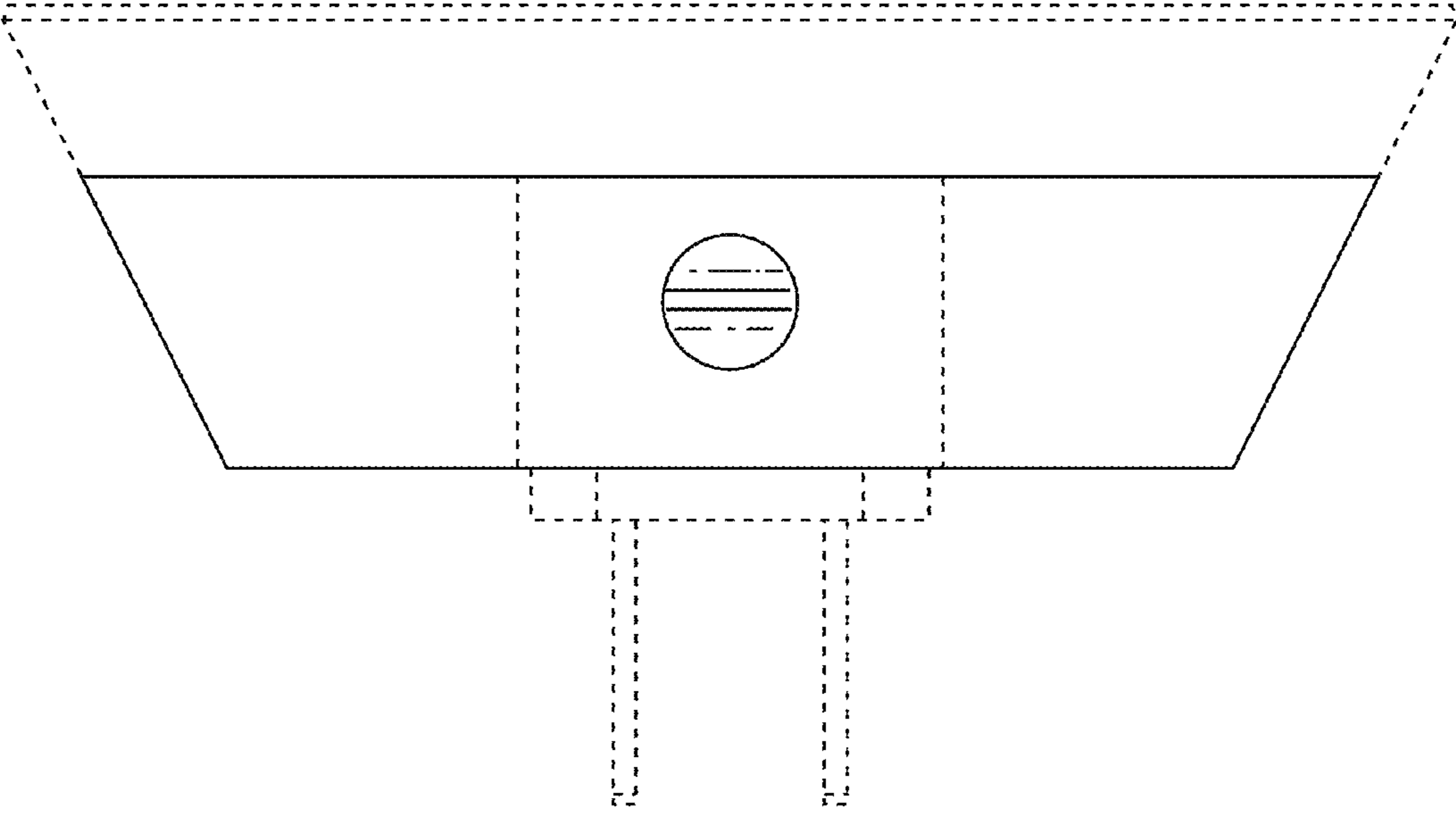


FIG. 2

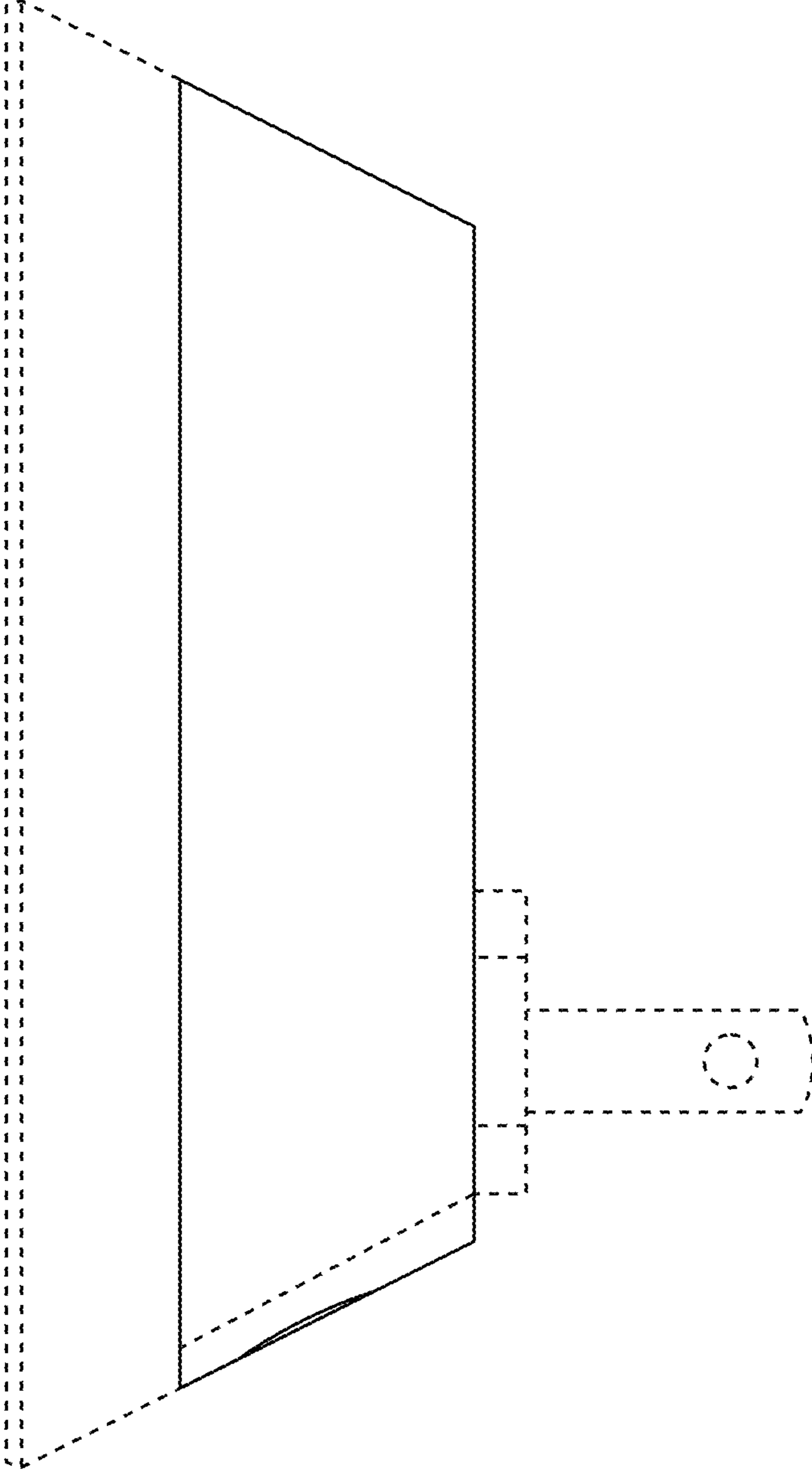


FIG. 3

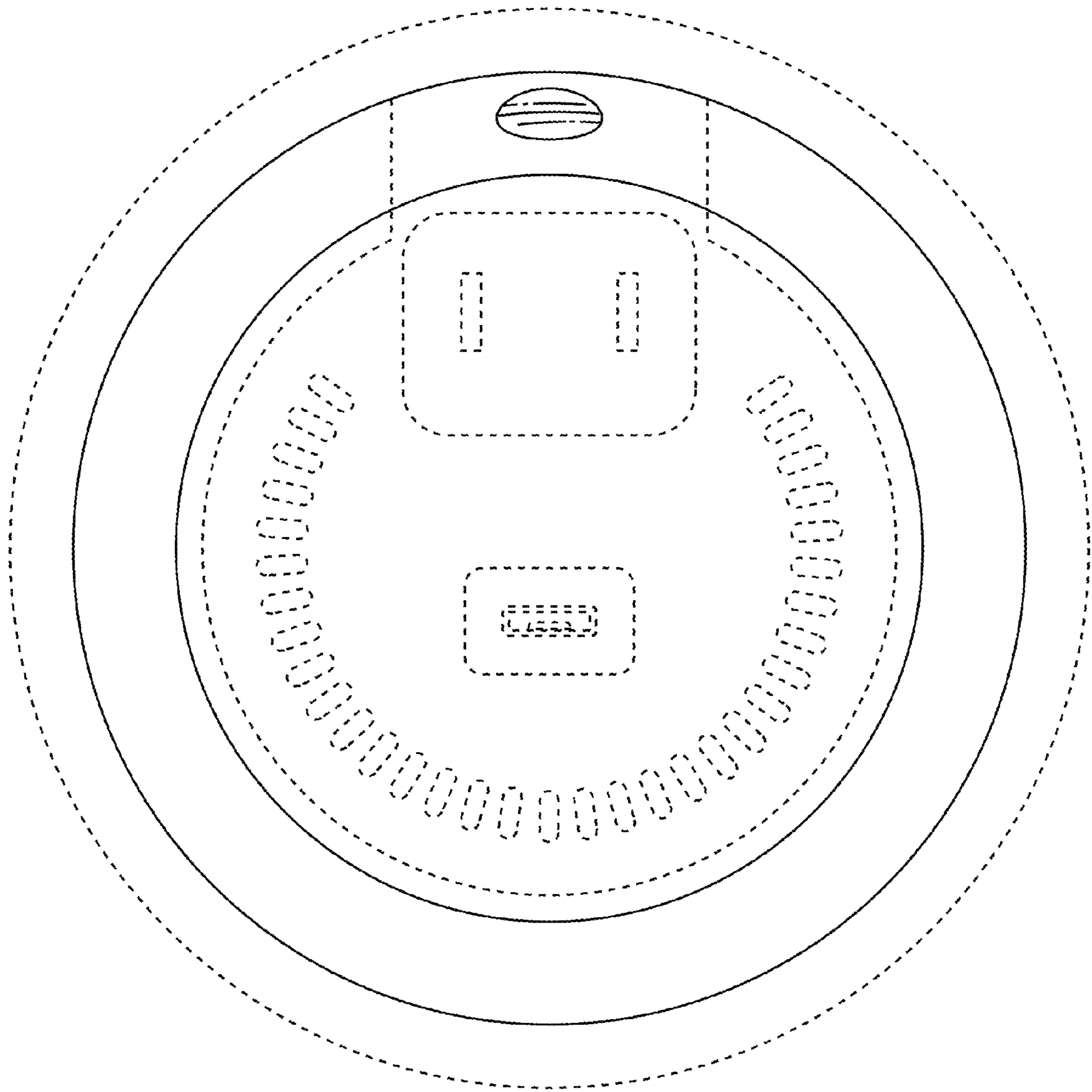


FIG. 4

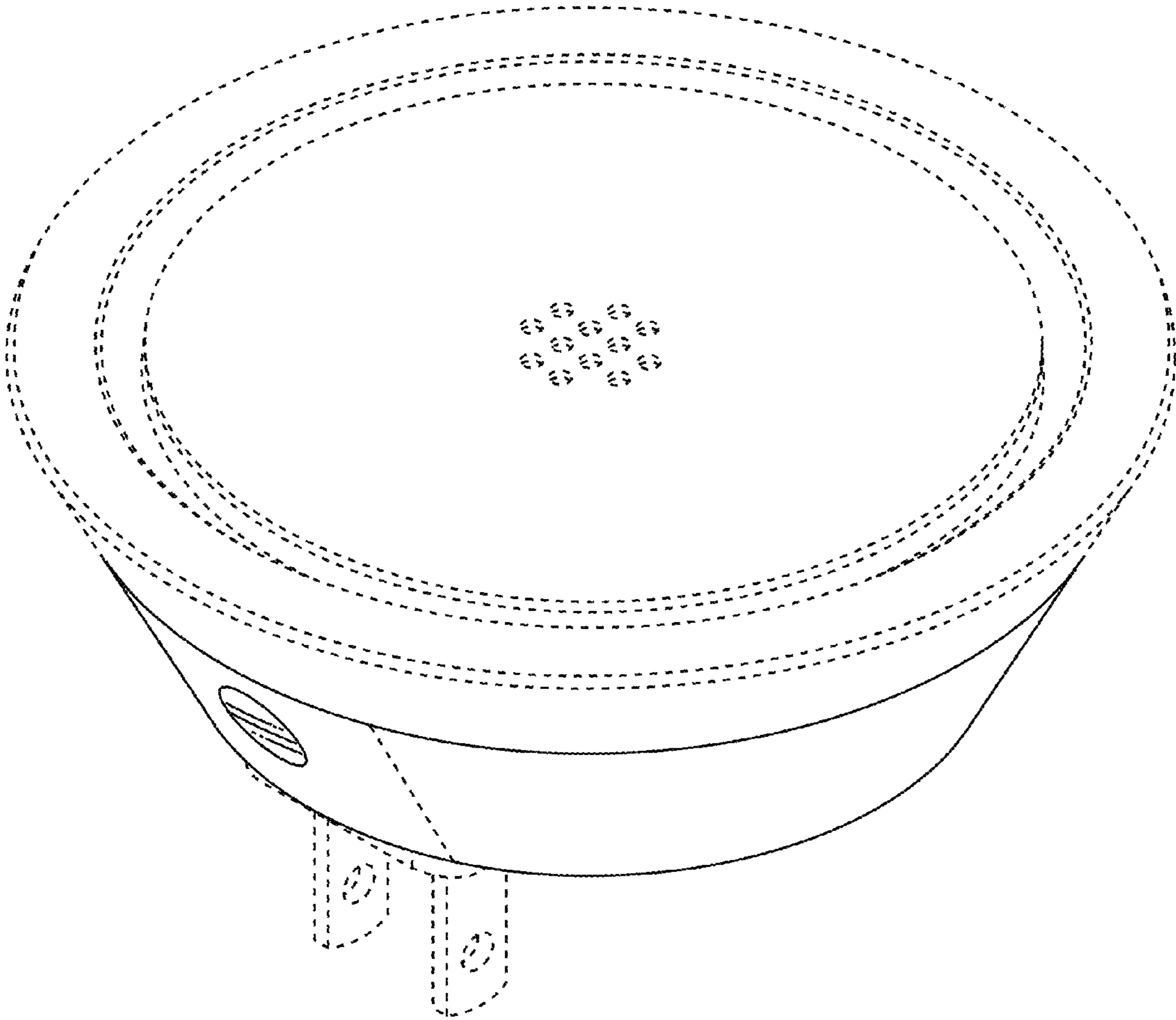


FIG. 5

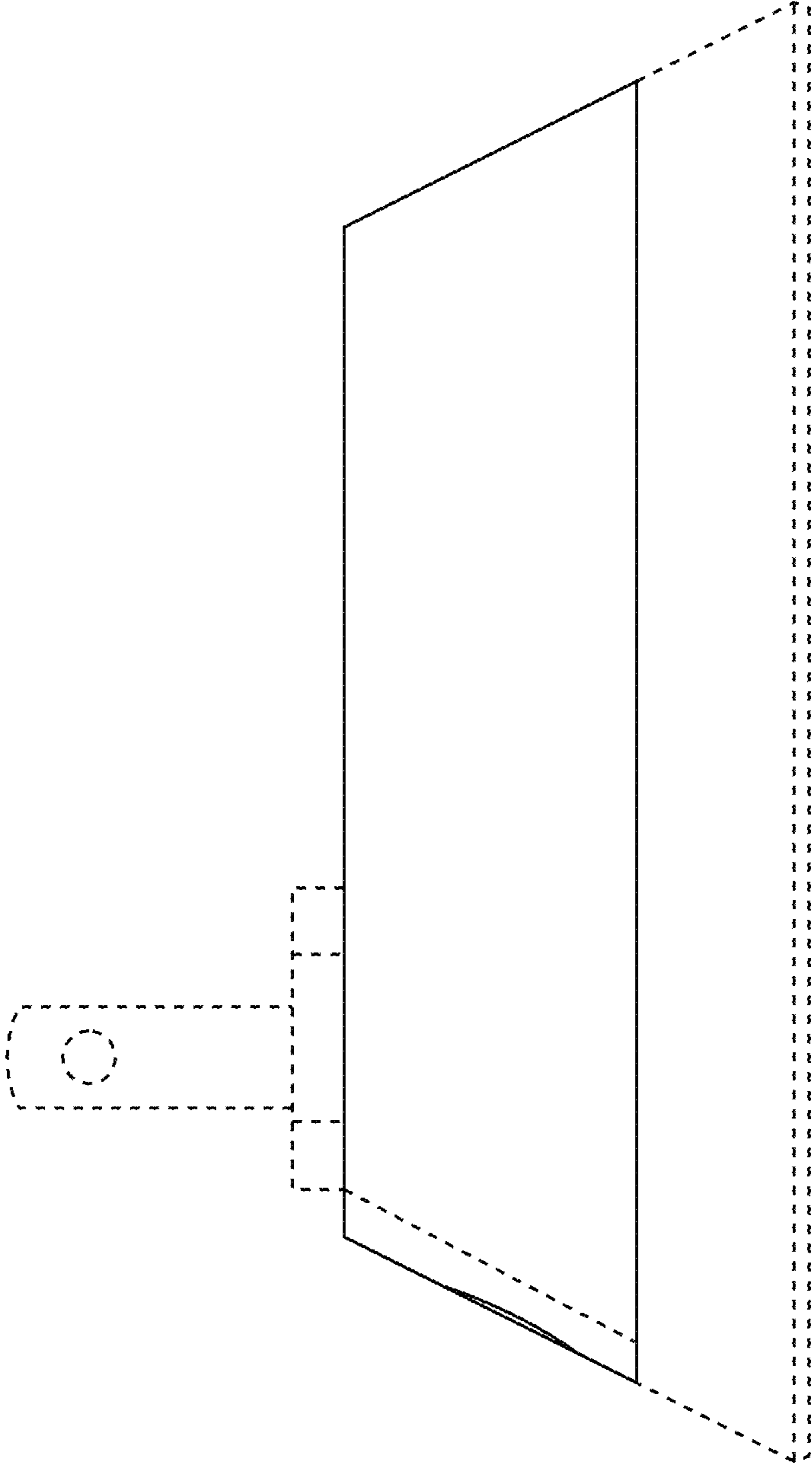


FIG. 6

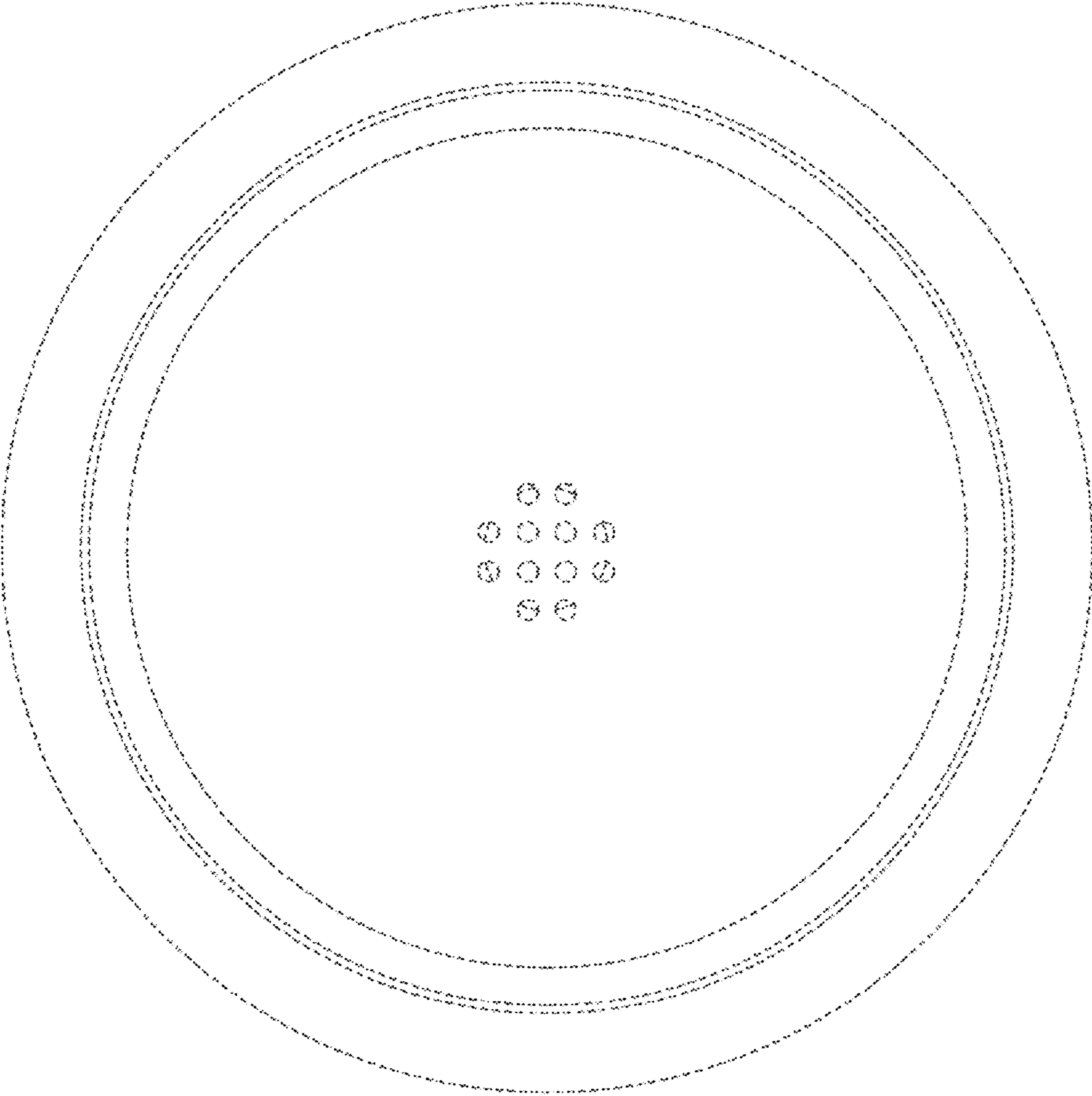


FIG. 7

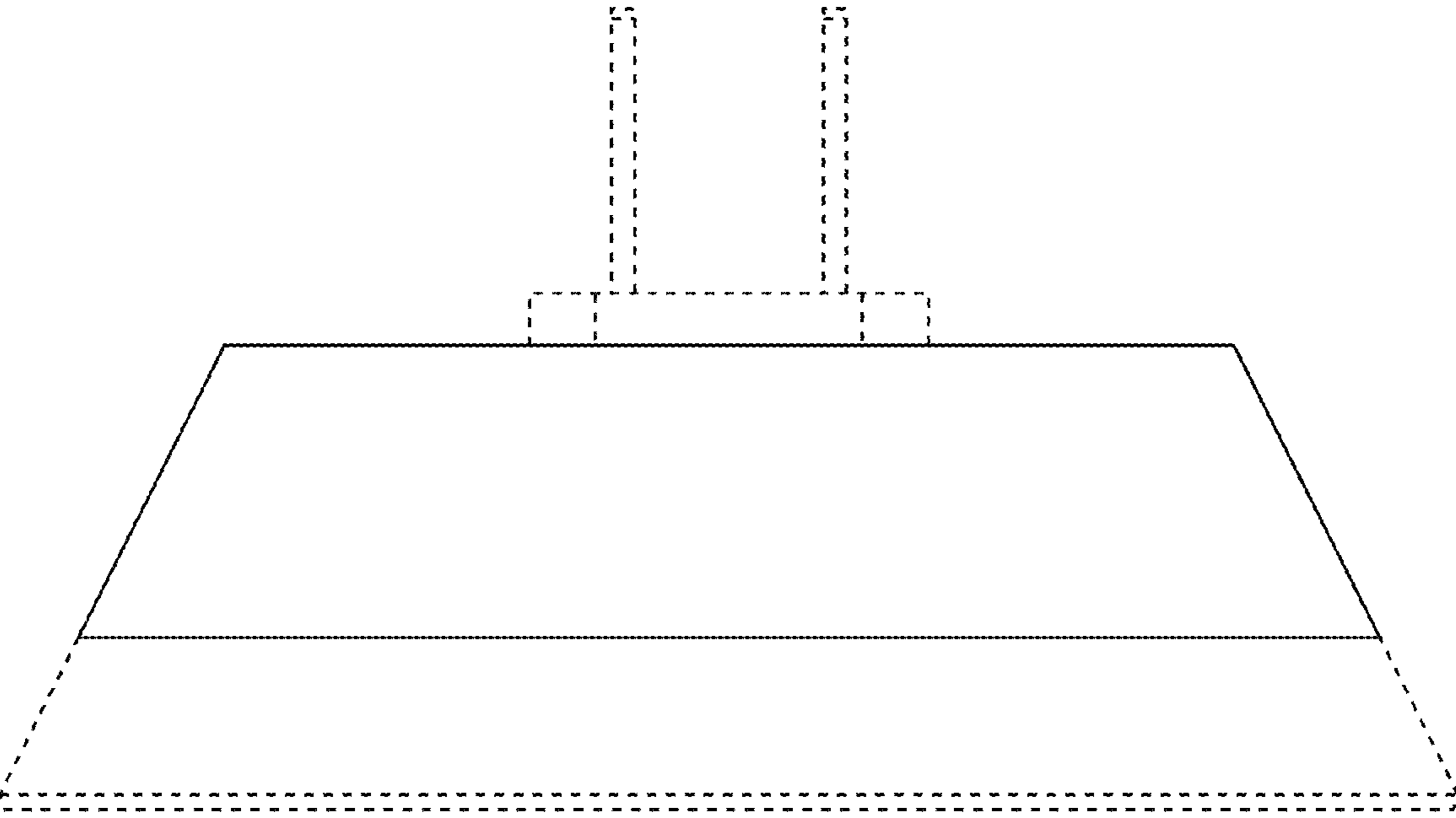


FIG. 8

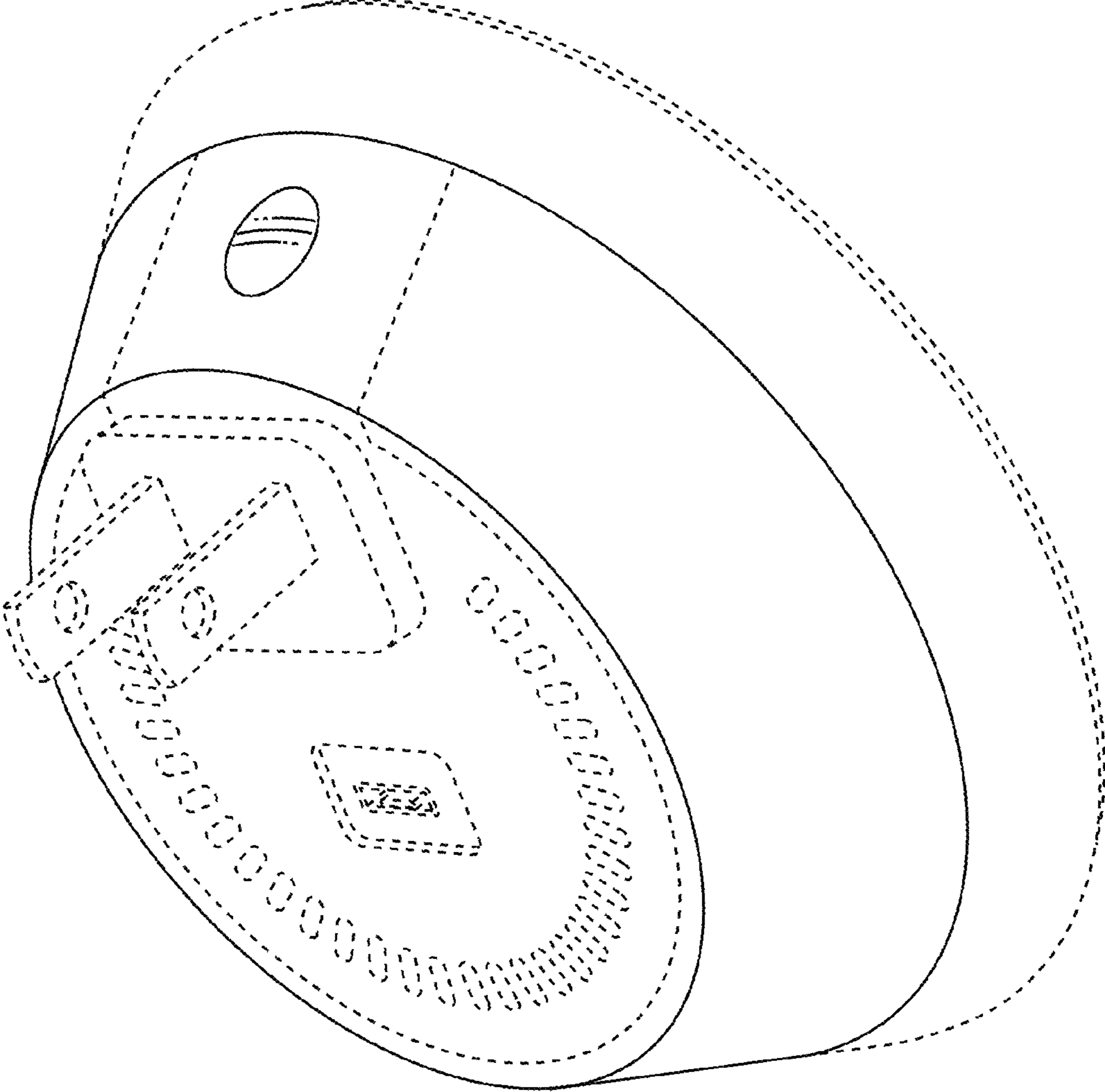


FIG. 9

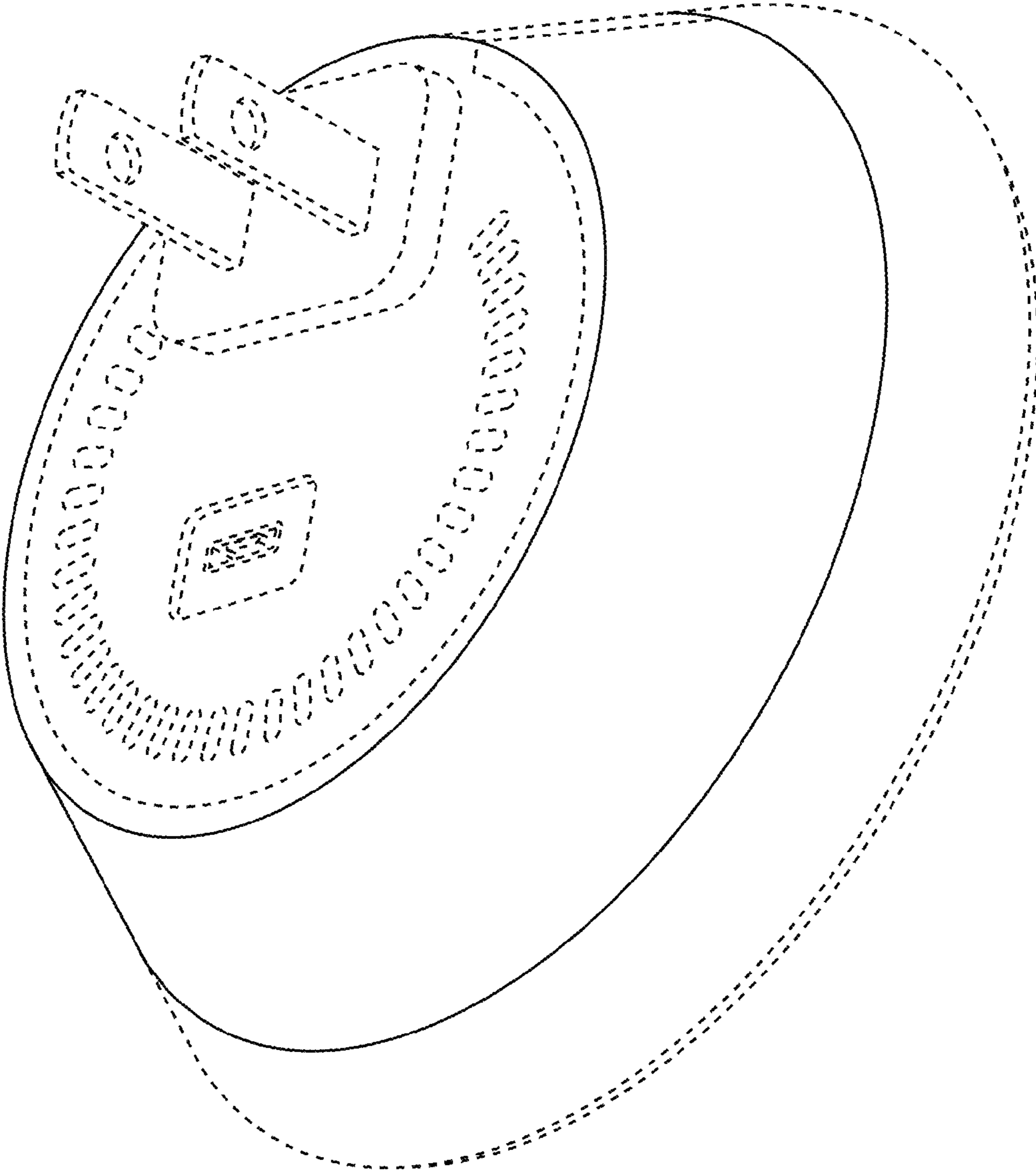


FIG. 10

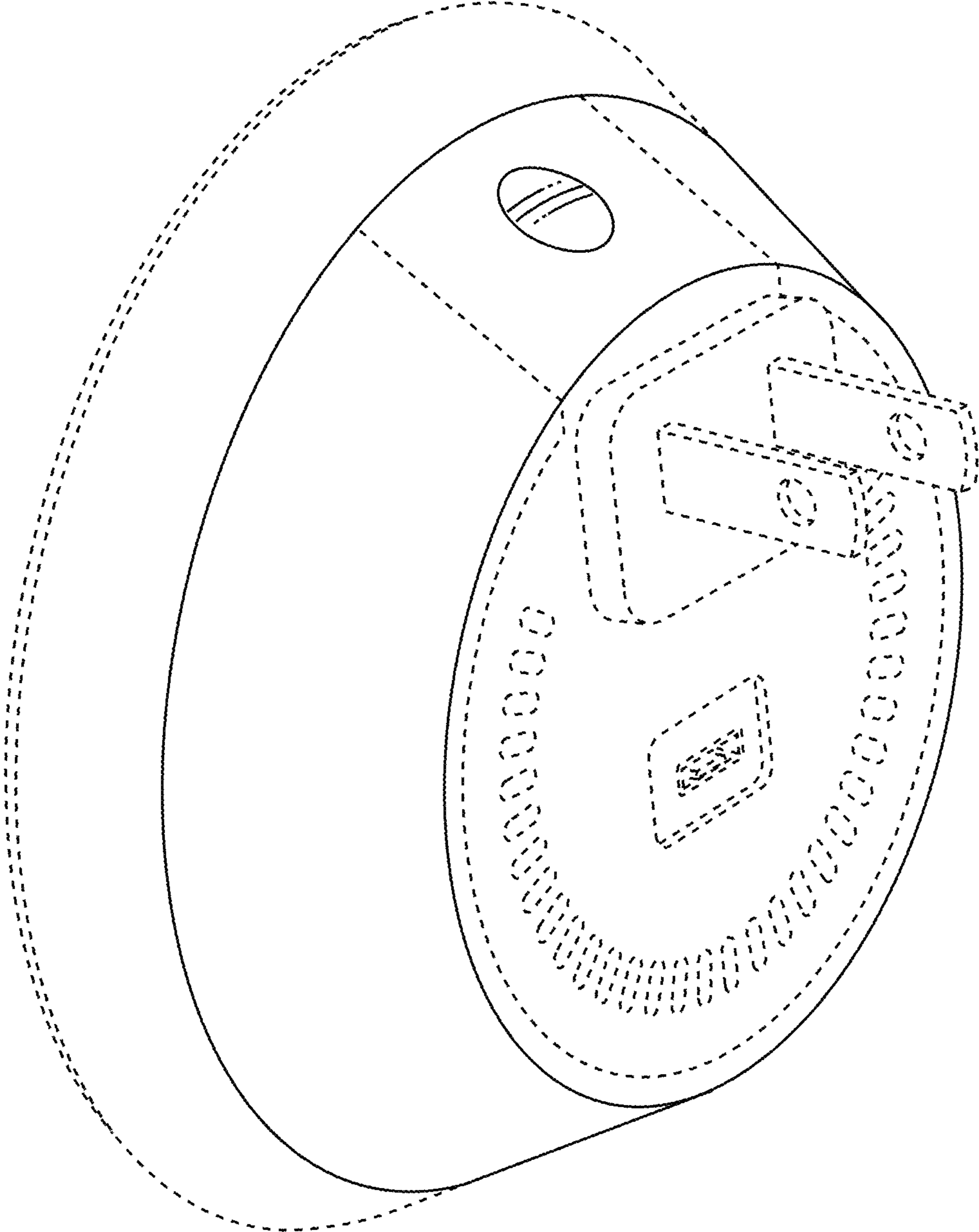


FIG. 11