



US00D741727S

(12) **United States Design Patent**
Mille

(10) **Patent No.:** **US D741,727 S**
(45) **Date of Patent:** **** Oct. 27, 2015**

(54) **WATCHCASE**

(71) Applicant: **Turlen Holding SA**, Soyhières (CH)

(72) Inventor: **Richard Mille**, Moulins (FR)

(73) Assignee: **TURLEN HOLDING SA**, Soyhieres (CH)

(**) Term: **14 Years**

(21) Appl. No.: **29/493,844**

(22) Filed: **Jun. 13, 2014**

(30) **Foreign Application Priority Data**

Apr. 28, 2014 (WO) DM/083 455

(51) **LOC (10) Cl.** **10-02**

(52) **U.S. Cl.**
USPC **D10/31; D10/38**

(58) **Field of Classification Search**
USPC D10/30-39, 1-29, 122-132
CPC G04B 19/00; G04B 19/18; G04B 19/22;
G04B 19/28; G04B 19/283; G04B 37/00;
G04B 37/0008; G04B 37/0058; G04B 45/00;
G04B 45/003; G04B 45/0069; G04B 45/0076;
G04B 47/00; G04B 47/06; G04B 47/065;
G04B 49/00

See application file for complete search history.

(56) **References Cited**

U.S. PATENT DOCUMENTS

3,431,722 A * 3/1969 Haas 235/61 R
D336,440 S * 6/1993 Favre D10/32

5,253,225 A * 10/1993 Vaucher 368/20
5,631,878 A * 5/1997 Chen 368/21
6,947,351 B1 * 9/2005 Loth et al. 368/20
D540,195 S * 4/2007 Nussbaumer D10/31
D555,515 S * 11/2007 Krieger D10/31
D594,351 S * 6/2009 Tonohori D10/32
7,782,714 B2 * 8/2010 El Kadiri 368/14
D648,639 S * 11/2011 Mille D10/39
D656,416 S * 3/2012 Monachon D10/39
D693,245 S * 11/2013 Mille D10/39
D707,138 S * 6/2014 Kamata D10/39
D708,077 S * 7/2014 Mille D10/39

* cited by examiner

Primary Examiner — Martie K Holtje

(74) *Attorney, Agent, or Firm* — Donald J. Ranft; Kristen A. Mogavero; Collen IP

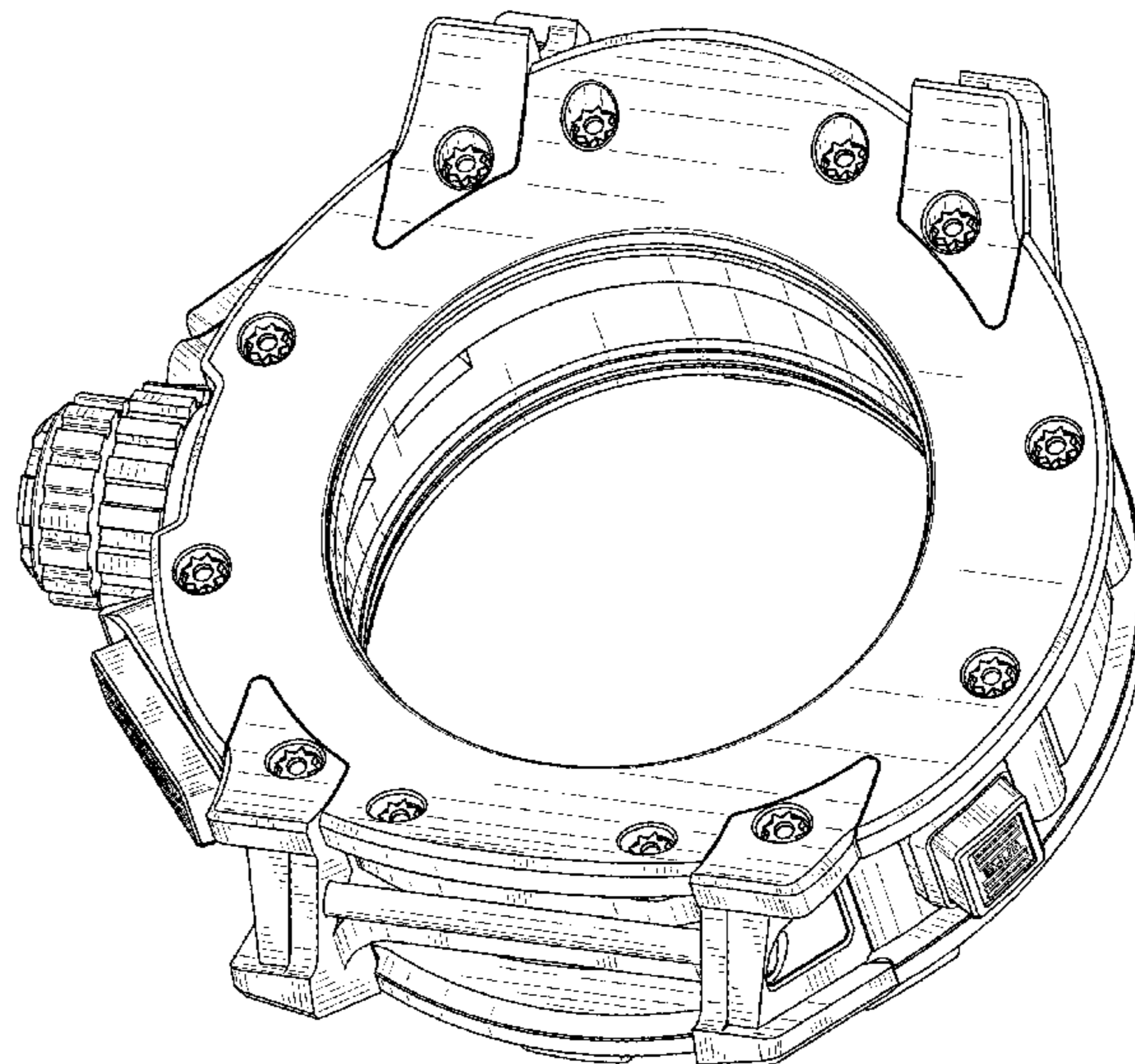
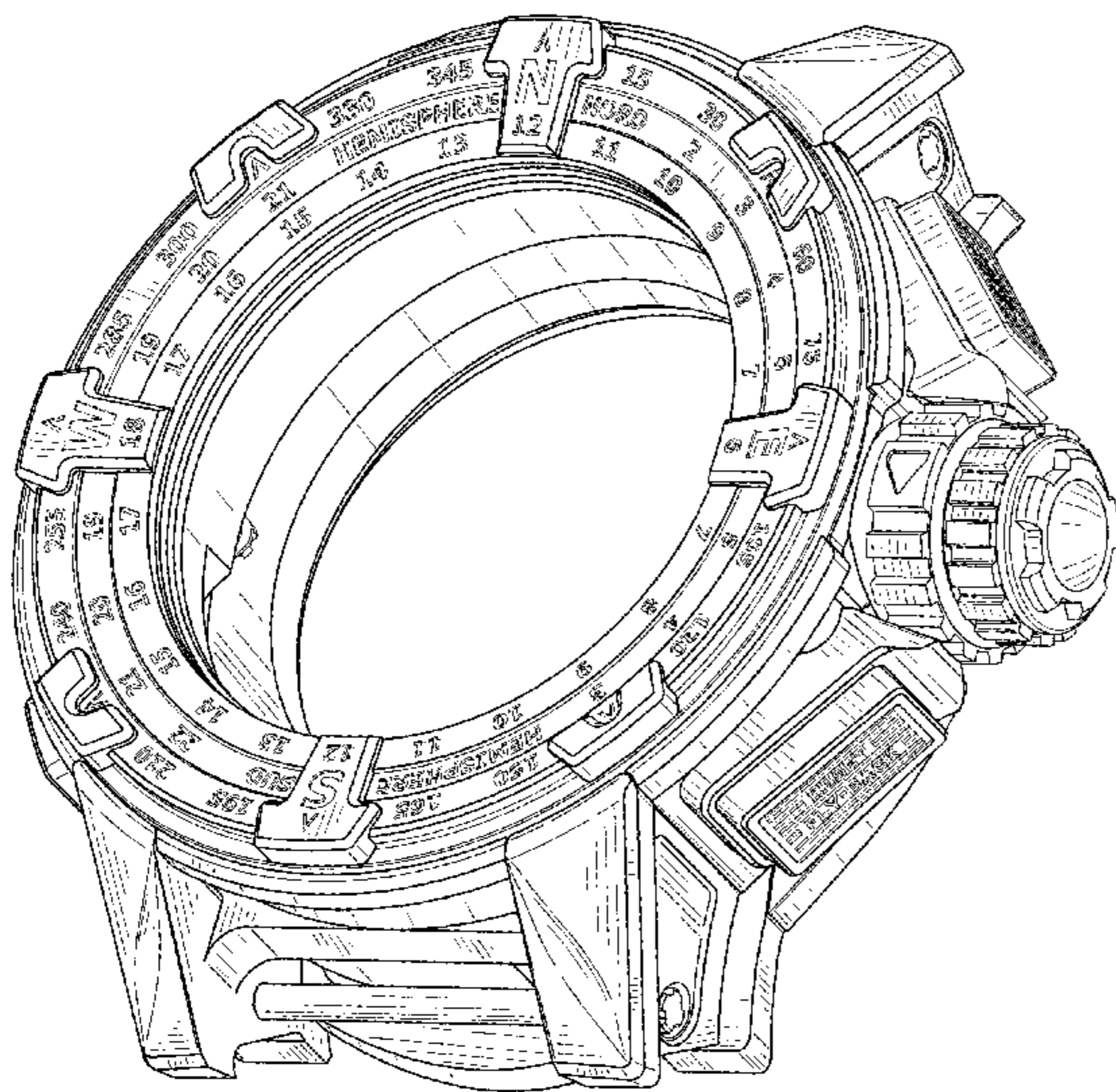
(57) **CLAIM**

The ornamental design for a watchcase, as shown.

DESCRIPTION

FIG. 1 is a front right perspective view of a watchcase showing my new design;
FIG. 2 is a rear right perspective view thereof;
FIG. 3 is a front left perspective view thereof;
FIG. 4 is a rear left perspective view thereof;
FIG. 5 is a front view thereof;
FIG. 6 is a rear view thereof;
FIG. 7 is a left side view thereof;
FIG. 8 is a right side view thereof;
FIG. 9 is a top view thereof; and,
FIG. 10 is a bottom view thereof.

1 Claim, 8 Drawing Sheets



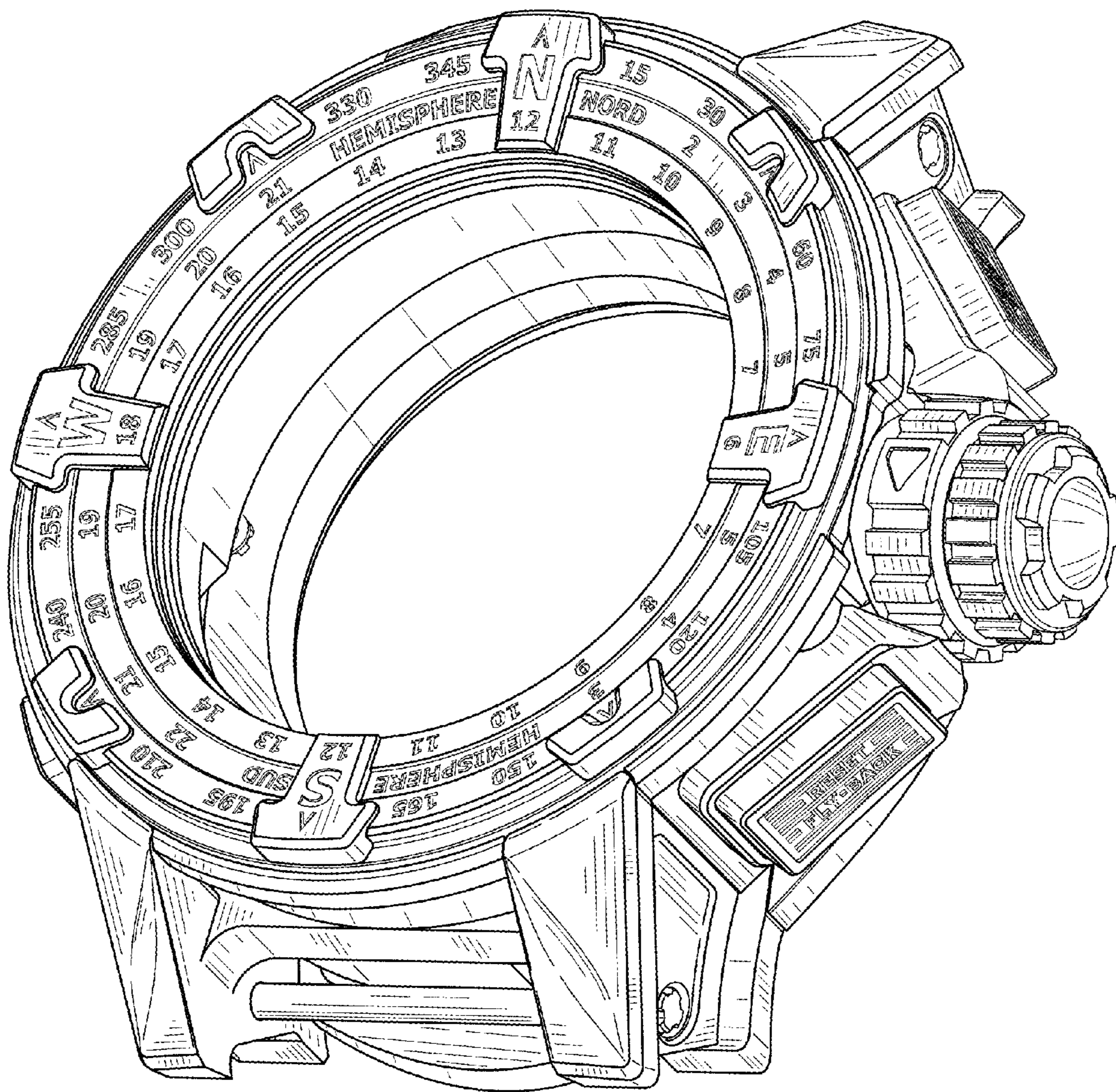


FIG. 1

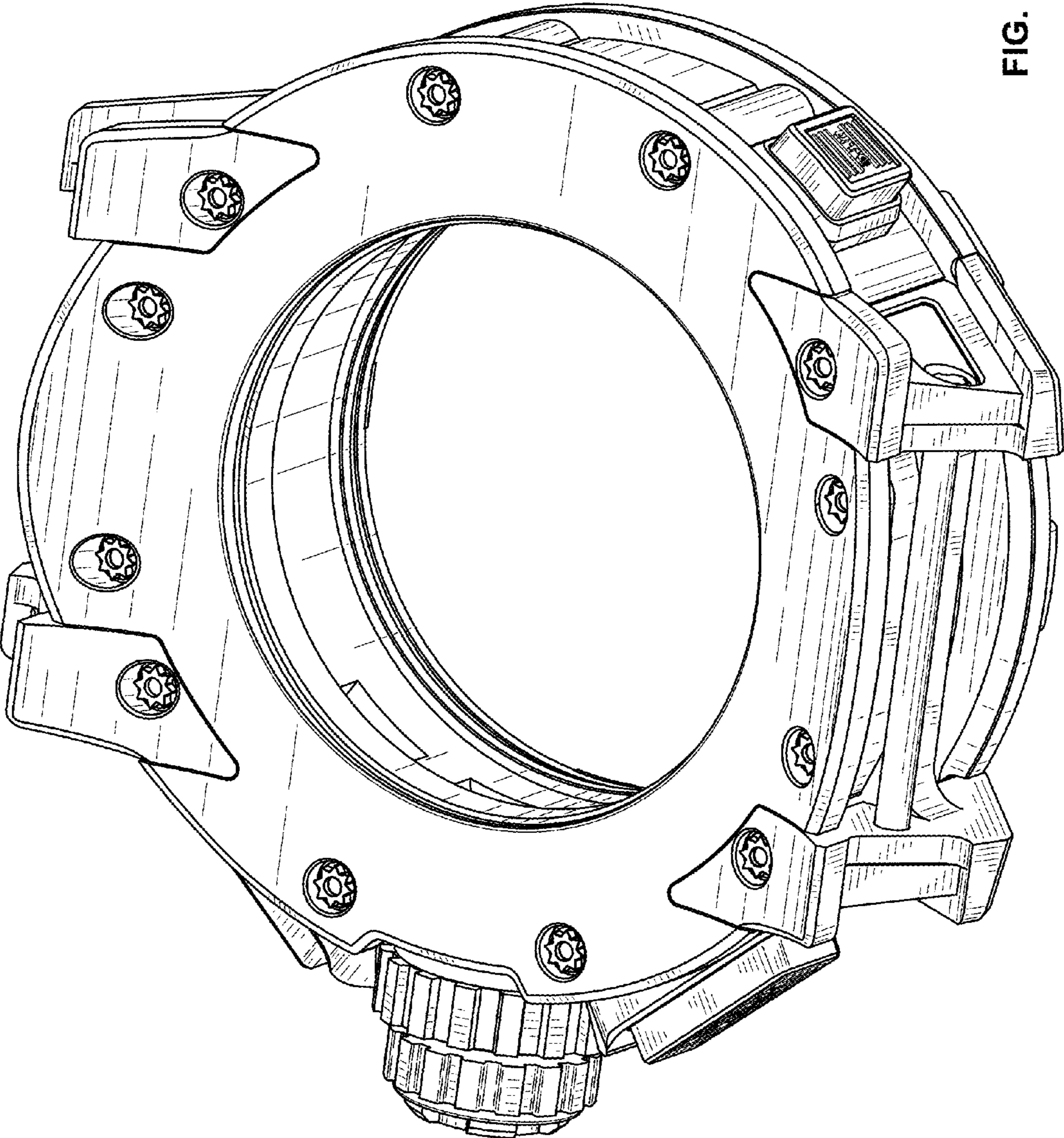


FIG. 2

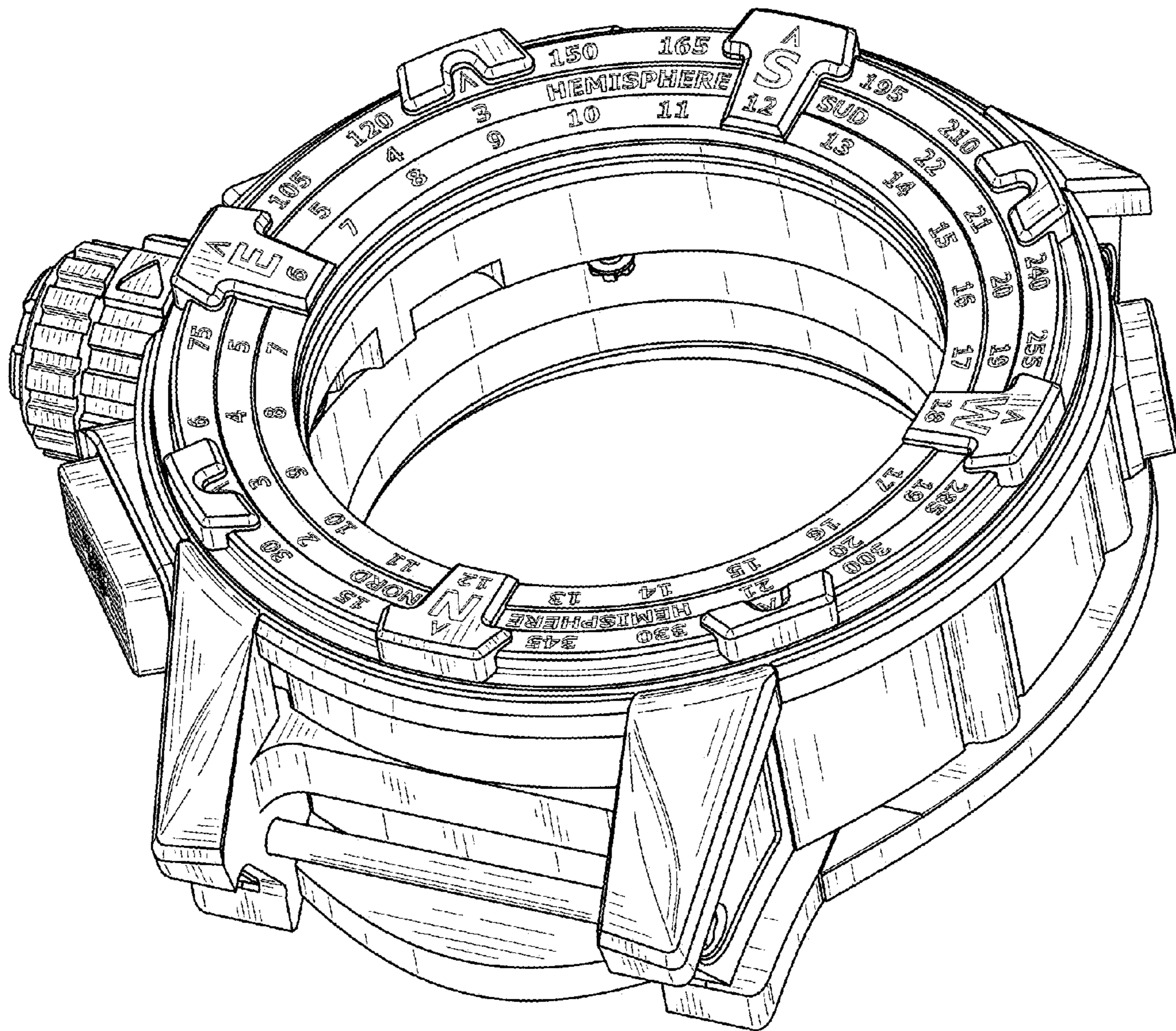


FIG. 3

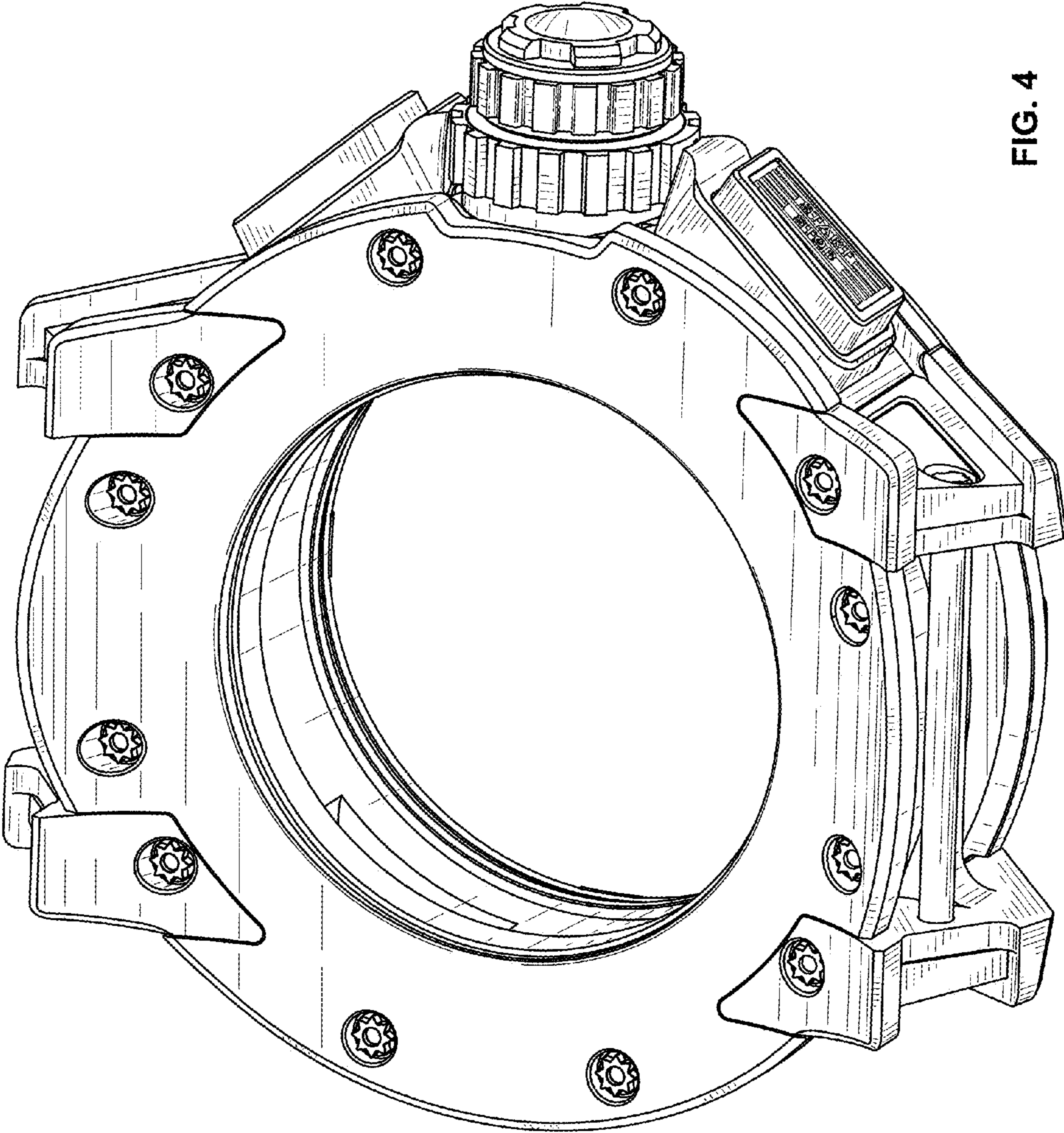


FIG. 4

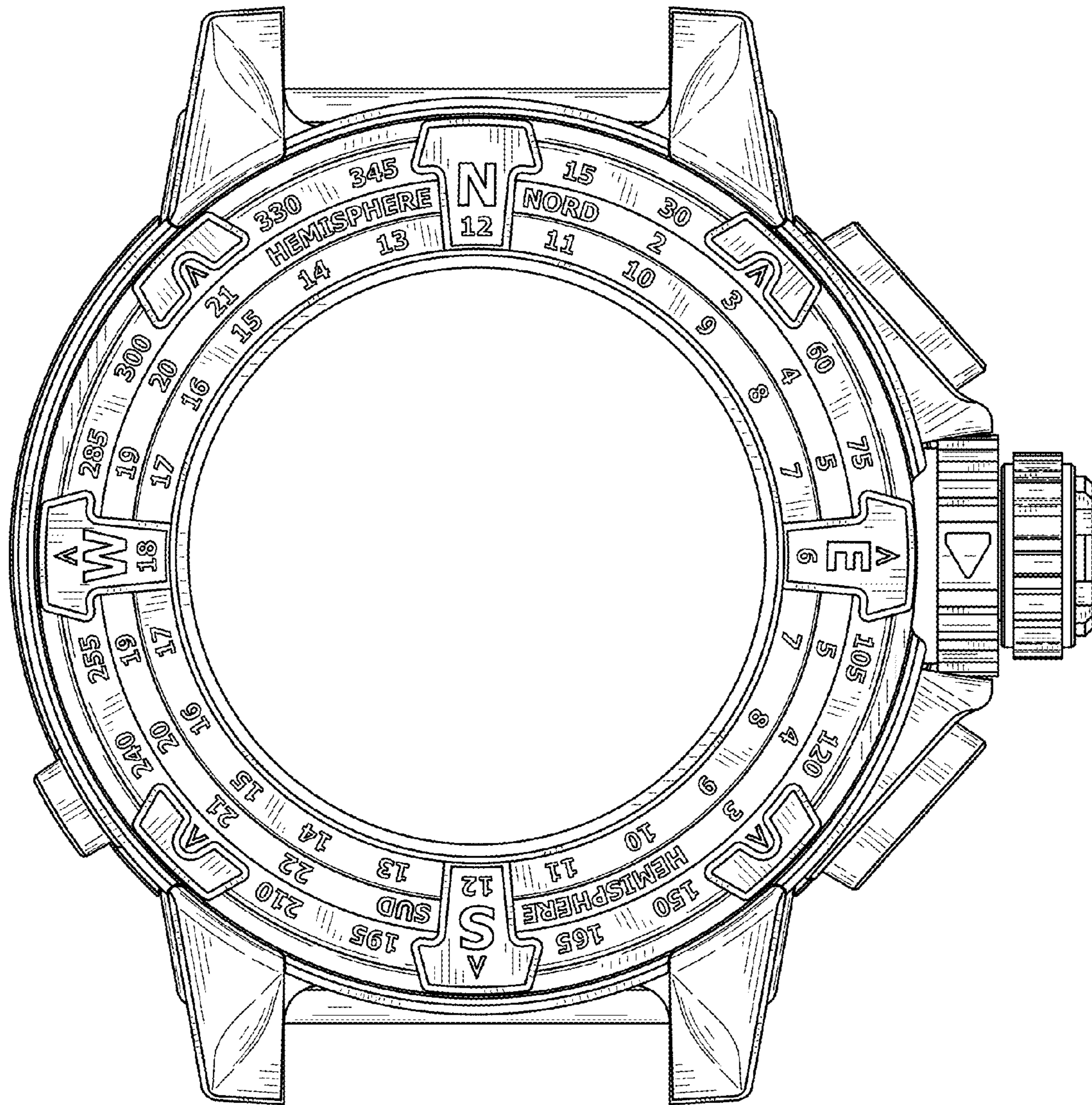


FIG. 5

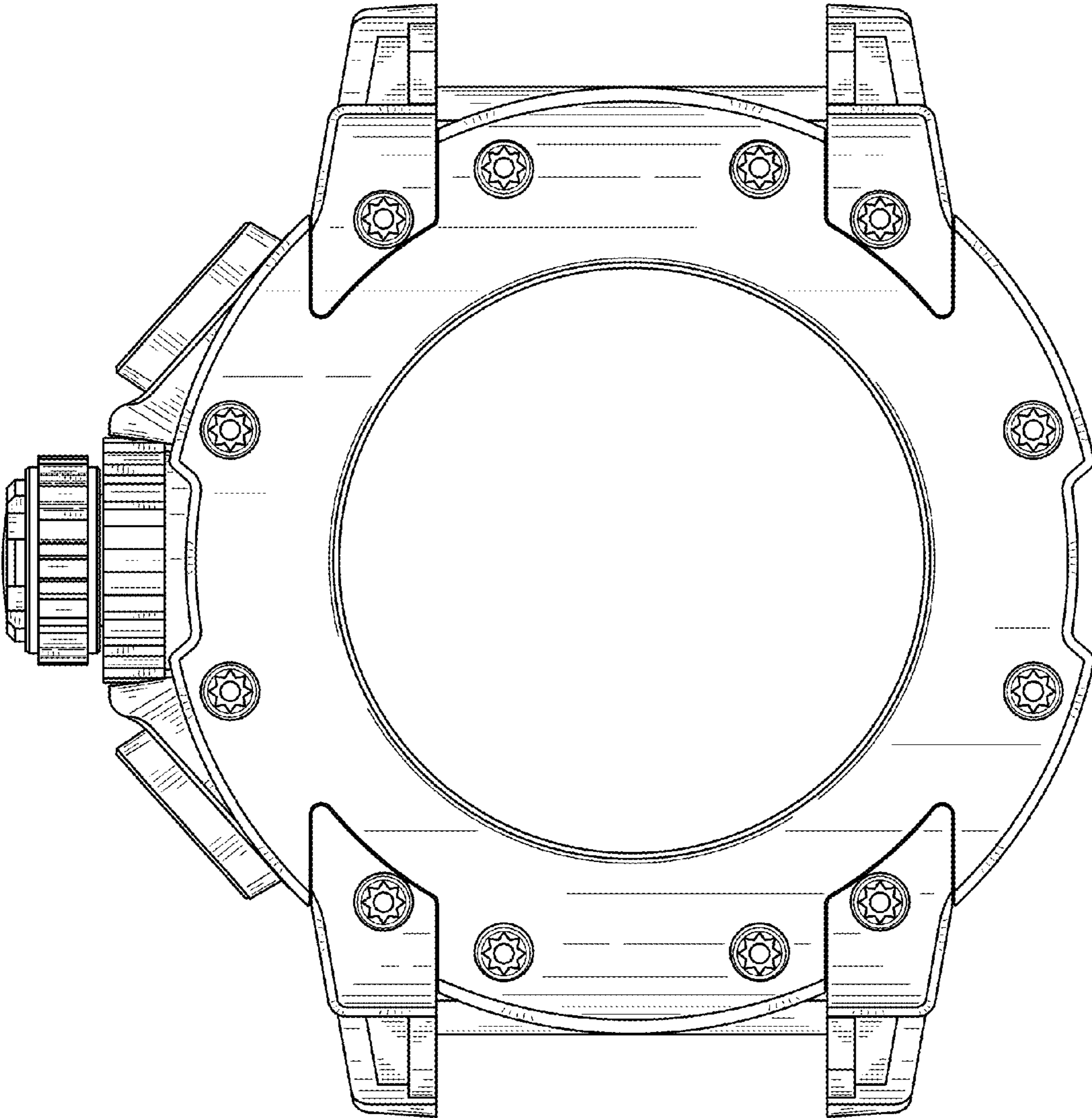


FIG. 6

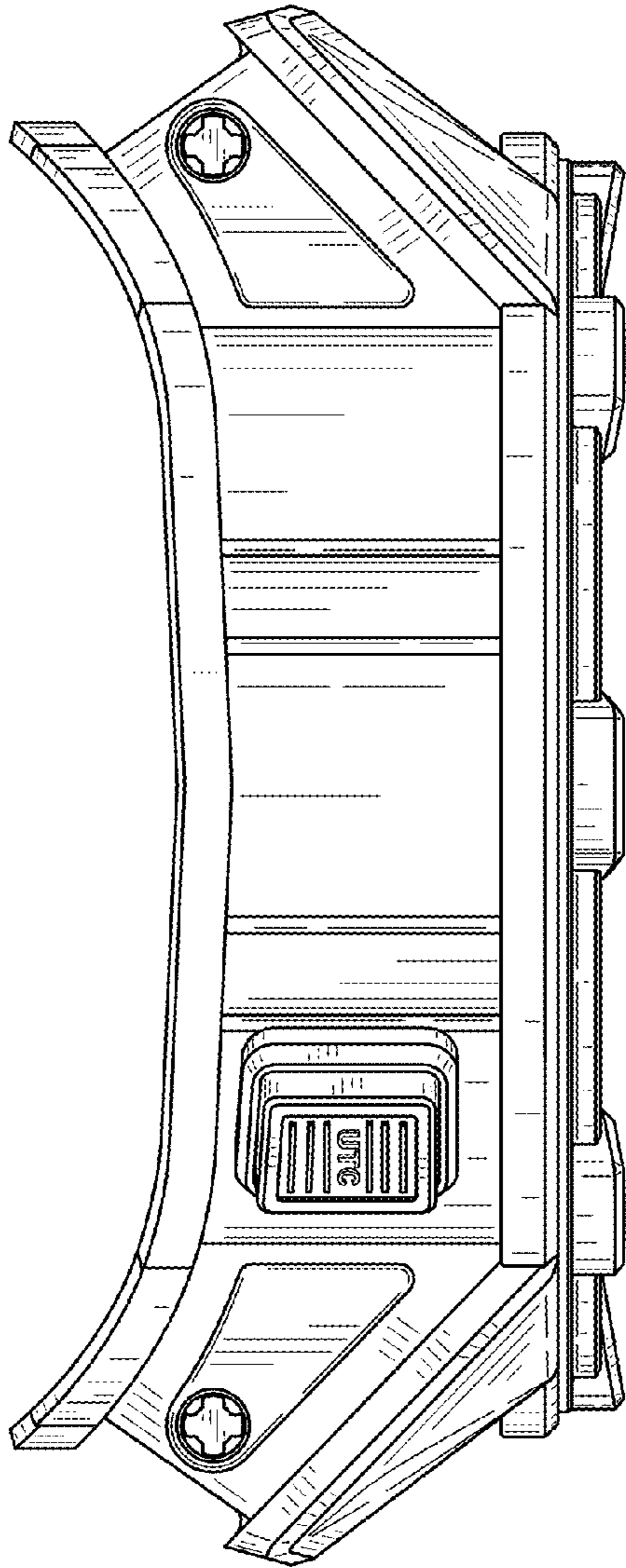


FIG. 7

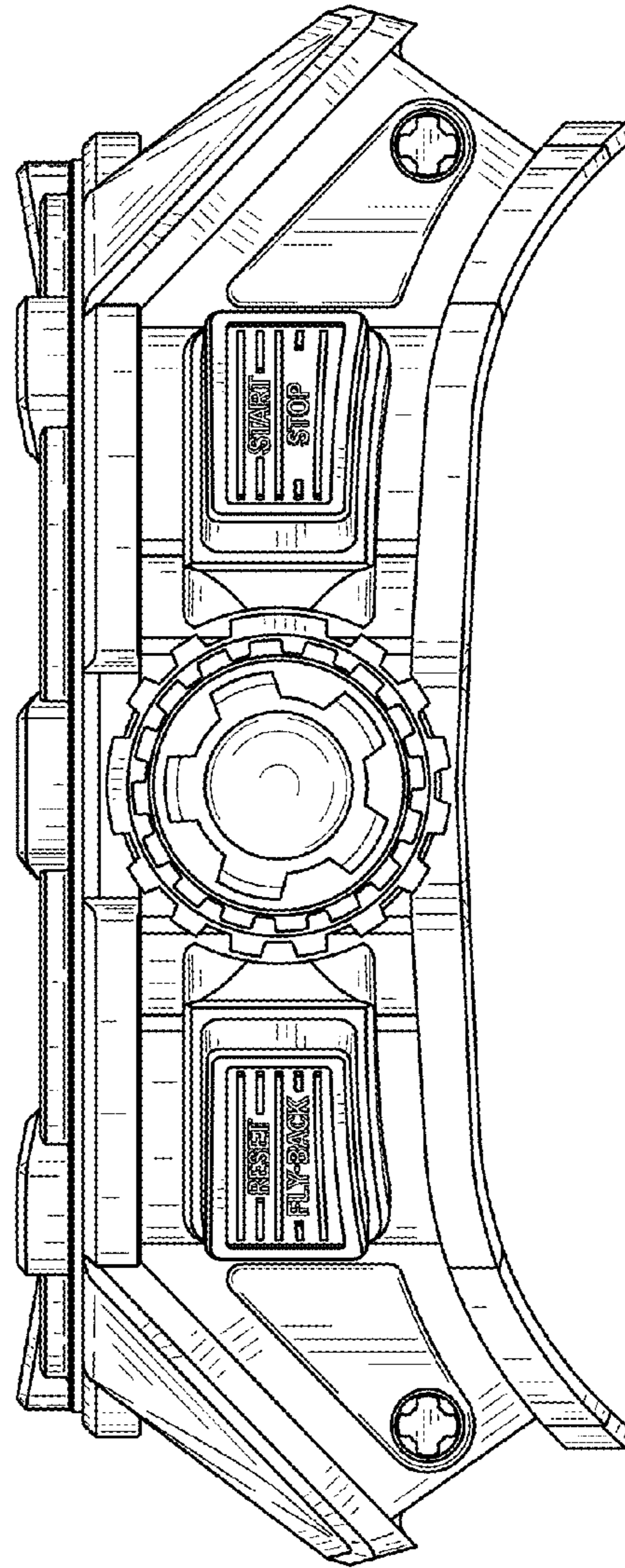


FIG. 8

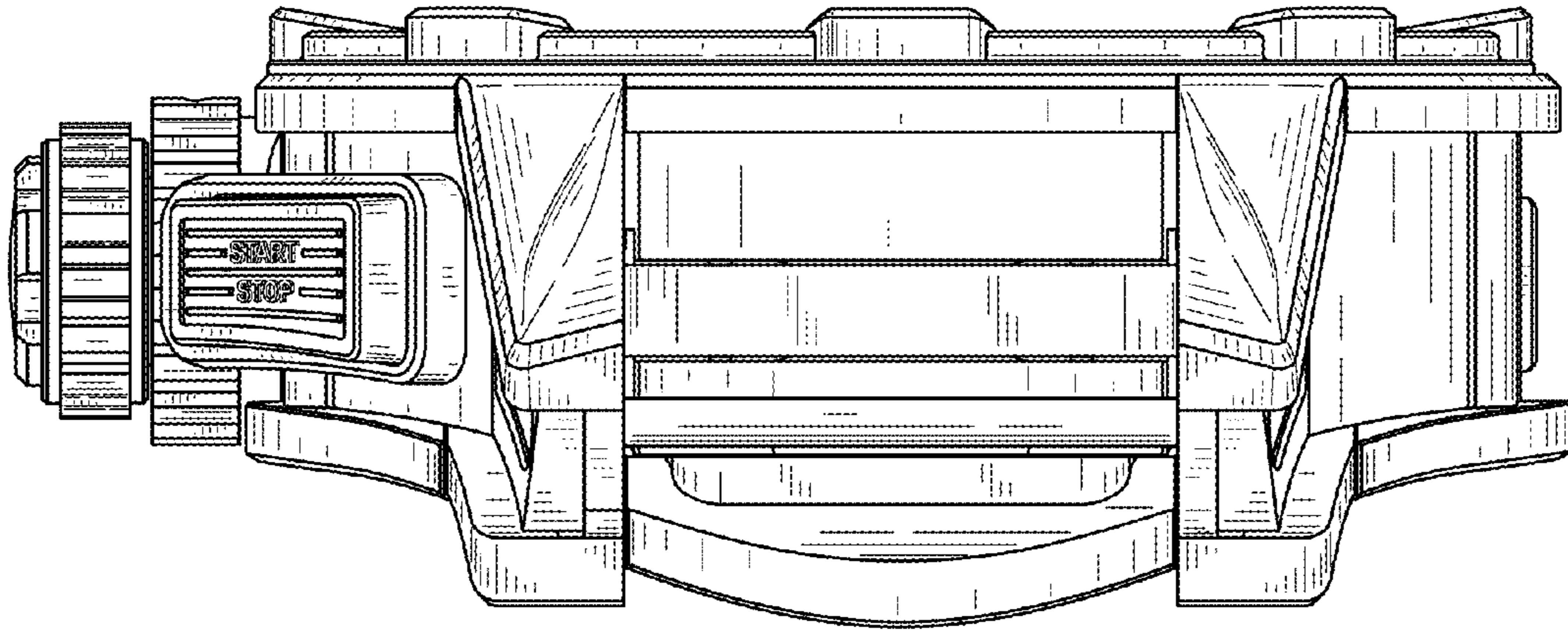


FIG. 9

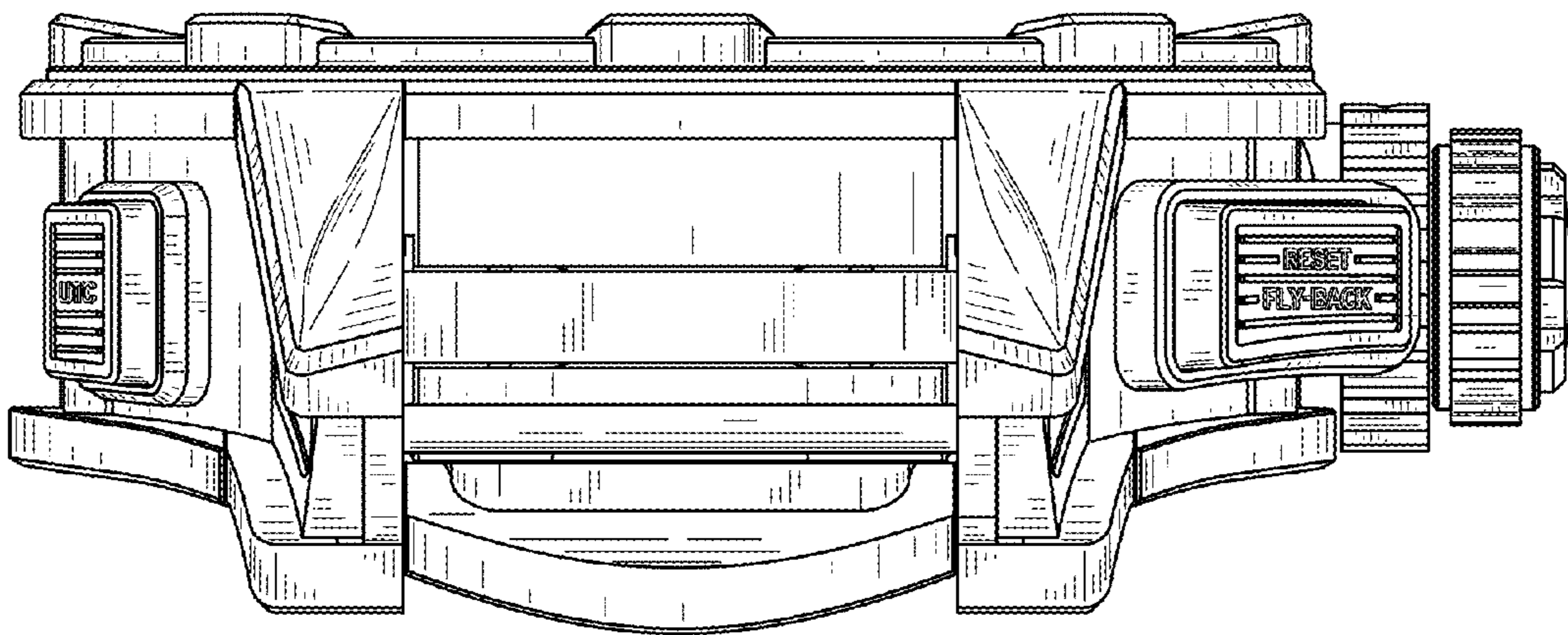


FIG. 10