



US00D741721S

(12) **United States Design Patent**
Monteparo et al.

(10) **Patent No.:** **US D741,721 S**
(45) **Date of Patent:** **** Oct. 27, 2015**

- (54) **ATOMIZER BOTTLE**
- (71) Applicant: **Victoria's Secret Stores Brand Management, Inc.**, Reynoldsburg, OH (US)
- (72) Inventors: **Sandra Monteparo**, Brooklyn, NY (US); **Natalia Del Rivero**, New York, NY (US)
- (73) Assignee: **Victoria's Secret Stores Brand Management, Inc.**, Reynoldsburg, OH (US)
- (**) Term: **14 Years**
- (21) Appl. No.: **29/496,491**
- (22) Filed: **Jul. 14, 2014**
- (51) **LOC (10) Cl.** **09-01**
- (52) **U.S. Cl.**
USPC **D9/566**
- (58) **Field of Classification Search**
USPC D3/202, 203.2, 901; D4/116; D7/313, D7/509-511, 590-612, 619.1; D9/430, D9/449, 450, 453, 454, 502, 504, 516, 519, D9/520, 522, 523, 526, 529, 530, 544, 550, D9/558, 559, 560, 563, 567, 569, 571, 574, D9/682, 686, 689, 719, 774; D19/93; D23/211.1-211.2, 366; D24/121, 124, D24/197, 224; D28/4, 7, 20, 66, 76, 82, 83, D28/85, 88, 89, 91.1; D32/29.1; D34/1, 2, D34/11, 39; 215/62.22, 220, 283-285, 329, 215/396, 398; 220/674, 710, 837; 222/182, 222/209, 252
CPC A45D 33/003; A45D 33/22; A45D 34/00; A45D 40/30; A61J 1/03; A61J 1/05; A47G 19/22; A47G 19/2205; A47G 19/2266; B65D 1/02; B65D 1/0223; B65D 1/08; B65D 1/10

See application file for complete search history.

- (56) **References Cited**
U.S. PATENT DOCUMENTS
D158,380 S * 5/1950 Hefter-Louiche D9/544
D211,079 S * 5/1968 Du Pree D7/300
(Continued)

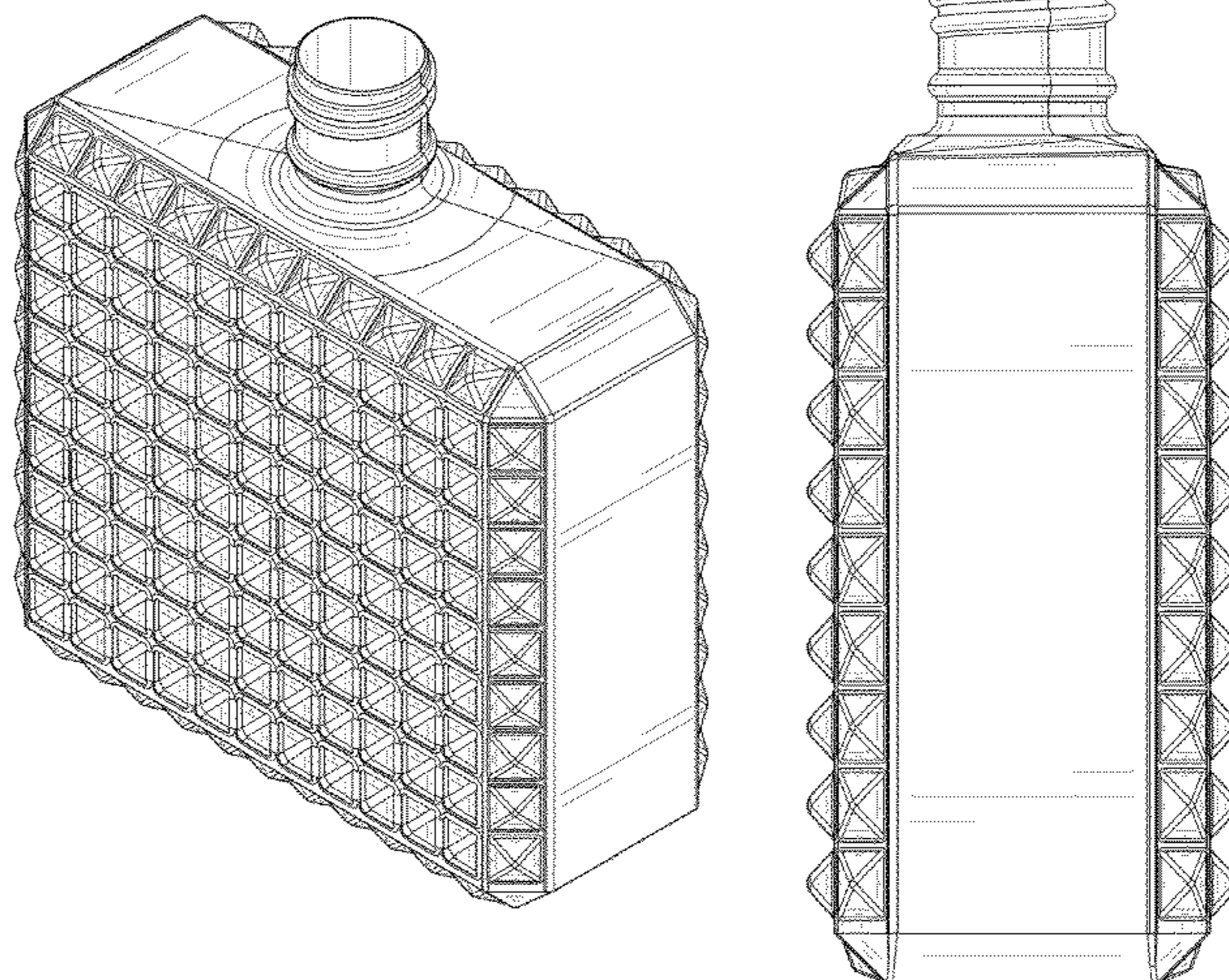
- FOREIGN PATENT DOCUMENTS
CA 150771 * 4/2014
OTHER PUBLICATIONS
Victoria's Secret Scandalous Perfume: Announced Oct. 23, 2014 [online], site visited [Jul. 21, 2015]. Available from Internet URL:<http://www.makeupalley.com/product/showreview.asp/ItemId=175169/Scandalous/Victoria-s-Secret/Fragrances.*

Primary Examiner — Thomas Johannes
Assistant Examiner — Catherine Posthauer
(74) *Attorney, Agent, or Firm* — Andrus Intellectual Property Law, LLP

(57) **CLAIM**
The ornamental design for an atomizer bottle, as shown and described.

DESCRIPTION
FIG. 1 is a front perspective view of a first embodiment of an atomizer bottle;
FIG. 2 is a front view thereof;
FIG. 3 is a back view of the atomizer bottle of FIG. 1;
FIG. 4 is a right side view thereof;
FIG. 5 is a left side view thereof;
FIG. 6 is a top view thereof;
FIG. 7 is a bottom view thereof; and,
FIG. 8 is a perspective view thereof, showing the atomizer bottle in a position of use with a nozzle and an atomizer bulb. The broken lines are shown for the purpose of illustrating unclaimed environment and unclaimed portions of the atomizer bottle and form no part of the claimed design.

1 Claim, 8 Drawing Sheets



(56)

References Cited

U.S. PATENT DOCUMENTS

4,804,083 A * 2/1989 Weeks 206/216
D474,693 S * 5/2003 Gruosi-Scheufele D9/544
D515,929 S * 2/2006 Steih et al. D9/522
D515,930 S * 2/2006 Steih et al. D9/522

D521,230 S * 5/2006 Linz et al. D3/202
D597,845 S * 8/2009 Brady D9/541
D606,415 S * 12/2009 Lavigne et al. D9/546
D660,178 S * 5/2012 Chen D9/694
D710,207 S * 8/2014 Pinabel D9/542
D714,654 S * 10/2014 Faillant Dumas D9/682
D730,317 S * 5/2015 Silvera D14/207

* cited by examiner

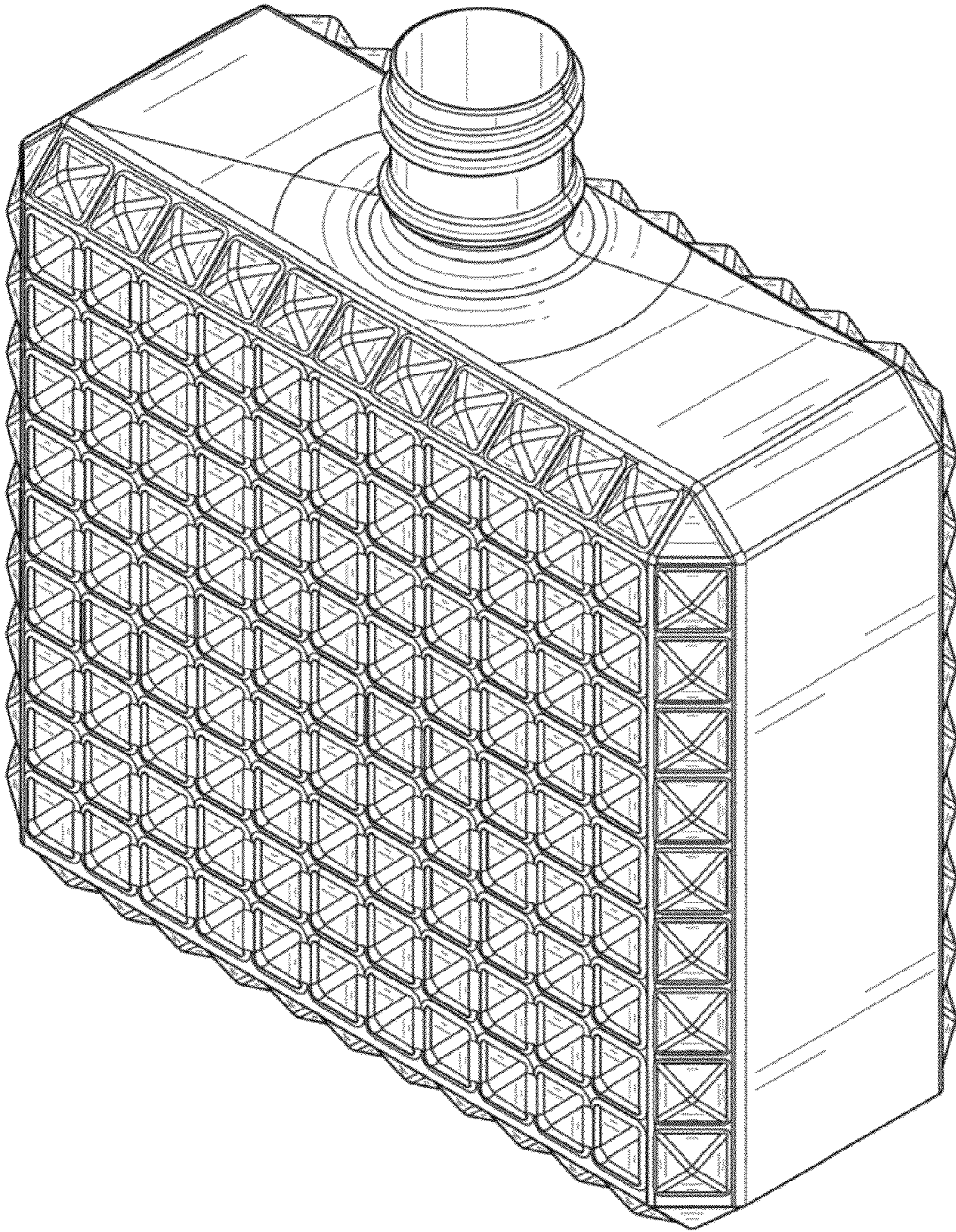


FIG. 1

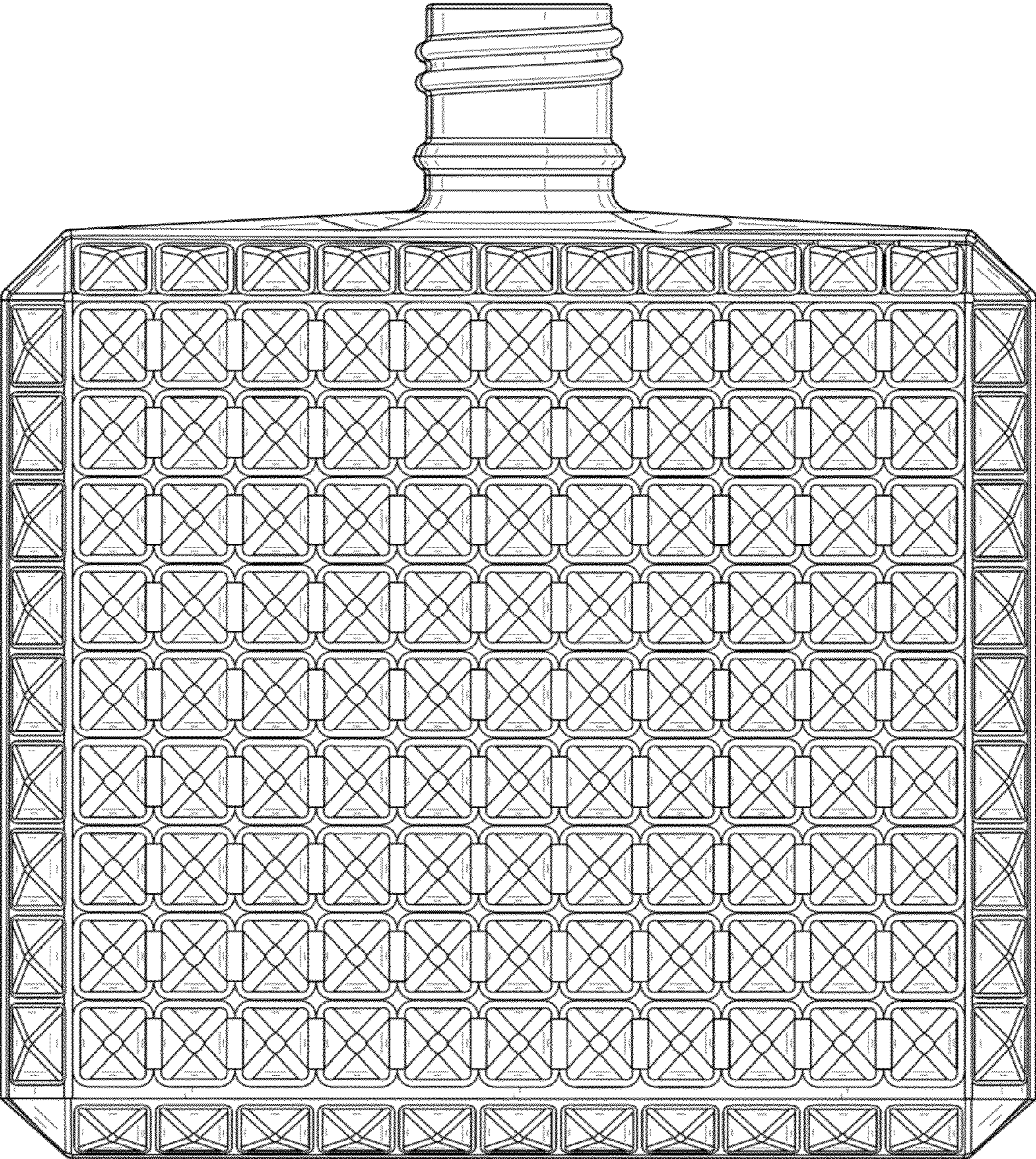


FIG. 2

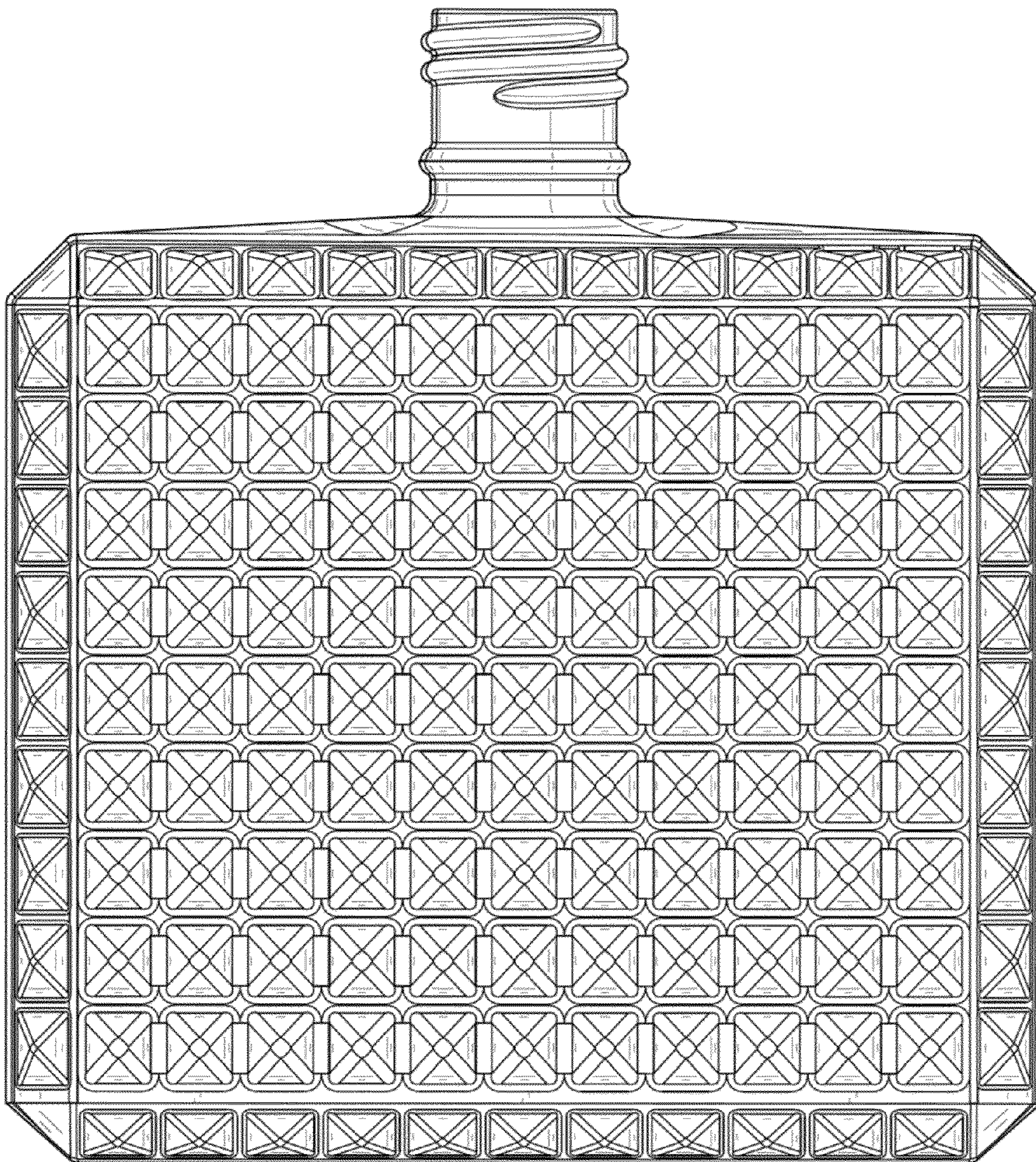


FIG. 3

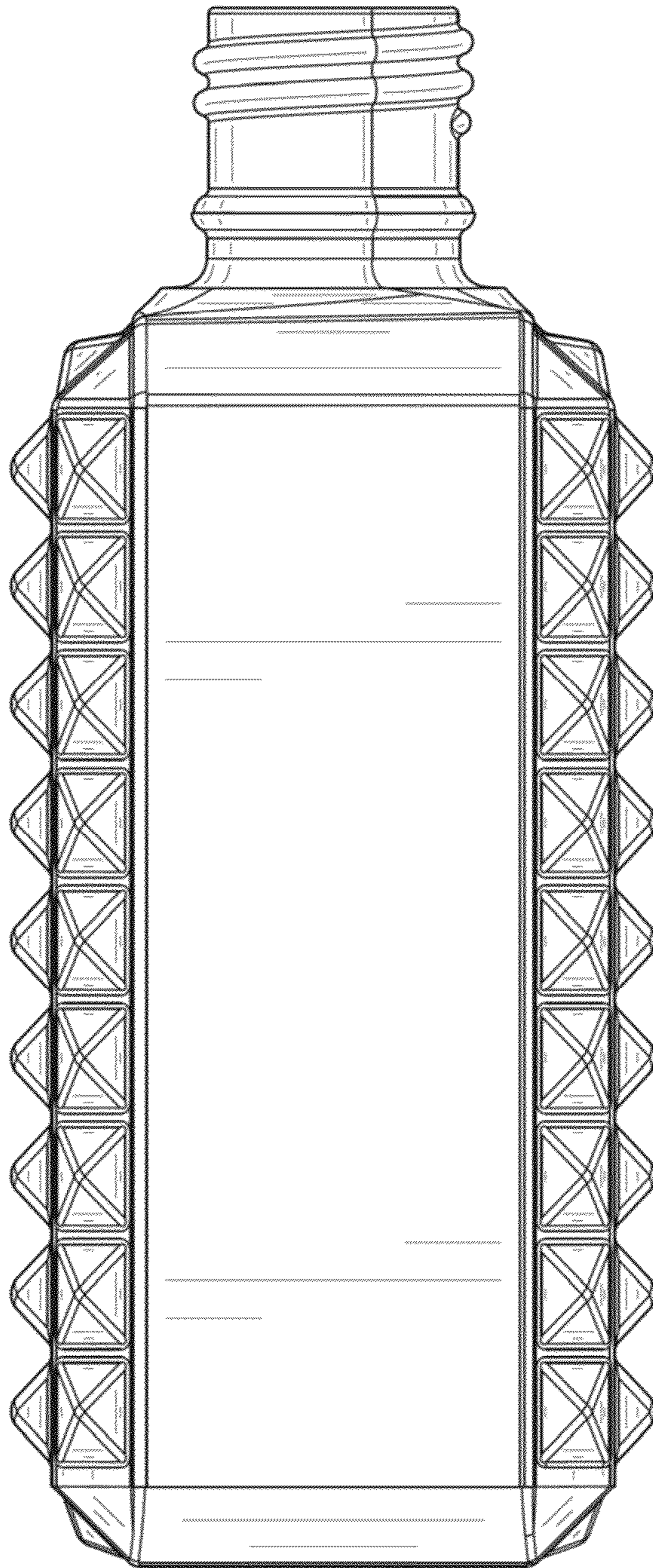


FIG. 4

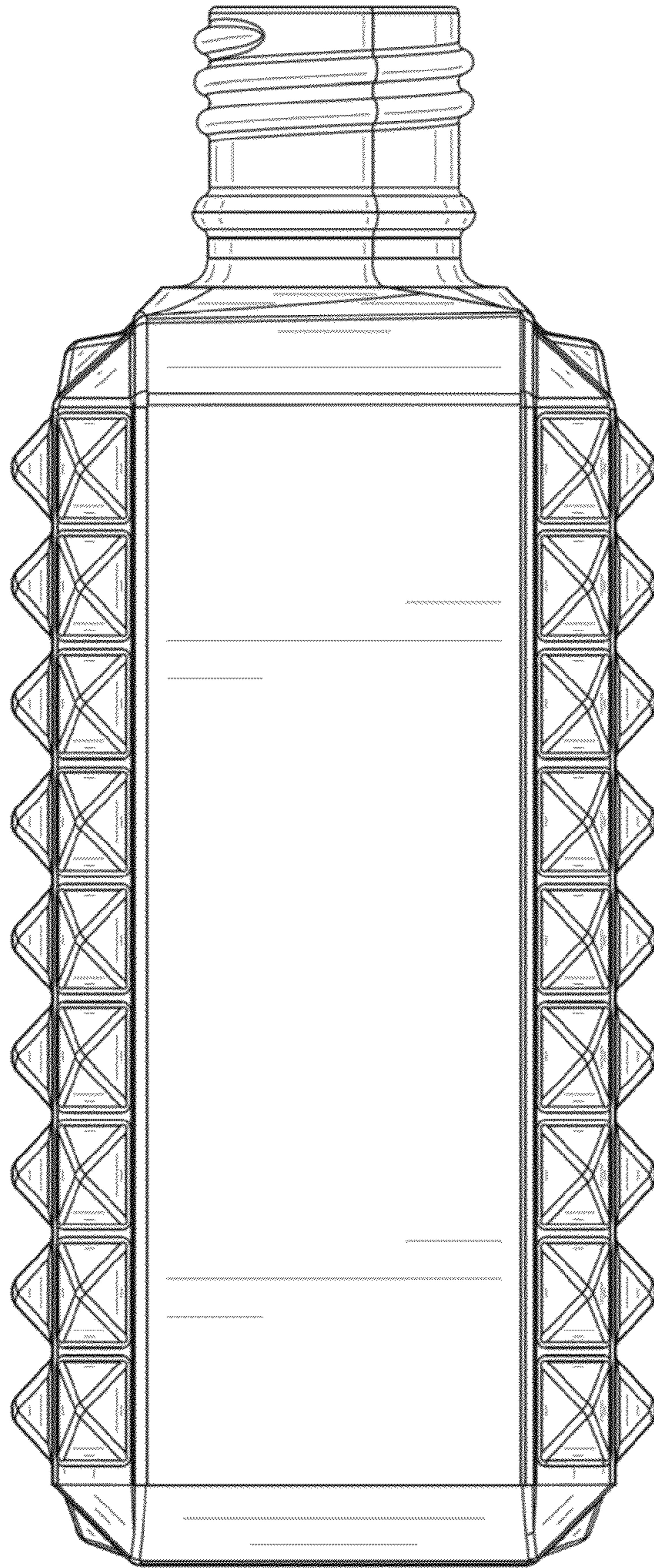


FIG. 5

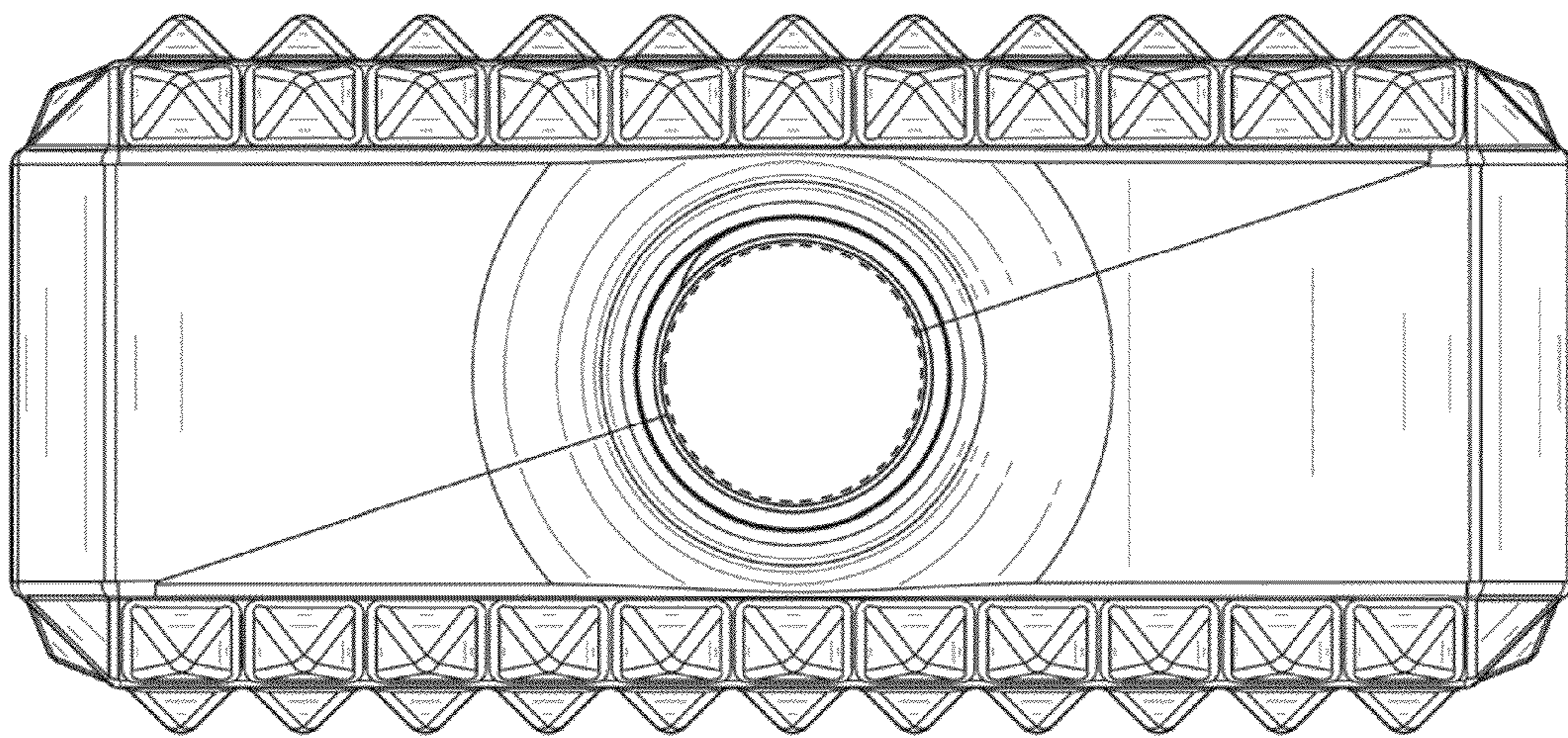


FIG. 6

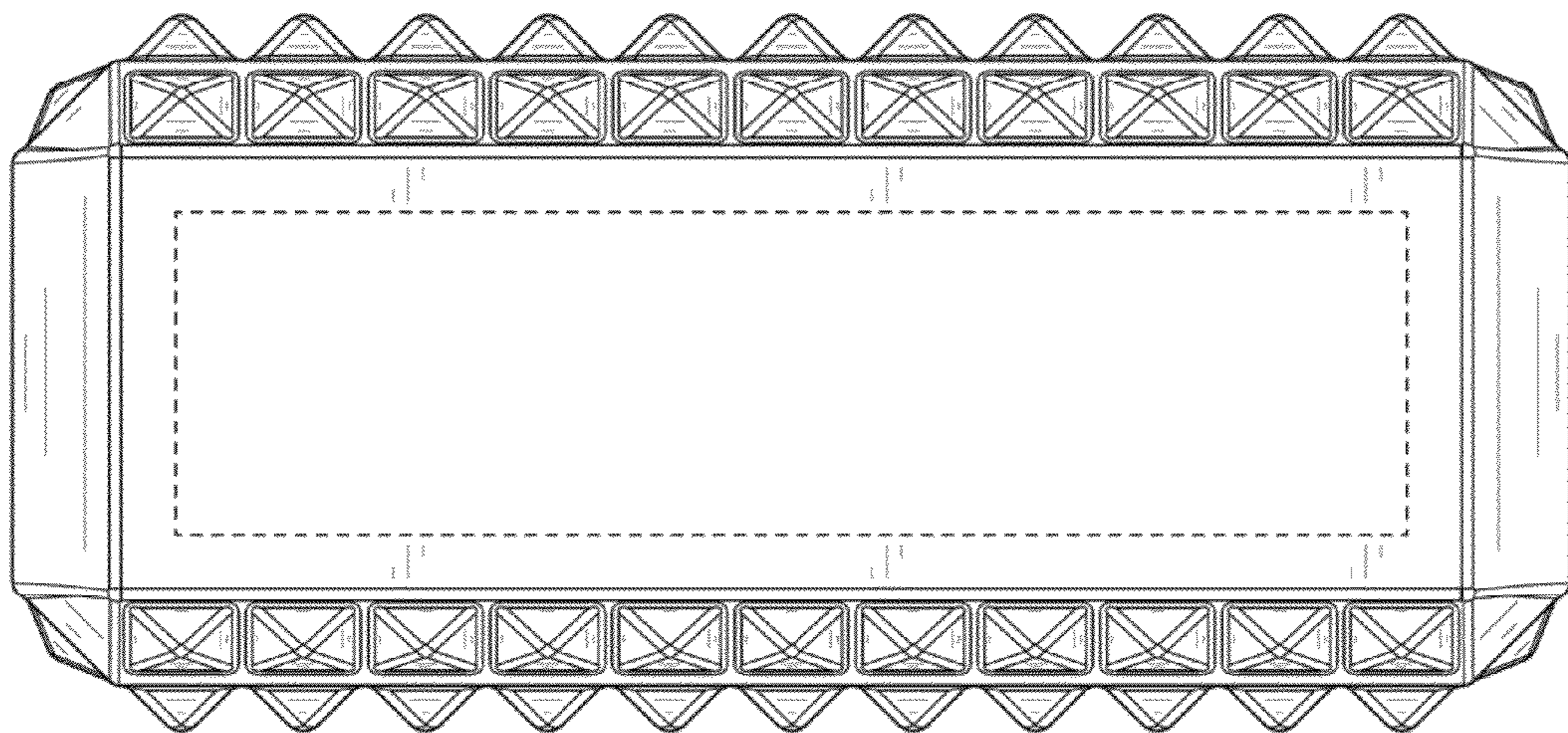


FIG. 7

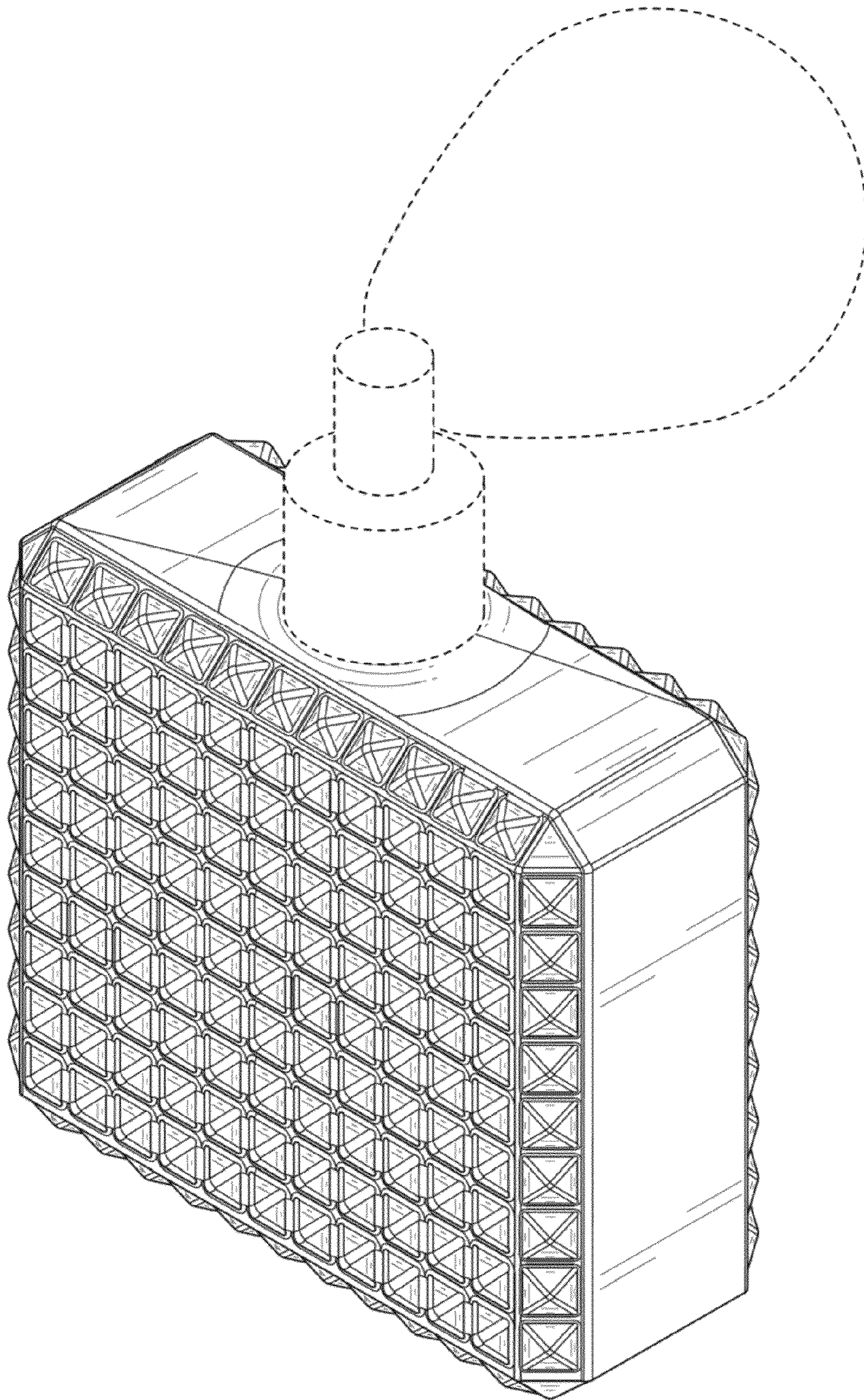


FIG. 8