



US00D741717S

(12) **United States Design Patent**
Bar-Tal et al.

(10) **Patent No.:** **US D741,717 S**

(45) **Date of Patent:** **** Oct. 27, 2015**

(54) **CANISTER PORTION**

(71) Applicant: **Sycamore Israel (1994) Ltd.**, Petach
Tiqva (IL)

(72) Inventors: **Galit Bar-Tal**, Ganei Tiqva (IL); **Oded
Havia-Nevo**, Palmahim (IL); **Rachel
Igra**, Givat Shmuel (IL)

(73) Assignee: **SYCAMORE ISRAEL (1994) LTD.**,
Petach Tiqva (IL)

(**) Term: **14 Years**

(21) Appl. No.: **29/449,344**

(22) Filed: **Apr. 5, 2013**

(51) **LOC (10) Cl.** **09-01**

(52) **U.S. Cl.**

USPC **D9/550; D9/557**

(58) **Field of Classification Search**

USPC D9/502, 516, 529, 538, 549–550, 557;
220/660, 662, 669, 675; 215/382–384,
215/396, 398, 400; D7/615; D30/127

See application file for complete search history.

(56) **References Cited**

U.S. PATENT DOCUMENTS

439,622	A	*	11/1890	Bastin	206/225
D96,112	S	*	7/1935	Guerlain	D9/502
D105,274	S	*	7/1937	Fuerst	D9/502
3,120,974	A	*	2/1964	Matson	215/396 X
D303,497	S	*	9/1989	Larson	D9/557 X
D319,552	S	*	9/1991	Christensen	D9/520 X
D328,248	S	*	7/1992	Ruff	D9/418
D328,946	S	*	8/1992	Havrilla	D23/365
D339,514	S	*	9/1993	Hirst et al.	D9/502 X
D360,829	S	*	8/1995	Leeds	D9/538 X

D362,441	S	*	9/1995	Mark	D14/216
D363,027	S	*	10/1995	Mansau	D9/557 X
D363,642	S	*	10/1995	Goto et al.	D7/523 X
D365,178	S	*	12/1995	Rakocy et al.	D32/23
D372,196	S	*	7/1996	Gerhart et al.	D9/543 X
D398,532	S	*	9/1998	Crawford	D9/502
D406,066	S	*	2/1999	Crawford	D9/557
D448,290	S	*	9/2001	Schultz et al.	D9/503
D476,560	S	*	7/2003	Hanson et al.	D9/727
D501,793	S	*	2/2005	Carmichael et al.	D9/503
D515,916	S	*	2/2006	Bleuer	D9/428
D543,857	S	*	6/2007	Shu	D9/529
D561,032	S	*	2/2008	Fuchs	D9/529
D591,589	S	*	5/2009	Myers et al.	D7/615 X
D619,471	S	*	7/2010	Graunstadt et al.	D9/558 X

* cited by examiner

Primary Examiner — Carol P Rademaker

(74) *Attorney, Agent, or Firm* — Daniel Feigelson; Fourth
Dimension IP

(57) **CLAIM**

The ornamental design for a canister portion, as shown and
described.

DESCRIPTION

FIG. 1 is a front elevational view of a canister portion, show-
ing our new design;

FIG. 2 is a back elevational view thereof;

FIG. 3 is a left side elevational view thereof;

FIG. 4 is a right side elevational view thereof;

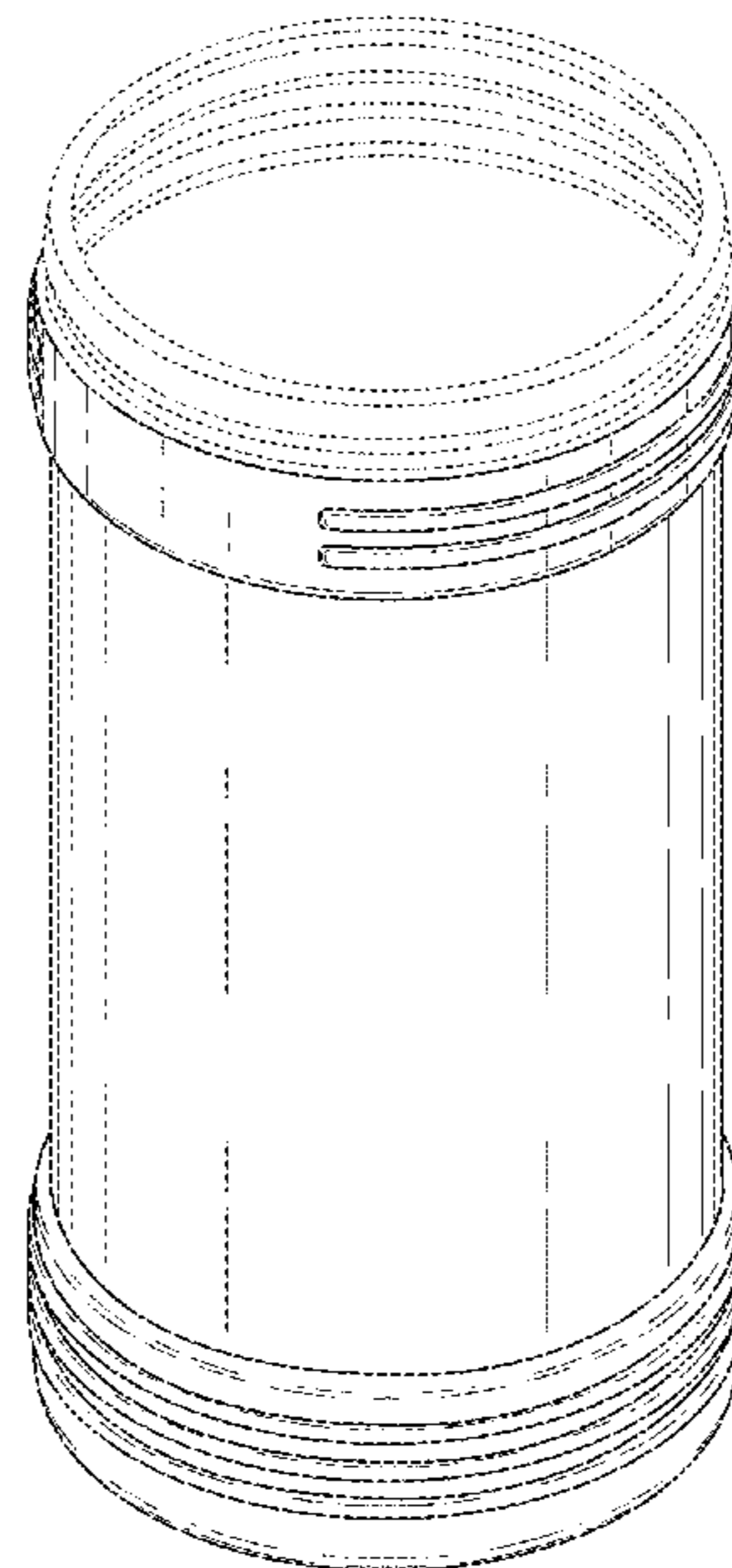
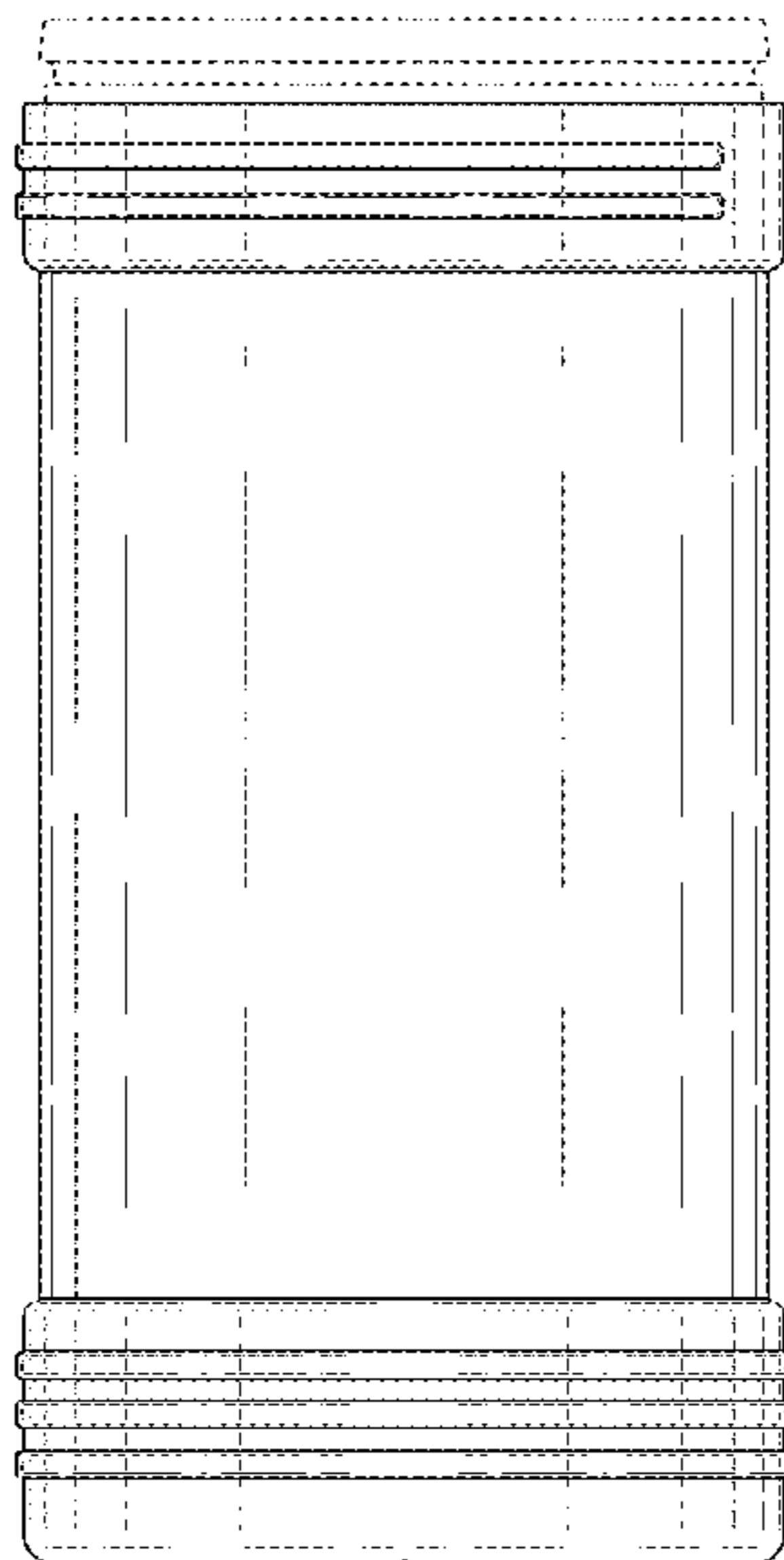
FIG. 5 is a top plan view thereof;

FIG. 6 is a bottom plan view thereof; and,

FIG. 7 is a top, front, right side isometric view thereof.

The broken lines are for purposes of illustrating unclaimed
portions of the canister portion and form no part of the
claimed design.

1 Claim, 7 Drawing Sheets



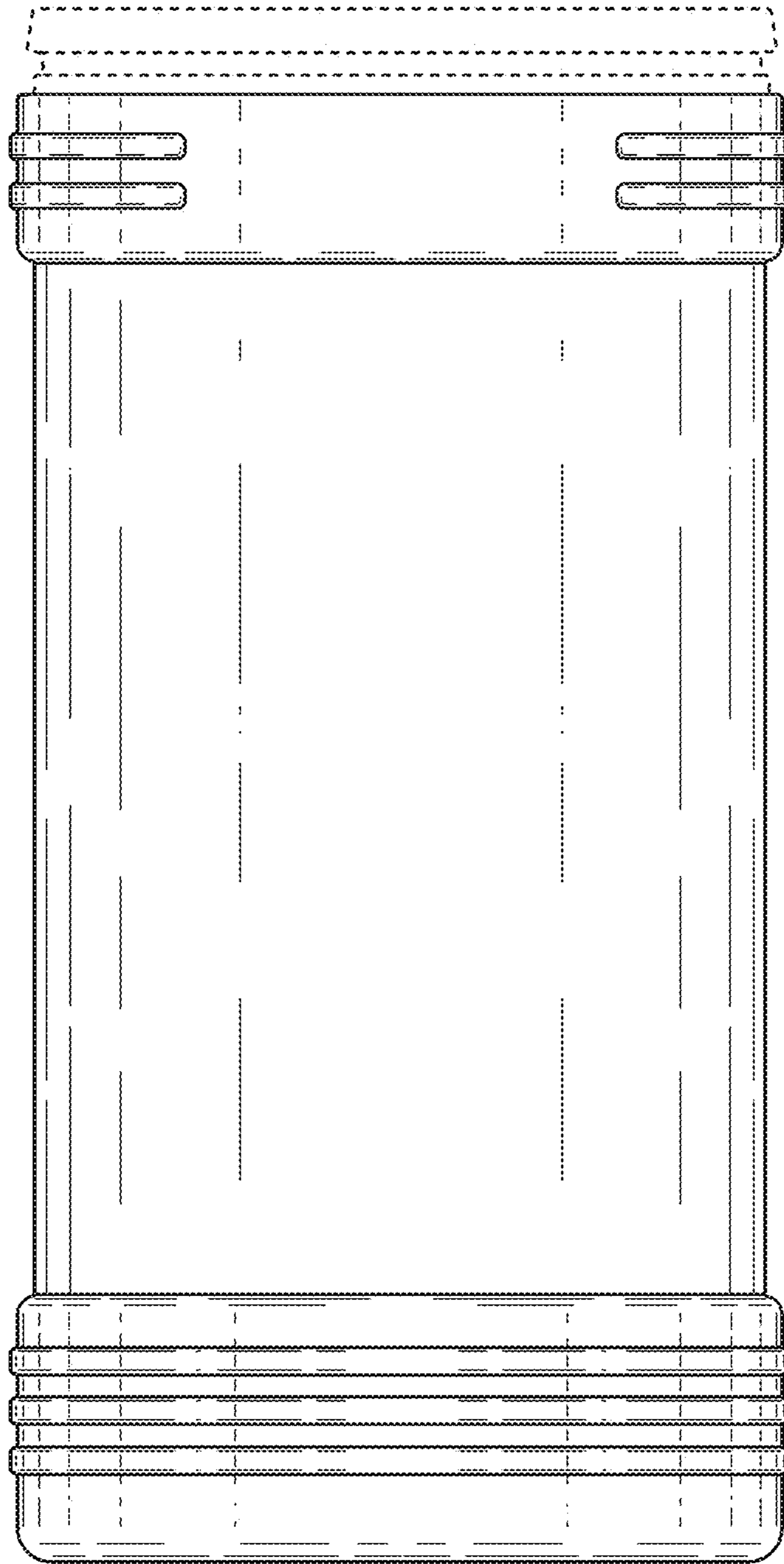


FIG. 1

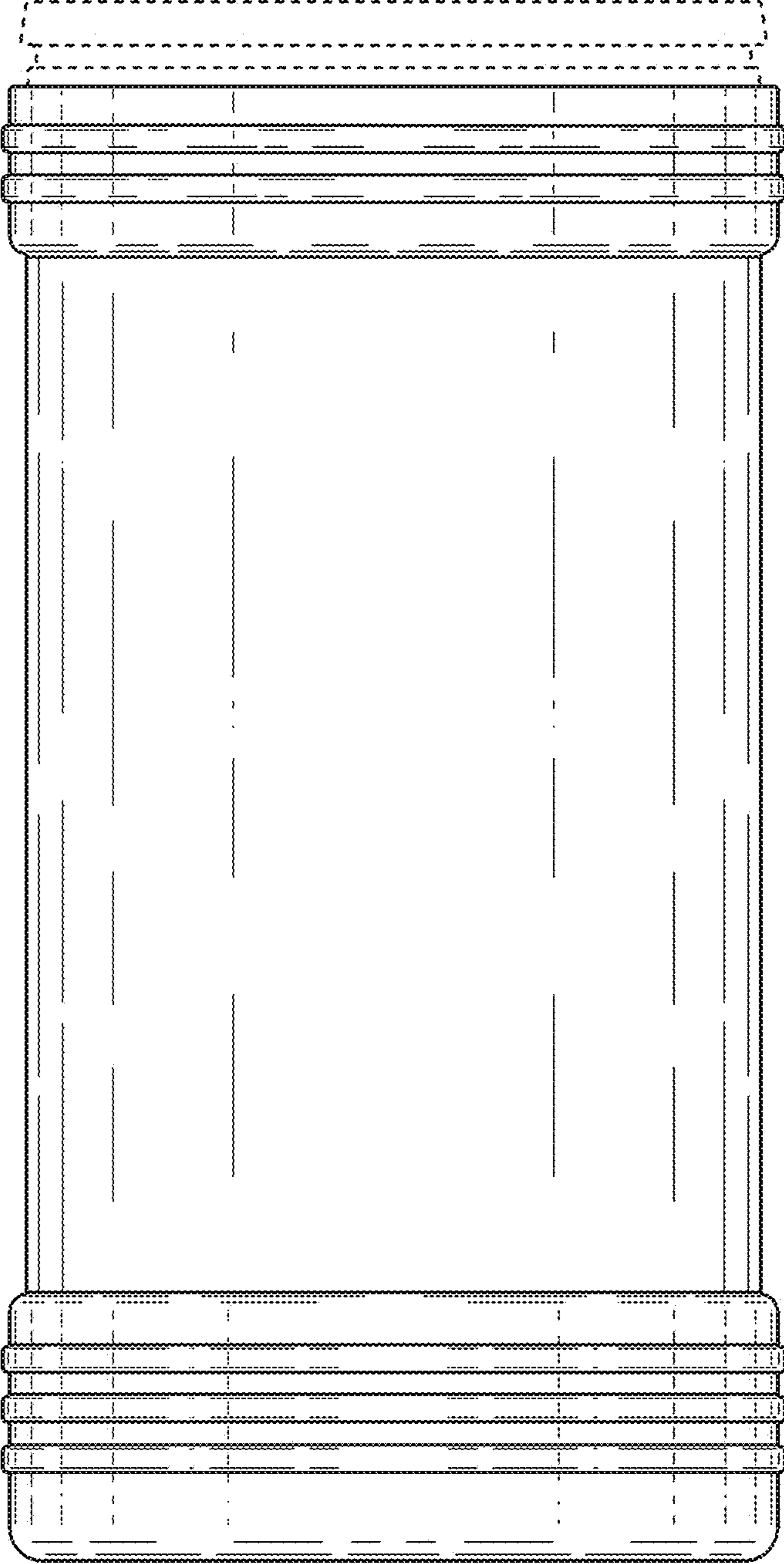


FIG. 2

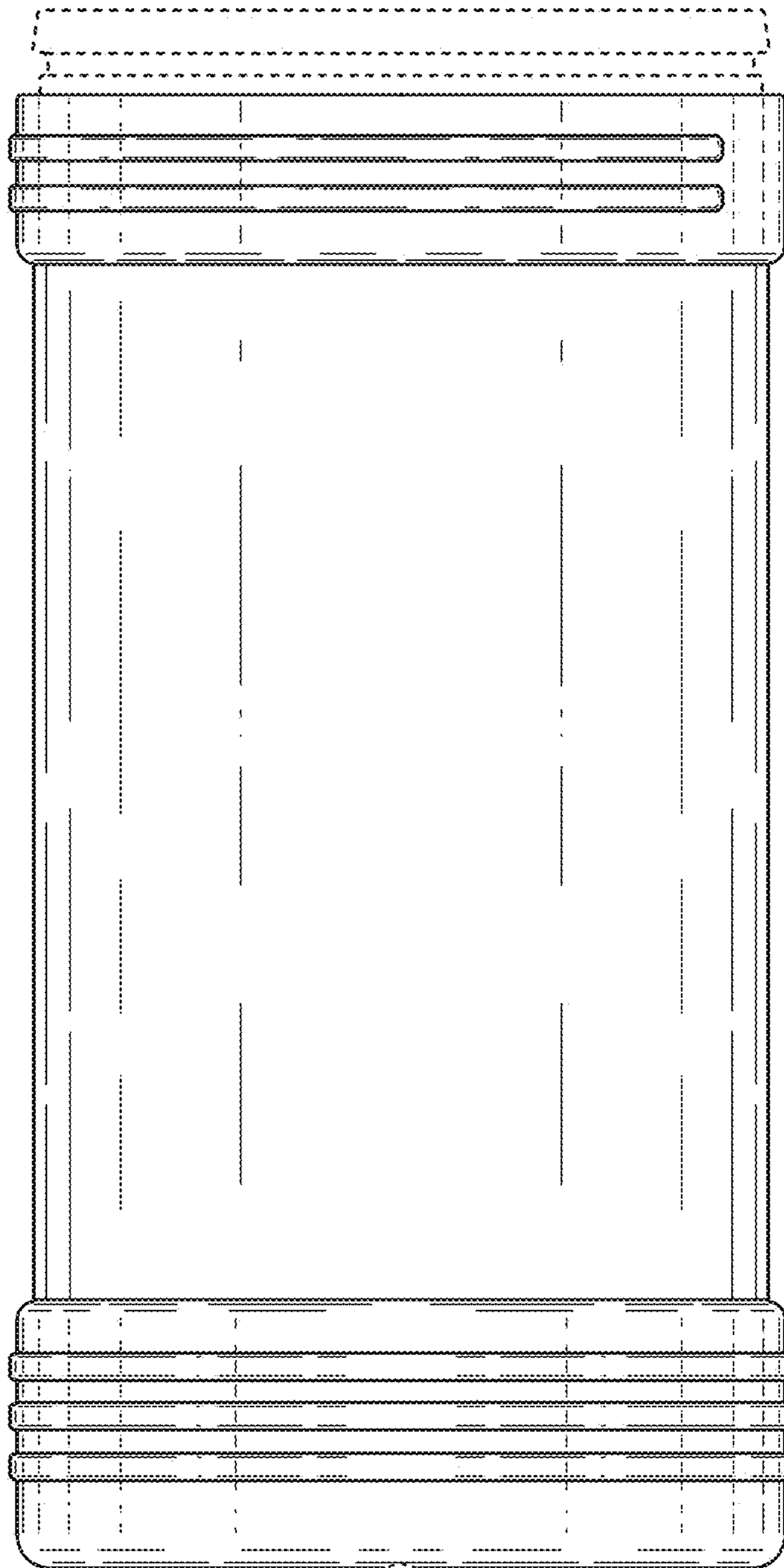


FIG. 3

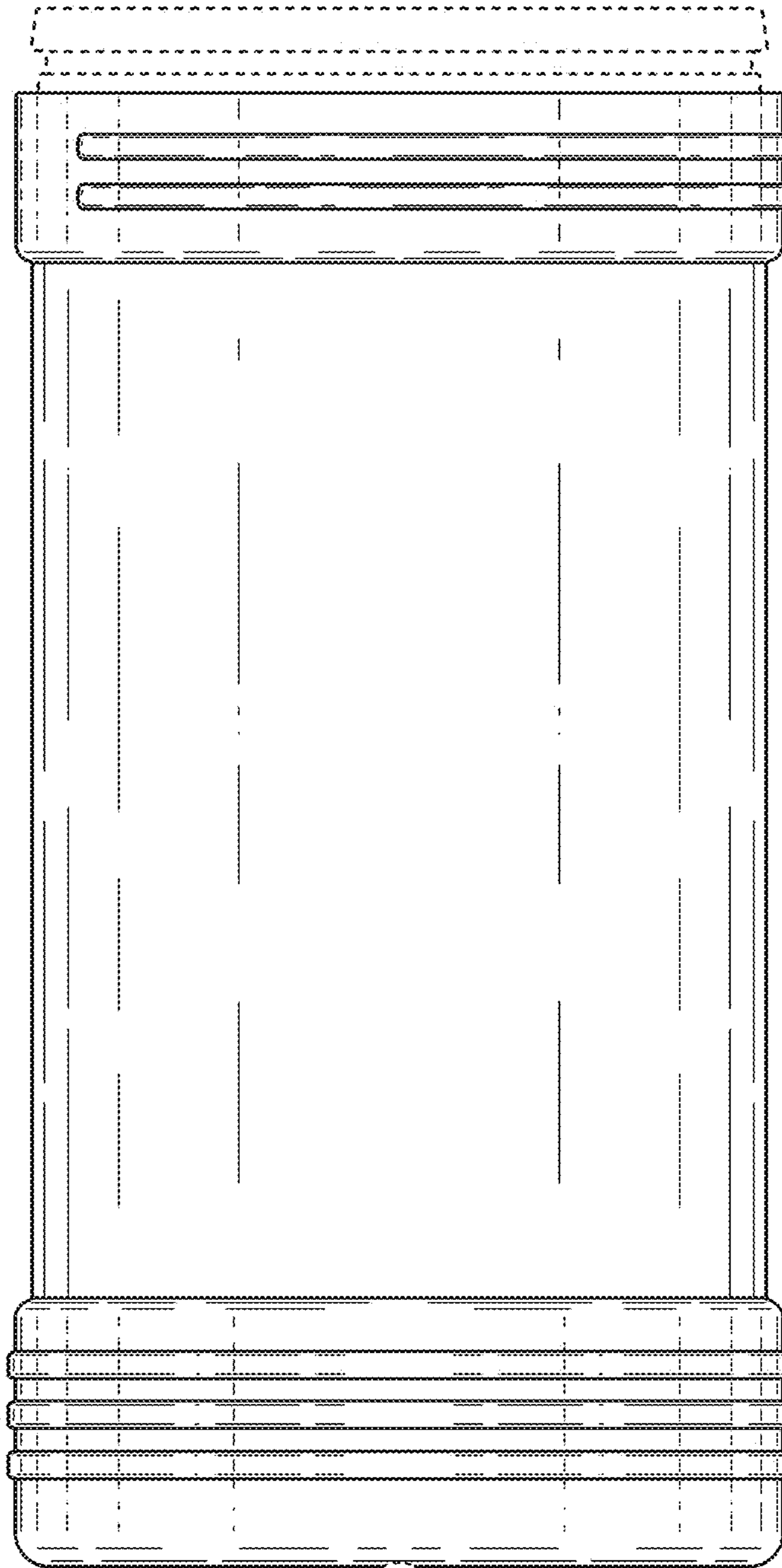


FIG. 4

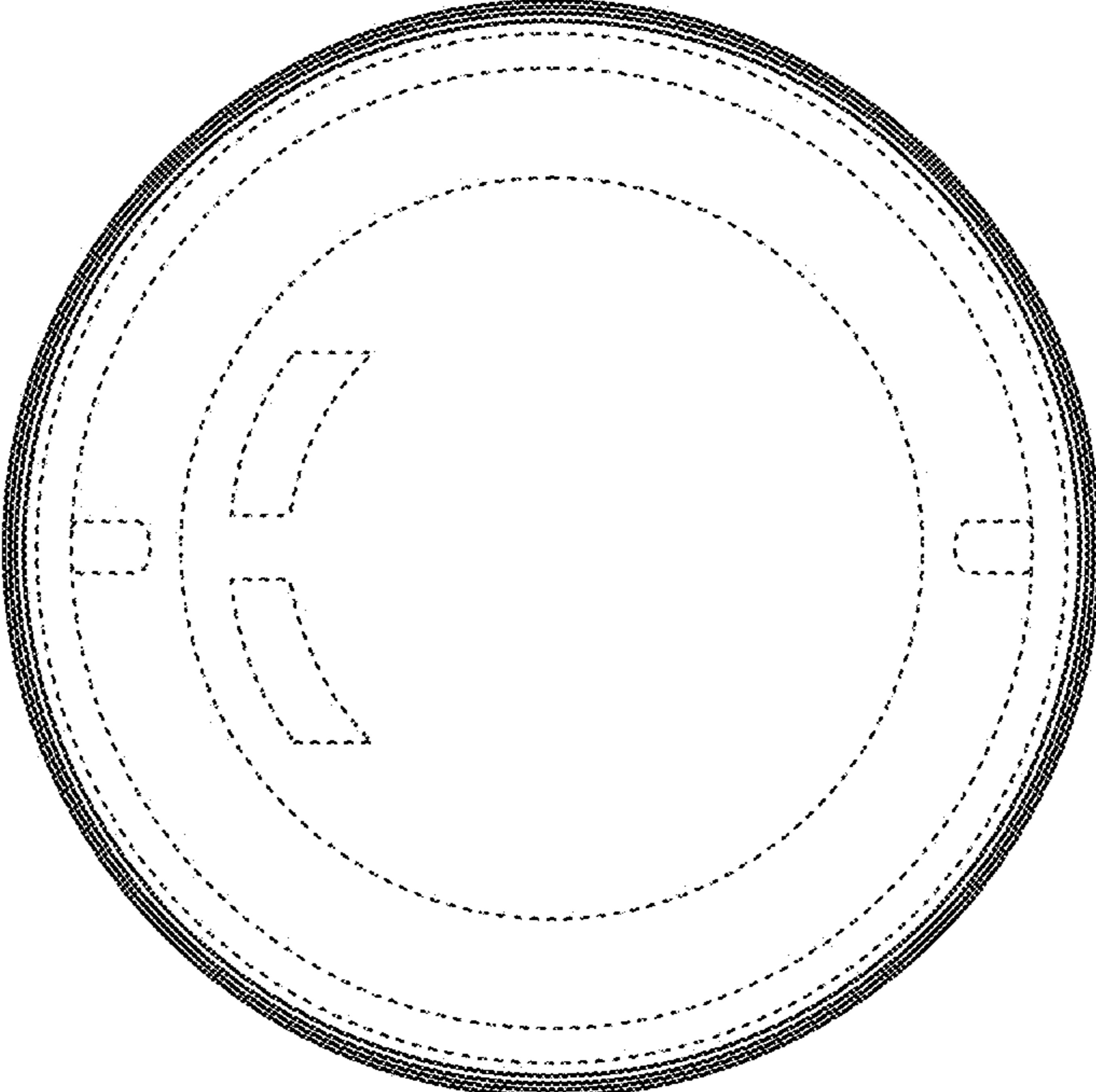


FIG. 5

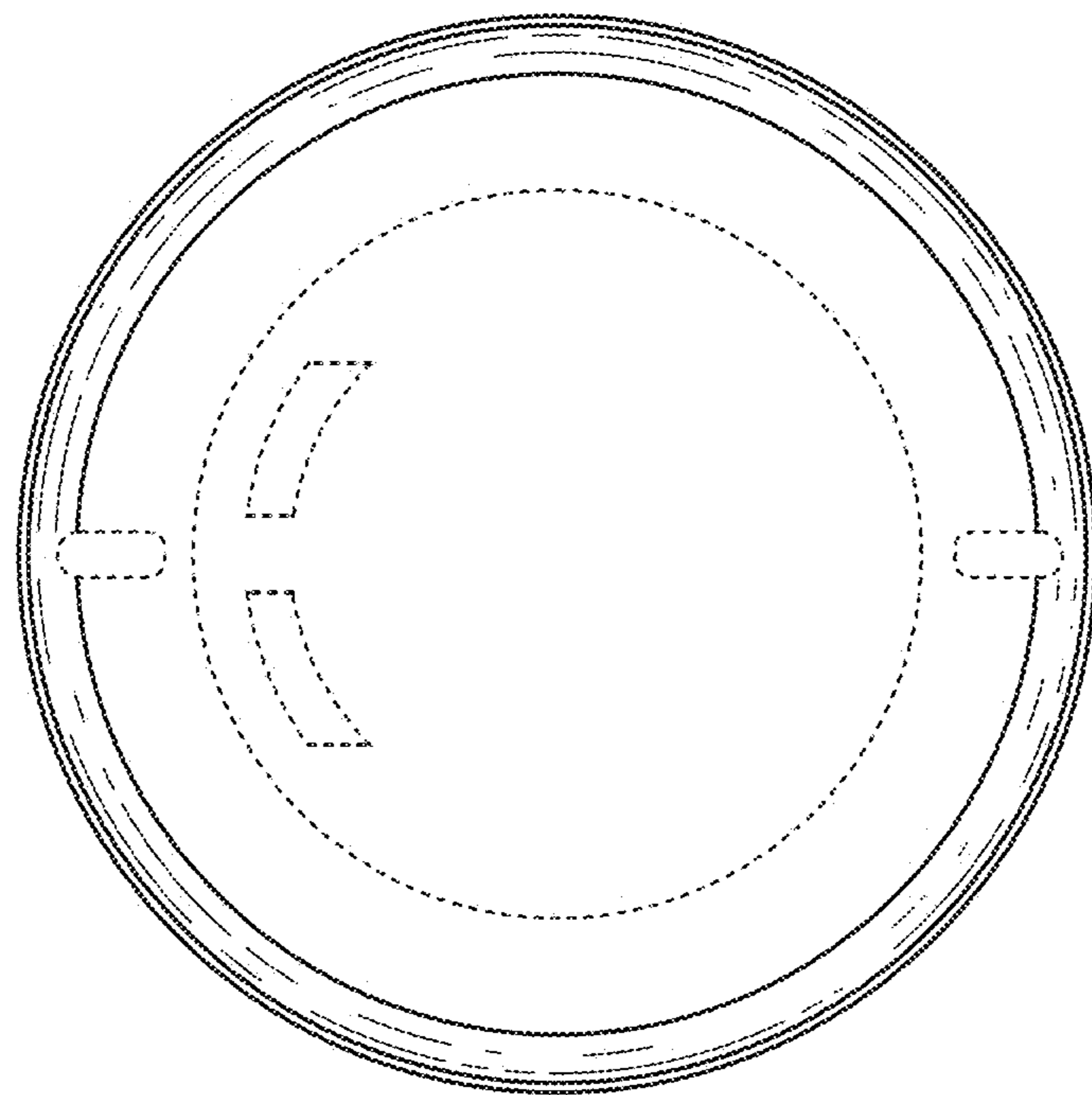


FIG. 6

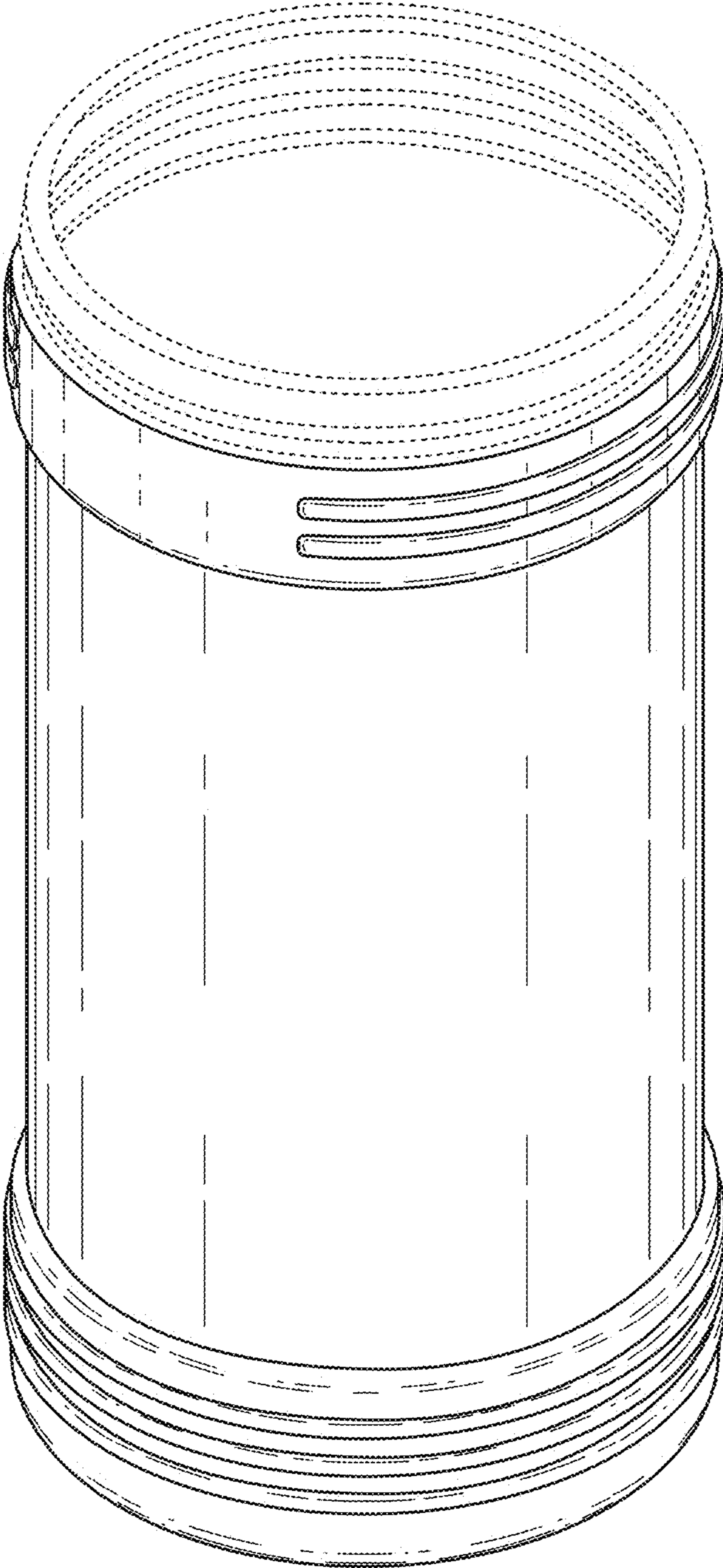


FIG. 7