



US00D741714S

(12) **United States Design Patent**
Llewellyn et al.

(10) **Patent No.:** **US D741,714 S**

(45) **Date of Patent:** **** *Oct. 27, 2015**

(54) **BOTTLE**

(71) Applicant: **Robinsons Soft Drinks Limited**, Hemel Hempstead (GB)

(72) Inventors: **Tim Llewellyn**, London (GB); **Ines Sanchez-Calatrava**, London (GB)

(73) Assignee: **ROBINSONS SOFT DRINKS LIMITED**, Hemel Hempstead (GB)

(*) Notice: This patent is subject to a terminal disclaimer.

(**) Term: **14 Years**

(21) Appl. No.: **29/434,074**

(22) Filed: **Oct. 9, 2012**

(51) **LOC (10) Cl.** **09-01**

(52) **U.S. Cl.**
USPC **D9/538; D9/540; D9/551; D9/552; D9/571**

(58) **Field of Classification Search**
USPC **D9/516, 538, 539, 541, 551, 552, 558; D7/509, 510, 511; 215/382, 383, 384**
See application file for complete search history.

(56) **References Cited**

U.S. PATENT DOCUMENTS

5,409,750	A *	4/1995	Hamada et al.	428/35.7
D379,154	S *	5/1997	Cox	D9/552 X
5,906,286	A *	5/1999	Matsuno et al.	215/375
D427,071	S *	6/2000	Williams et al.	D9/520
D453,686	S *	2/2002	Petursdottir	D9/570
D466,415	S *	12/2002	Reis	D9/552
D506,142	S *	6/2005	Gauthier	D9/560

D515,427	S *	2/2006	Schuller et al.	D9/516
D558,582	S *	1/2008	Venkataraman et al.	D9/550
D561,598	S *	2/2008	Dellevigne	D9/552 X
D570,691	S *	6/2008	Robbins et al.	D9/516
D573,029	S *	7/2008	Venkataraman et al.	D9/538
D601,906	S *	10/2009	Leruste	D9/565 X
D612,733	S *	3/2010	Eugui et al.	D9/516
D621,264	S *	8/2010	Williams	D9/538 X
D623,951	S *	9/2010	Eugui et al.	D9/516
D644,927	S *	9/2011	White et al.	D9/516
D644,929	S *	9/2011	White et al.	D9/540
D648,222	S *	11/2011	Snyder et al.	D9/538
D682,700	S *	5/2013	White et al.	D9/538
8,469,214	B2 *	6/2013	Boukobza	215/375
D699,580	S *	2/2014	Eaton et al.	D9/537 X
D700,519	S *	3/2014	Eaton et al.	D9/516
D719,449	S *	12/2014	Eaton et al.	D9/516
8,905,253	B2 *	12/2014	Mooney	215/381

* cited by examiner

Primary Examiner — Carol P Rademaker

(74) *Attorney, Agent, or Firm* — Jean C. Edwards, Esq.;
Edwards Neils PLLC

(57) **CLAIM**

The ornamental design for a bottle, as shown and described.

DESCRIPTION

FIG. 1 is a perspective view of a bottle showing my new design;

FIG. 2 is a front elevational view thereof;

FIG. 3 is a rear elevational view thereof;

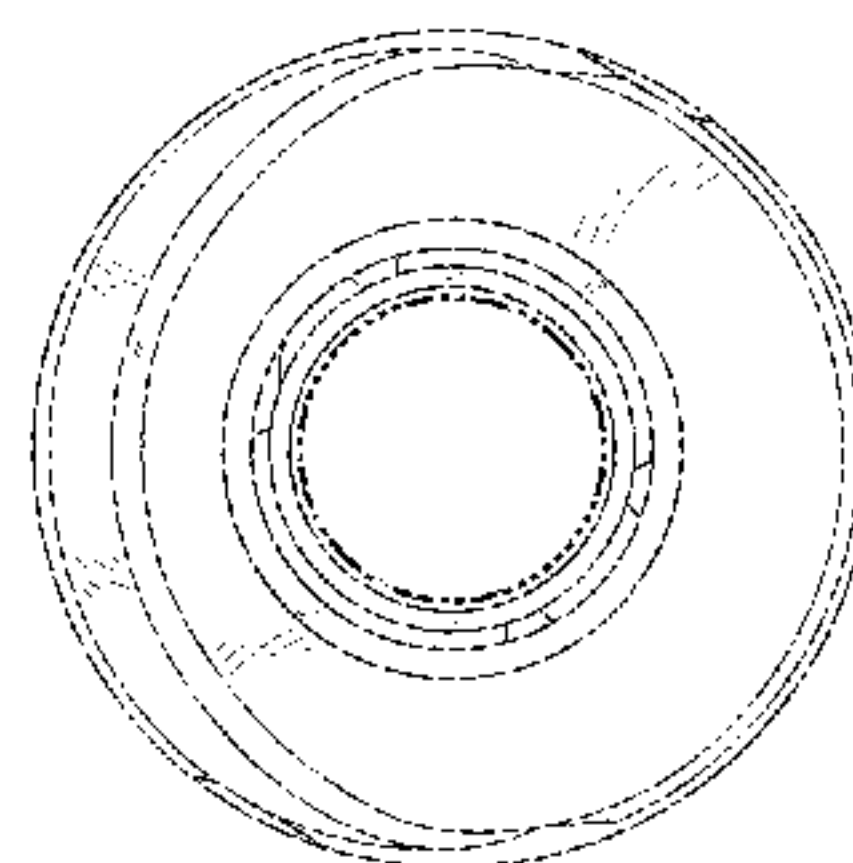
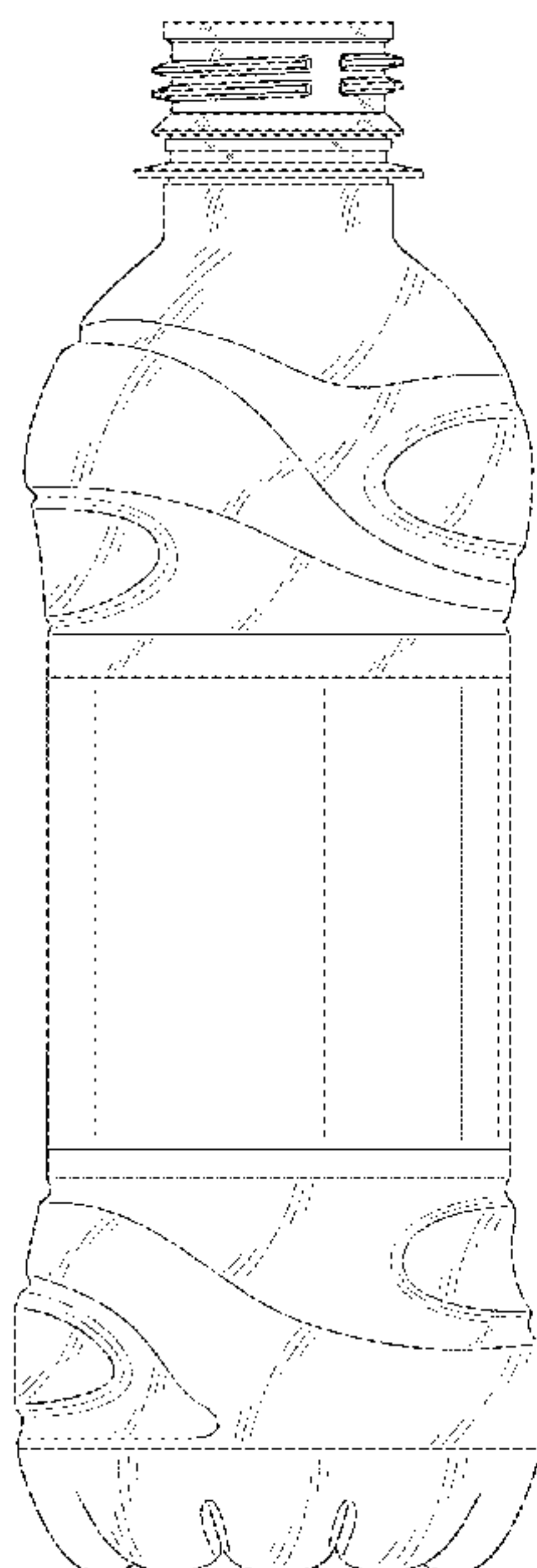
FIG. 4 is a left elevational view thereof;

FIG. 5 is a right elevational view thereof; and,

FIG. 6 is a top plan view thereof.

The dashed-dotted lines denote the boundary of the claim and form no part of the claimed design.

1 Claim, 6 Drawing Sheets



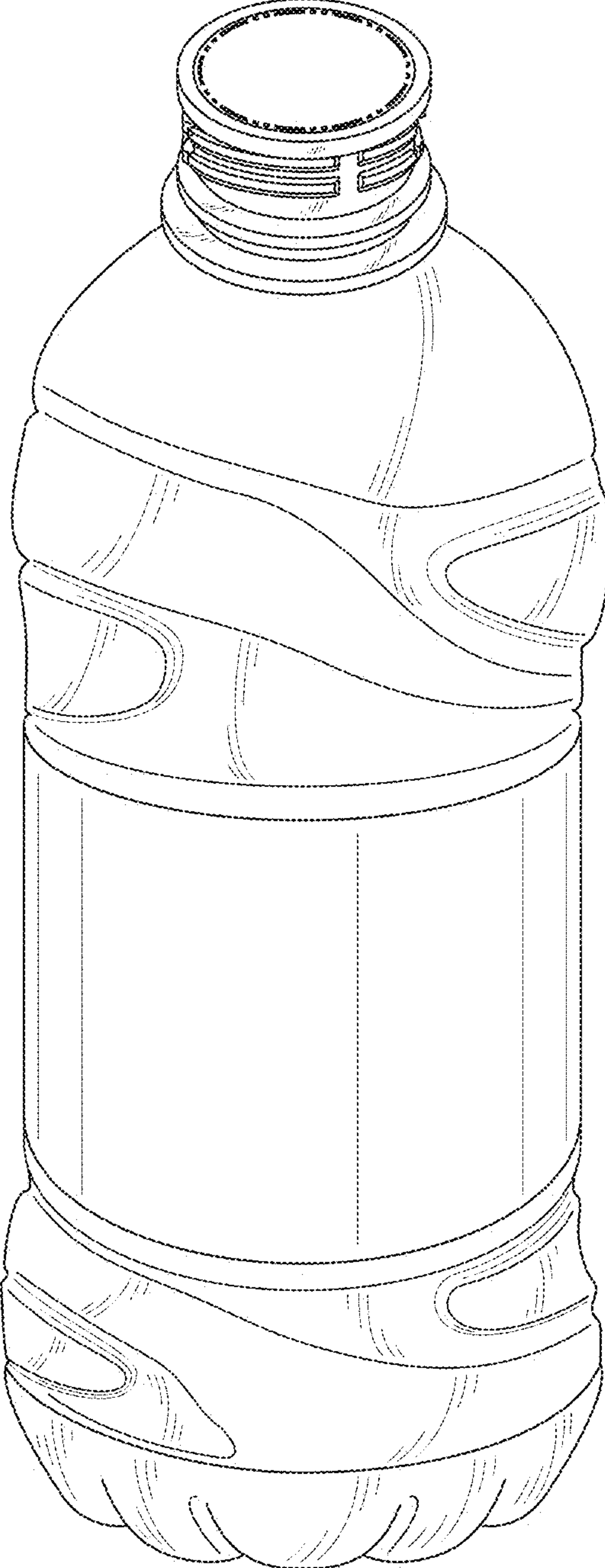


FIG. 1

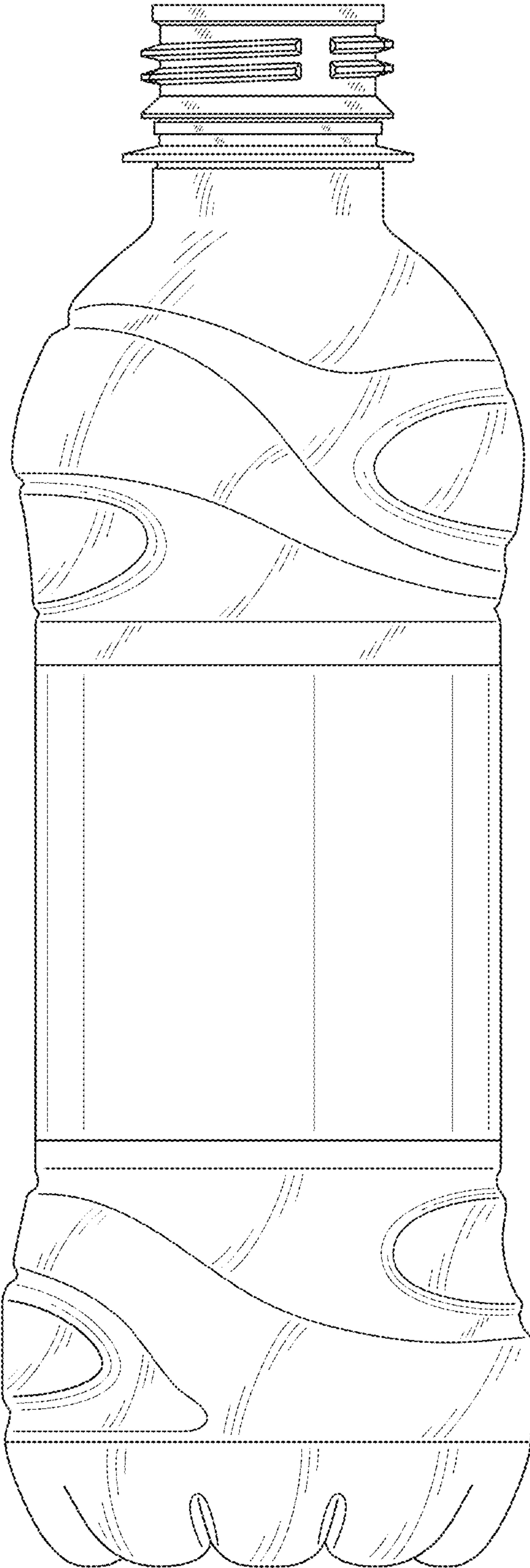


FIG. 2

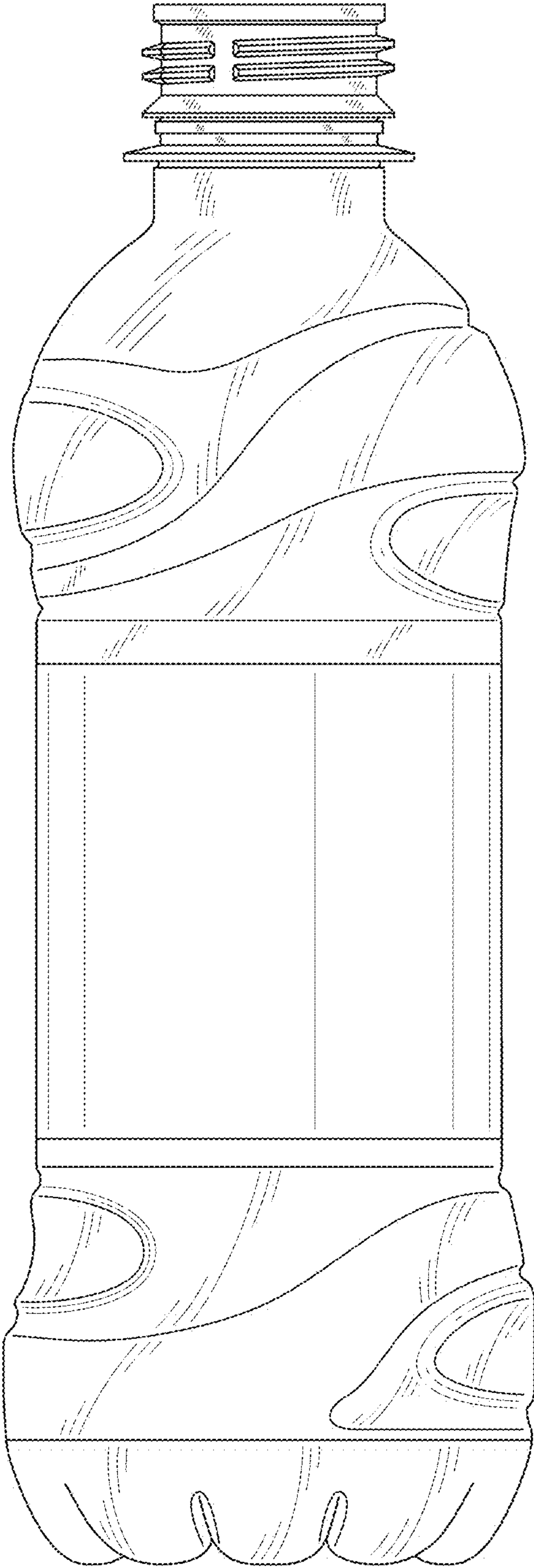


FIG. 3

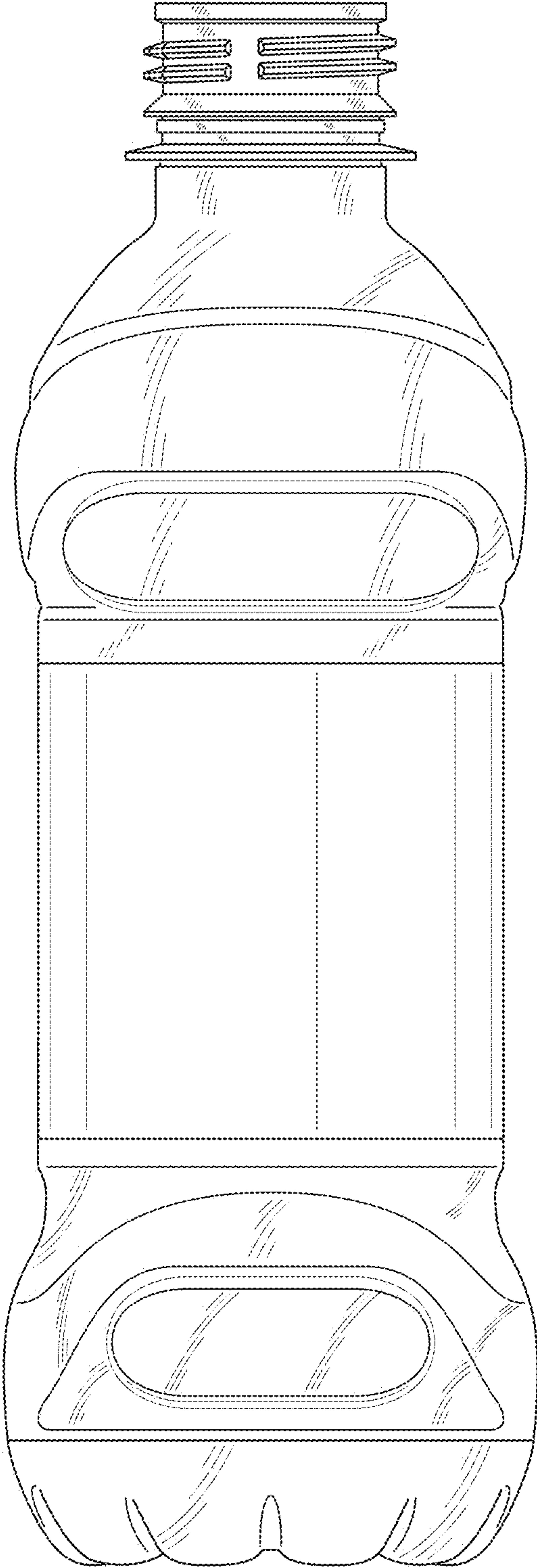


FIG. 4

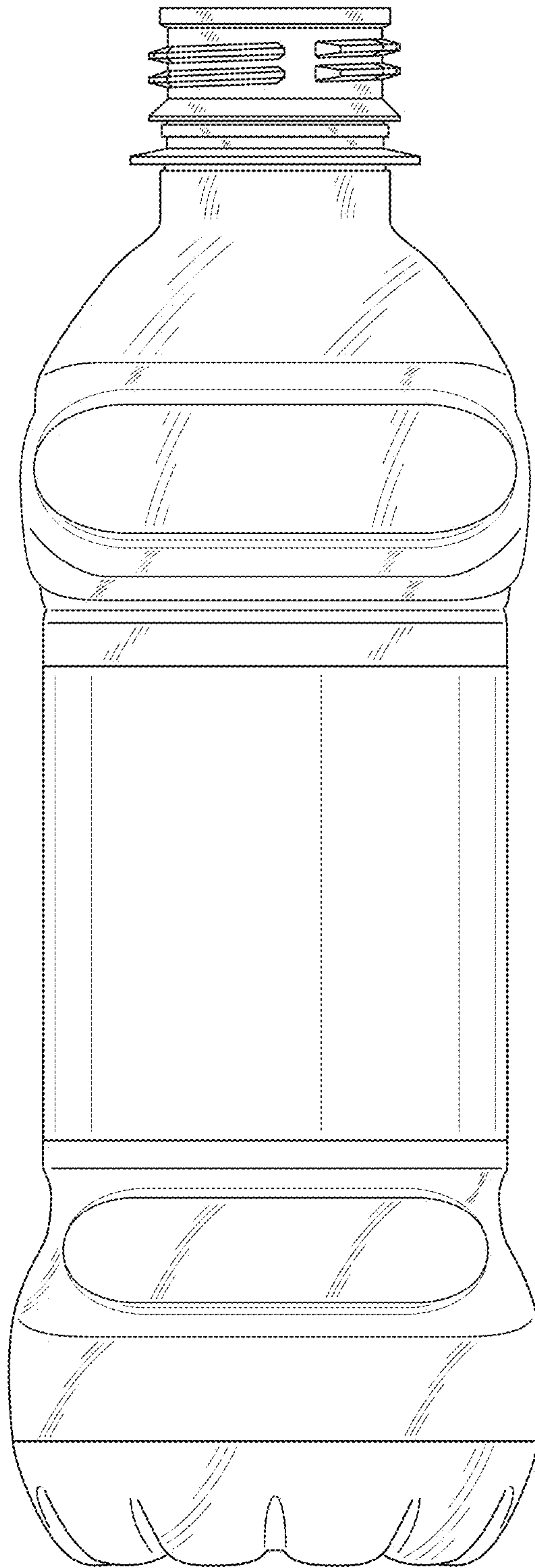


FIG. 5

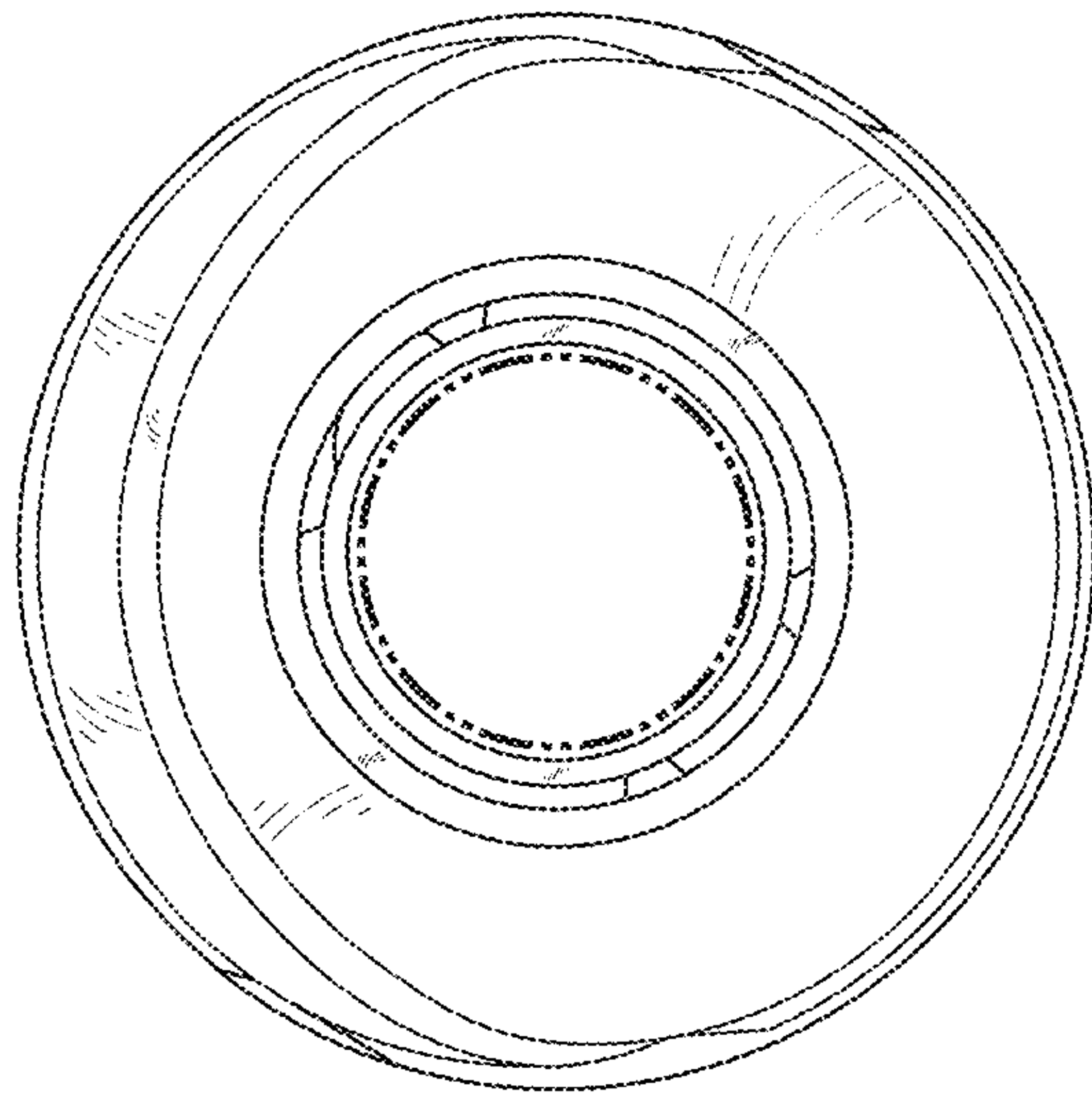


FIG. 6