



US00D741713S

(12) **United States Design Patent**  
**Serell**

(10) **Patent No.:** **US D741,713 S**

(45) **Date of Patent:** **\*\* Oct. 27, 2015**

- (54) **LOCKING CAP**
- (71) Applicant: **Sean Serell**, Fort Collins, CO (US)
- (72) Inventor: **Sean Serell**, Fort Collins, CO (US)
- (73) Assignee: **Secure Medication Systems, LLC**, Fort Collins, CO (US)
- (\*\*) Term: **14 Years**
- (21) Appl. No.: **29/497,884**
- (22) Filed: **Jul. 29, 2014**
- (51) **LOC (10) Cl.** ..... **09-07**
- (52) **U.S. Cl.**  
USPC ..... **D9/452**
- (58) **Field of Classification Search**  
USPC ..... D3/318; D9/452-454  
CPC ..... B65D 41/04  
See application file for complete search history.

5,284,262 A	2/1994	O’Nan	
D351,795 S *	10/1994	Ogden	D9/453
6,059,132 A	5/2000	Benjamin	
6,076,689 A *	6/2000	Vassallo	215/209
D506,928 S *	7/2005	Haggard	D9/434
D542,133 S *	5/2007	Haber et al.	D9/453
7,252,204 B1	8/2007	Small	
D583,154 S *	12/2008	Gonzalez	D3/318
D606,315 S *	12/2009	Mangano et al.	D3/318
7,624,889 B2 *	12/2009	Tharp et al.	220/288
7,942,287 B2 *	5/2011	King	220/296
8,393,483 B2 *	3/2013	Druitt	215/344
8,875,915 B2	11/2014	Serell	

\* cited by examiner

*Primary Examiner* — Holly Baynham

(74) *Attorney, Agent, or Firm* — William W. Cochran;  
Cochran Freund & Young LLC

(57) **CLAIM**

The ornamental design for a locking cap, as shown and described.

**DESCRIPTION**

FIG. 1 is a top isometric view of a locking cap showing my new design.

FIG. 2 is a top view thereof.

FIG. 3 is a bottom view thereof.

FIG. 4 is a front view thereof.

FIG. 5 is a back view thereof

FIG. 6 is a right side view thereof; and,

FIG. 7 is a left side view thereof.

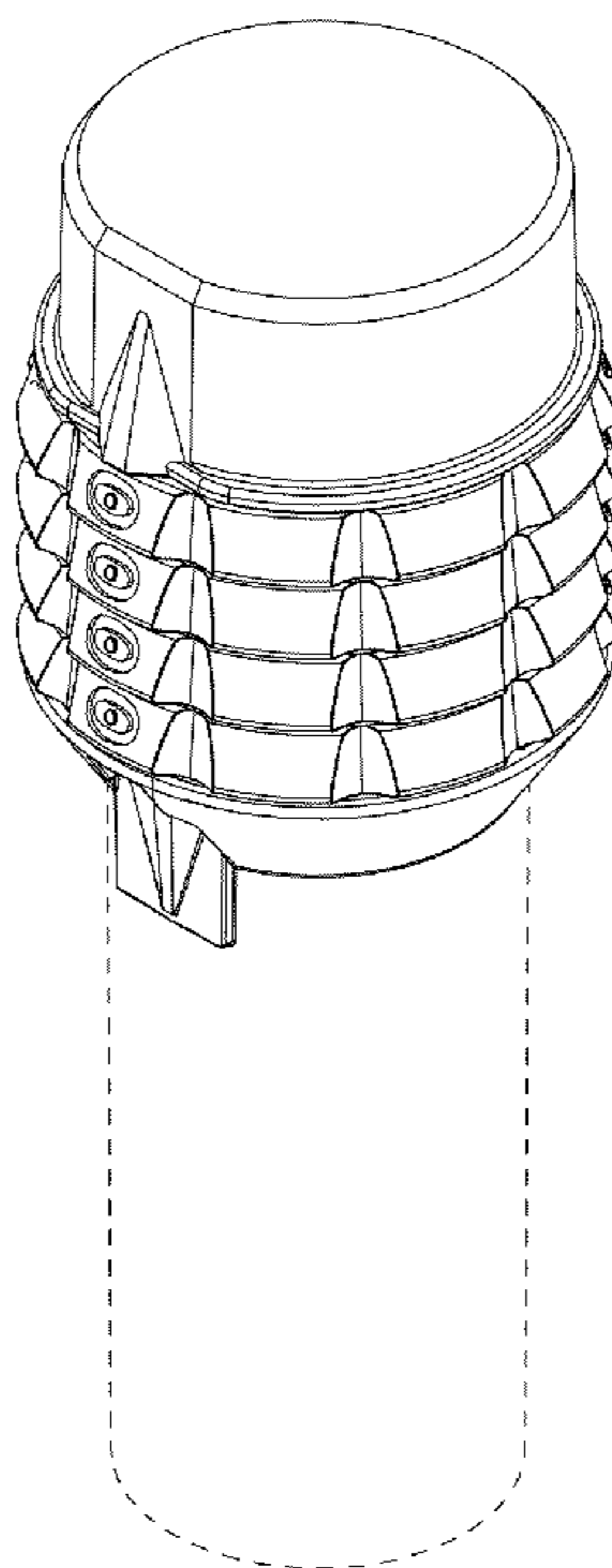
The broken lines showing a tubular structure are for the purpose of illustrating environment and form no part of the claimed design.

**1 Claim, 5 Drawing Sheets**

(56) **References Cited**

U.S. PATENT DOCUMENTS

3,421,347 A	1/1969	Sotory	
3,684,117 A	8/1972	Leopoldi et al.	
3,782,577 A	1/1974	Levey	
3,828,519 A	8/1974	Levey	
3,843,007 A	10/1974	Meyer	
D250,633 S *	12/1978	Bouthillier et al.	D9/453
4,354,365 A	10/1982	Mayer et al.	
4,445,348 A	5/1984	Saitoh	
4,615,191 A	10/1986	Grandy	
D302,113 S *	7/1989	Lunderman	D9/727
5,213,223 A	5/1993	Minnette	
5,277,325 A	1/1994	Yan	



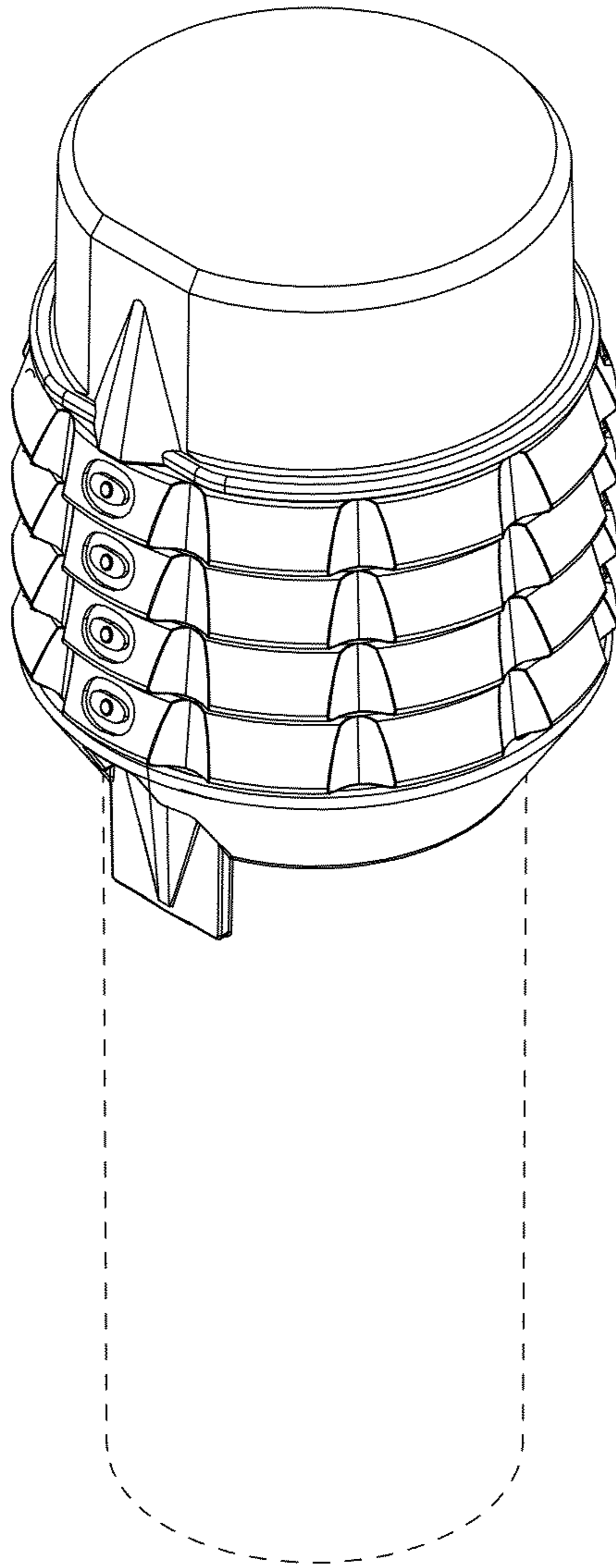


Fig. 1

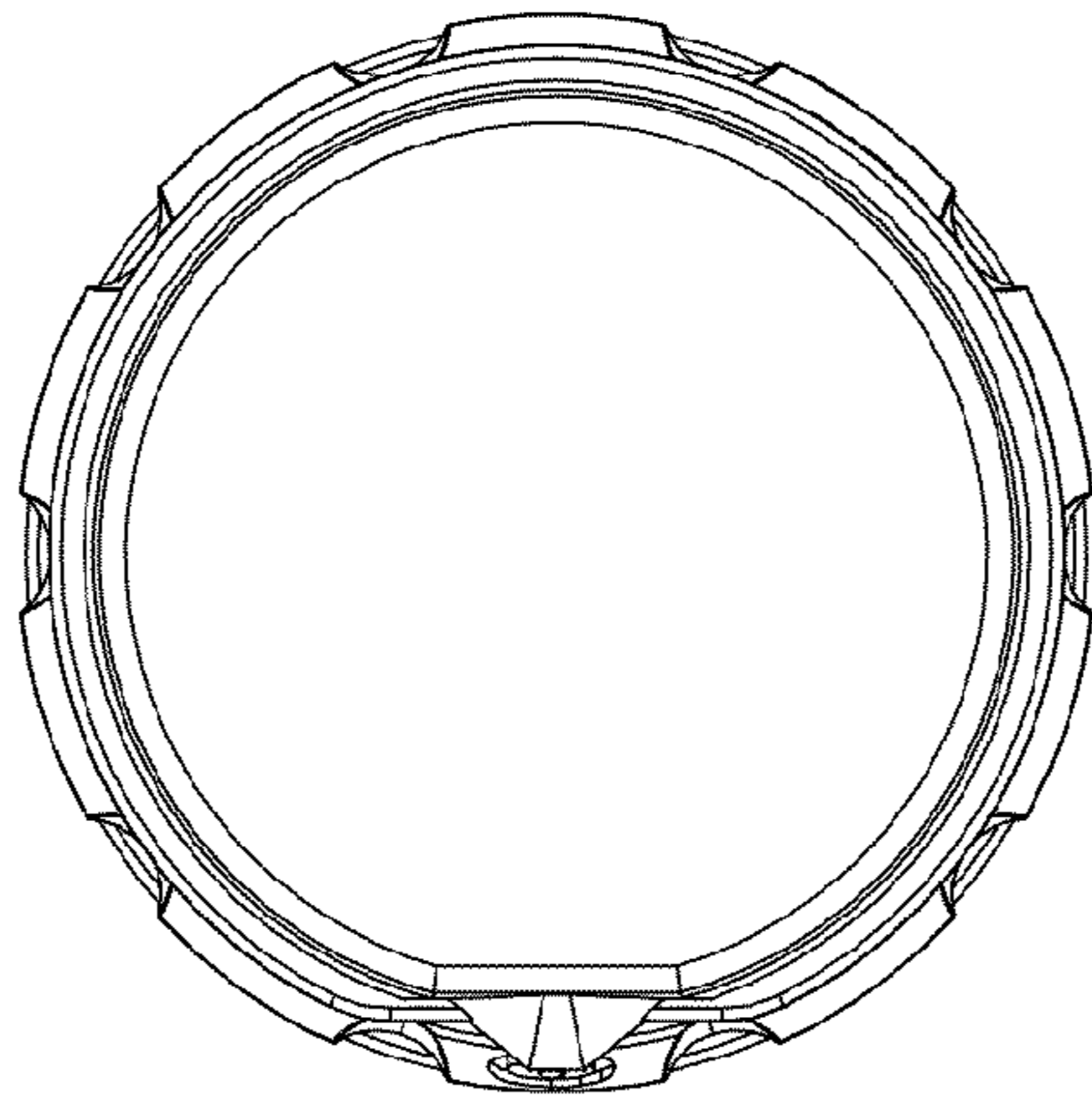


Fig. 2

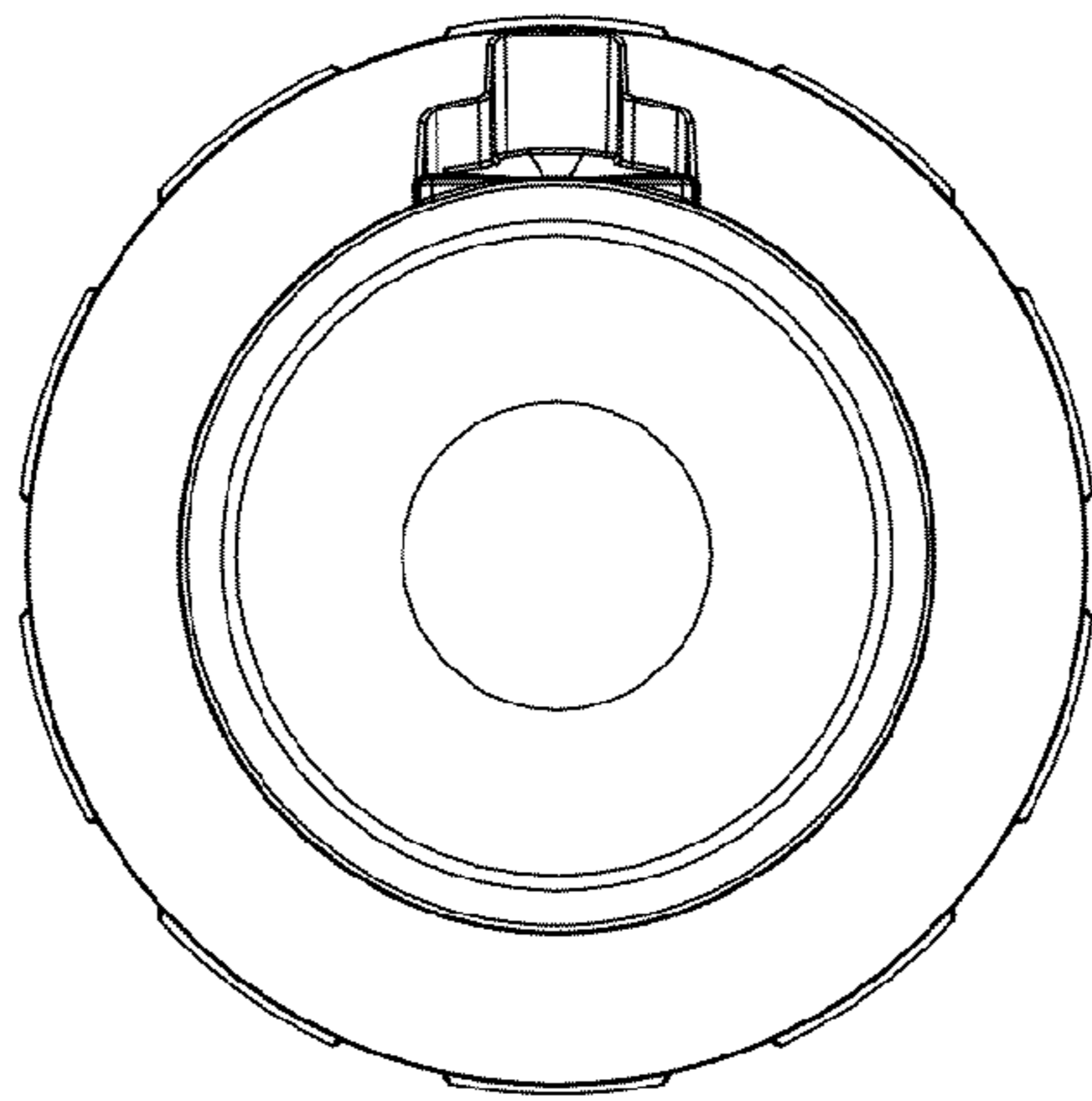


Fig. 3

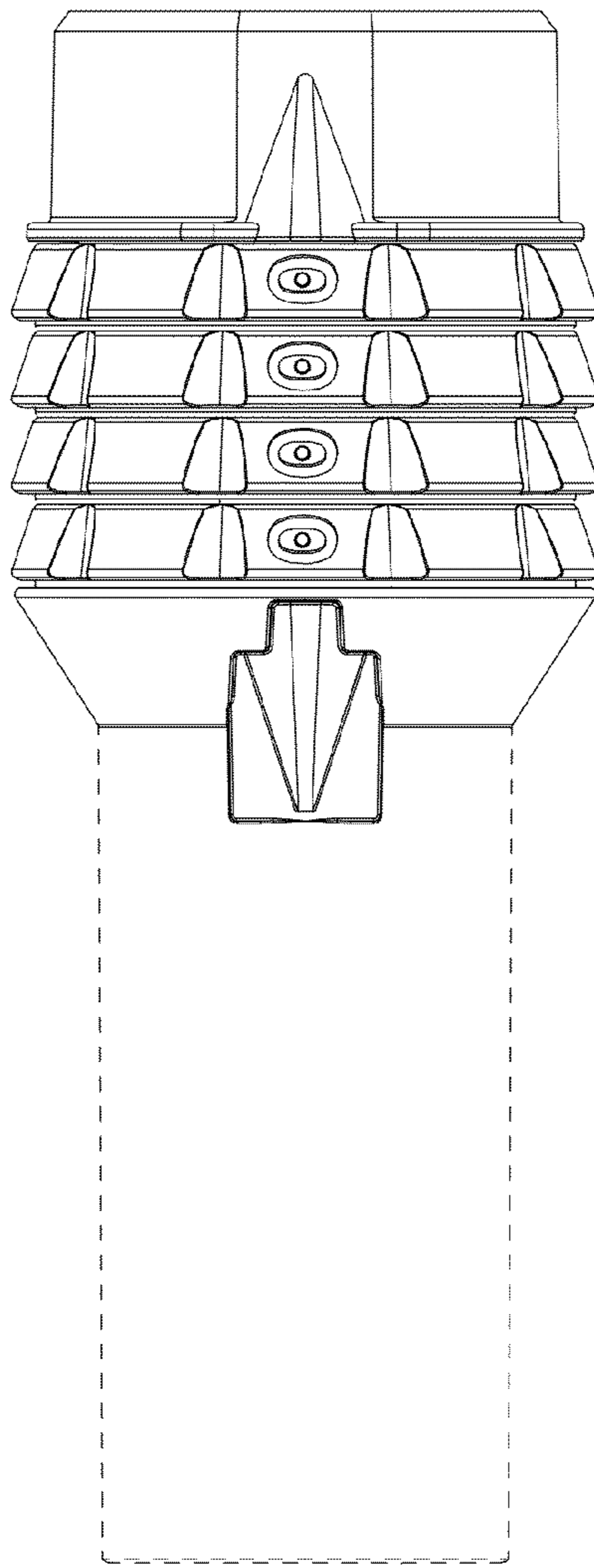


Fig. 4

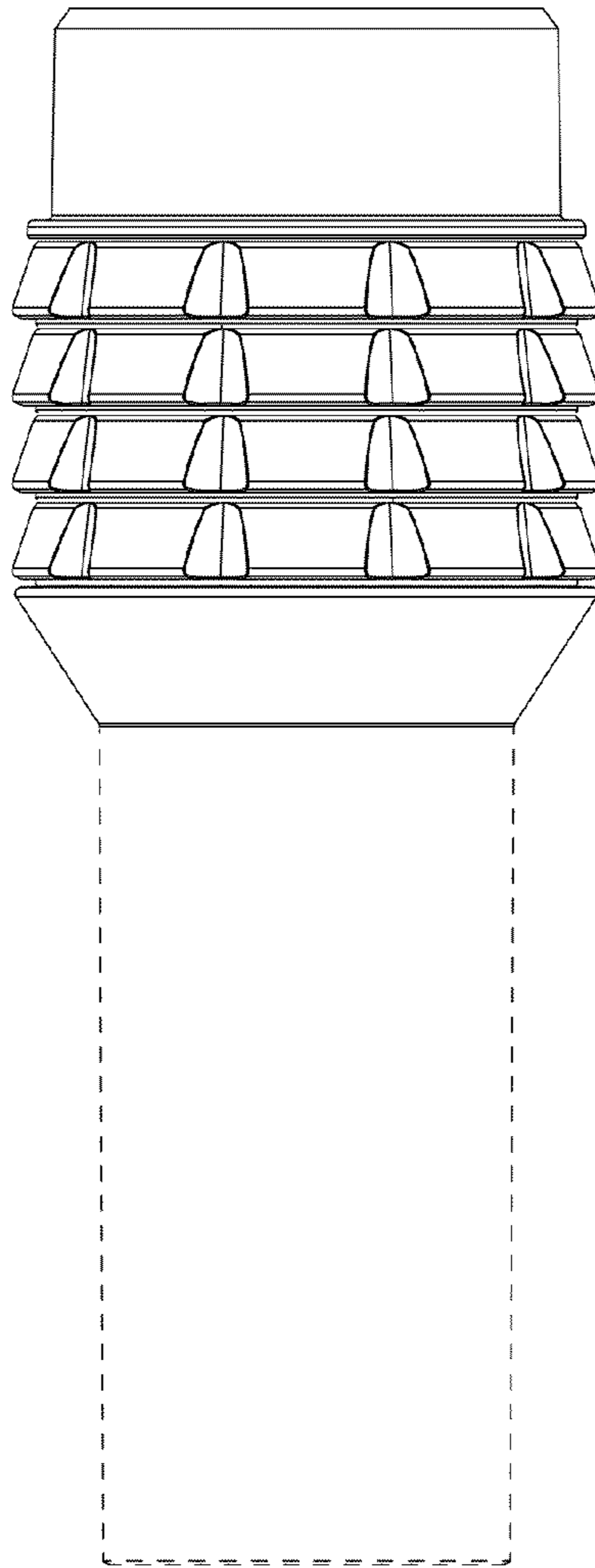


Fig. 5

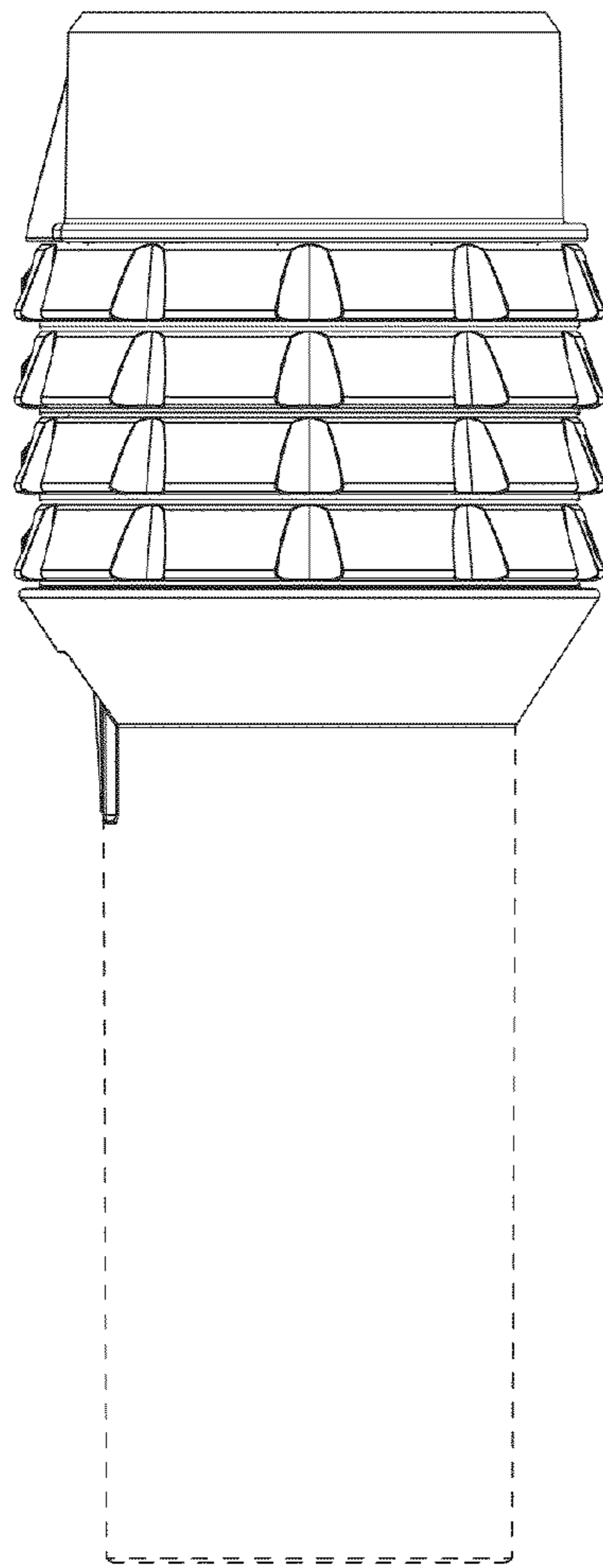


Fig. 6

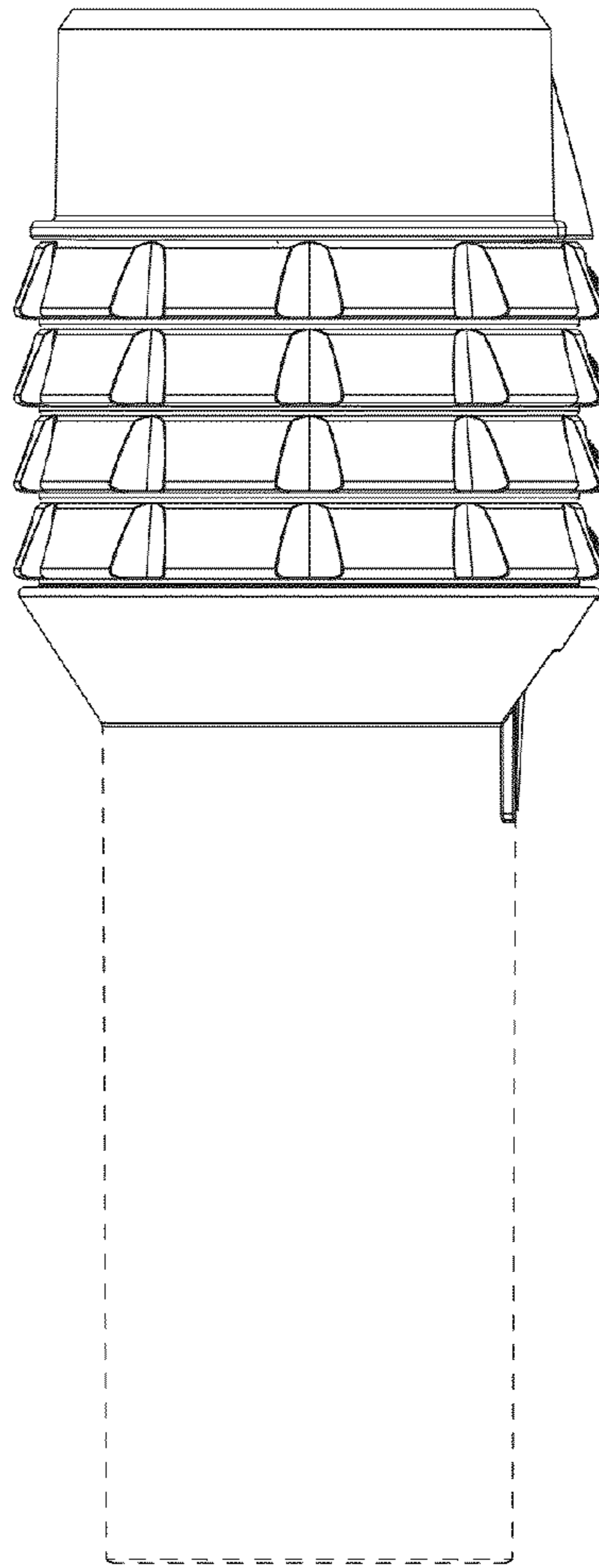


Fig. 7