



US00D741712S

(12) **United States Design Patent**  
**Mohr**

(10) **Patent No.:** **US D741,712 S**

(45) **Date of Patent:** **\*\* \*Oct. 27, 2015**

(54) **MISTER WATER CAP**

(71) Applicant: **Gerrie-Anne Mohr**, Peru, IN (US)

(72) Inventor: **Gerrie-Anne Mohr**, Peru, IN (US)

(\*) Notice: This patent is subject to a terminal disclaimer.

(\*\*) Term: **14 Years**

(21) Appl. No.: **29/467,171**

(22) Filed: **Sep. 16, 2013**

D319,188	S	*	8/1991	Cleminshaw	.....	D9/448
5,277,340	A	*	1/1994	Van Brocklin	.....	222/321.7
5,568,886	A	*	10/1996	Knickerbocker	.....	222/321.9
D401,150	S	*	11/1998	de Laforcade	.....	D9/448
D407,313	S	*	3/1999	Wadsworth et al.	.....	D9/448
5,938,081	A		8/1999	Foster et al.		
6,010,034	A		1/2000	Walthers		
6,050,457	A		4/2000	Arnold et al.		
D429,948	S	*	8/2000	Tate et al.	.....	D7/392.1
D573,017	S	*	7/2008	Henderson	.....	D9/436
D585,760	S	*	2/2009	Cheng	.....	D9/682
D621,706	S		8/2010	Breckan		
2006/0255003	A1		11/2006	Fuchs		
2006/0273115	A1		12/2006	De Pous		
2007/0045217	A1*		3/2007	Cho	.....	215/236
2009/0283549	A1		11/2009	Beranger		

\* cited by examiner

**Related U.S. Application Data**

(66) Substitute for application No. 13/066,770, filed on Apr. 25, 2011, now abandoned.

(51) **LOC (10) Cl.** ..... **09-07**

(52) **U.S. Cl.**  
USPC ..... **D9/448**

(58) **Field of Classification Search**  
USPC ..... D6/542-545; D7/300, 321, 392.1, D7/396.2, 500, 507, 509, 510, 511, 900; D9/434-449, 452-455, 682, 685; 215/200, 235, 236, 252, 259, 329, 215/355-364; 220/200, 220, 254.1, 254.4, 220/556, 703, 704, 705, 203.04-203.07; D28/4, 76, 88, 89, 82, 91.1  
CPC ..... F24F 2221/12; F24F 6/12; F24F 6/14; F24F 7/007; B01D 1/16; B01D 1/20; B01D 2257/80

See application file for complete search history.

(56) **References Cited**

**U.S. PATENT DOCUMENTS**

D313,788	S	*	1/1991	Odekirk	.....	D12/197
D314,513	S	*	2/1991	Hardin	.....	D9/435
D318,427	S	*	7/1991	Sherburne, Jr.	.....	D9/436

*Primary Examiner* — Robert M Spear

*Assistant Examiner* — Marissa J Cash

(74) *Attorney, Agent, or Firm* — Frank D Lachenmaier

(57) **CLAIM**

The ornamental design for a mister water cap, as shown and described.

**DESCRIPTION**

FIG. 1 is a top view of a mister water cap.

FIG. 2 is a front view thereof.

FIG. 3 is a bottom view thereof.

FIG. 4 is a right side view thereof.

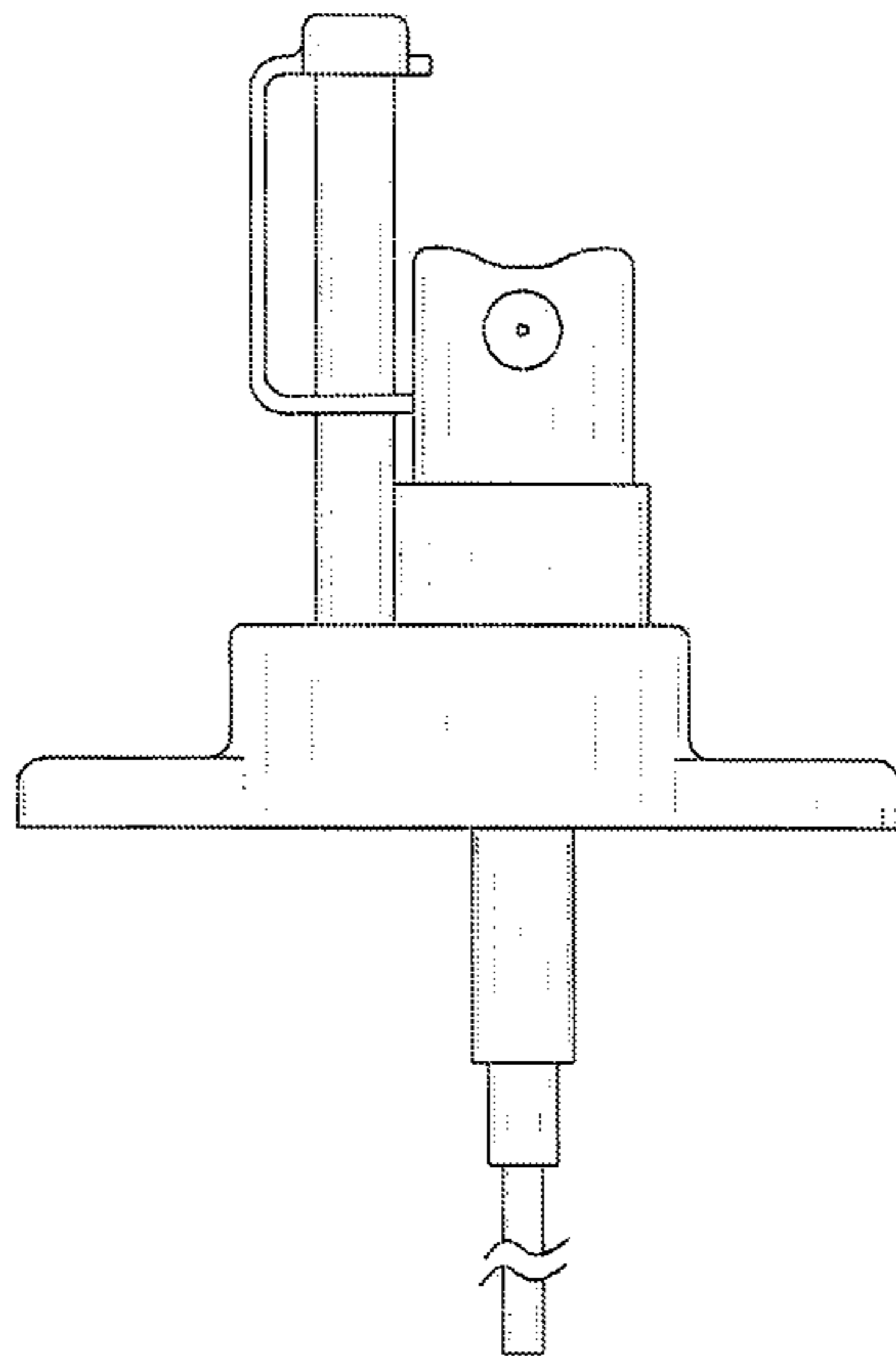
FIG. 5 is a left side view thereof; and,

FIG. 6 is a top perspective view thereof.

The broken lines in the drawings represent unclaimed environmental subject matter and form no part of the claim.

The straw portion of the mister water cap has the length shown in FIG. 6. The straw is shown with break lines in FIGS. 2, 4 and 5 to fit the assembly onto the drawing sheet.

**1 Claim, 3 Drawing Sheets**



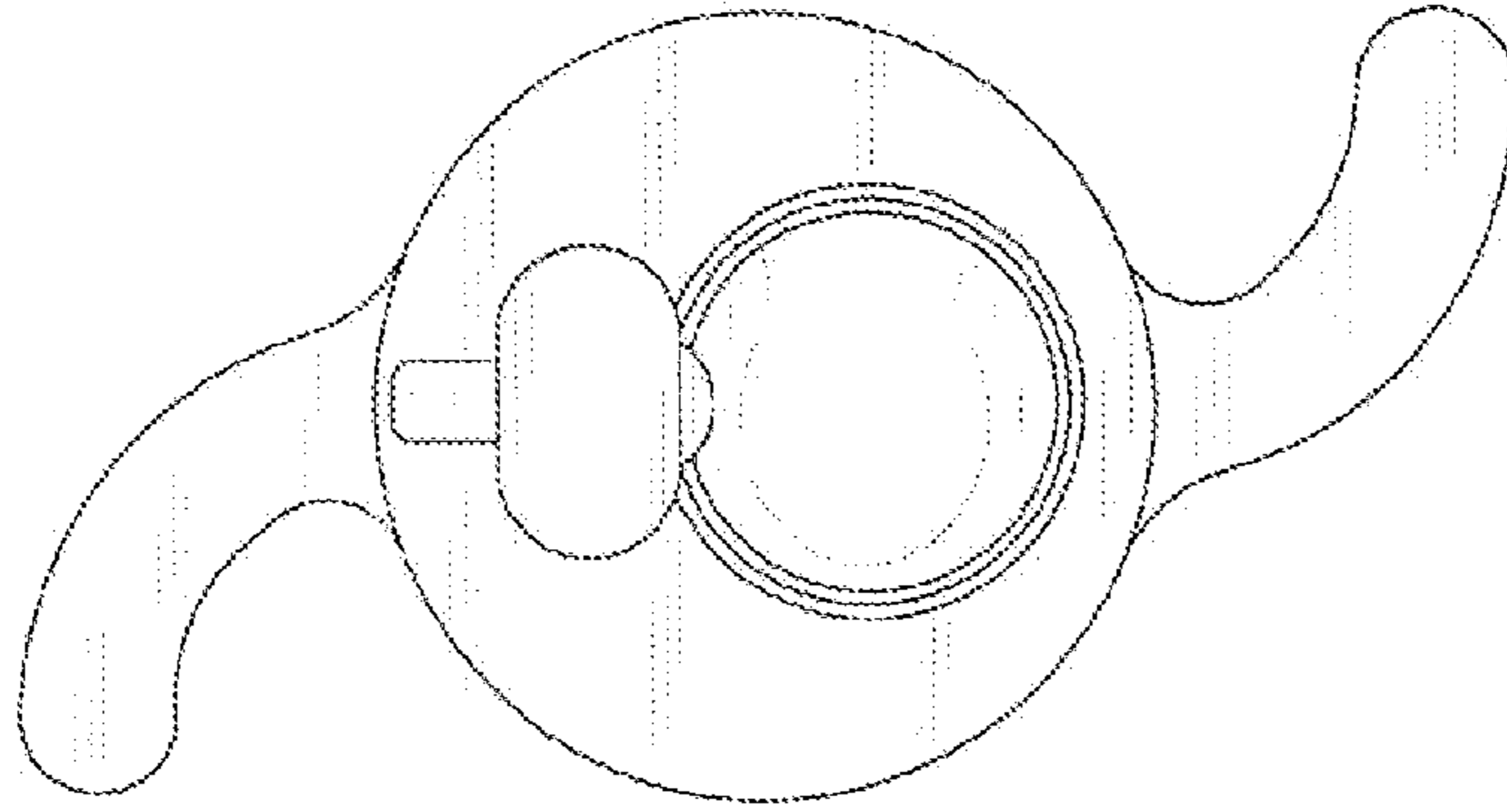


FIG. 1

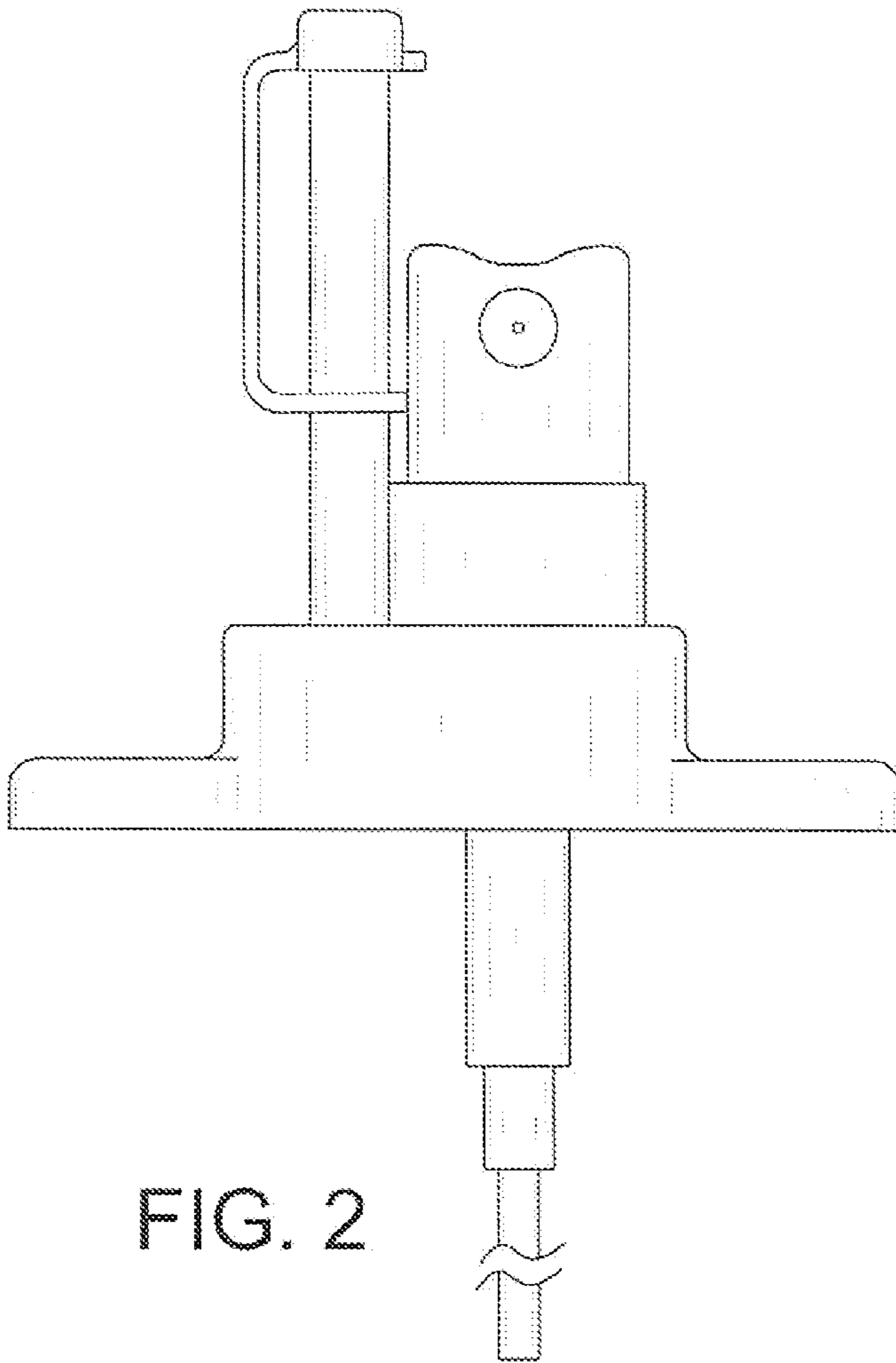


FIG. 2

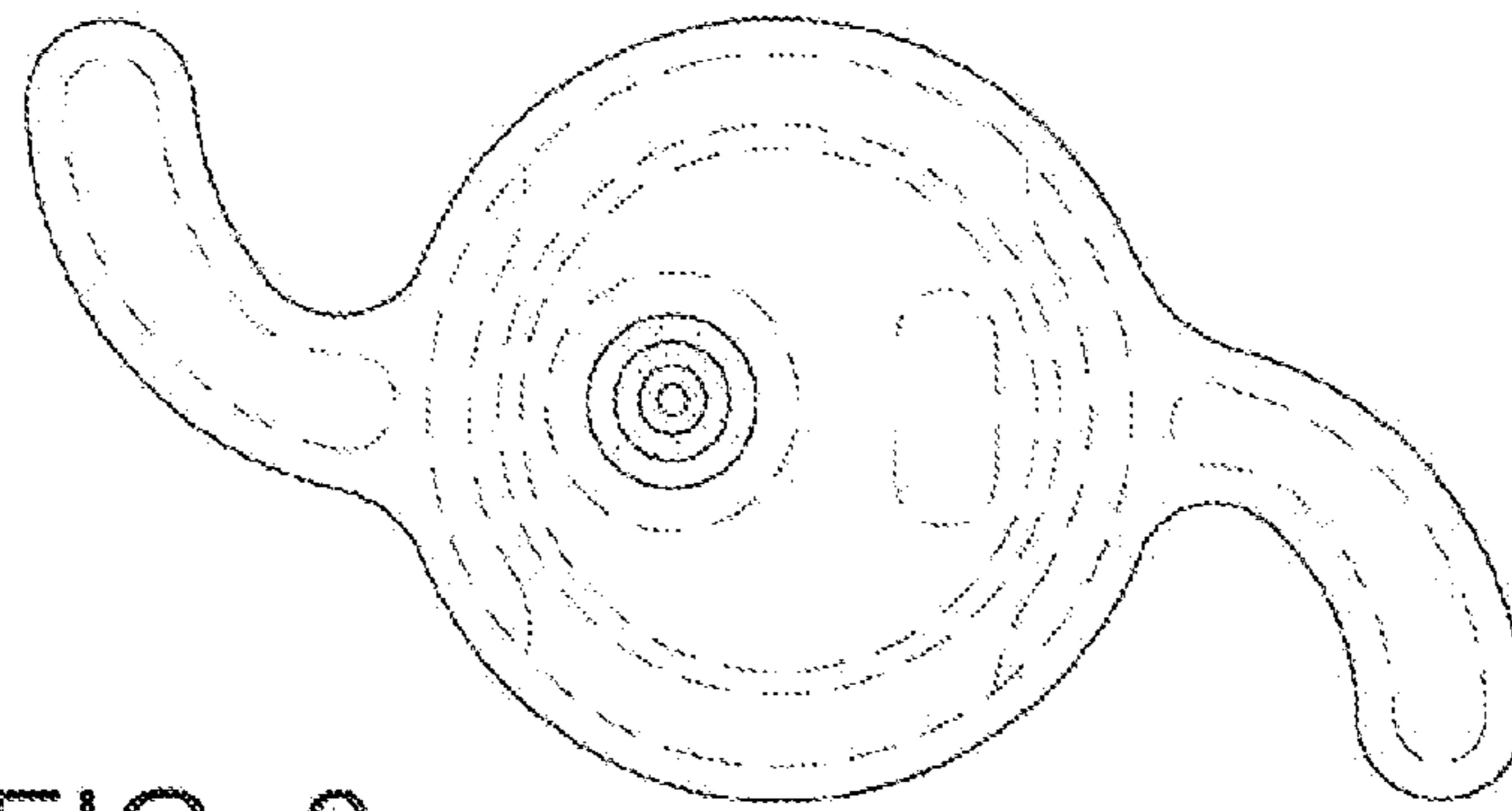


FIG. 3

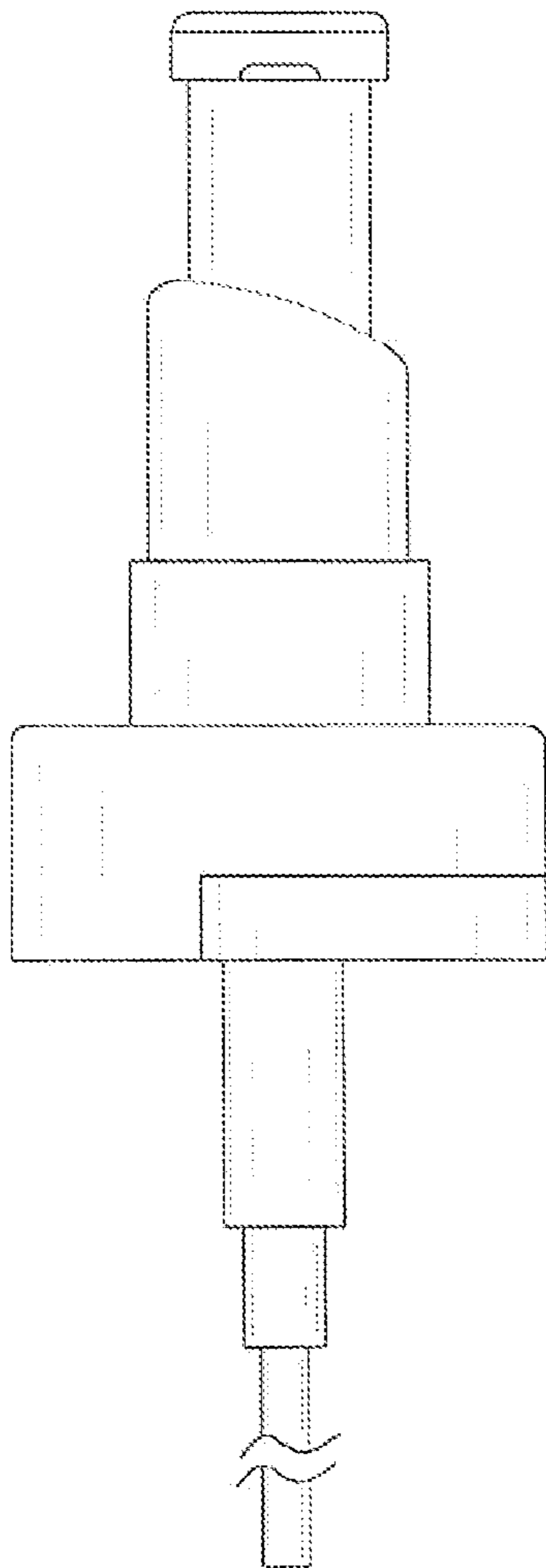


FIG. 4

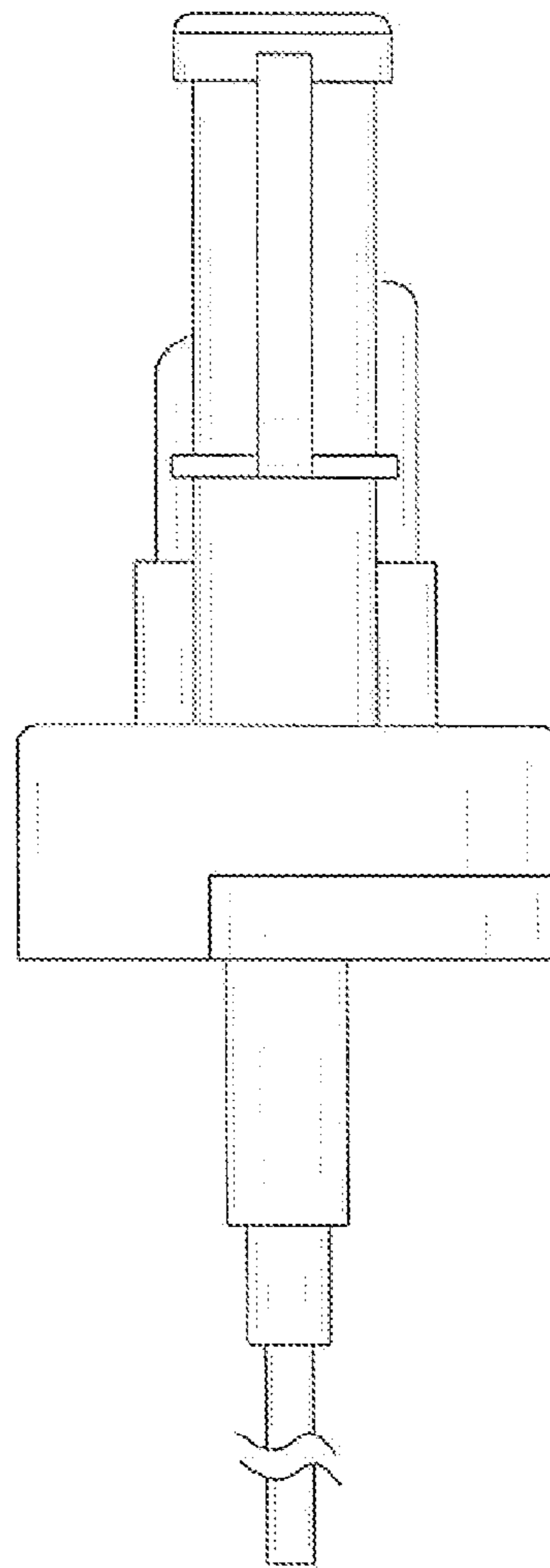


FIG. 5

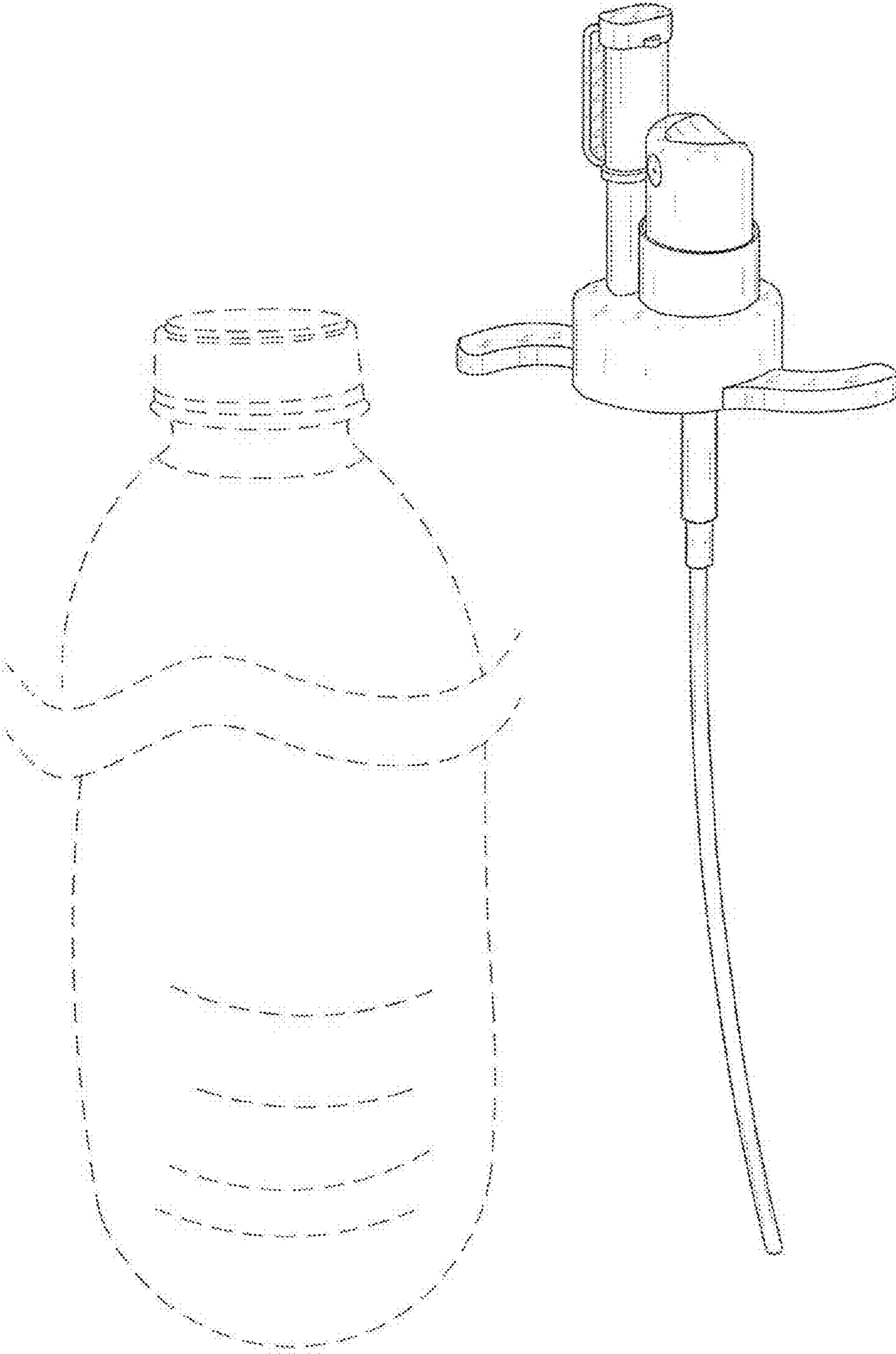


FIG. 6