



US00D741711S

(12) **United States Design Patent**
D'Amato

(10) **Patent No.:** **US D741,711 S**

(45) **Date of Patent:** **** Oct. 27, 2015**

(54) **PINCH AND PUSH LID**

(71) Applicant: **SEDA S.P.A.**, Arzano Napoli (IT)

(72) Inventor: **Gianfranco D'Amato**, Arzano Napoli (IT)

(73) Assignee: **Seda S.P.A.**, Arzano Napoli (IT)

(**) Term: **14 Years**

(21) Appl. No.: **29/475,323**

(22) Filed: **Dec. 2, 2013**

(51) **LOC (10) Cl.** **09-07**

(52) **U.S. Cl.**
USPC **D9/447**

(58) **Field of Classification Search**

USPC D6/452-545; D7/300, 321, 392.1, D7/396.2, 500, 507, 509, 510, 511, 900; D9/434-448, 452-455, 682, 685, 694; 215/200, 235, 236, 252, 254, 329, 215/355-364; 220/203.04-203.07, 220, 220/254.1, 254.4, 556, 703, 704, 705

See application file for complete search history.

(56) **References Cited**

U.S. PATENT DOCUMENTS

D533,777	S	*	12/2006	Hundley et al.	D9/447
D533,778	S	*	12/2006	Hollis et al.	D9/447
D570,685	S	*	6/2008	Koenecke	D9/447
D592,952	S	*	5/2009	Hundley et al.	D9/447
8,474,643	B2	*	7/2013	Hundley et al.	220/254.3

* cited by examiner

Primary Examiner — Robert M Spear

Assistant Examiner — Marissa J Cash

(74) *Attorney, Agent, or Firm* — Fish & Richardson P.C.

(57) **CLAIM**

The ornamental design for a pinch & push lid, as shown and described.

DESCRIPTION

FIG. 1 is a top plan view of the first embodiment of a pinch & push lid.

FIG. 2 is a bottom plan view thereof.

FIG. 3 is a front elevational view thereof.

FIG. 4 is a top right rear perspective view shown in an environment of use;

FIG. 5 is a left side elevational view thereof.

FIG. 6 is a rear elevational view thereof.

FIG. 7 is a right side elevational view thereof.

FIG. 8 is a top plan view of a second embodiment of a pinch & push lid.

FIG. 9 is a bottom plan view thereof.

FIG. 10 is a front elevational view thereof.

FIG. 11 is a top right rear perspective view shown in an environment of use.

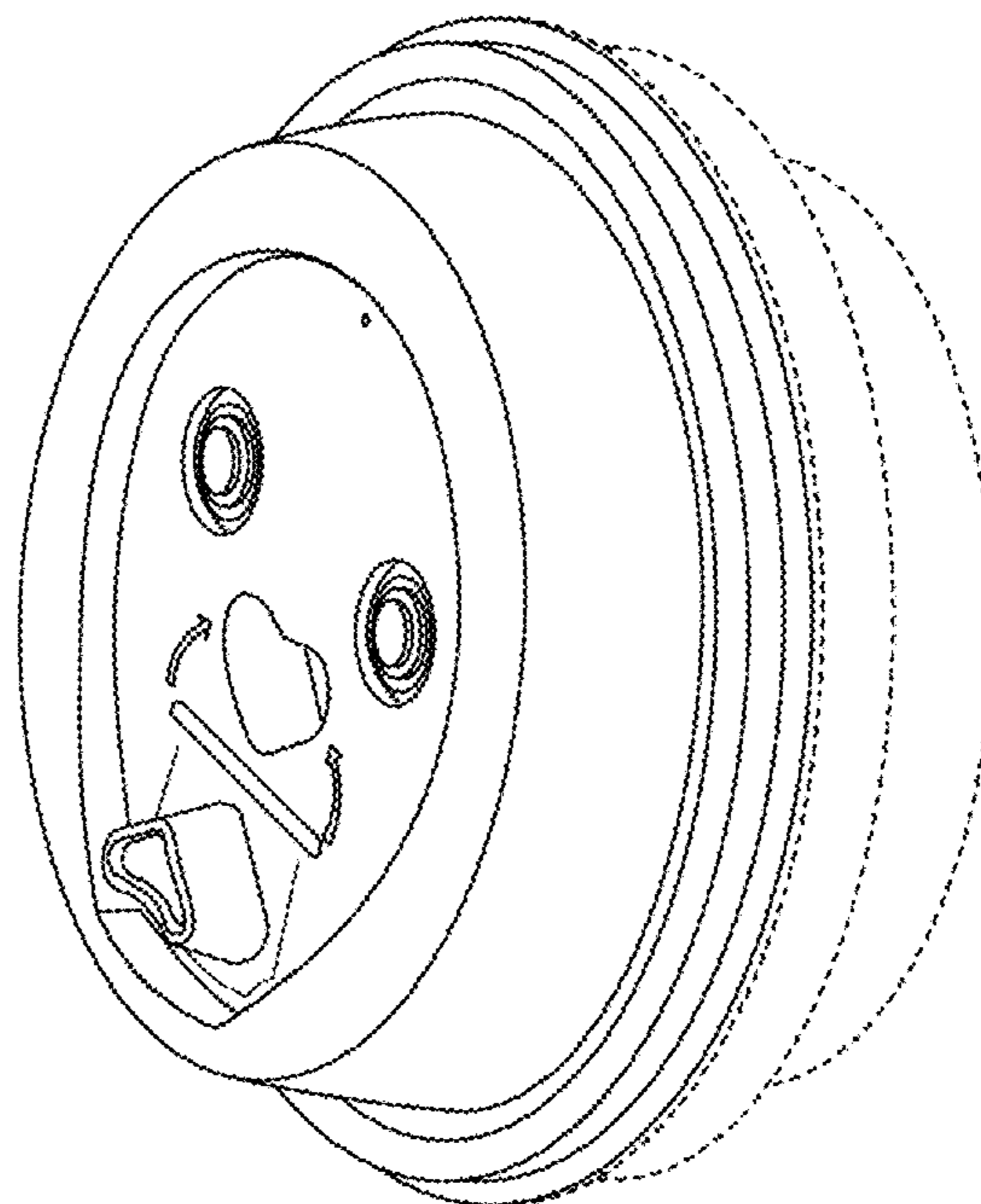
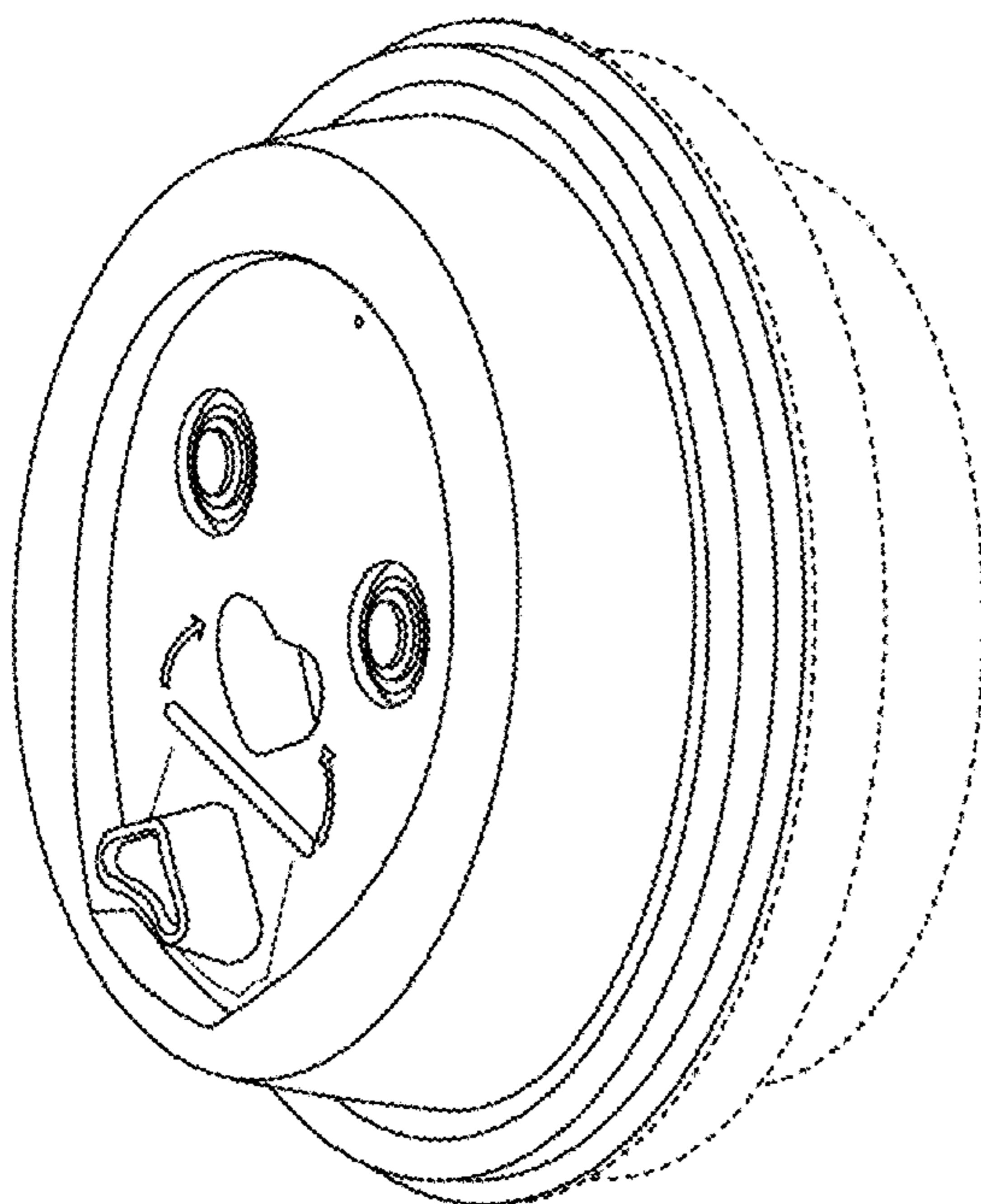
FIG. 12 is a left side elevational view thereof.

FIG. 13 is a rear elevational view thereof; and,

FIG. 14 is a right side elevational view thereof.

The broken lines in the drawings represent unclaimed environmental subject matter and form no part of the claim.

1 Claim, 14 Drawing Sheets



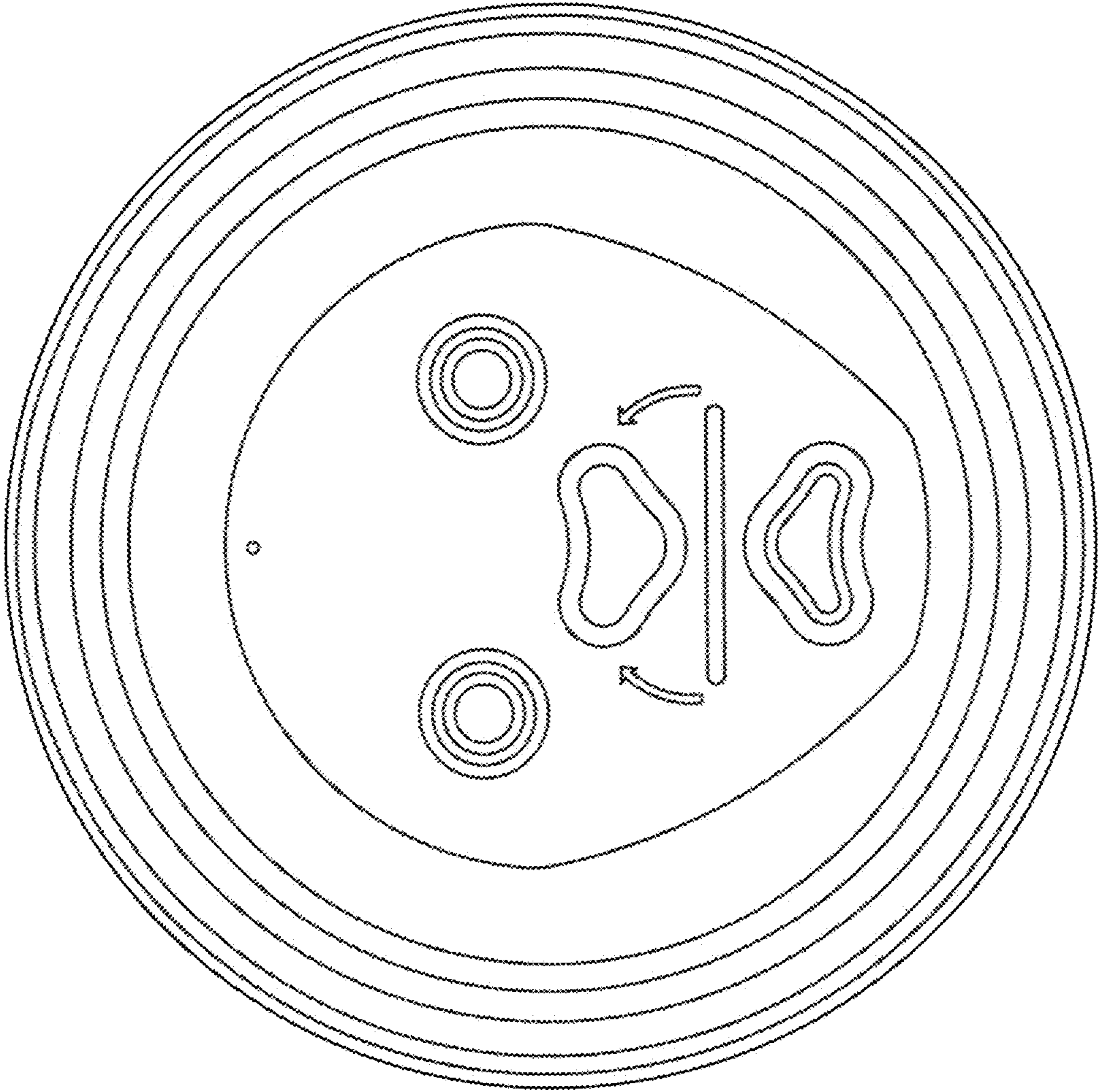


FIG. 1

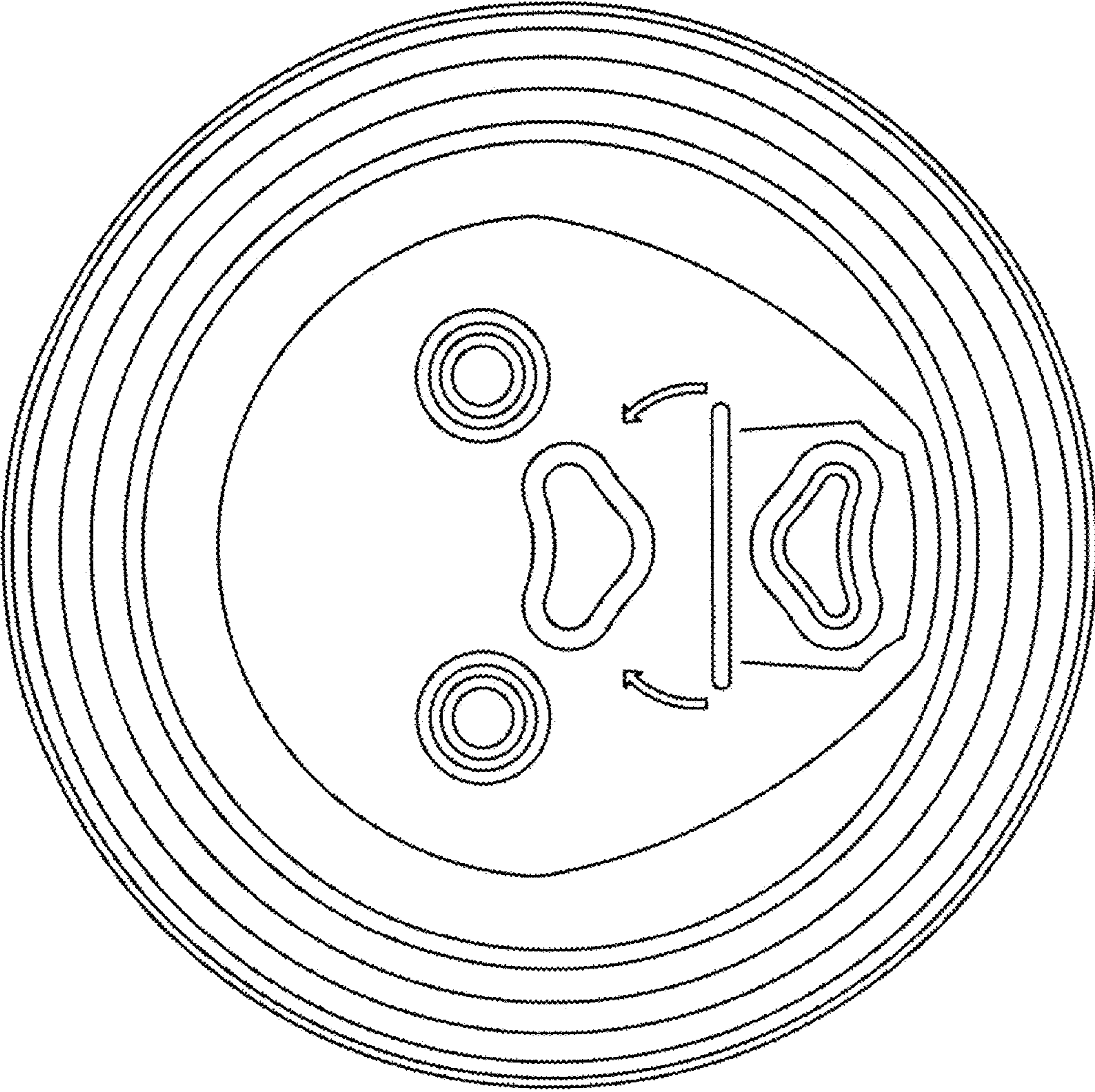


FIG. 2

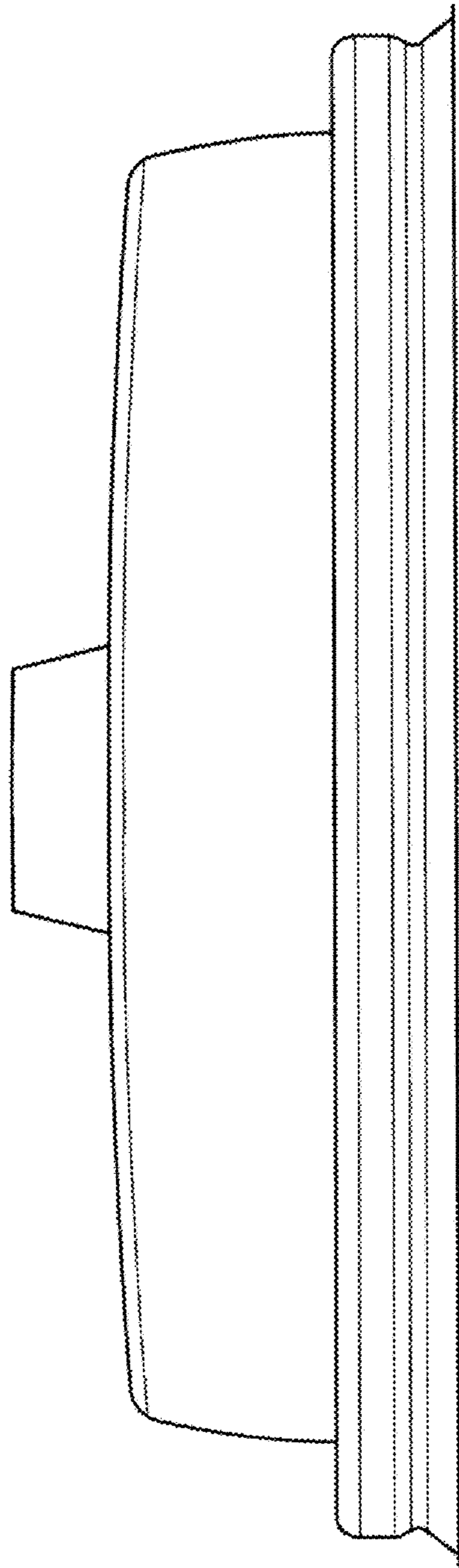


FIG. 3

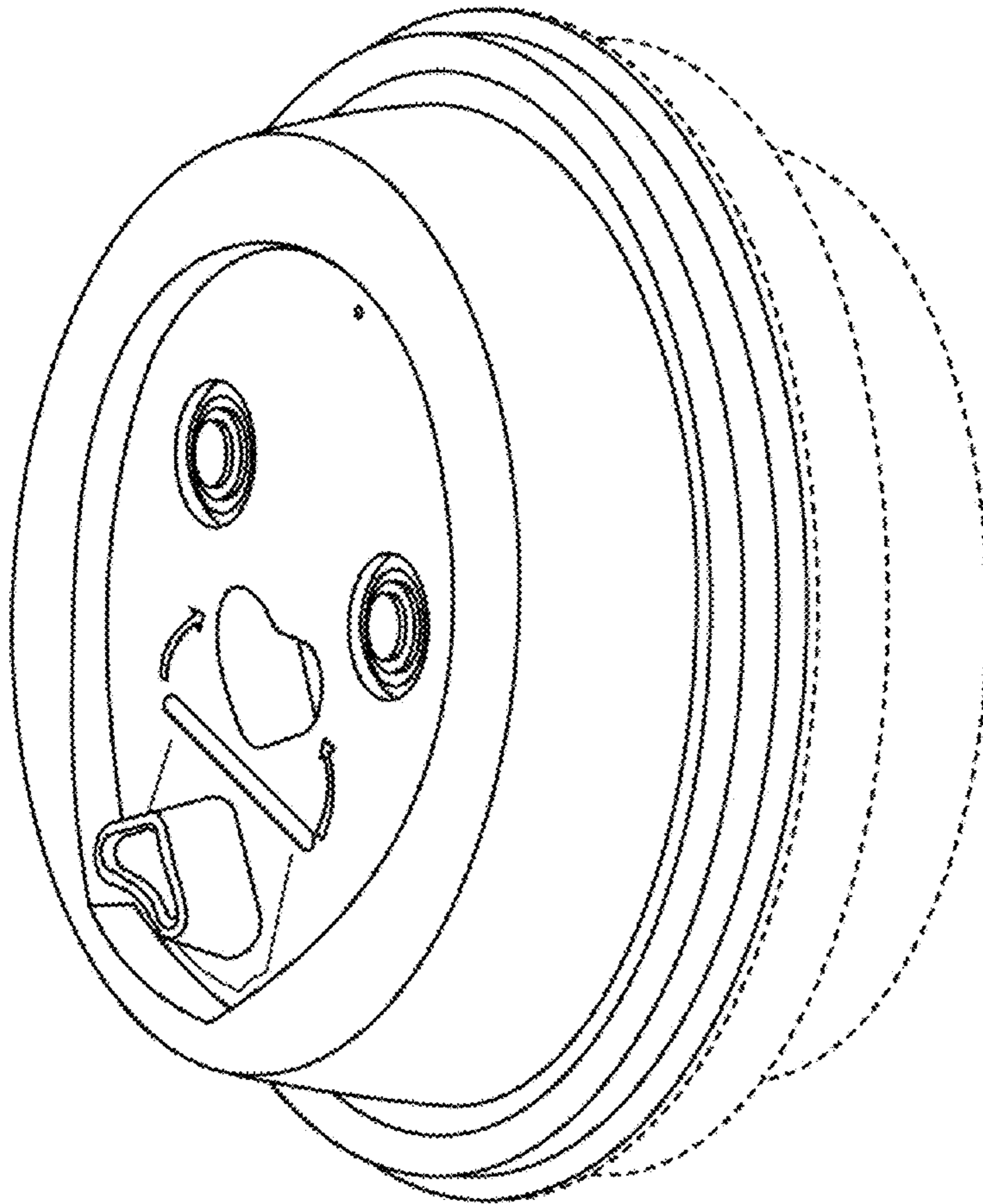


FIG. 4

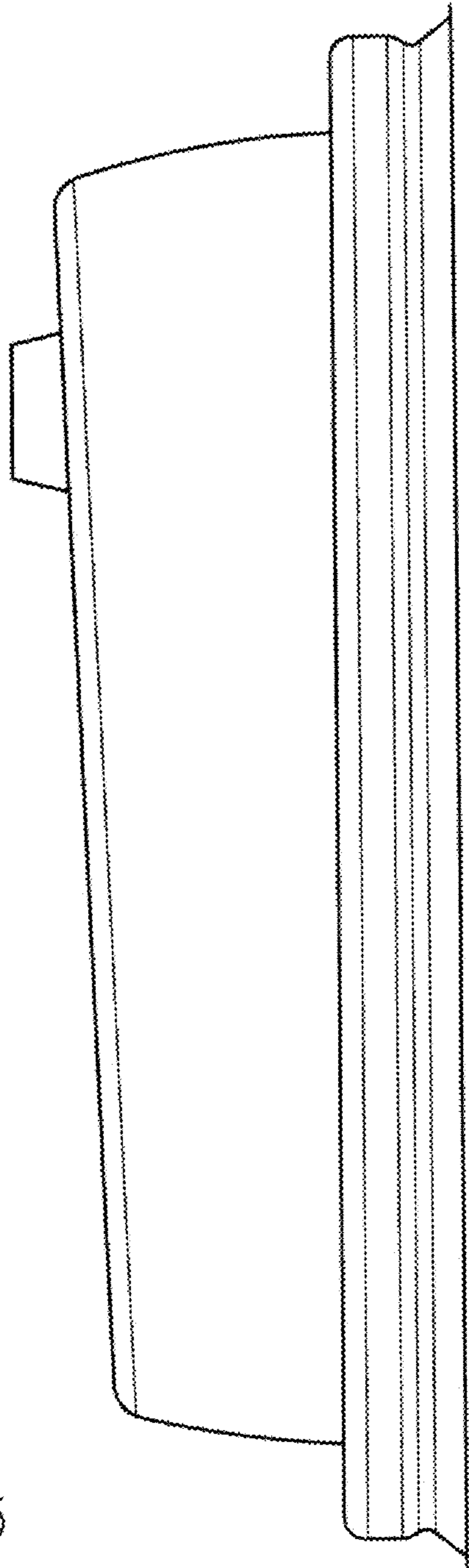


FIG. 5

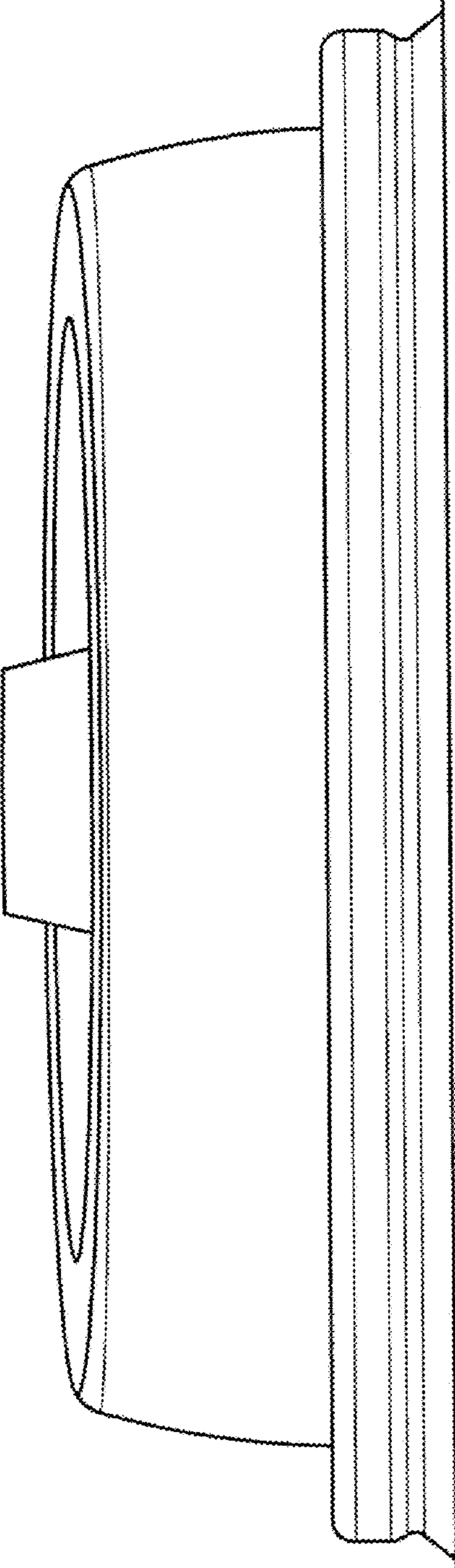


FIG. 6

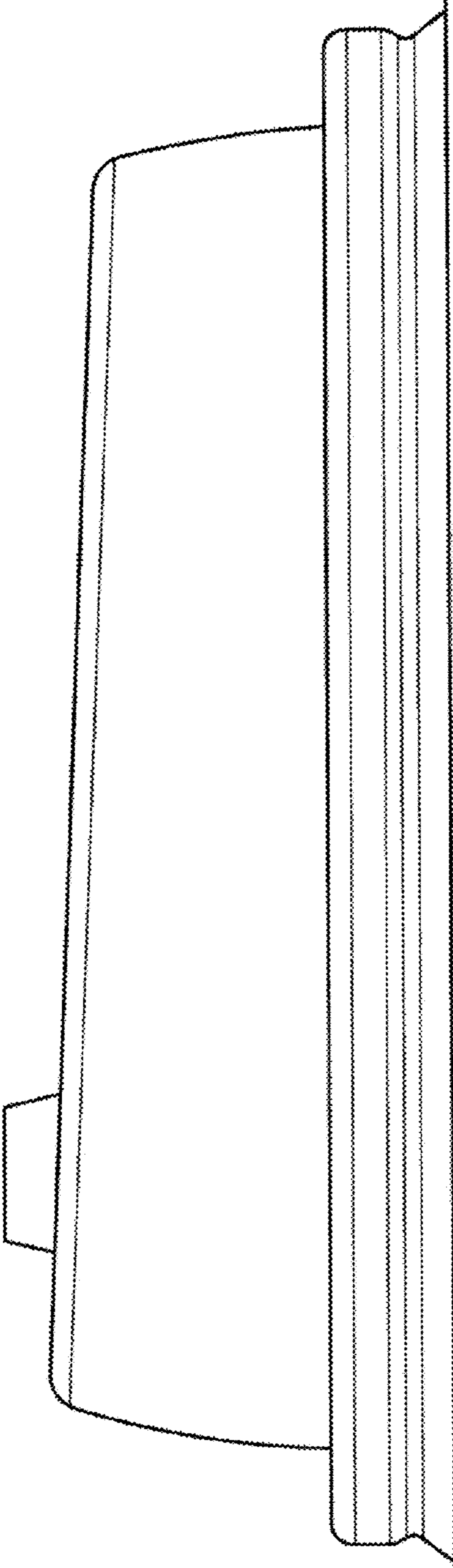


FIG. 7

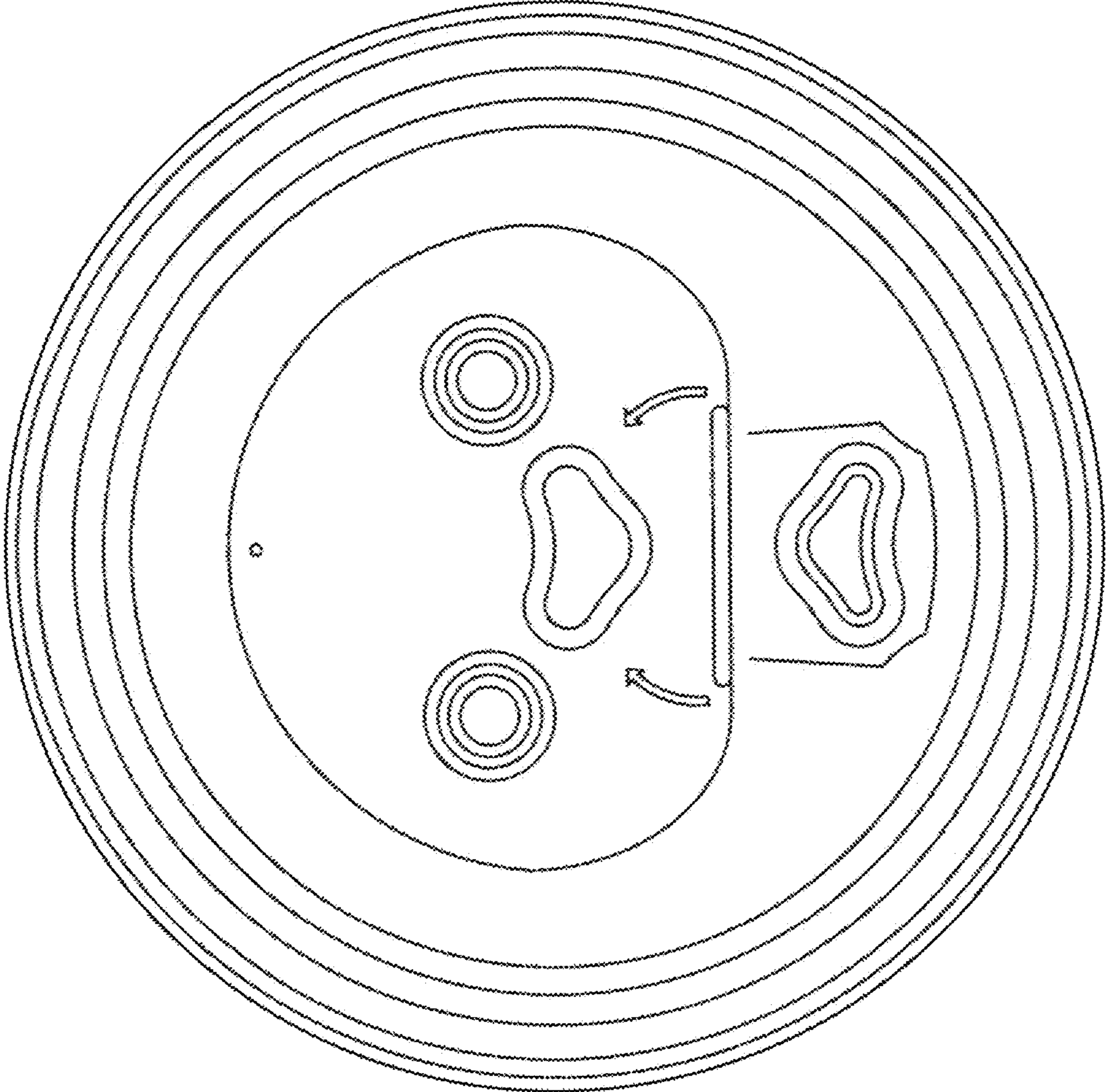


FIG. 8

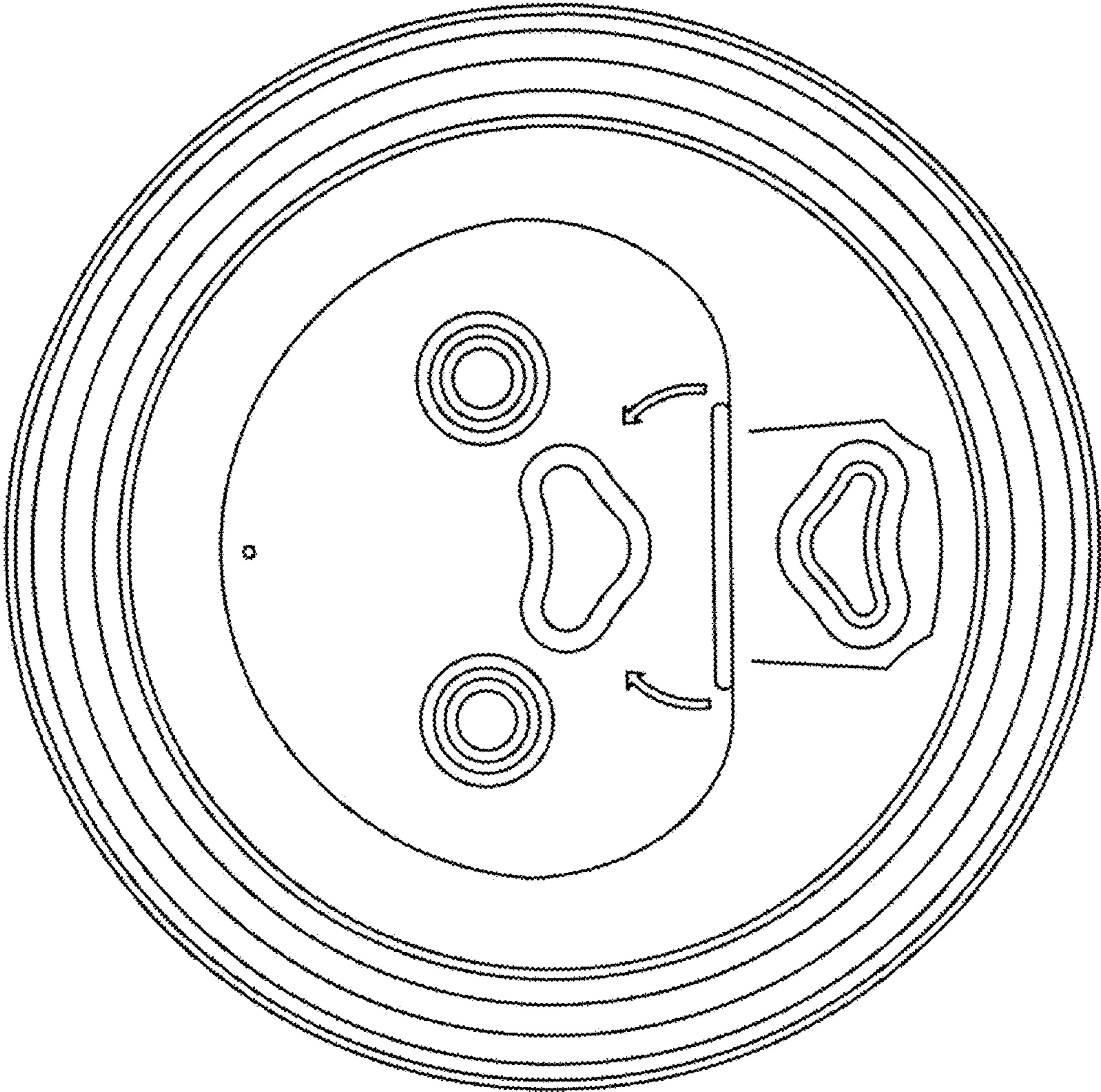


FIG. 9

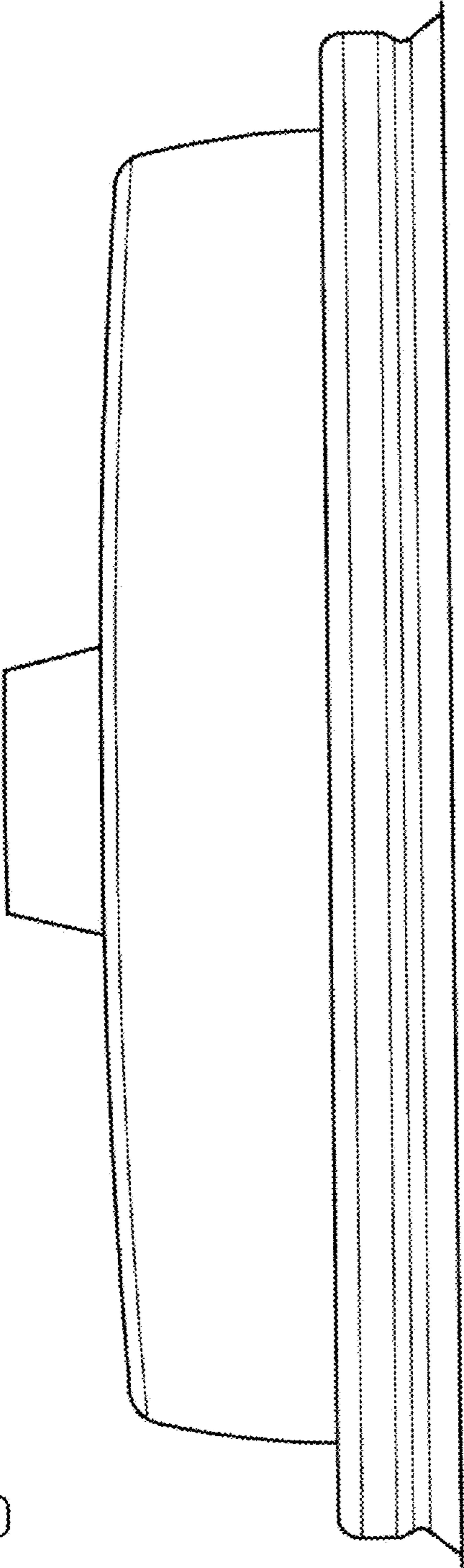


FIG. 10

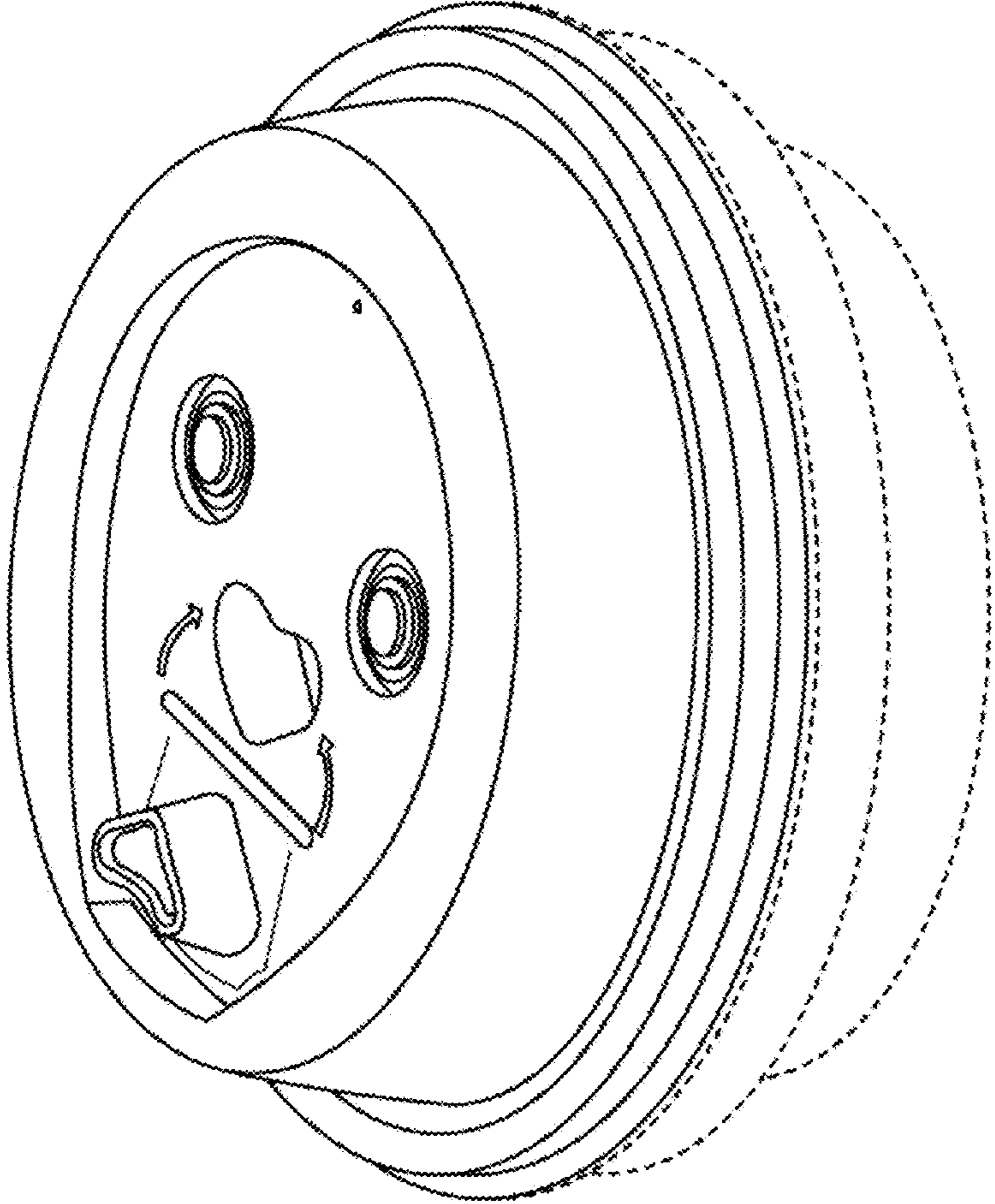


FIG. 11

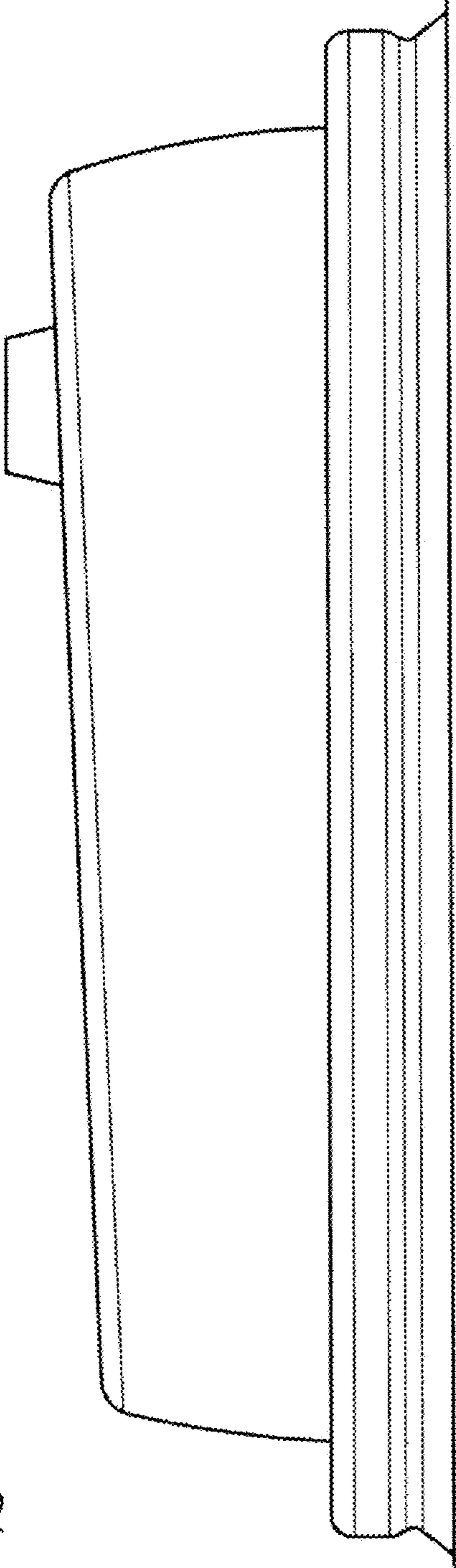


FIG. 12

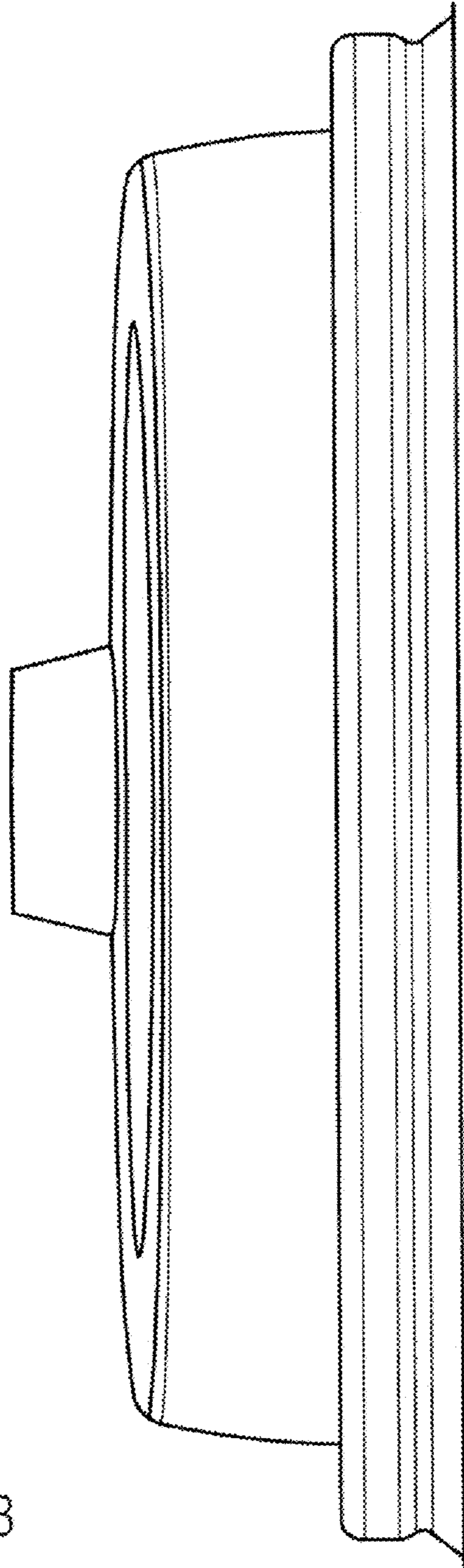


FIG. 13

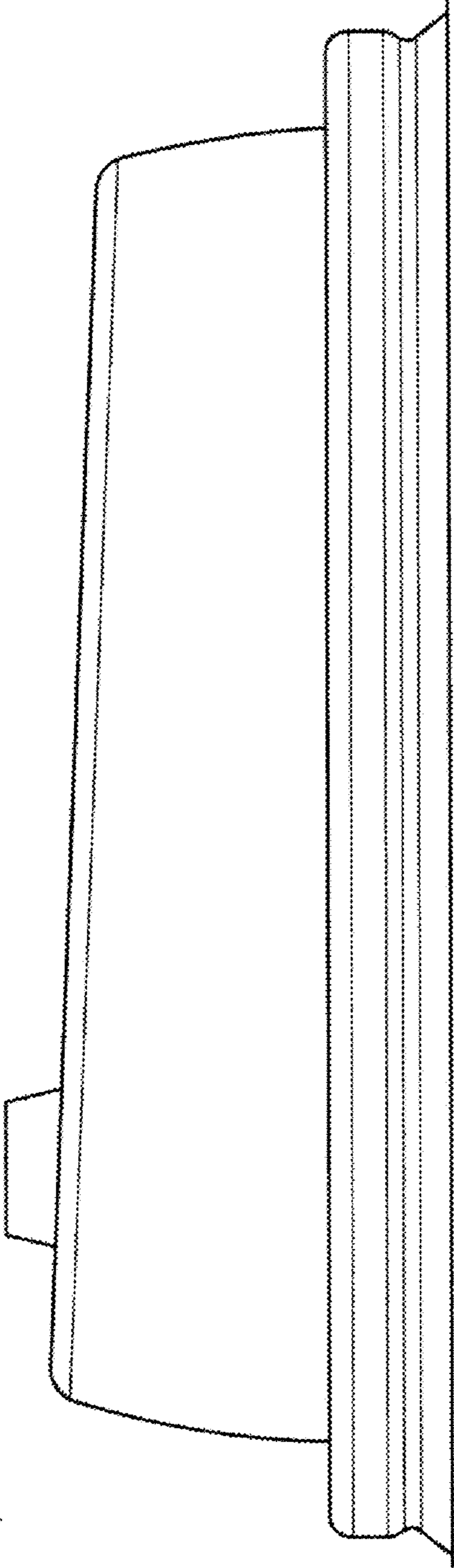


FIG. 14