



US00D741709S

(12) **United States Design Patent**
Sohler

(10) **Patent No.:** **US D741,709 S**

(45) **Date of Patent:** **** Oct. 27, 2015**

(54) **PACKAGING BOX**

(71) Applicant: **Wolfgang Sohler**, Wangen (DE)

(72) Inventor: **Wolfgang Sohler**, Wangen (DE)

(73) Assignee: **Rose Plastic AG** (DE)

(**) Term: **14 Years**

(21) Appl. No.: **29/484,949**

(22) Filed: **Mar. 14, 2014**

(30) **Foreign Application Priority Data**

Sep. 16, 2013 (DE) 002310268-0001

(51) **LOC (10) Cl.** **09-03**

(52) **U.S. Cl.**

USPC **D9/432**

(58) **Field of Classification Search**

USPC D9/414-434, 442-445, 456-457, 542,
D9/563, 600, 614-624, 655, 657, 658, 661,
D9/695, 697-699, 707-708, 711,
D9/772-776; D7/601, 602, 538, 540,
D7/550.1; D3/202, 203.5, 203.6, 205

CPC B65D 5/00; B65D 5/001; B65D 5/0015;
B65D 5/0227-5/0254; B65D 5/0045; B65D
5/18; B65D 5/2033; B65D 5/38; B65D 5/40;
B65D 1/22; B65D 1/225; B65D 1/24; B65D
1/34; B65D 1/38

See application file for complete search history.

(56) **References Cited**

U.S. PATENT DOCUMENTS

D135,618	S	*	5/1943	McIntosh	D9/414
D259,922	S	*	7/1981	Seki	D9/418
5,680,949	A	*	10/1997	Roesler	220/8
D394,208	S	*	5/1998	Rutledge	D9/417
5,829,591	A	*	11/1998	Lyons	206/373
D471,102	S	*	3/2003	Gehring et al.	D9/432
D598,281	S	*	8/2009	Haimer	D9/424
D646,579	S	*	10/2011	Rahe	D9/560
D699,102	S	*	2/2014	Roesler	D9/418
D709,365	S	*	7/2014	Graindorge	D9/432
8,789,694	B2	*	7/2014	Roesler	206/349
D710,194	S	*	8/2014	Roesler	D9/432
D718,106	S	*	11/2014	Lauzet	D8/33

* cited by examiner

Primary Examiner — Susan Bennett Hattan

Assistant Examiner — Vy Koenig

(74) *Attorney, Agent, or Firm* — Cohen & Grigsby, PC

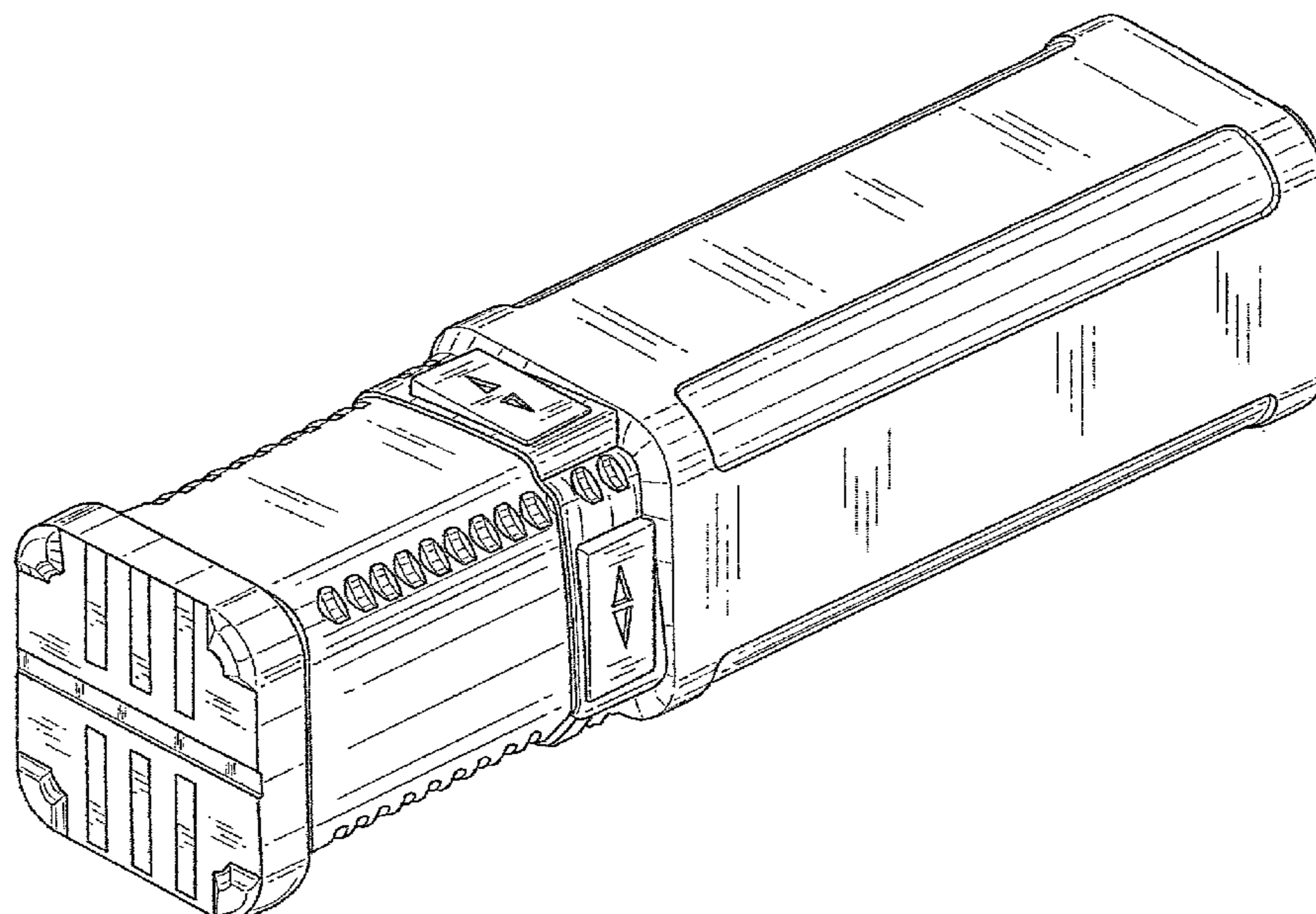
(57) **CLAIM**

The ornamental design for a packaging box, as shown and described.

DESCRIPTION

FIG. 1 is a front perspective view of the packaging box.
FIG. 2 is a rear perspective view of the packaging box.
FIG. 3 is a top view of the packaging box.
FIG. 4 is a bottom view of the packaging box.
FIG. 5 is a right side elevation view of the packaging box.
FIG. 6 is a top side elevation view of the packaging box.
FIG. 7 is a left side elevation view of the packaging box; and,
FIG. 8 is a bottom side elevation view of the packaging box.

1 Claim, 7 Drawing Sheets



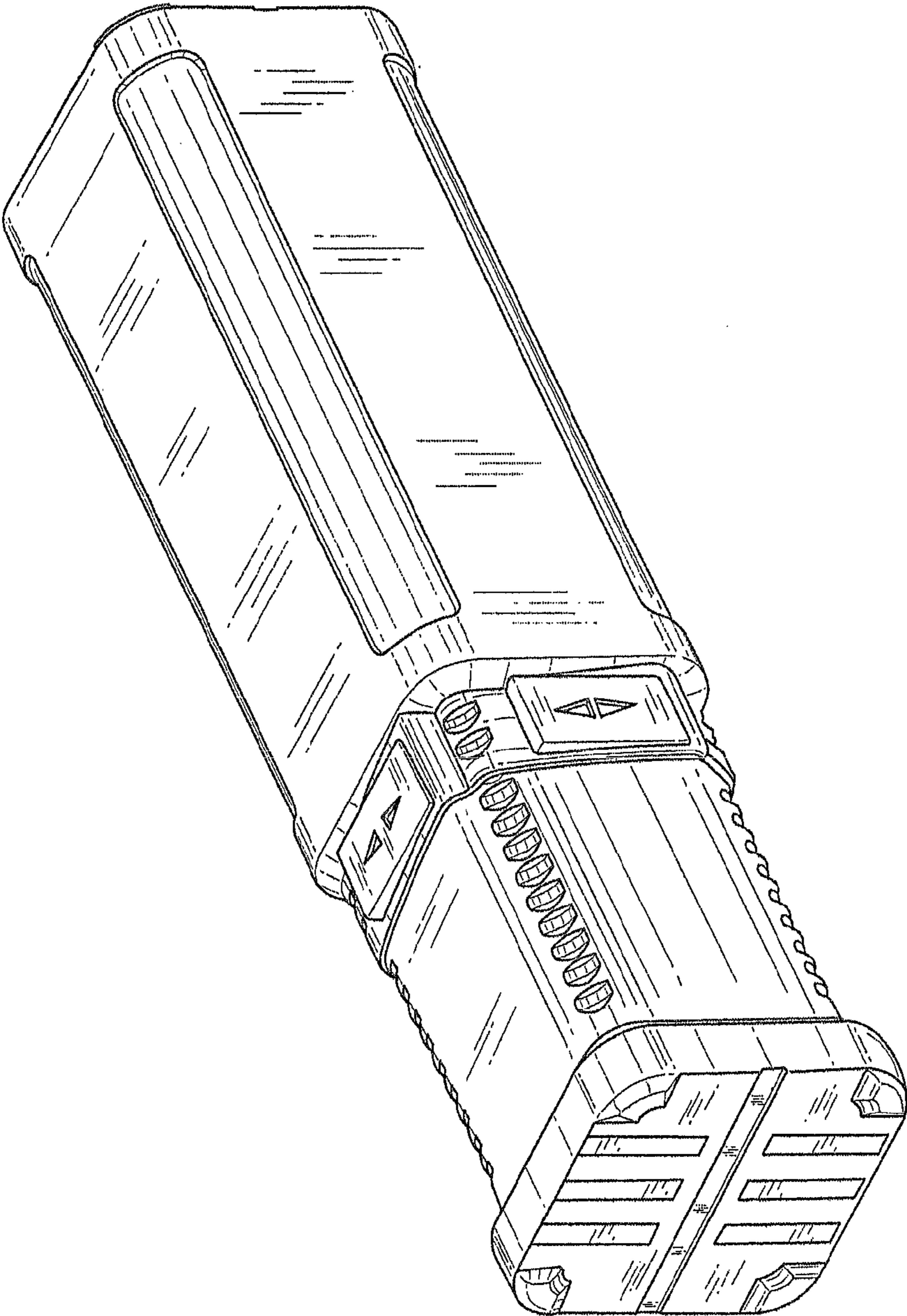


FIG. 1

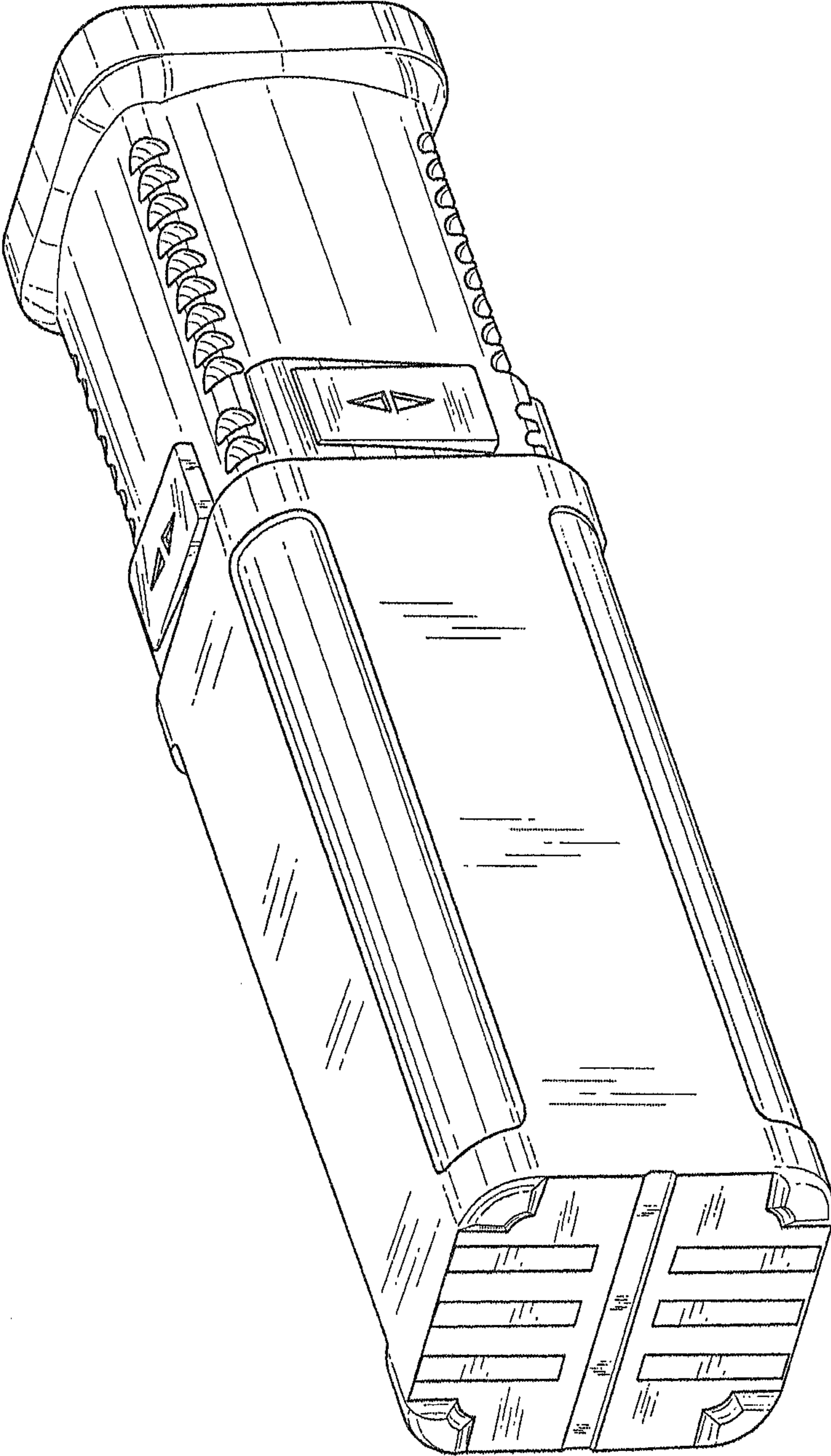


FIG. 2

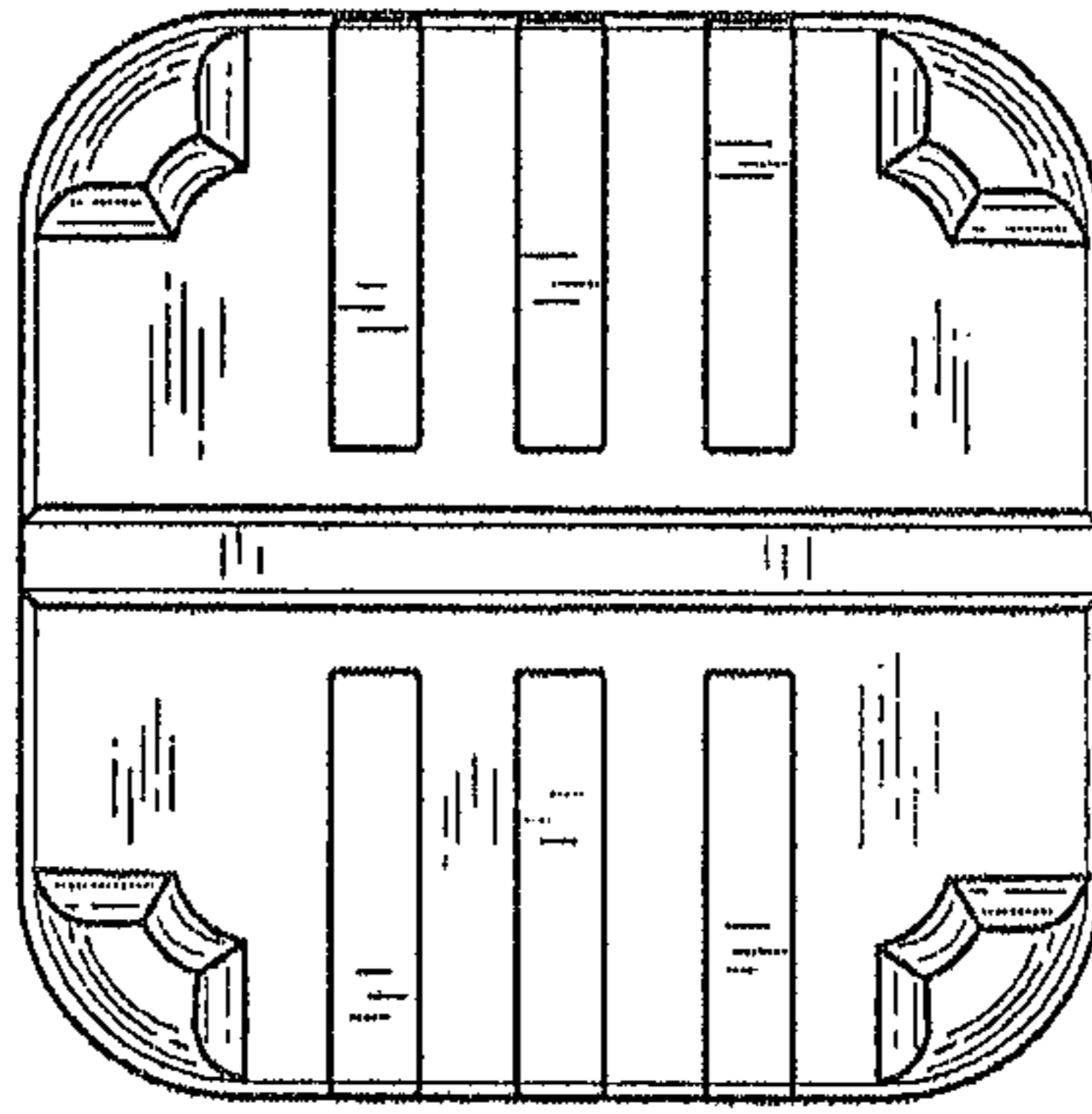


FIG. 4

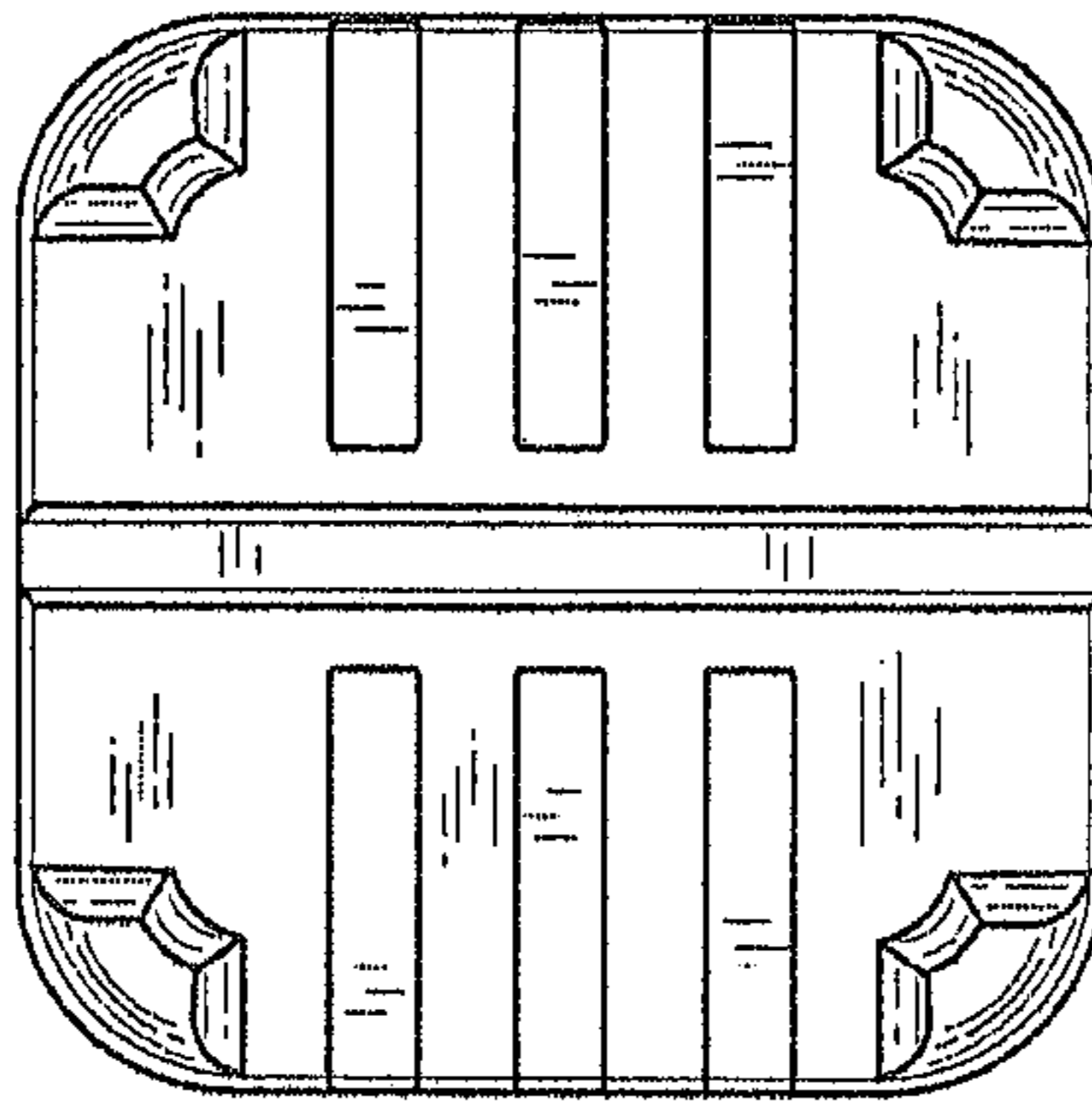


FIG. 3

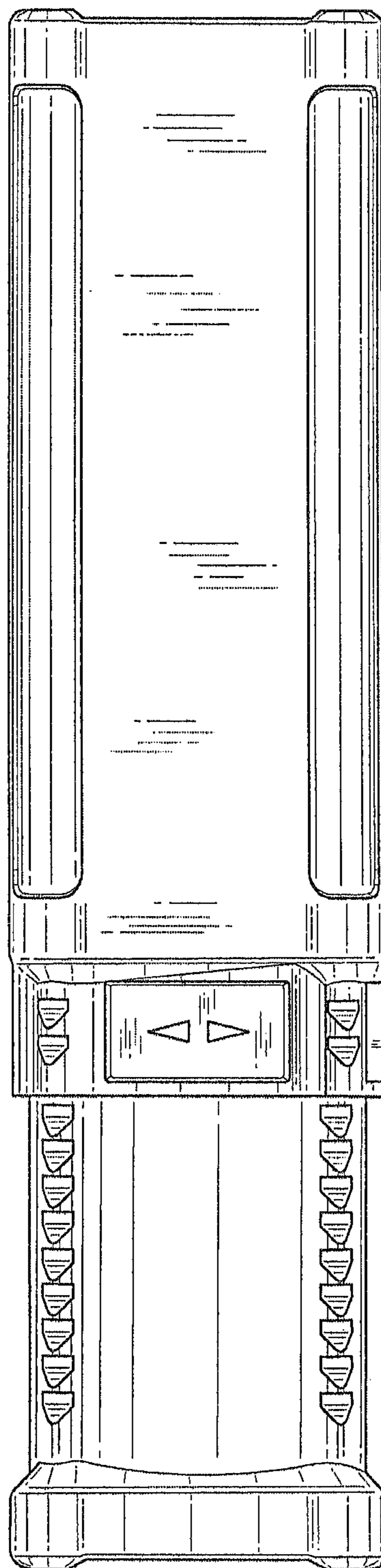


FIG. 5

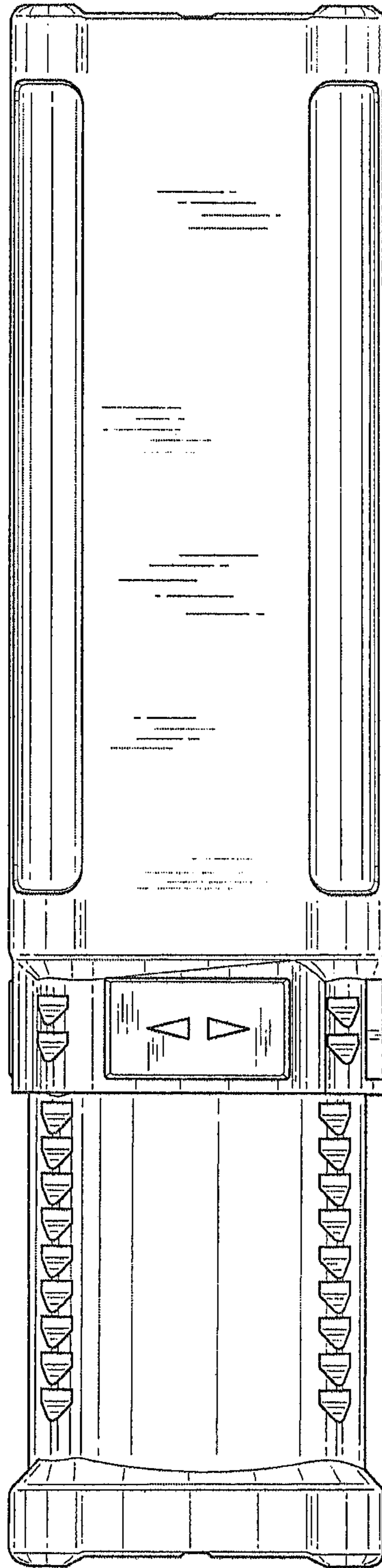


FIG. 6

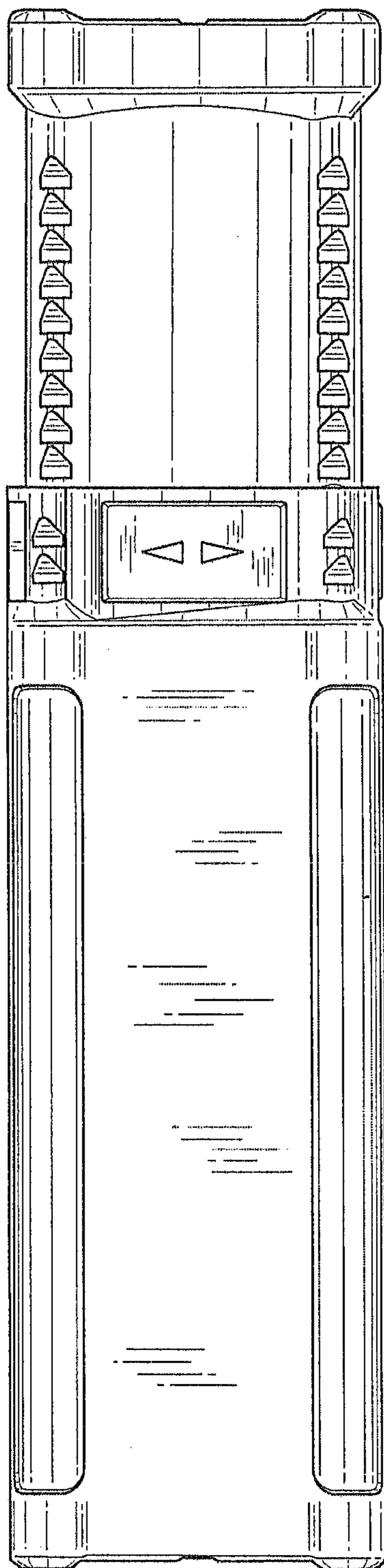


FIG. 7

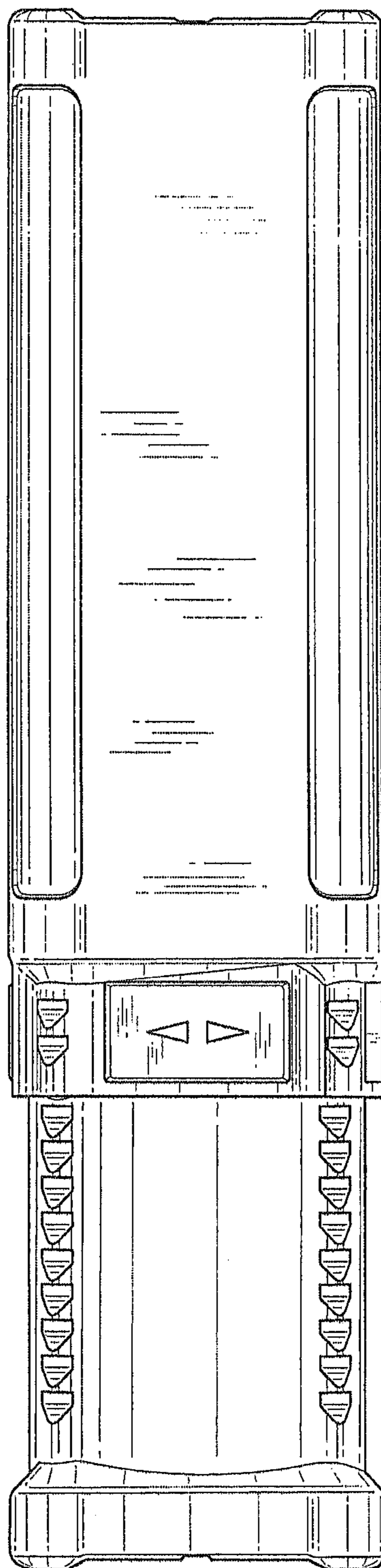


FIG. 8