



US00D741706S

(12) **United States Design Patent**  
**Astorga et al.**

(10) **Patent No.:** **US D741,706 S**  
(45) **Date of Patent:** **\*\* Oct. 27, 2015**

(54) **CONTAINER**

(71) Applicant: **Peninsula Packaging Company, LLC**,  
Exeter, CA (US)

(72) Inventors: **Ricardo Astorga**, Whittier, CA (US);  
**Stephen Day**, Hollister, CA (US)

(73) Assignee: **Peninsula Packaging Company, LLC**,  
Exeter, CA (US)

(\*\*) Term: **14 Years**

(21) Appl. No.: **29/516,552**

(22) Filed: **Feb. 3, 2015**

(51) **LOC (10) Cl.** ..... **09-03**

(52) **U.S. Cl.**  
USPC ..... **D9/425**

(58) **Field of Classification Search**  
USPC ..... D9/414, 415, 416, 417, 418, 419, 420,  
D9/421, 422, 423, 424, 425, 426, 427, 428,  
D9/429, 431, 432, 433; D7/619.1, 629;  
229/401, 406, 407, 904, 906, 909;  
220/656, 657, 659, 662, 665, 669-675,  
220/912, 915.1, 4.21-4.25; 206/139, 214,  
206/217, 431, 528, 530, 538, 541, 553, 557  
CPC ..... A47G 21/14; A47J 47/14; B65D 1/22;  
B65D 1/34; B65D 1/36; B65D 1/40; B65D  
1/46; B65D 21/083; B65D 21/0234; B65D  
43/162; B65D 77/245; B65D 2543/00092;  
B65D 2543/00101; B65D 2543/00296; B65D  
3/28; B65D 5/4204; B65D 7/46; B65D 85/12;  
B65D 85/34; B21D 51/2646; A45C 11/20

See application file for complete search history.

(56) **References Cited**

U.S. PATENT DOCUMENTS

2,939,603 A	6/1960	Young	
3,331,529 A *	7/1967	Slapnik .....	B65D 21/0213 206/508
3,351,227 A	11/1967	Collie	
3,351,270 A	11/1967	Hohnjec	
3,356,277 A	12/1967	Hohnjec	
3,396,867 A	8/1968	Garriga	
3,412,889 A	11/1968	Eicholtz et al.	
3,416,690 A	12/1968	Michael	
3,421,682 A	1/1969	Eisenbach	
3,655,110 A	4/1972	Eisenbach	
3,786,982 A	1/1974	Rakes et al.	
3,933,296 A	1/1976	Ruskin et al.	
D272,595 S	2/1984	Chase et al.	
4,494,650 A	1/1985	Cullen	
4,512,474 A	4/1985	Harding	
4,576,330 A	3/1986	Schepp	

(Continued)

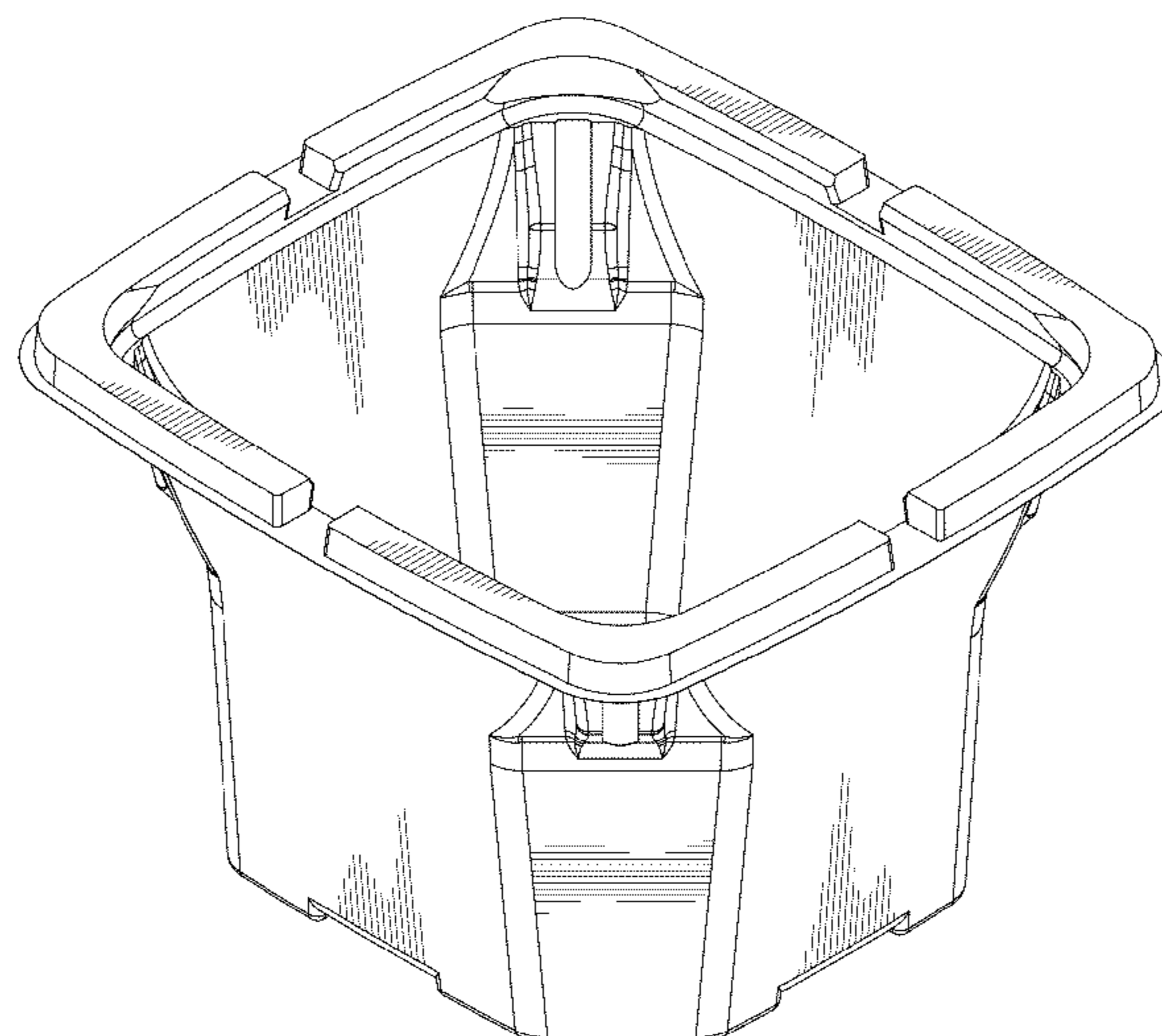
*Primary Examiner* — Karen S Acker  
*Assistant Examiner* — Wendy Arminio  
(74) *Attorney, Agent, or Firm* — Loza & Loza LLP; Heidi L. Eisenhut

(57) **CLAIM**  
The ornamental design for a container, as shown and described.

**DESCRIPTION**

FIG. 1 is a front top left side perspective view of a container of the present invention;  
FIG. 2 is a bottom rear right side perspective view of the container of FIG. 1;  
FIG. 3 is a front elevation view of the container of FIG. 1;  
FIG. 4 is a rear elevation view of the container of FIG. 1;  
FIG. 5 is a right side elevation view of the container of FIG. 1;  
FIG. 6 is a left side elevation view of the container of FIG. 1;  
FIG. 7 is a top plan view of the container of FIG. 1; and,  
FIG. 8 is a bottom plan view of the container of FIG. 1.

**1 Claim, 6 Drawing Sheets**



(56)

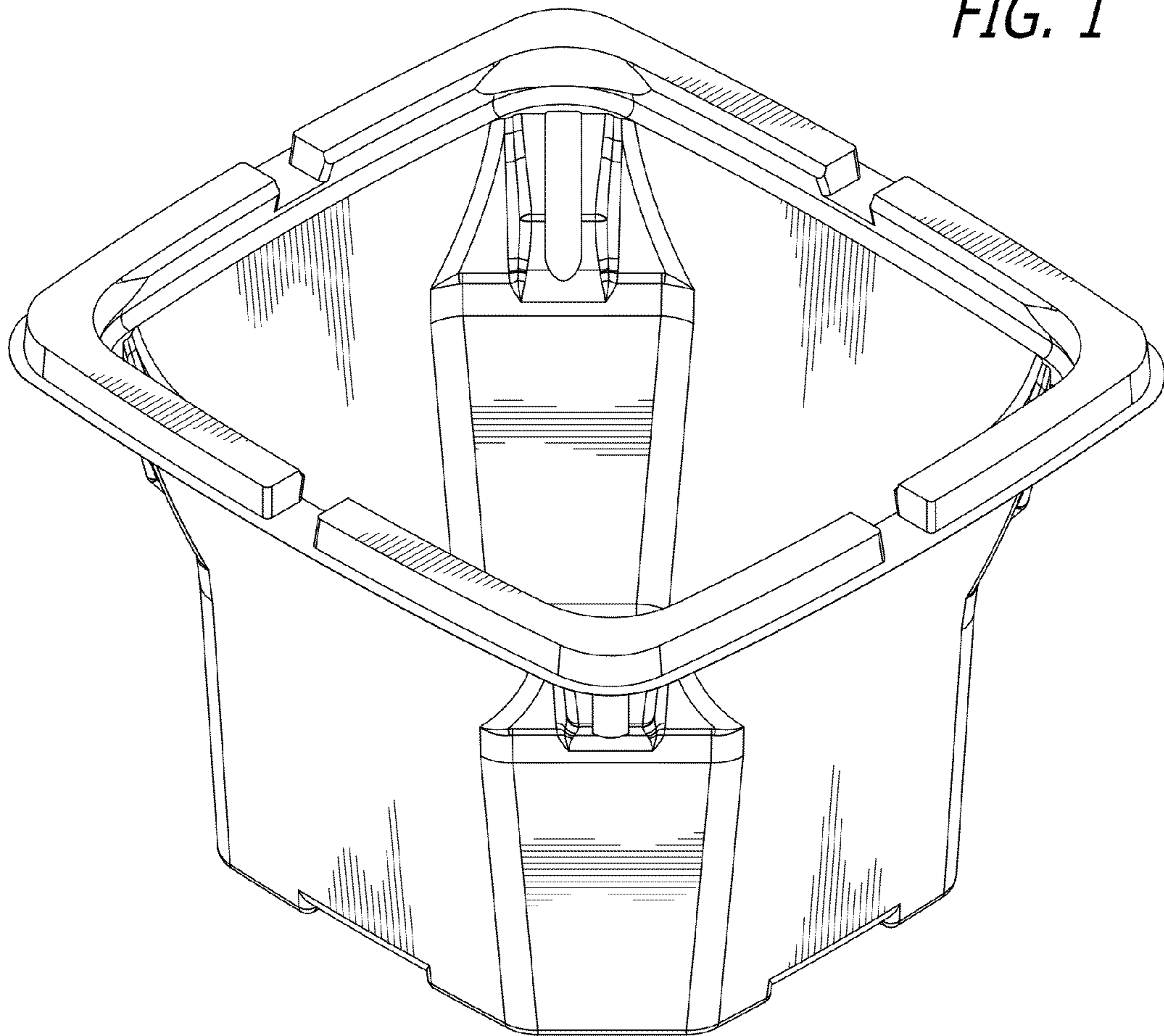
References Cited

U.S. PATENT DOCUMENTS

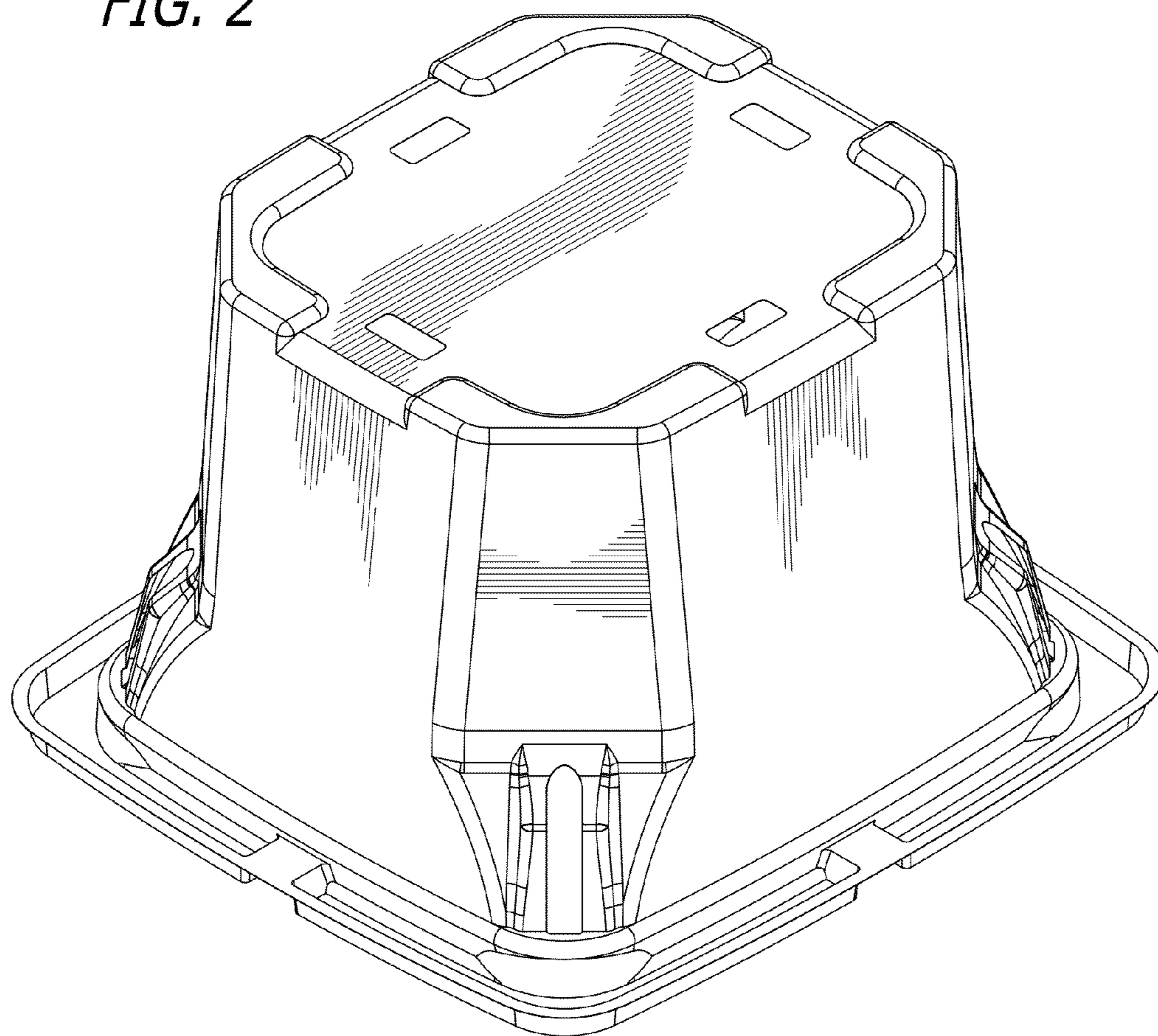
4,593,816 A	6/1986	Langenbeck			
4,886,204 A	12/1989	Kalmanides			
4,892,220 A	1/1990	Foos			
5,012,928 A	5/1991	Proffitt et al.			
D318,420 S	7/1991	Amelse			
5,031,774 A	7/1991	Morris et al.			
5,046,659 A	9/1991	Warburton			
5,071,026 A	12/1991	Apps			
5,092,479 A	3/1992	Wells			
5,156,267 A	10/1992	Yates, Jr. et al.			
5,169,014 A	12/1992	Hexamer			
D343,576 S	1/1994	Krupa			
5,377,860 A	1/1995	Littlejohn et al.			
D361,035 S	8/1995	Krupa			
D361,036 S	8/1995	Krupa			
5,456,379 A	10/1995	Krupa et al.			
D363,879 S	11/1995	Krupa et al.			
5,497,894 A	3/1996	Krupa et al.			
5,515,993 A	5/1996	McManus			
5,584,408 A	12/1996	Orkisz			
D378,192 S	2/1997	Krupa et al.			
D382,112 S	8/1997	Egan			
D382,795 S	8/1997	Abayhan et al.			
5,653,345 A	8/1997	Knoss et al.			
5,711,978 A	1/1998	Breen et al.			
5,758,791 A	6/1998	Mangla			
5,833,116 A	11/1998	Guillin			
5,860,549 A	1/1999	Allers et al.			
D409,485 S	5/1999	Christy, Jr.			
5,979,687 A	11/1999	Hayes et al.			
5,992,628 A	11/1999	Vermilion et al.			
6,079,554 A	6/2000	Hammett et al.			
6,085,930 A	7/2000	Curtis			
D438,100 S	2/2001	Cekota			
D451,278 S	12/2001	Cooper			
D467,496 S	12/2002	Hayes et al.			
6,508,395 B2	1/2003	McLeod			
6,588,612 B1	7/2003	Dorn et al.			
D478,282 S	8/2003	Hayes et al.			
6,644,494 B2	11/2003	Hayes et al.			
6,666,348 B2	12/2003	Fore et al.			
D490,278 S	5/2004	Welsh			
D493,672 S	8/2004	Jalet et al.			
6,845,878 B2	1/2005	Hayes et al.			
D505,835 S *	6/2005	Schultz .....	D7/602		
D506,147 S	6/2005	Hall			
D509,106 S	9/2005	de Groote et al.			
D512,278 S *	12/2005	Schultz .....	D7/629		
D514,389 S	2/2006	Luna et al.			
D514,931 S *	2/2006	Snedden .....	D9/418		
D531,802 S	11/2006	Zimmerman			
7,204,388 B2	4/2007	Galland et al.			
D544,755 S	6/2007	Diesman			
7,243,813 B2	7/2007	Krueger			
7,246,714 B2	7/2007	Garg et al.			
7,255,231 B2	8/2007	Andrews et al.			
D566,483 S	4/2008	Tucker et al.			
D569,243 S	5/2008	Kidd et al.			
D579,326 S	10/2008	Chen			
7,441,672 B2	10/2008	Cadiente et al.			
7,472,799 B2	1/2009	Cadiente et al.			
D591,148 S	4/2009	Parikh et al.			
7,597,206 B2	10/2009	Atkins et al.			
D604,604 S	11/2009	Strange			
D606,811 S	12/2009	Furlong			
D607,282 S	1/2010	Furlong			
D621,222 S	8/2010	Heiberg et al.			
7,784,615 B2	8/2010	Stahl			
7,819,279 B2	10/2010	Galland et al.			
D627,218 S *	11/2010	Golota .....	D9/424		
D628,478 S *	12/2010	Snedden .....	D9/431		
D628,479 S *	12/2010	Snedden .....	D9/431		
7,866,502 B2	1/2011	Maxwell			
D666,904 S *	9/2012	Snedden .....	D9/424		
D666,905 S *	9/2012	Ramirez .....	D9/424		
D672,231 S *	12/2012	Snedden .....	D9/424		
D678,050 S	3/2013	Birchmeier et al.			
D688,941 S	9/2013	Sifuentes et al.			
D692,751 S *	11/2013	Mastronardi .....	D9/427		
D695,109 S *	12/2013	Liu .....	D9/427		
D696,938 S	1/2014	BeVier et al.			
D697,372 S *	1/2014	Everingham .....	D7/587		
D720,990 S	1/2015	Jacobs et al.			
D723,339 S	3/2015	Maxwell et al.			
D723,340 S	3/2015	Maxwell et al.			
2003/0052133 A1	3/2003	Hayes et al.			
2003/0152670 A1	8/2003	Shih			
2003/0192888 A1	10/2003	Chang			
2003/0198714 A1	10/2003	Cadiente et al.			
2005/0040068 A1	2/2005	Palder			
2005/0167317 A1	8/2005	Barrett et al.			
2005/0247709 A1	11/2005	Atkins et al.			
2006/0289550 A1	12/2006	Guardigli			
2007/0045631 A1	3/2007	Endo et al.			
2007/0095848 A1	5/2007	Galland et al.			
2008/0000800 A1	1/2008	LaMarche et al.			
2008/0023472 A1	1/2008	Brandt			
2008/0135556 A1	6/2008	Bontrager et al.			
2009/0065514 A1	3/2009	Vovan			
2009/0134179 A1	5/2009	Kidd et al.			
2009/0134180 A1	5/2009	Kidd et al.			
2009/0223966 A1	9/2009	Kidd et al.			

\* cited by examiner

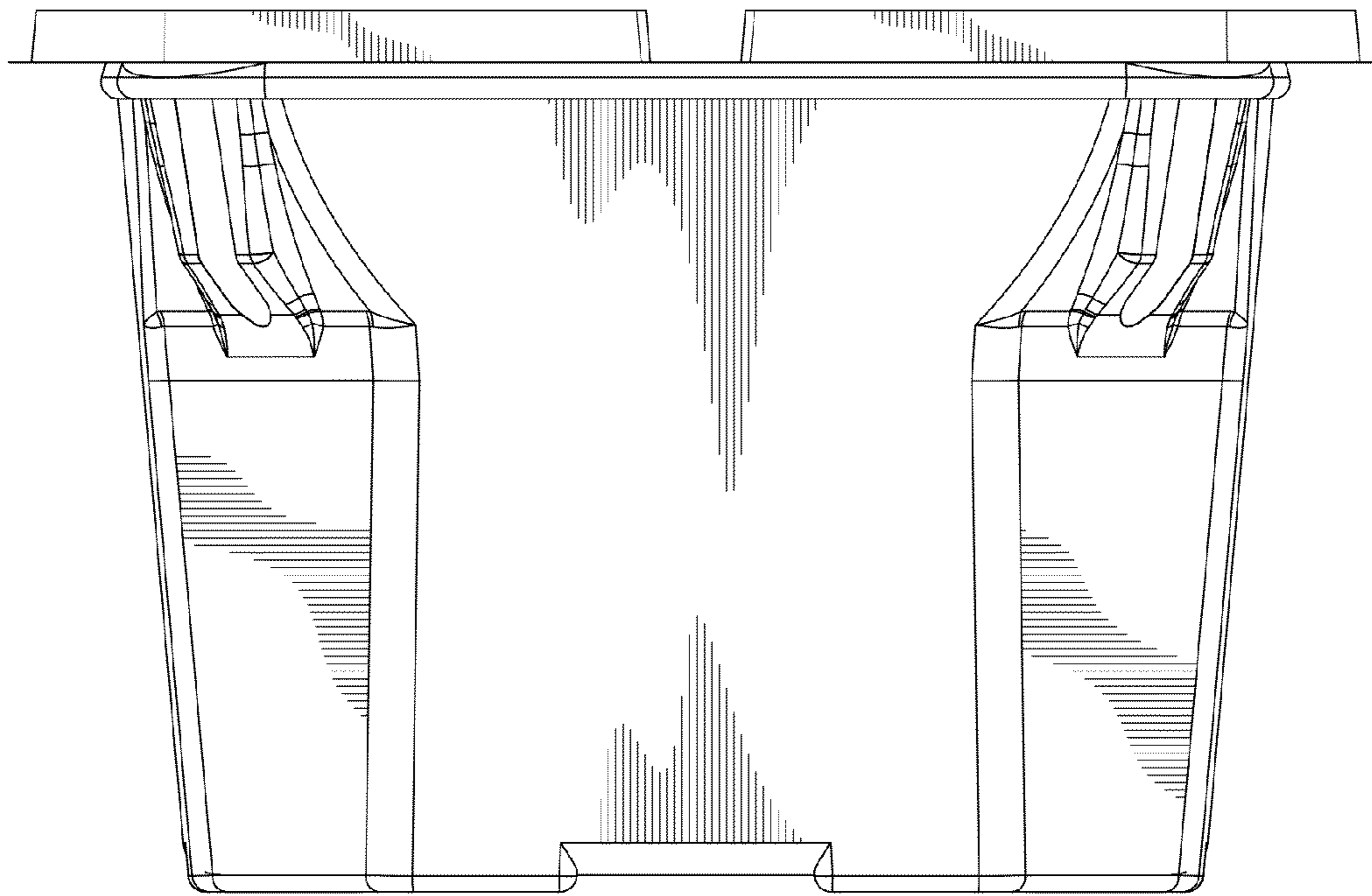
*FIG. 1*



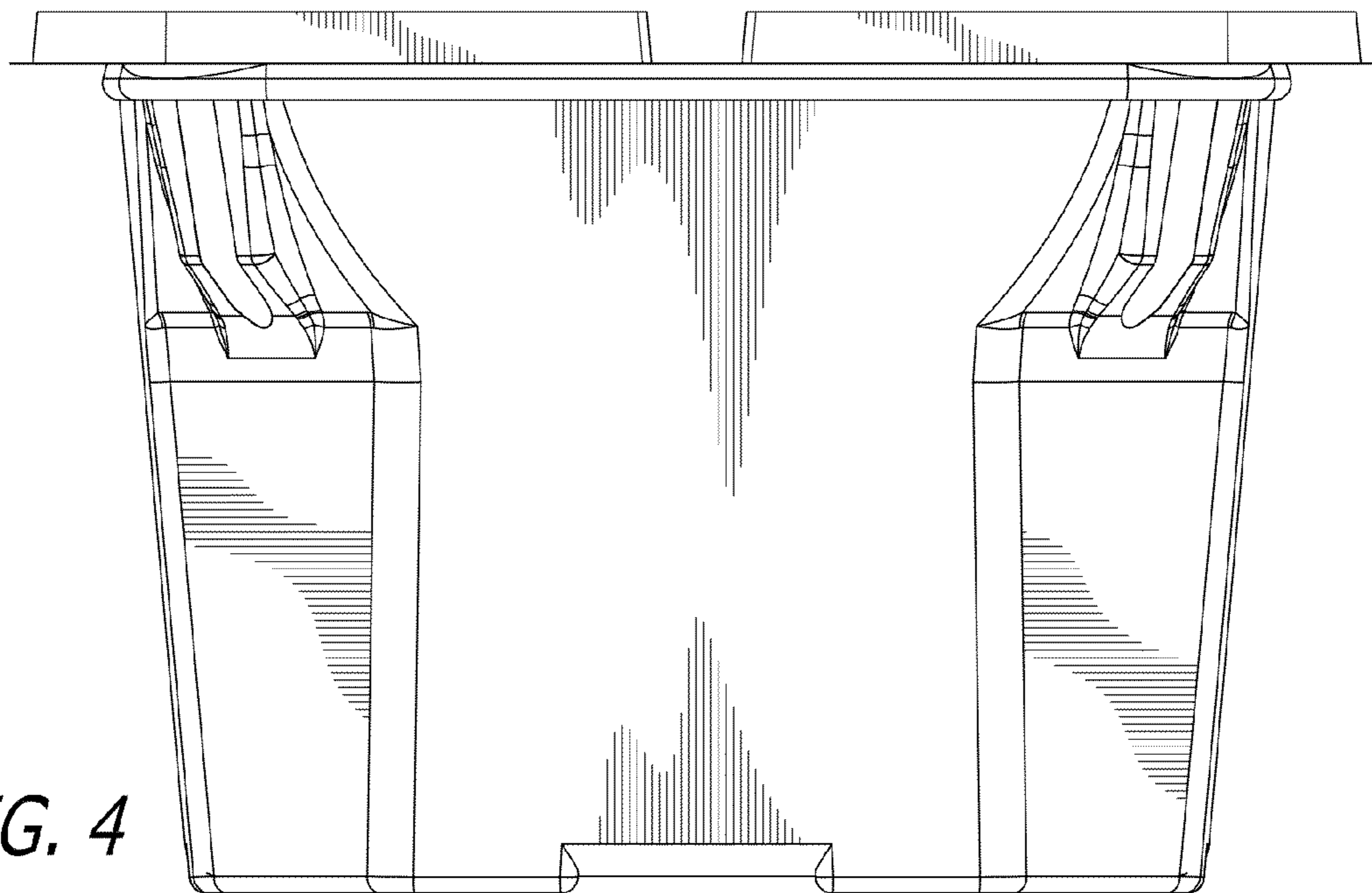
*FIG. 2*



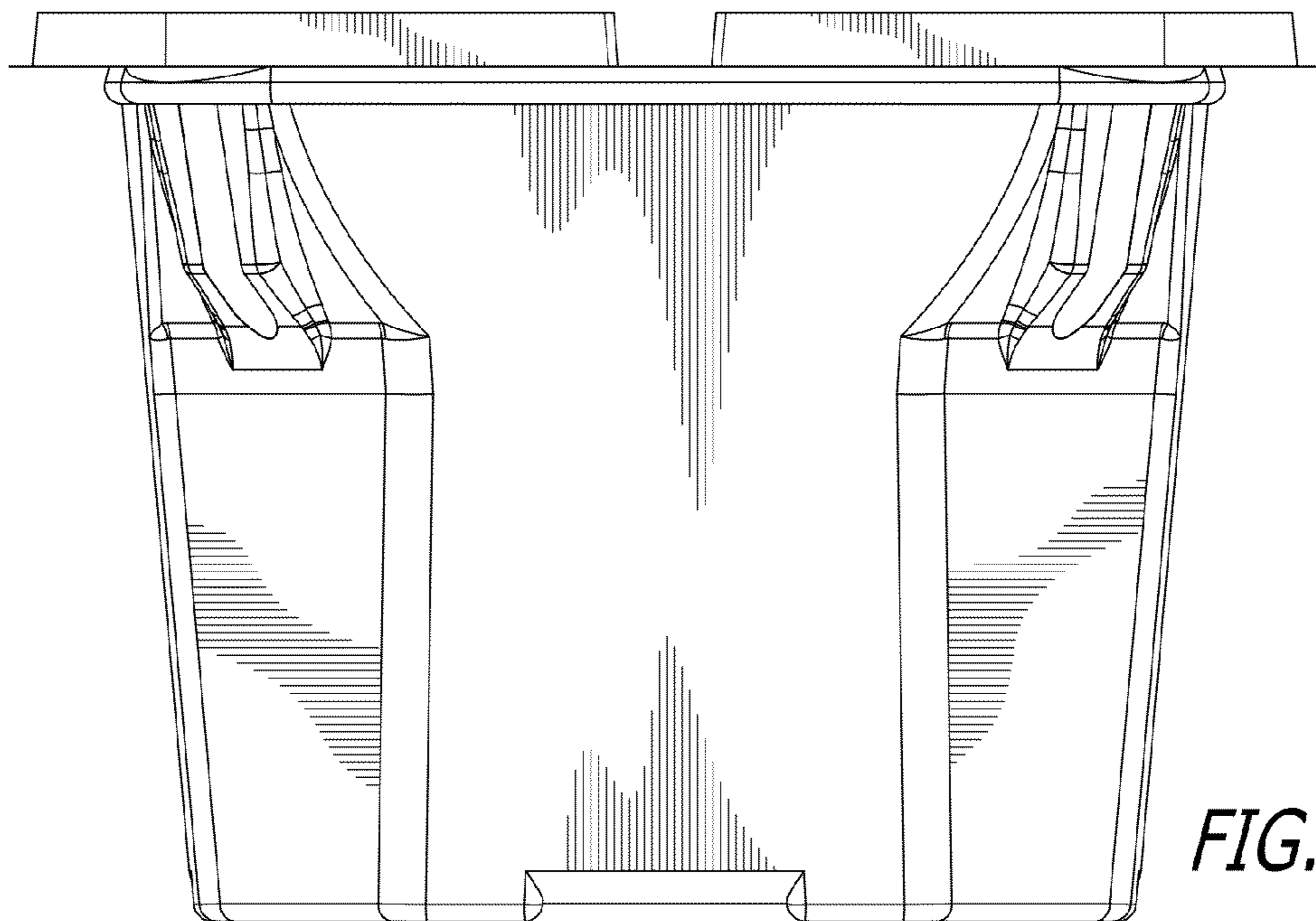
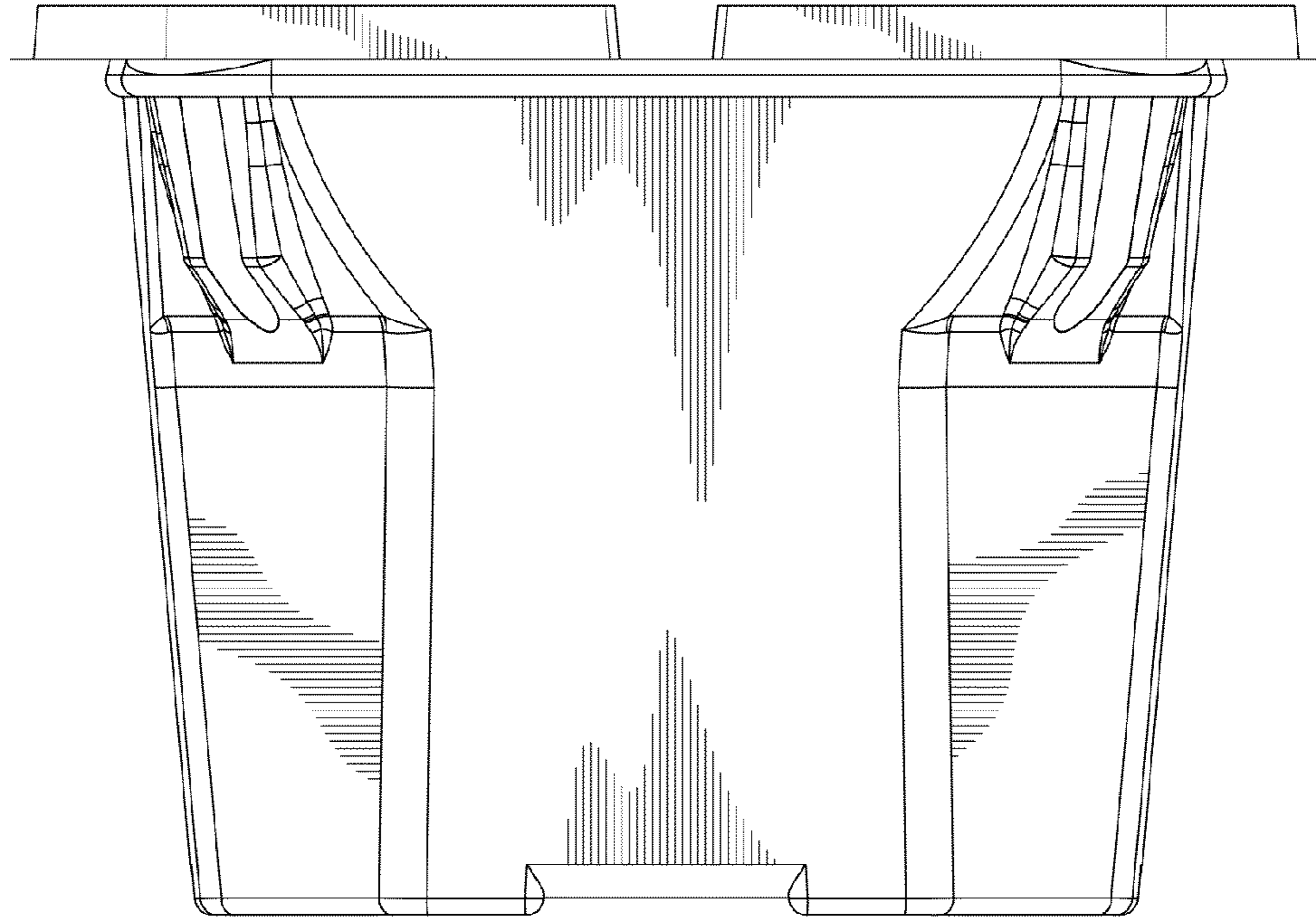
*FIG. 3*



*FIG. 4*



*FIG. 5*



*FIG. 6*

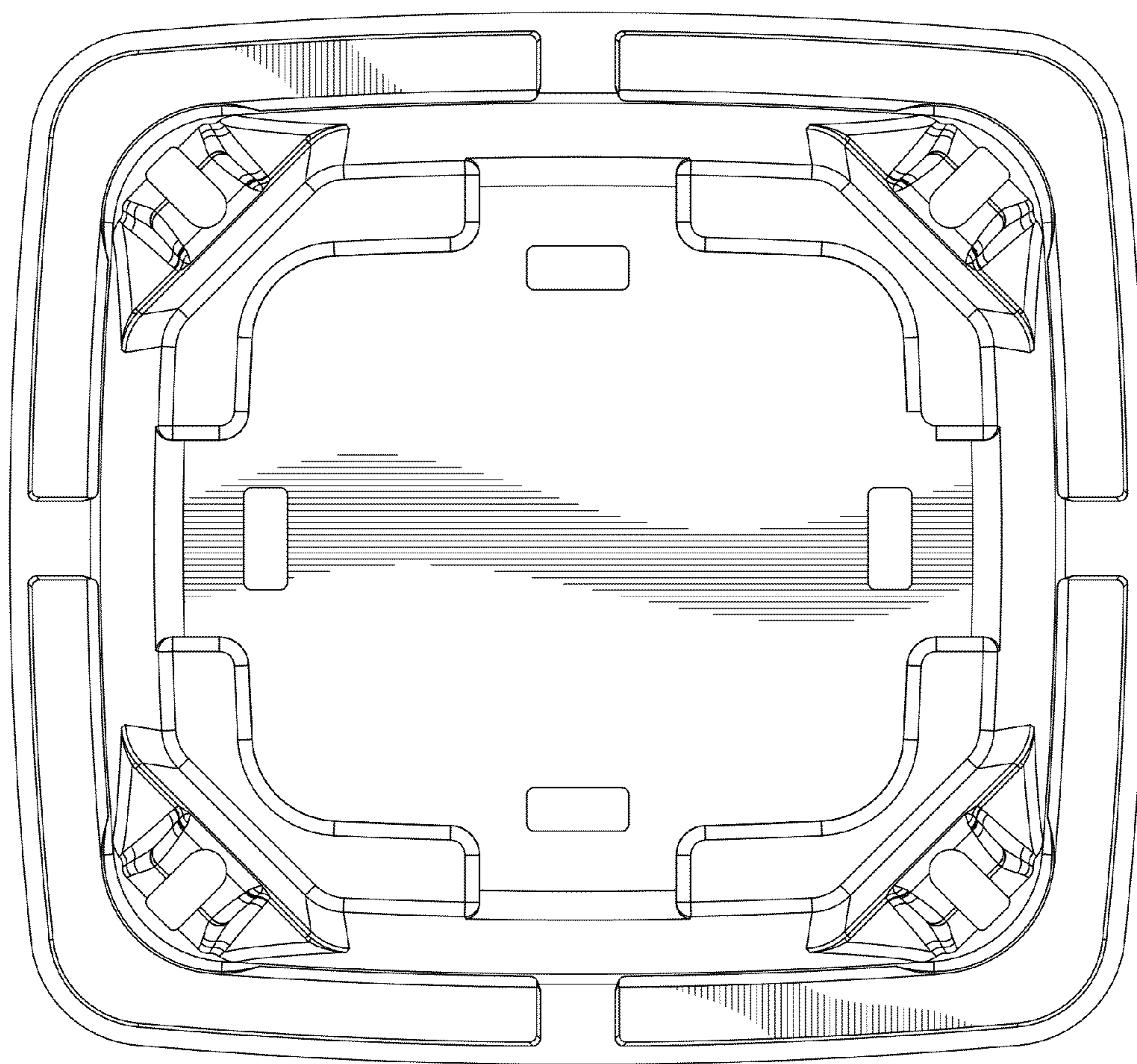
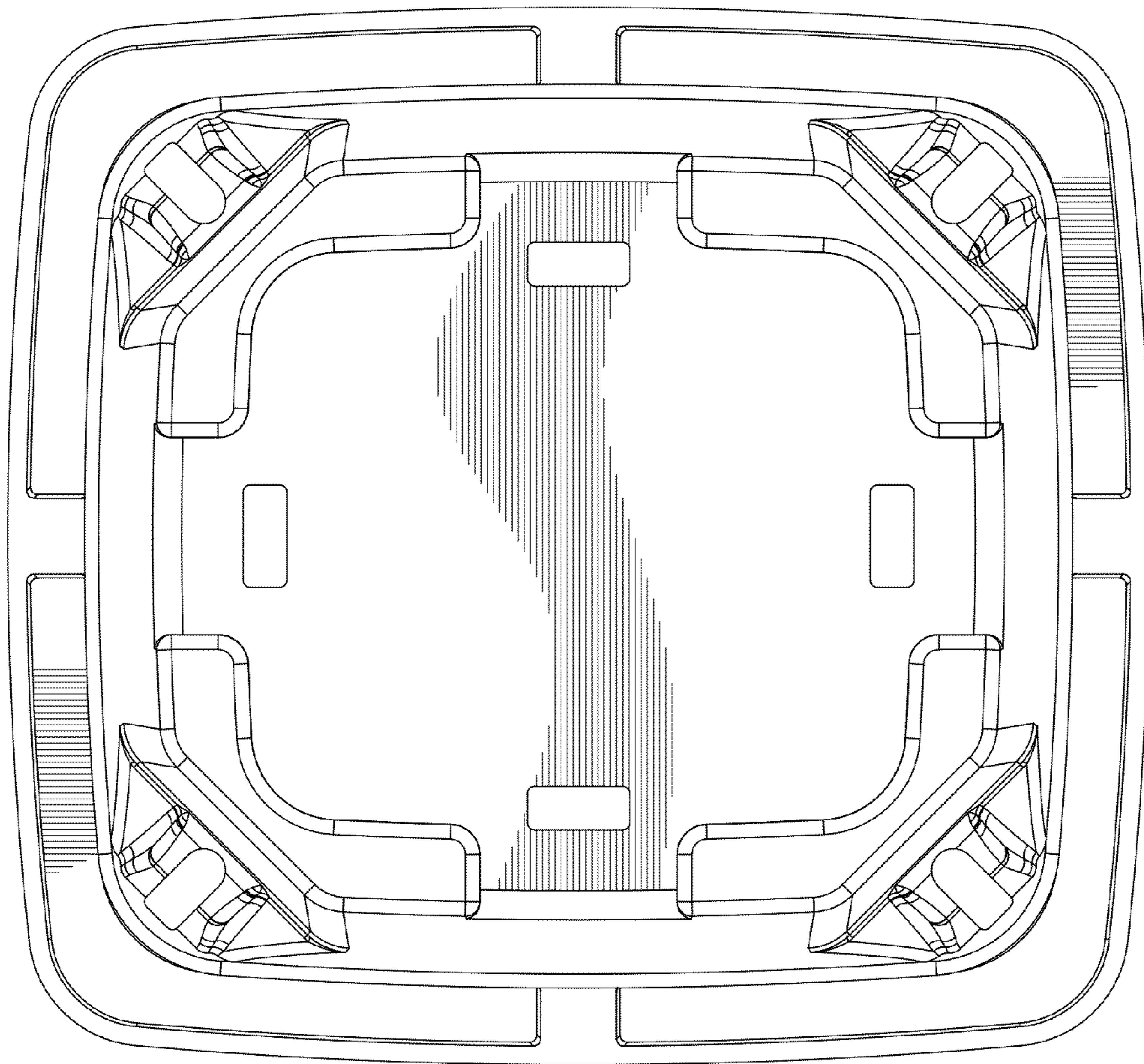


FIG. 7



*FIG. 8*