



US00D741703S

(12) **United States Design Patent**
Janson et al.

(10) **Patent No.:** **US D741,703 S**
(45) **Date of Patent:** **** Oct. 27, 2015**

(54) **PACKAGE**

(71) Applicant: **Biogen MA Inc.**, Cambridge, MA (US)

(72) Inventors: **Christine P. Janson**, Dedham, MA (US); **Ethan B. Jacoby**, Wellesley Hills, MA (US)

(73) Assignee: **Biogen MA Inc.**, Cambridge, MA (US)

(**) Term: **14 Years**

(21) Appl. No.: **29/478,806**

(22) Filed: **Jan. 8, 2014**

(51) **LOC (10) Cl.** **09-03**

(52) **U.S. Cl.**
USPC **D9/424**; D9/432

(58) **Field of Classification Search**
USPC D9/414-433, 444-445, 456, 711, 715, D9/718, 748; D7/601, 602, 538, 540, D7/550.1; D3/203.5, 202, 207, 210
CPC B65D 5/00; B65D 5/001; B65D 5/0015; B65D 5/0227-5/0254; B65D 5/0045; B65D 5/18; B65D 5/2033; B65D 5/38; B65D 5/40; B65D 1/22; B65D 1/225; B65D 1/24; B65D 1/34; B65D 1/38

See application file for complete search history.

(56) **References Cited**

U.S. PATENT DOCUMENTS

1,235,890	A	8/1917	Gilbert	
4,106,621	A	8/1978	Sorenson	
D261,234	S *	10/1981	Abraham	D9/432
4,671,408	A	6/1987	Raines	
4,848,587	A	7/1989	Nipp	
4,976,370	A *	12/1990	Cassel	220/792
D313,502	S *	1/1991	Vasky	D3/284
5,511,684	A *	4/1996	Weaver, Jr.	220/630
5,566,828	A	10/1996	Claes et al.	
D385,787	S *	11/1997	Takano et al.	D9/432
D433,331	S *	11/2000	Denham et al.	D9/432

6,540,078	B1	4/2003	Homent et al.	
D491,315	S *	6/2004	Dittmer et al.	D28/83
D536,491	S *	2/2007	Schumaier	D32/1
D548,070	S *	8/2007	Swain	D9/432
D605,034	S *	12/2009	Sarantis	D9/430
7,731,678	B2	6/2010	Tennican et al.	
7,770,730	B2	8/2010	Booker et al.	
7,806,265	B2	10/2010	Timm	
D694,102	S *	11/2013	Bellamah et al.	D9/424

(Continued)

FOREIGN PATENT DOCUMENTS

JP	D1179324	7/2003
WO	WO 2007/091153	8/2007

OTHER PUBLICATIONS

International Search Report and the Written Opinion of the International Searching Authority for International Application No. PCT/US13/49322, ISA/US, mailed Dec. 16, 2013, 10 pgs.

Primary Examiner — Susan Bennett Hattan

Assistant Examiner — Vy Koenig

(74) *Attorney, Agent, or Firm* — Sterne, Kessler, Goldstein & Fox P.L.L.C.

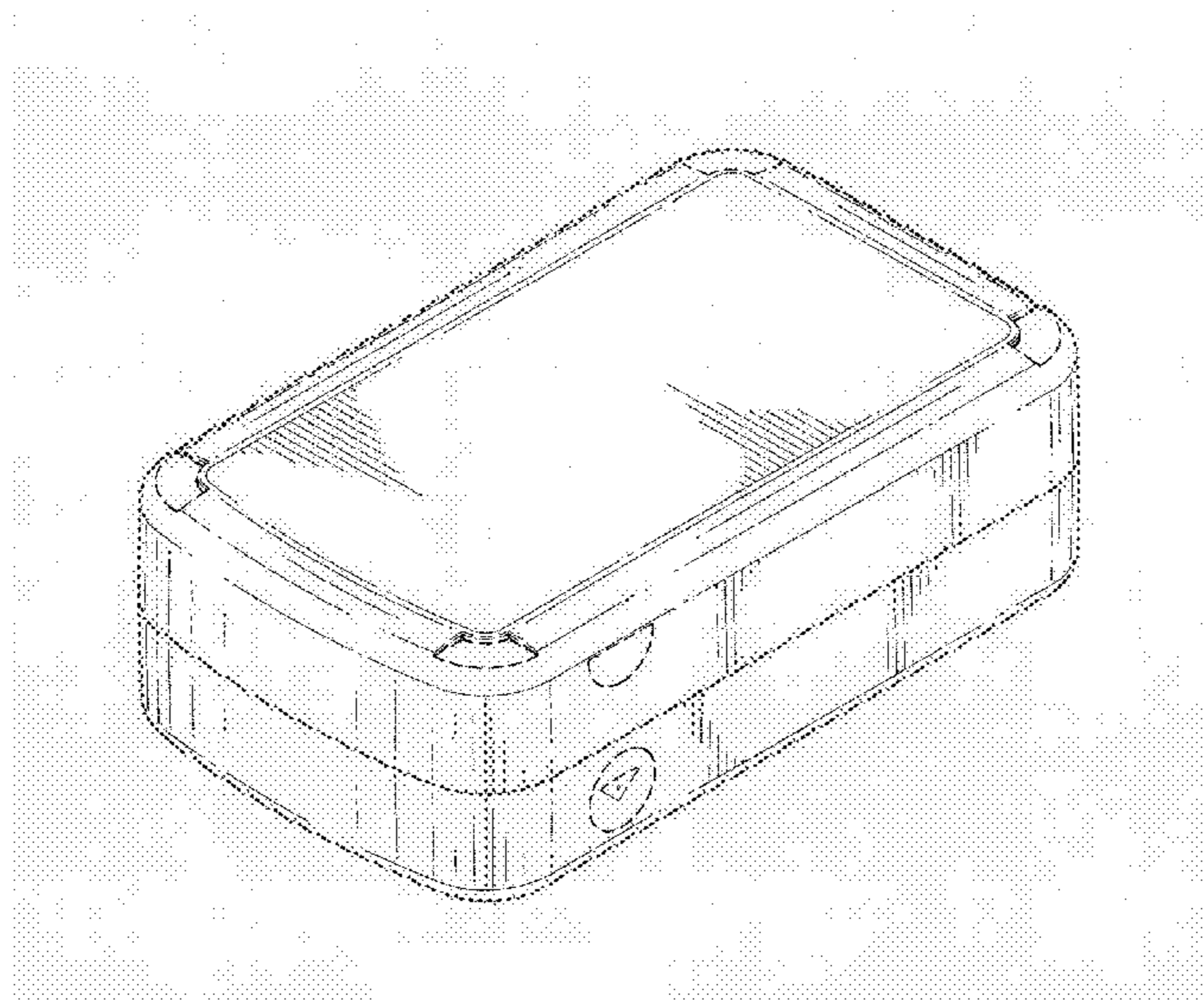
(57) **CLAIM**

The ornamental design for package, as shown and described.

DESCRIPTION

FIG. 1 is a top front perspective view of package showing our new design;
FIG. 2 is a bottom rear perspective view thereof;
FIG. 3 is a front view thereof;
FIG. 4 is a rear view thereof;
FIG. 5 is a left view thereof;
FIG. 6 is a right view thereof;
FIG. 7 is a top plan view thereof; and,
FIG. 8 is a bottom plan view thereof.
The broken lines in the Figures show portions of the package that form no part of the claimed design.

1 Claim, 6 Drawing Sheets



US D741,703 S

Page 2

(56)

References Cited

U.S. PATENT DOCUMENTS

8,910,781	B2 *	12/2014	Pipes et al.	206/242			
2004/0182729	A1	9/2004	Farrar et al.				
2007/0251983	A1	11/2007	Freeze				
2008/0124954	A1 *	5/2008	Wei Chen	439/76.1			
2012/0024855	A1 *	2/2012	Smyers	220/324			

* cited by examiner

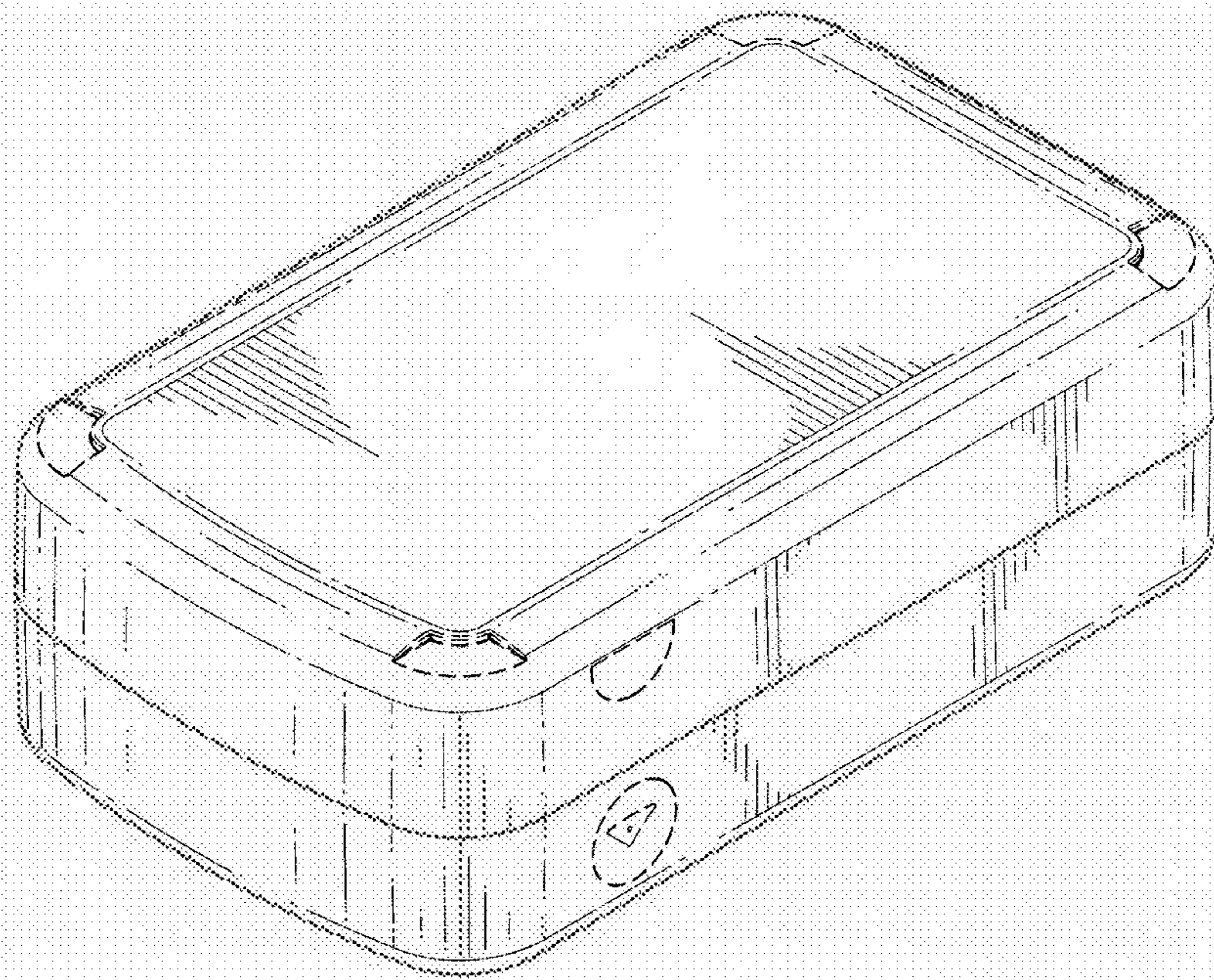


FIG. 1

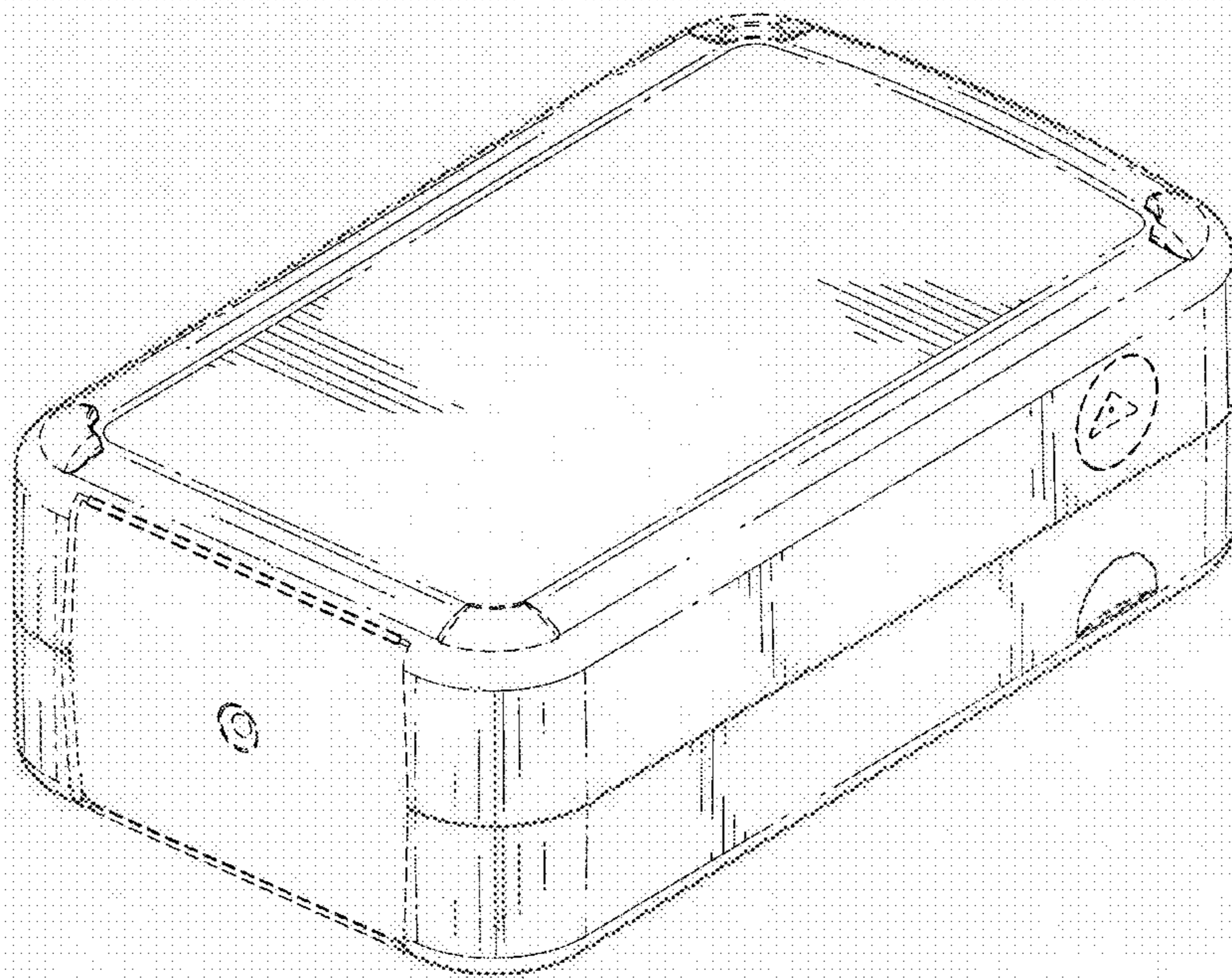


FIG. 2

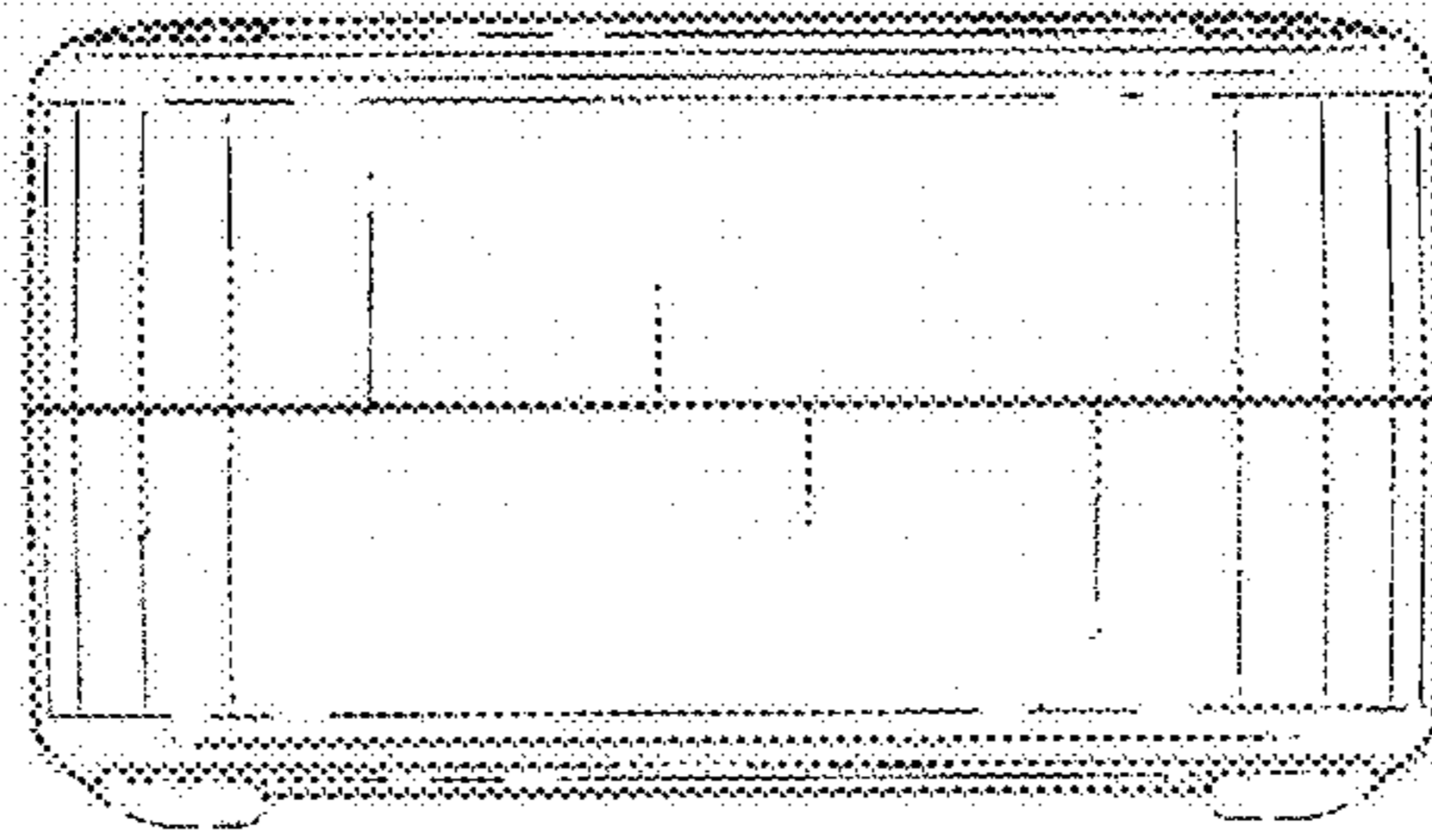


FIG. 3

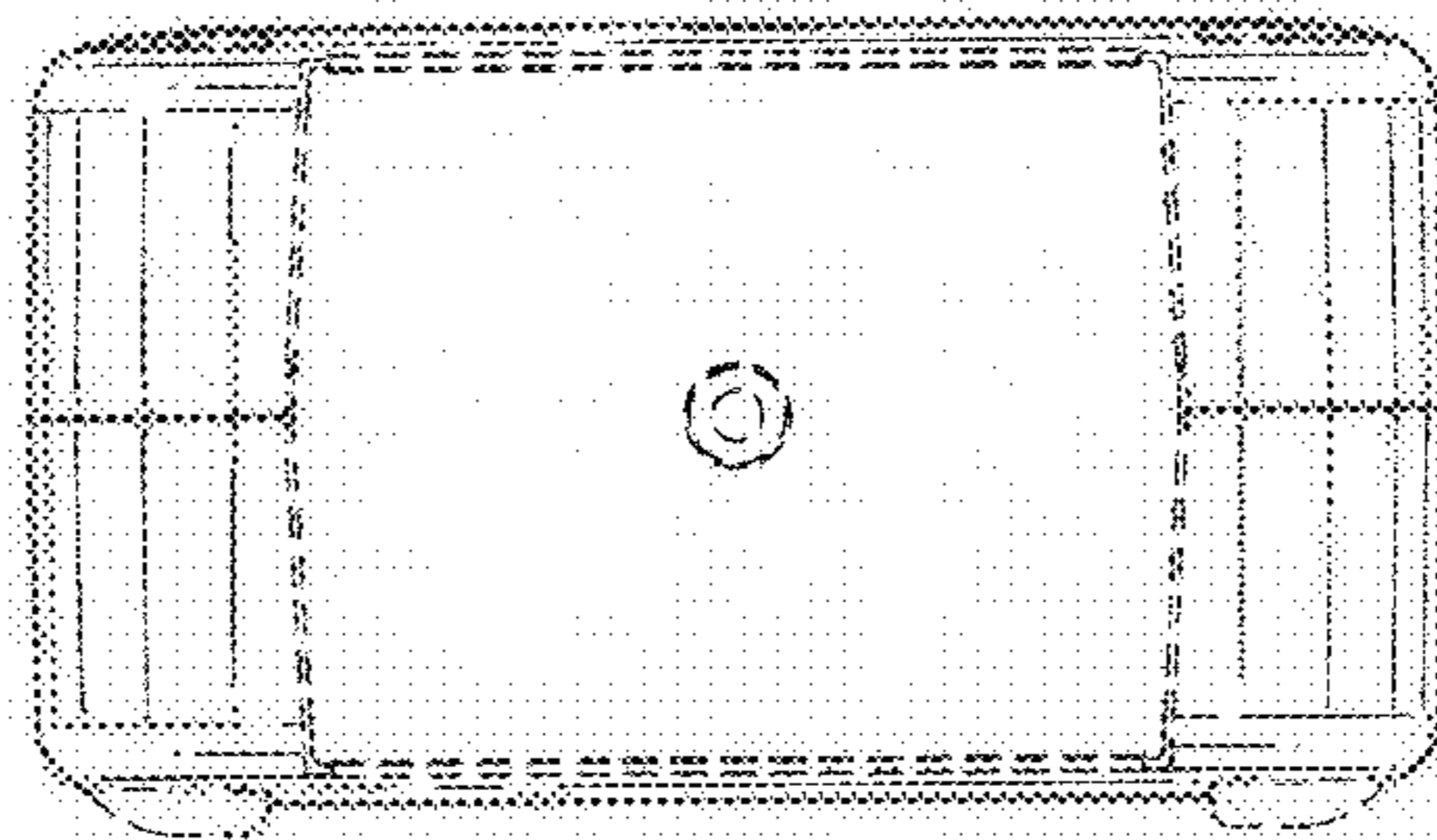


FIG. 4

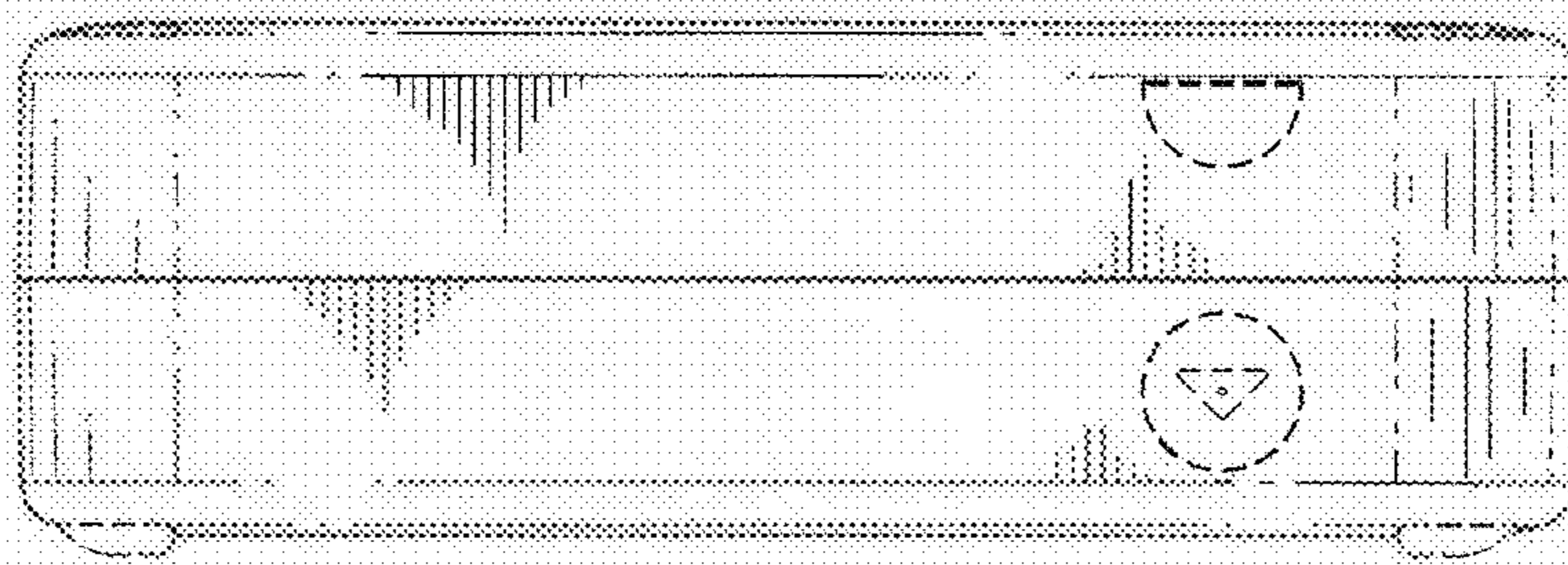


FIG. 5

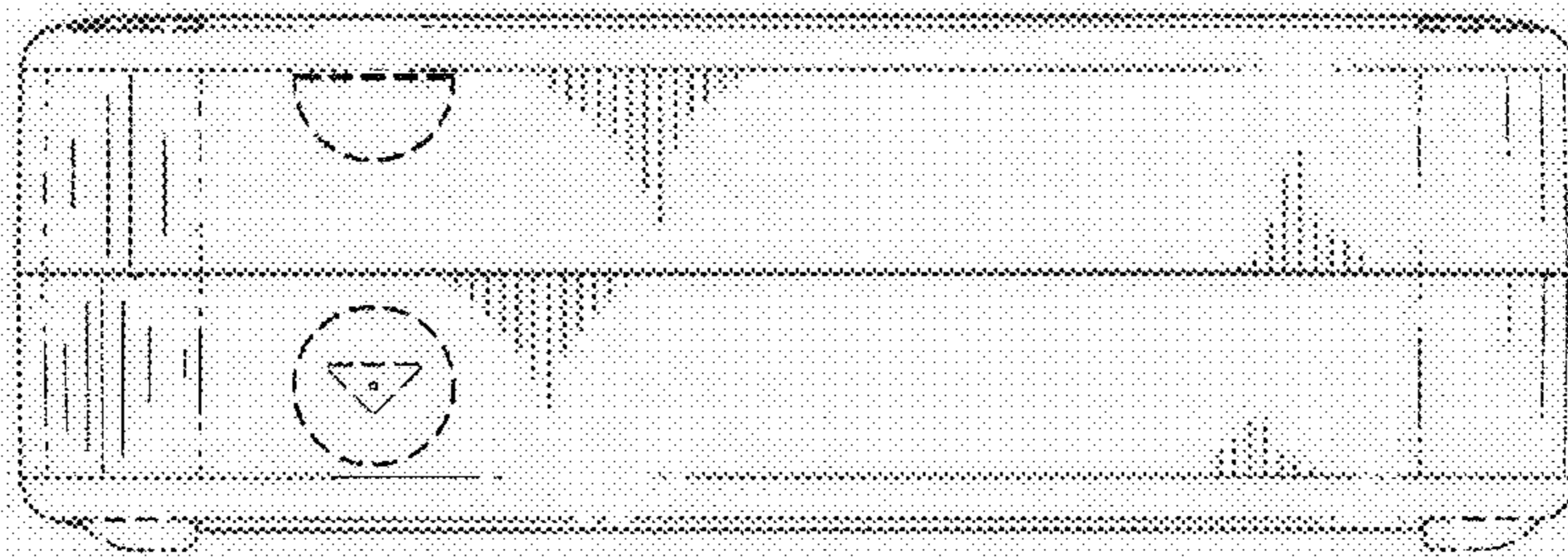
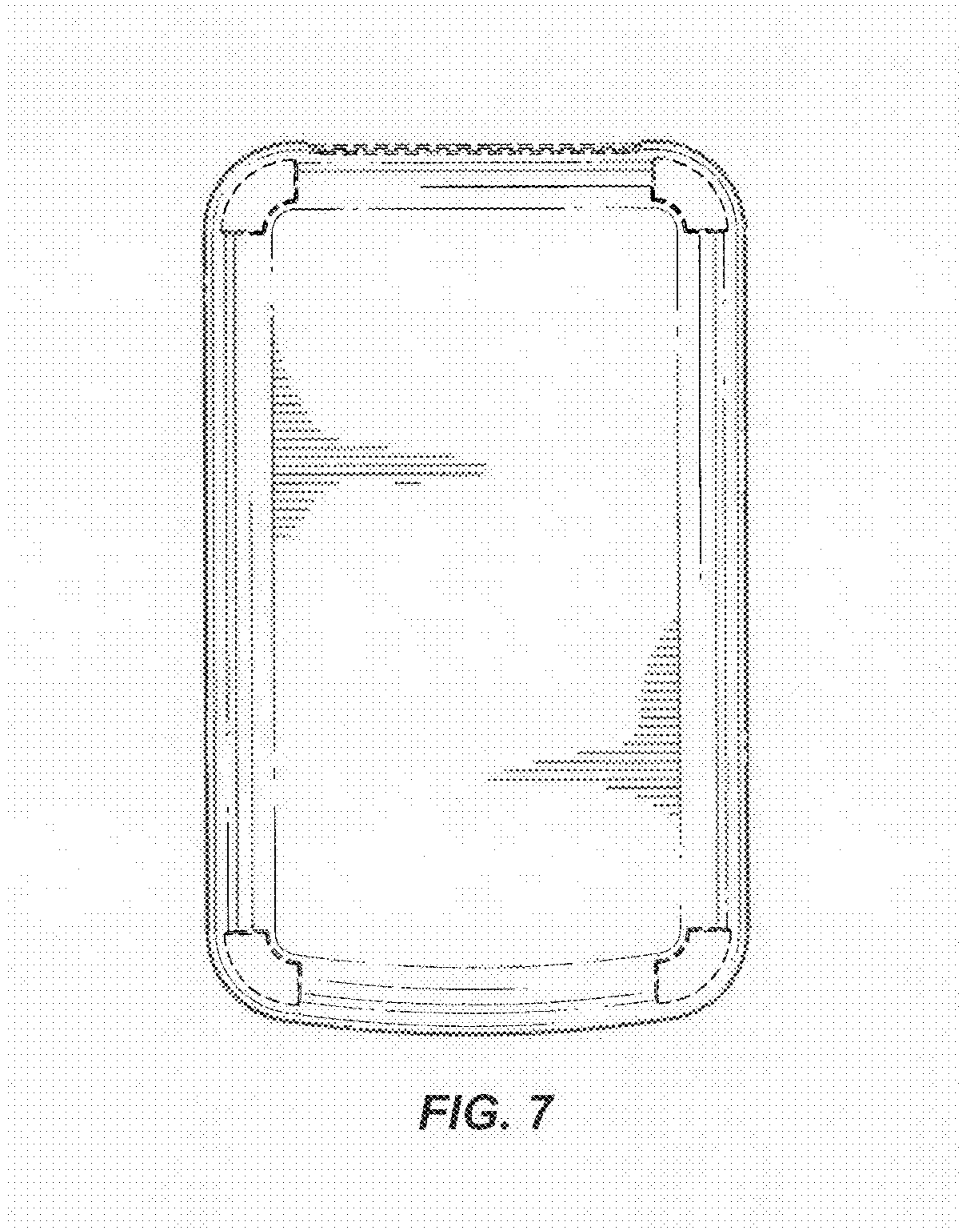


FIG. 6



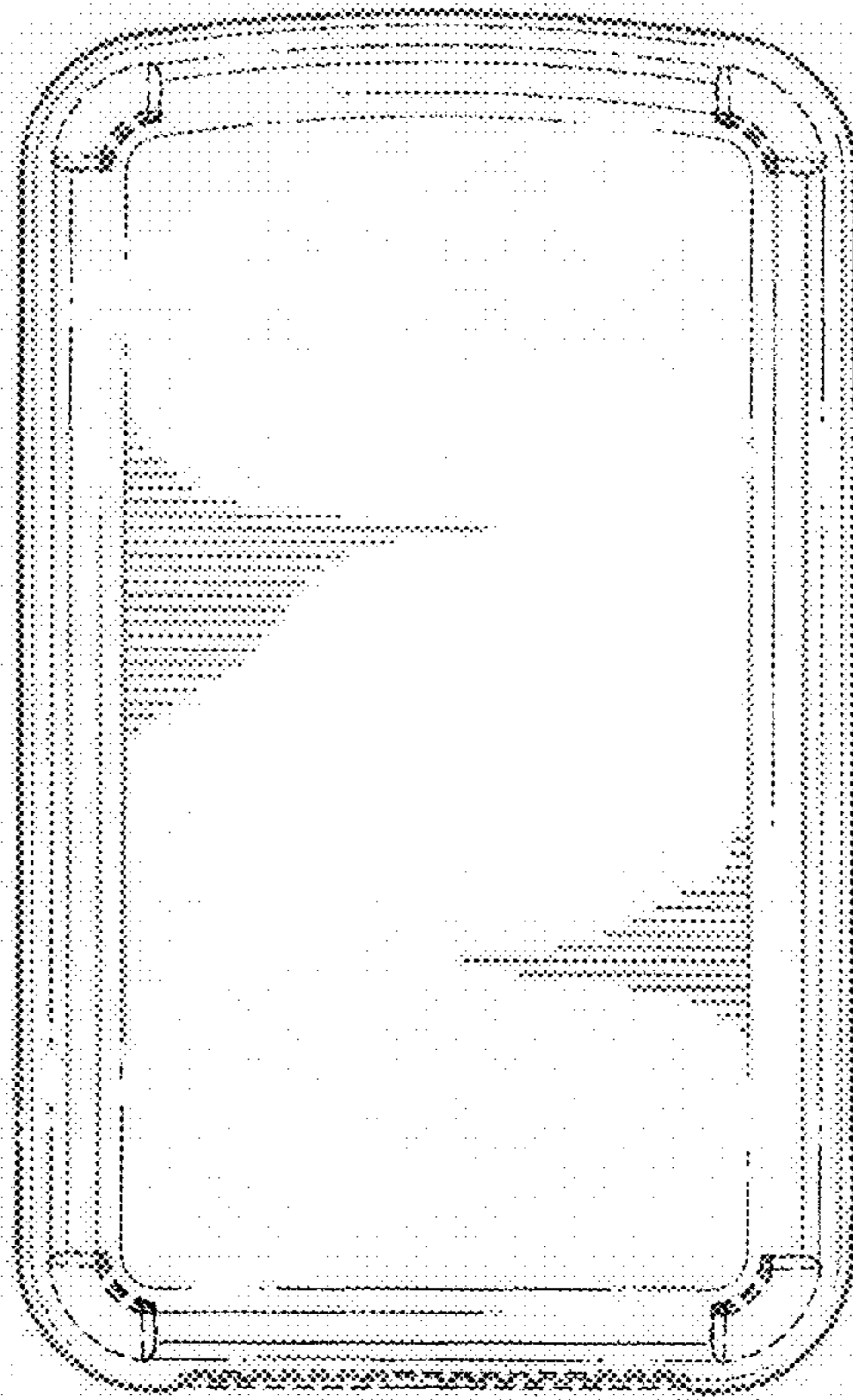


FIG. 8