



US00D741702S

(12) **United States Design Patent**
Ruan et al.

(10) **Patent No.:** **US D741,702 S**
(45) **Date of Patent:** **** Oct. 27, 2015**

(54) **PACKAGE FOR A BINDING DEVICE**

(56)

References Cited

(71) Applicants: **Buqin Ruan**, Taizhou (CN); **Zhaoyin Xiao**, Taizhou (CN); **Zhengzhong Zhu**, Taizhou (CN); **Shengliang Niu**, Taizhou (CN)

(72) Inventors: **Buqin Ruan**, Taizhou (CN); **Zhaoyin Xiao**, Taizhou (CN); **Zhengzhong Zhu**, Taizhou (CN); **Shengliang Niu**, Taizhou (CN)

(73) Assignee: **Zhejiang Topsun Logistic Control Co., Ltd.**, Taizhou (CN)

(**) Term: **14 Years**

(21) Appl. No.: **29/490,257**

(22) Filed: **May 8, 2014**

(30) **Foreign Application Priority Data**

Nov. 28, 2013 (CN) 2013 3 0581567

(51) **LOC (10) Cl.** **09-03**

(52) **U.S. Cl.**
USPC **D9/416**

(58) **Field of Classification Search**
USPC D9/416, 415, 722, 456, 457, 749, 418,
D9/423, 424, 428, 431, 499; D6/473, 466;
206/348, 49, 320; 211/76, 41.1;
446/268

CPC G09F 5/042; G06F 1/1628; B65D 85/677;
A47G 23/025; H01L 21/6734; A63H 3/52

See application file for complete search history.

U.S. PATENT DOCUMENTS			
42,943	A *	5/1864	Hance 211/76
2,322,057	A *	6/1943	Poutinen 206/348
2,839,185	A *	6/1958	Isaacs 206/49
5,919,074	A *	7/1999	Honda 446/268
D428,738	S *	8/2000	Brozak, Jr. D6/473
6,170,674	B1 *	1/2001	Caterinacci 211/41.1
D597,766	S *	8/2009	Nealon et al. D6/466
D625,530	S *	10/2010	Robbins, III D6/466
8,522,970	B2 *	9/2013	Hsieh 206/320

FOREIGN PATENT DOCUMENTS

CN 20070056745.0 5/2008

* cited by examiner

Primary Examiner — Holly Baynham

Assistant Examiner — Rhea Shields

(74) *Attorney, Agent, or Firm* — Minder Law Group; Willy H. Wong

(57)

CLAIM

The ornamental design for a package for a binding device, as shown and described.

DESCRIPTION

FIG. 1 is a front view of a package for a binding device showing our new design;

FIG. 2 is a left view thereof;

FIG. 3 is a top view thereof;

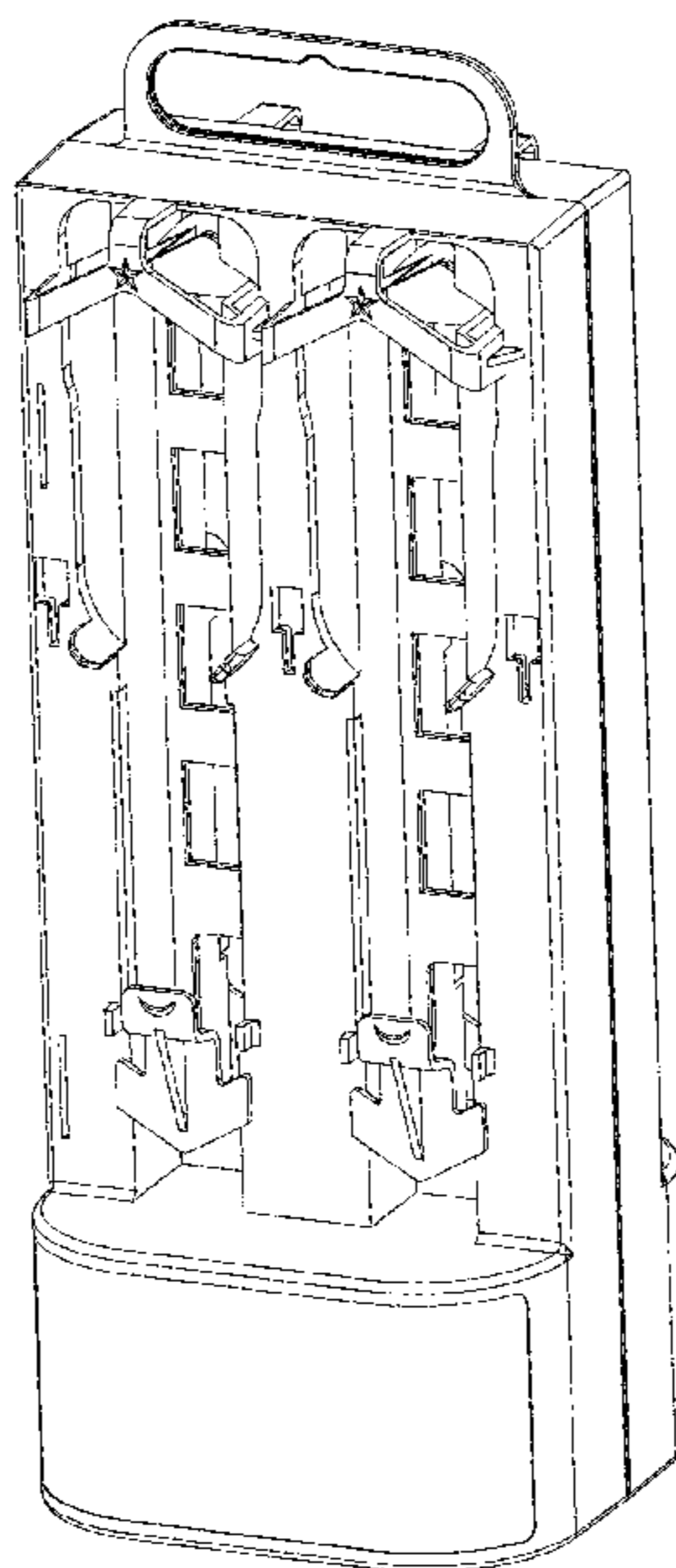
FIG. 4 is a bottom view thereof;

FIG. 5 is a perspective view thereof; and,

FIG. 6 is a front perspective view of the package for a binding device showing environment.

In the drawings, the broken lines are for the purpose of illustrating environment only and form no part of the claimed design.

1 Claim, 5 Drawing Sheets



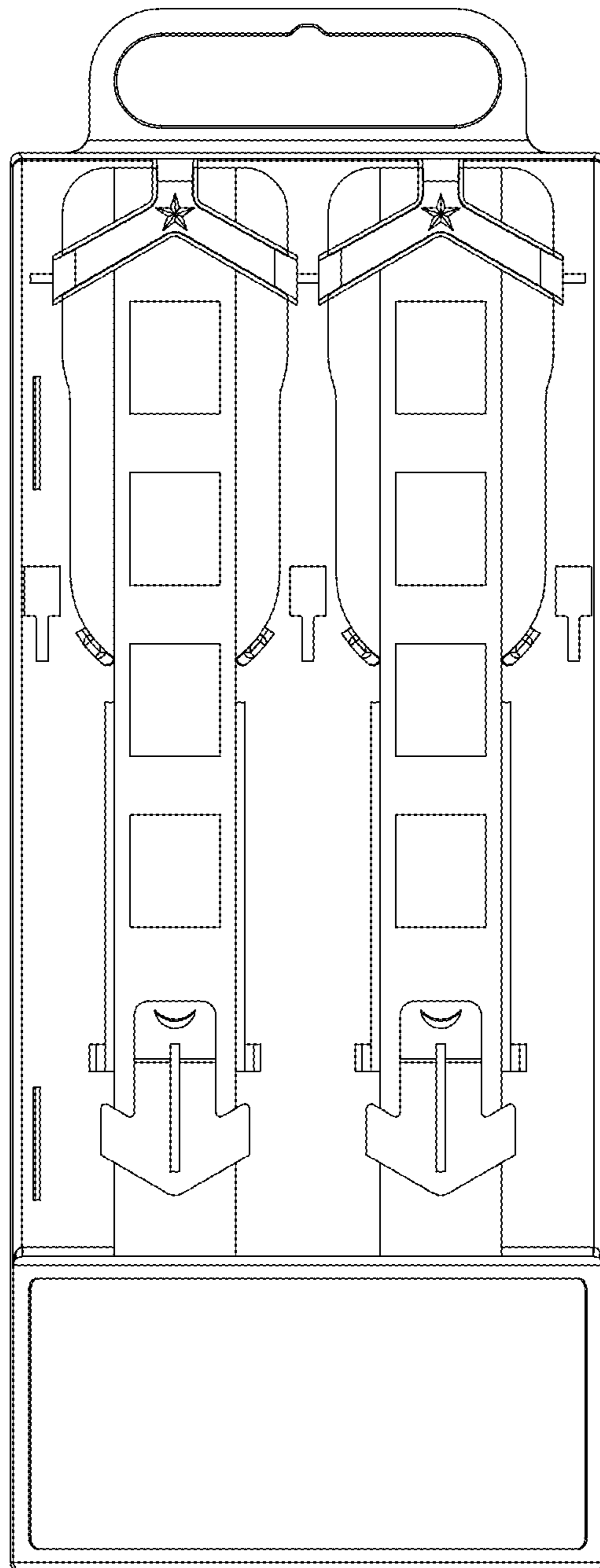


Fig. 1

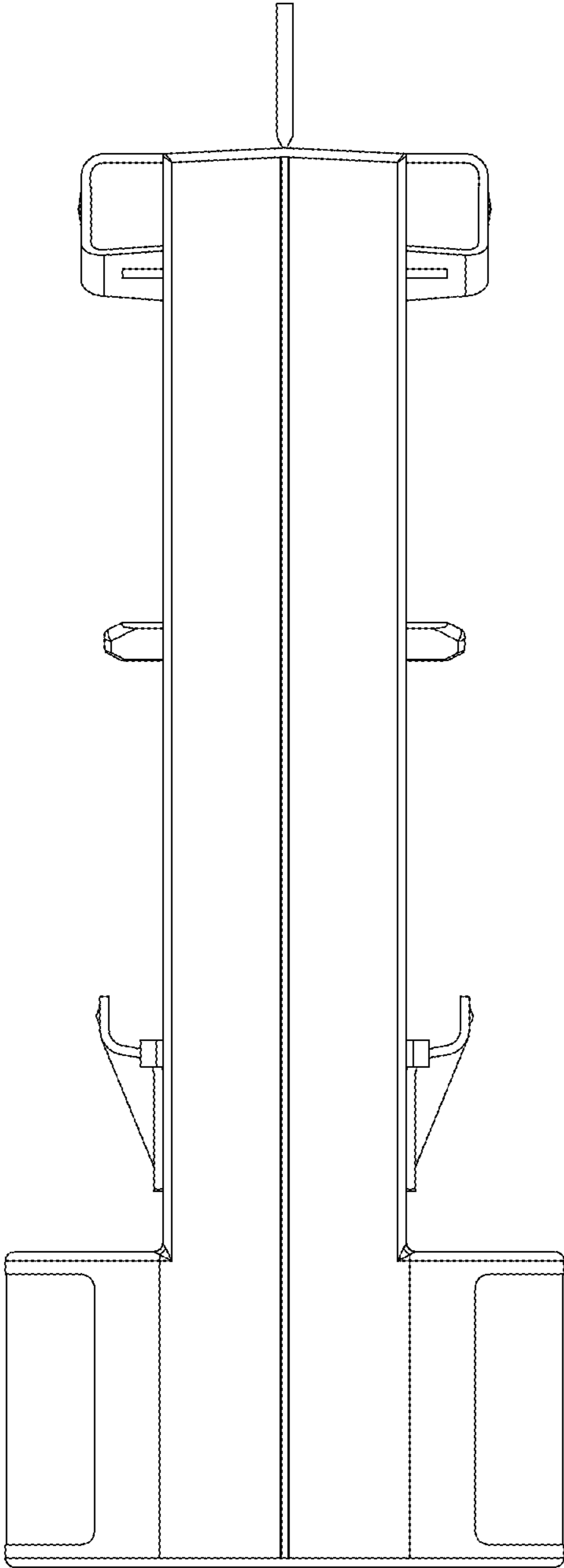


Fig.2

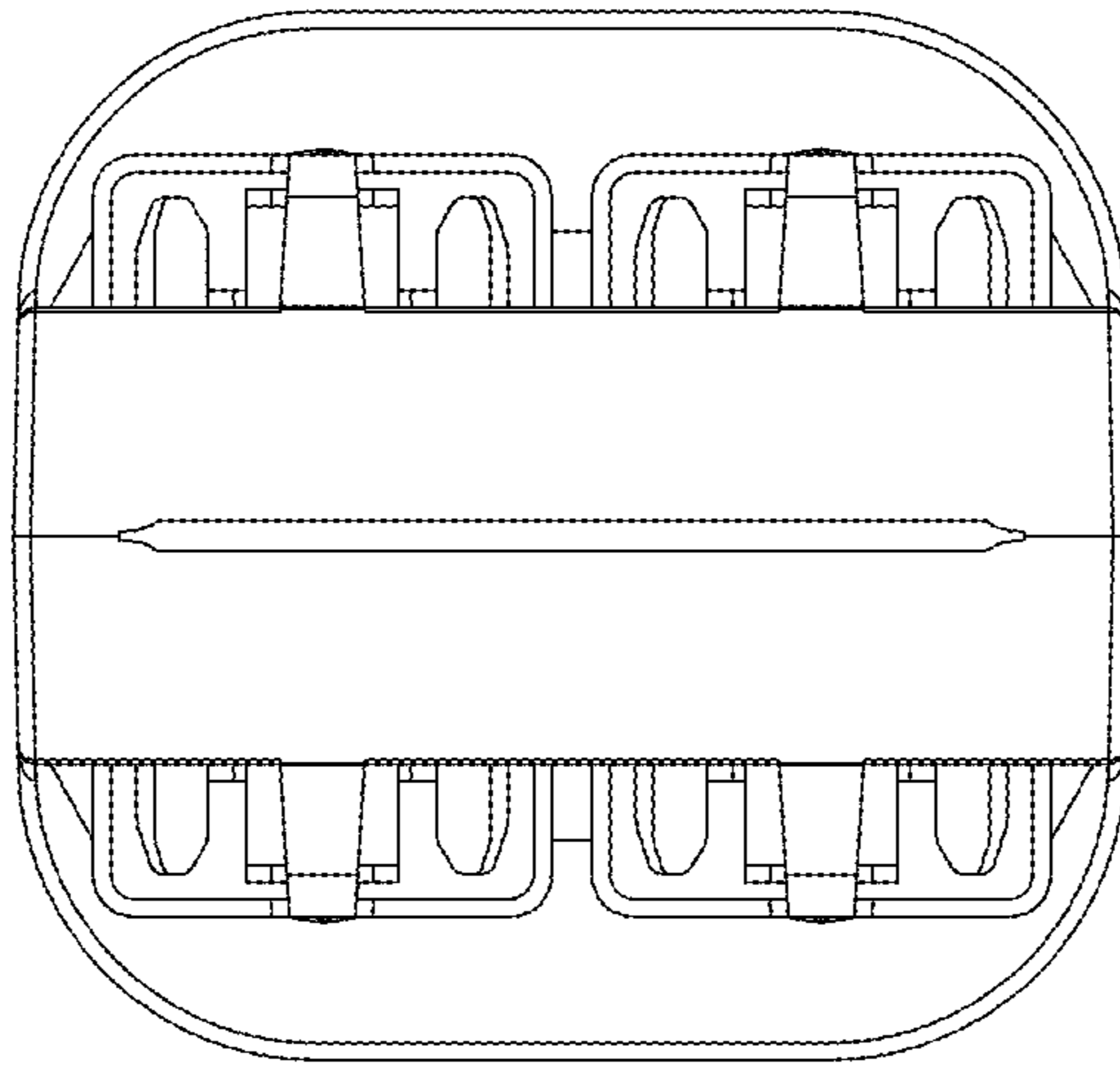


Fig.3

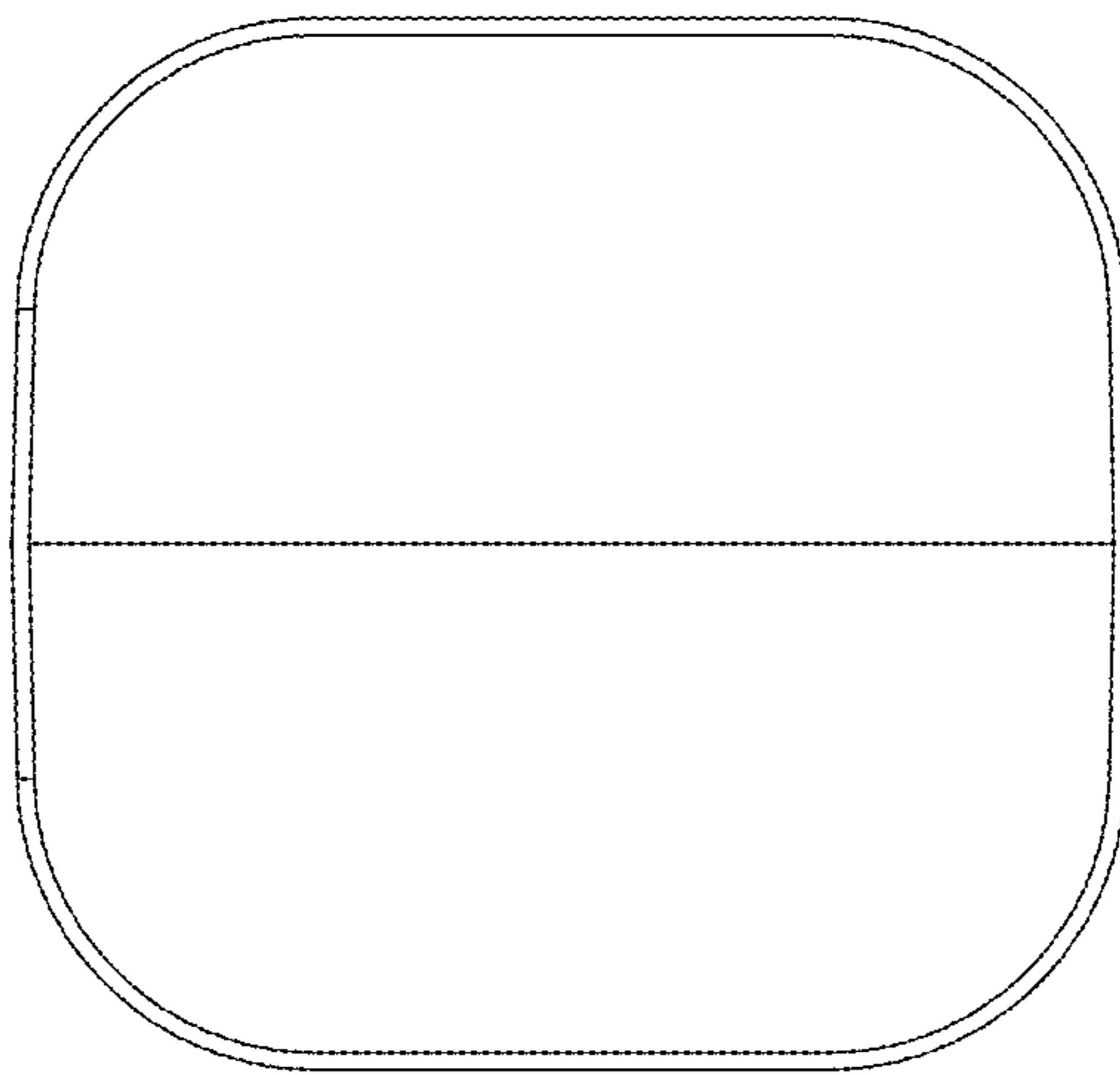


Fig.4

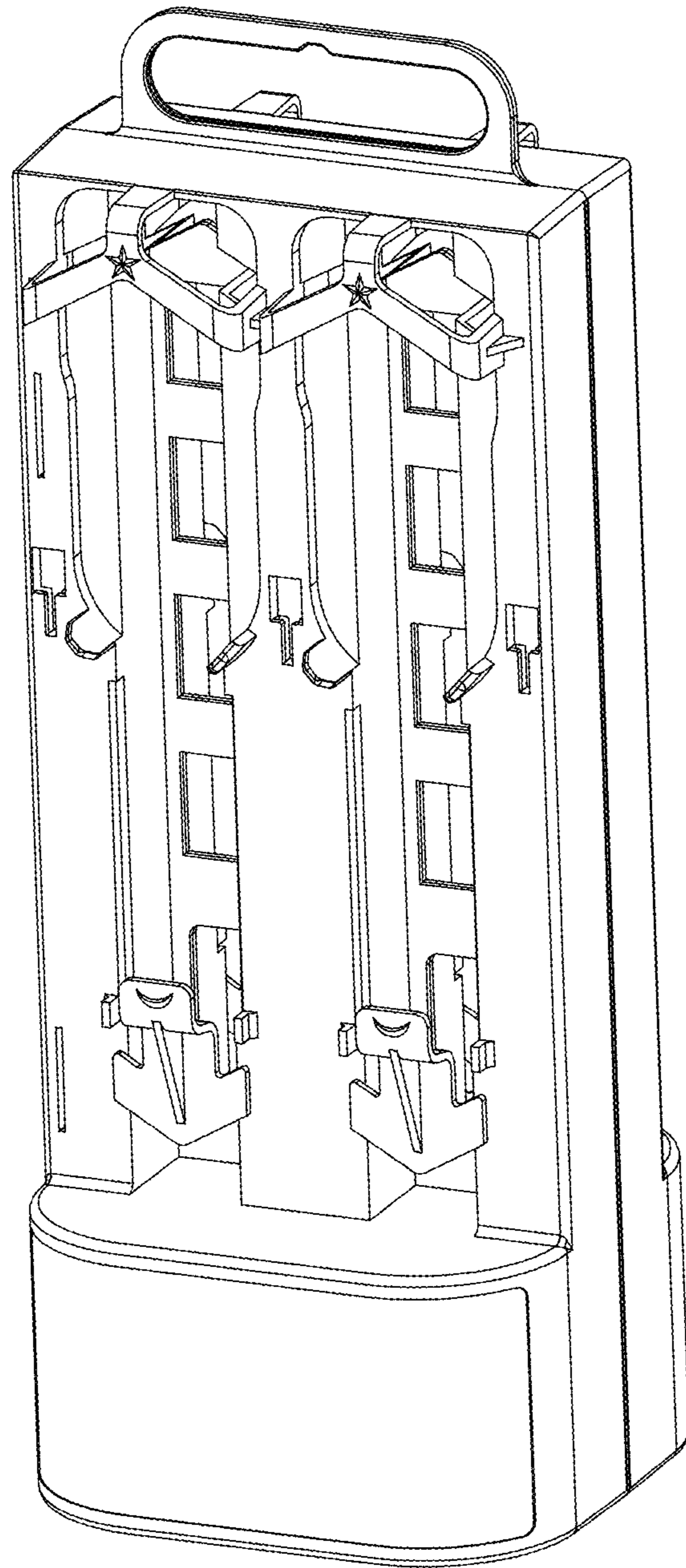


Fig.5

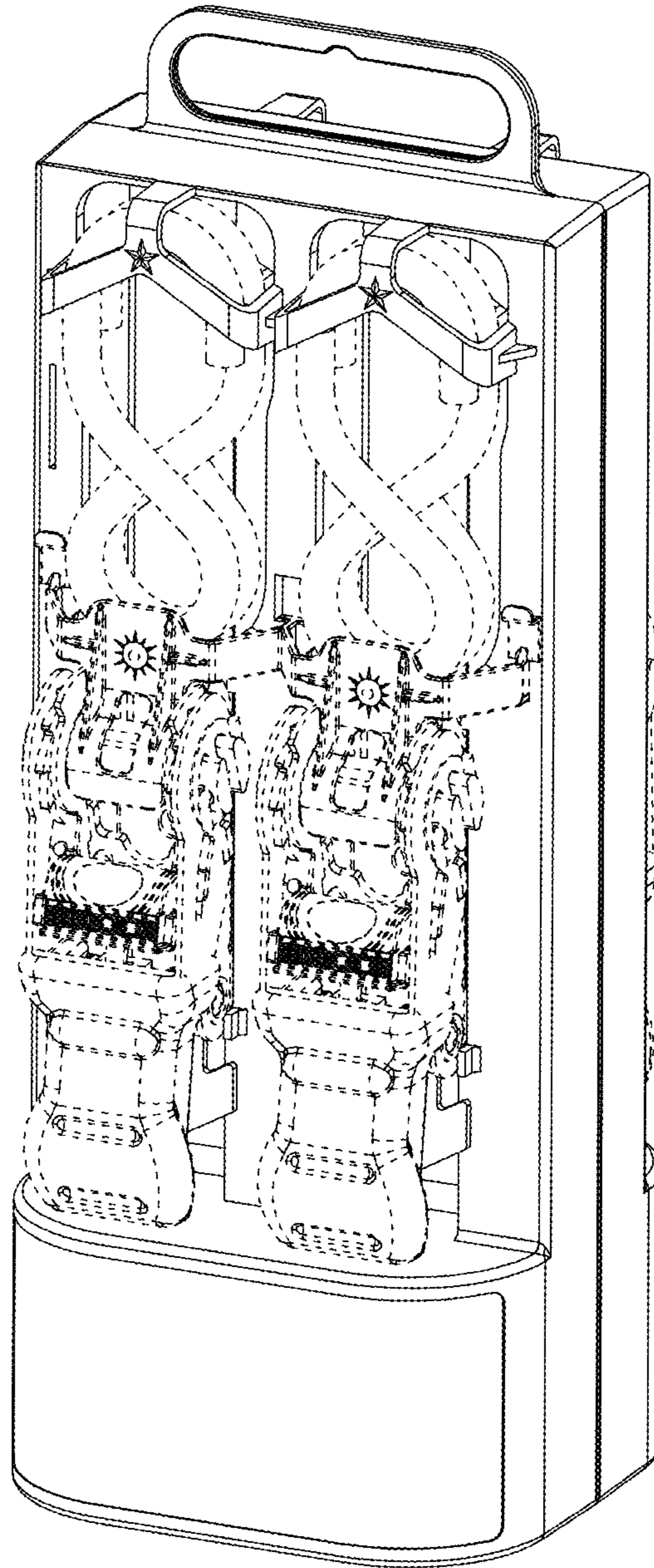


Fig.6