



US00D741701S

(12) **United States Design Patent**
McNeil et al.

(10) **Patent No.:** **US D741,701 S**

(45) **Date of Patent:** **** Oct. 27, 2015**

- (54) **TUBE MANAGEMENT CLIP**
- (71) Applicant: **Huntleigh Technology Ltd**, Houghton Regis, Bedfordshire (GB)
- (72) Inventors: **Bruce J. McNeil**, San Antonio, TX (US);
Julie D. Acosta, Fair Oaks Ranch, TX (US)
- (73) Assignee: **Huntleigh Technology Ltd.**, Bedfordshire (GB)
- (**) Term: **14 Years**
- (21) Appl. No.: **29/495,315**
- (22) Filed: **Jun. 30, 2014**
- (51) **LOC (10) Cl.** **08-08**
- (52) **U.S. Cl.**
USPC **D8/396; D8/356**
- (58) **Field of Classification Search**
USPC D8/396, 394, 356; D23/265; 24/274 R,
24/279, 276; 285/252, 253, 410, 364, 407
CPC ... A62C 13/78; A47K 10/14; A47G 25/0657;
A47G 1/21; E05C 19/145; B63B 19/24;
F16L 33/12; F16L 33/08; F16L 33/02
See application file for complete search history.

- 5,704,080 A * 1/1998 Kuhne 4/605
- D396,185 S * 7/1998 Fraser D8/396
- D421,318 S * 2/2000 O'Brien et al. D26/138
- D437,547 S * 2/2001 Moubayed et al. D8/394
- D440,005 S * 4/2001 Blanton D26/138
- D451,371 S * 12/2001 Borotto et al. D8/396
- D560,482 S * 1/2008 Casteel et al. D8/395
- D569,718 S * 5/2008 Nakamura et al. D8/394
- D575,088 S * 8/2008 Saulnier D6/547
- D597,403 S * 8/2009 Ho et al. D8/396
- D619,940 S * 7/2010 Strang D12/159
- D647,788 S * 11/2011 Weaver et al. D8/396
- 8,117,796 B2 * 2/2012 Kodi 52/687
- D691,877 S * 10/2013 Ganski D8/356
- 8,707,515 B2 * 4/2014 Payne et al. 16/2.5
- D719,013 S * 12/2014 St. John et al. D8/356
- D722,867 S * 2/2015 Papafagos et al. D8/396

* cited by examiner

Primary Examiner — John Windmuller

(74) *Attorney, Agent, or Firm* — Fenwick & West LLP

(57) **CLAIM**

The ornamental design for a tube management clip, as shown and described.

DESCRIPTION

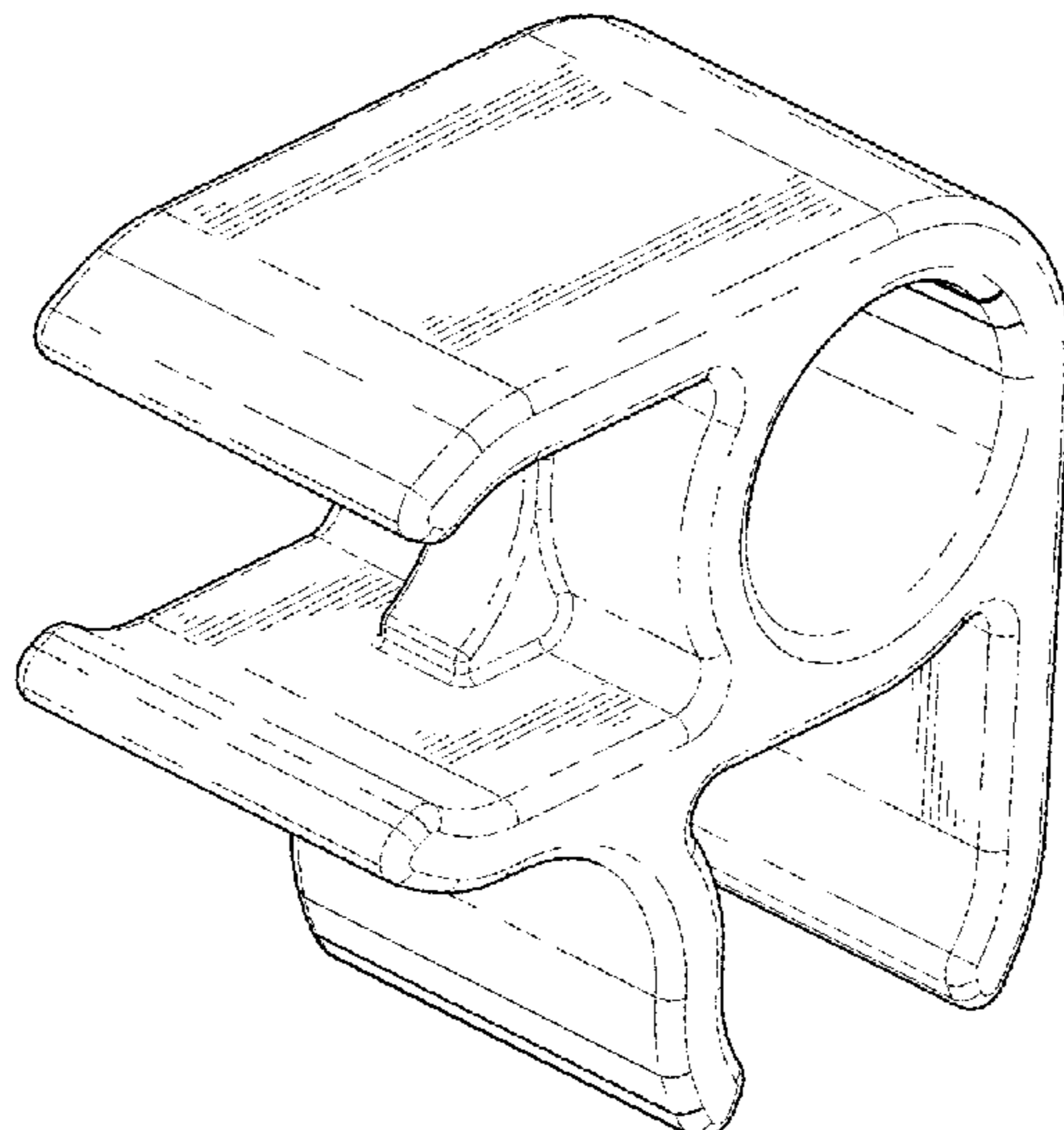
FIG. 1 is a front, left, and top perspective view of a tube management clip showing our new design;
 FIG. 2 is a back, right, and top perspective view thereof;
 FIG. 3 is a right perspective view thereof;
 FIG. 4 is a left perspective view thereof;
 FIG. 5 is a front perspective view thereof;
 FIG. 6 is a top perspective view thereof; and,
 FIG. 7 is a bottom perspective view thereof.

1 Claim, 3 Drawing Sheets

(56) **References Cited**

U.S. PATENT DOCUMENTS

- 3,033,412 A * 5/1962 Fox 220/23.4
- D295,724 S * 5/1988 Shioda D8/396
- D309,255 S * 7/1990 Karow, Jr. D8/395
- 5,027,478 A * 7/1991 Suhr 24/16 R
- 5,703,330 A * 12/1997 Kujawski 174/72 A



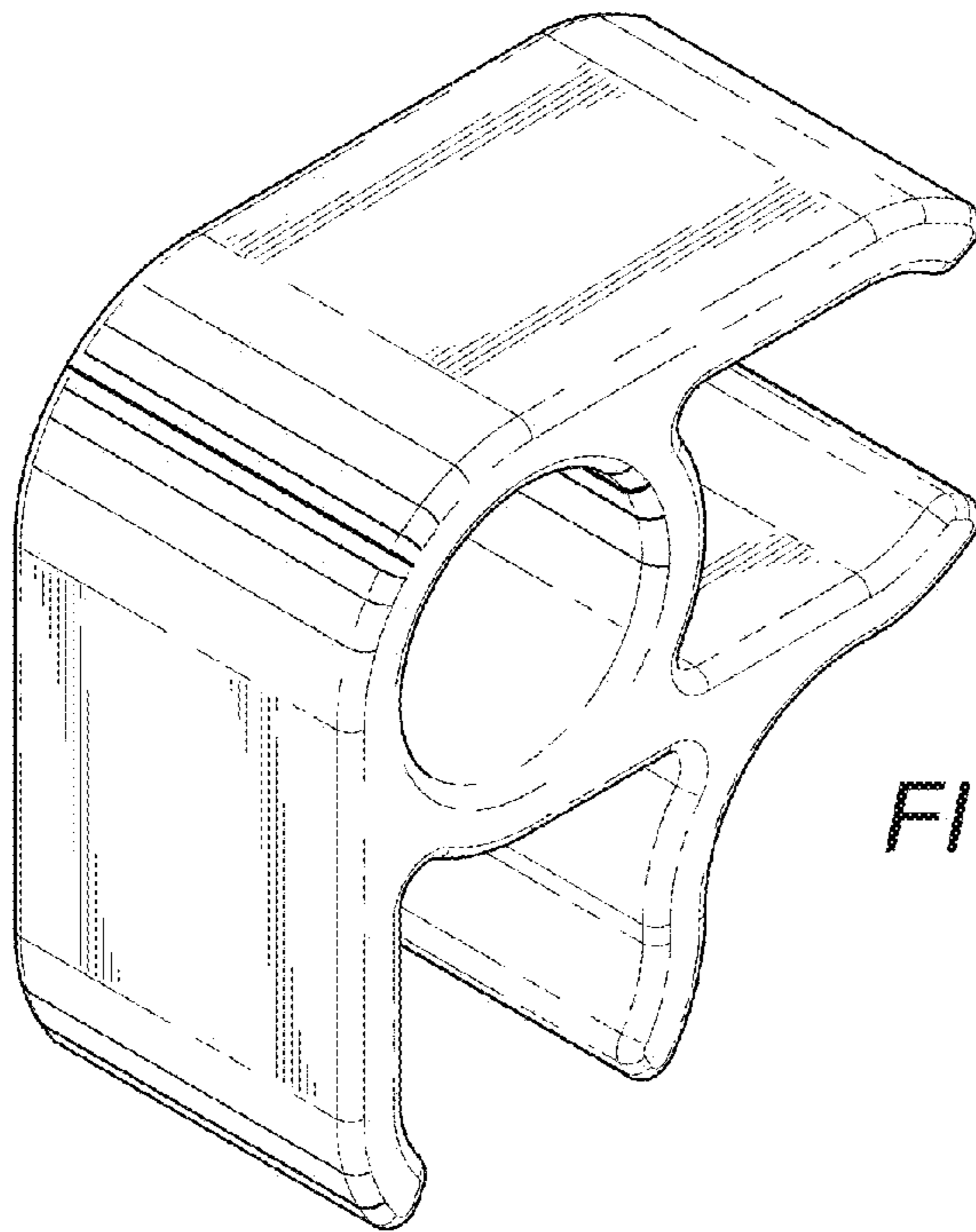


FIG. 1

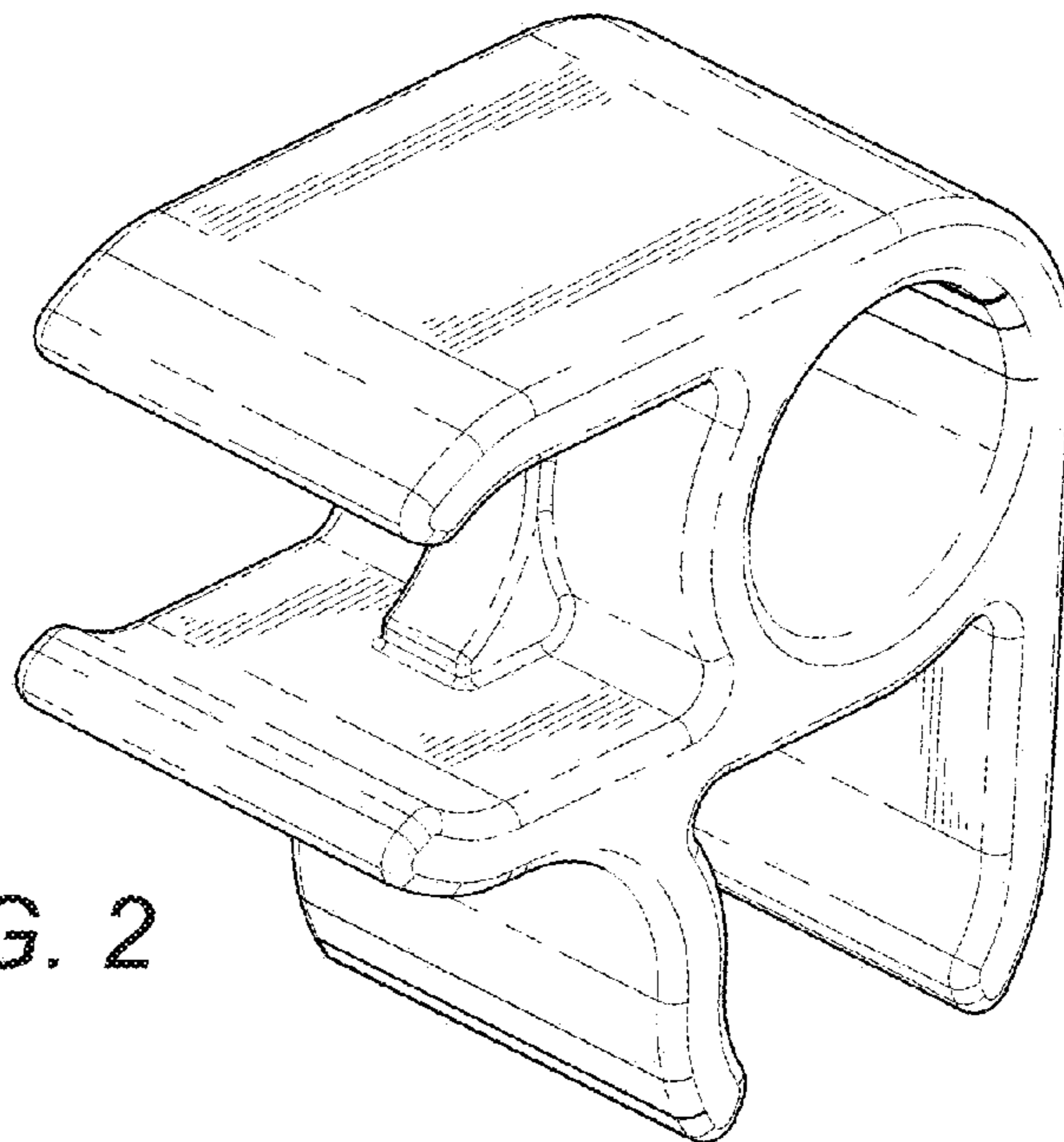


FIG. 2

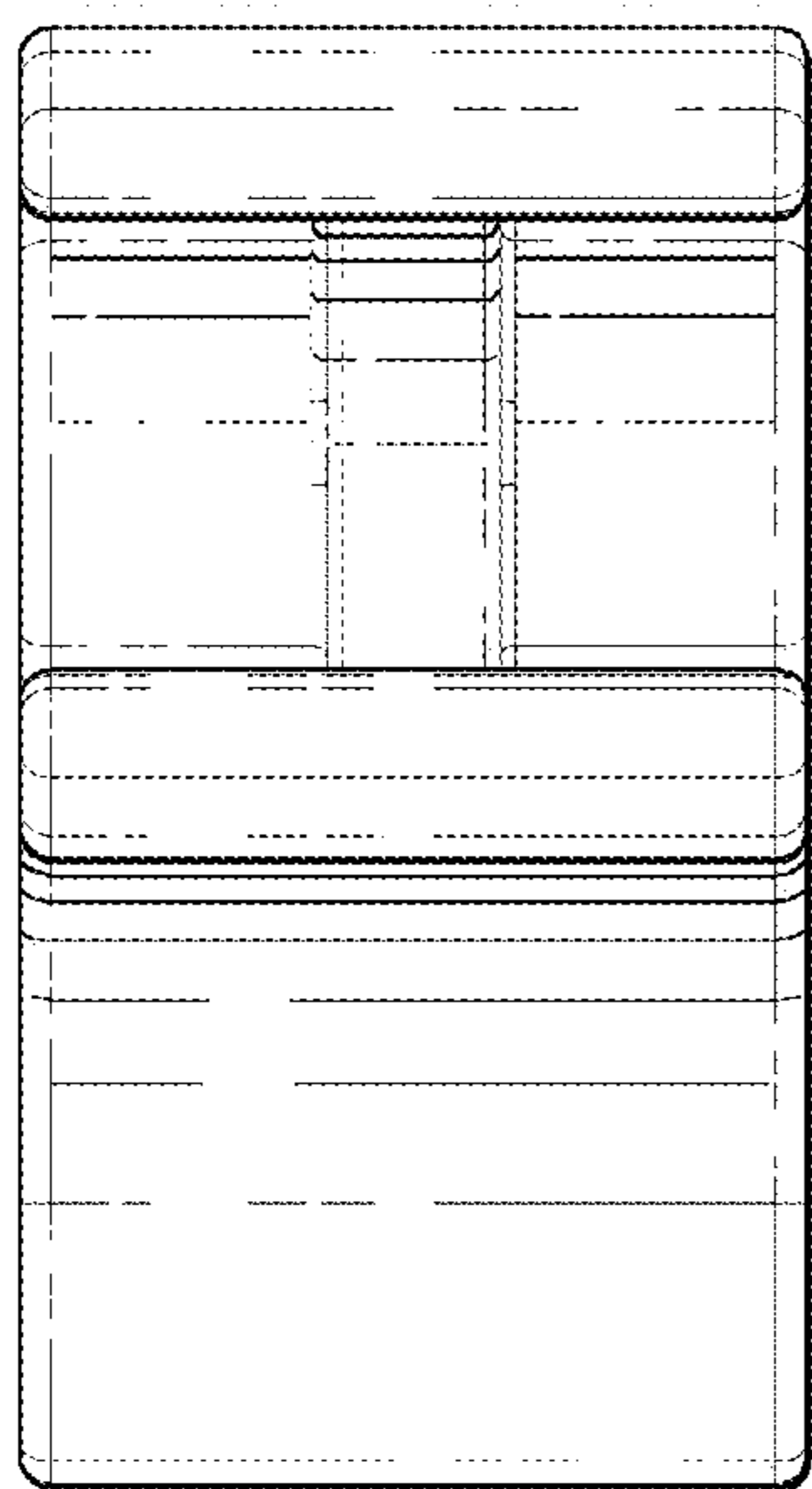


FIG. 3

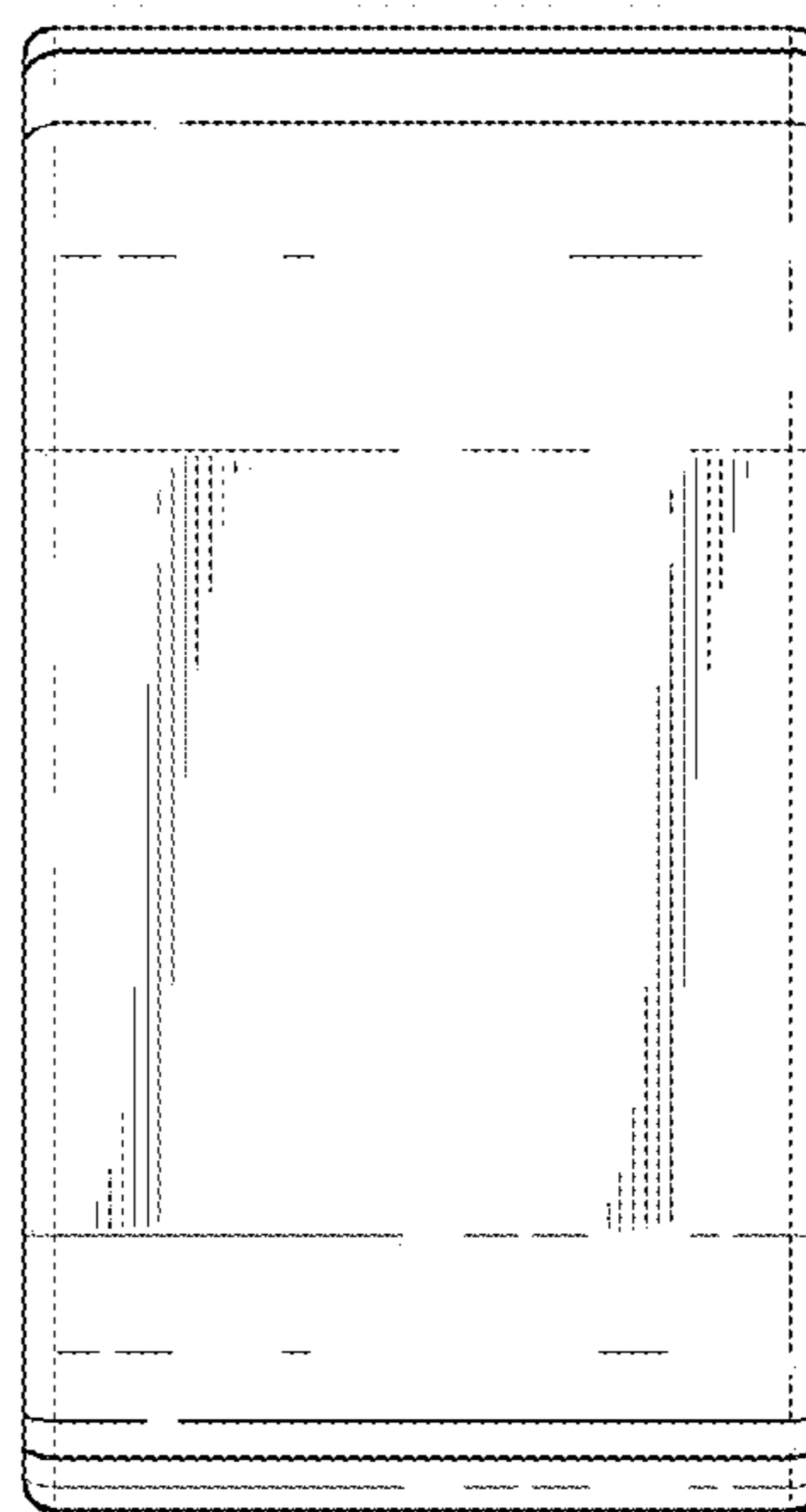


FIG. 4

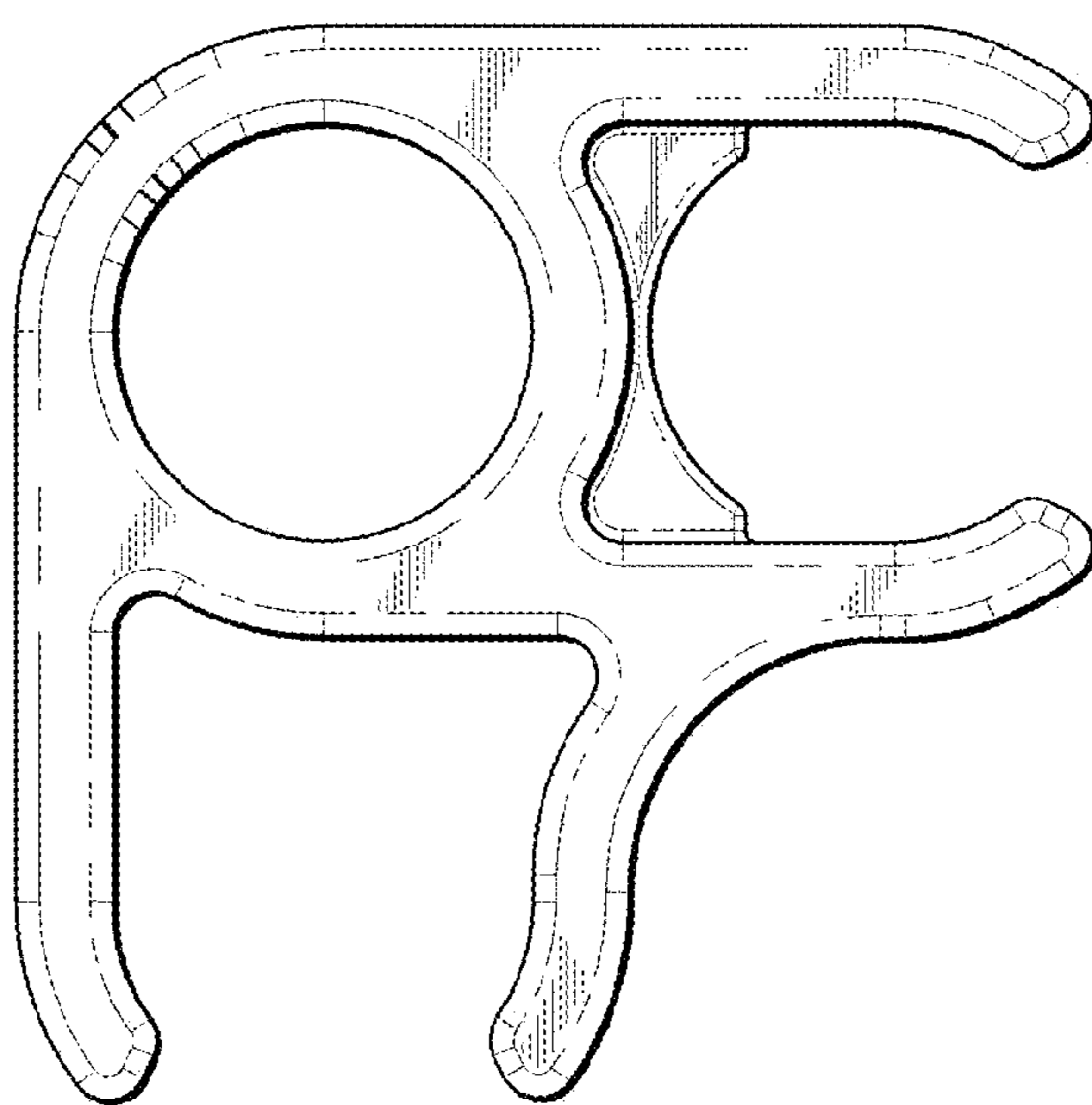


FIG. 5

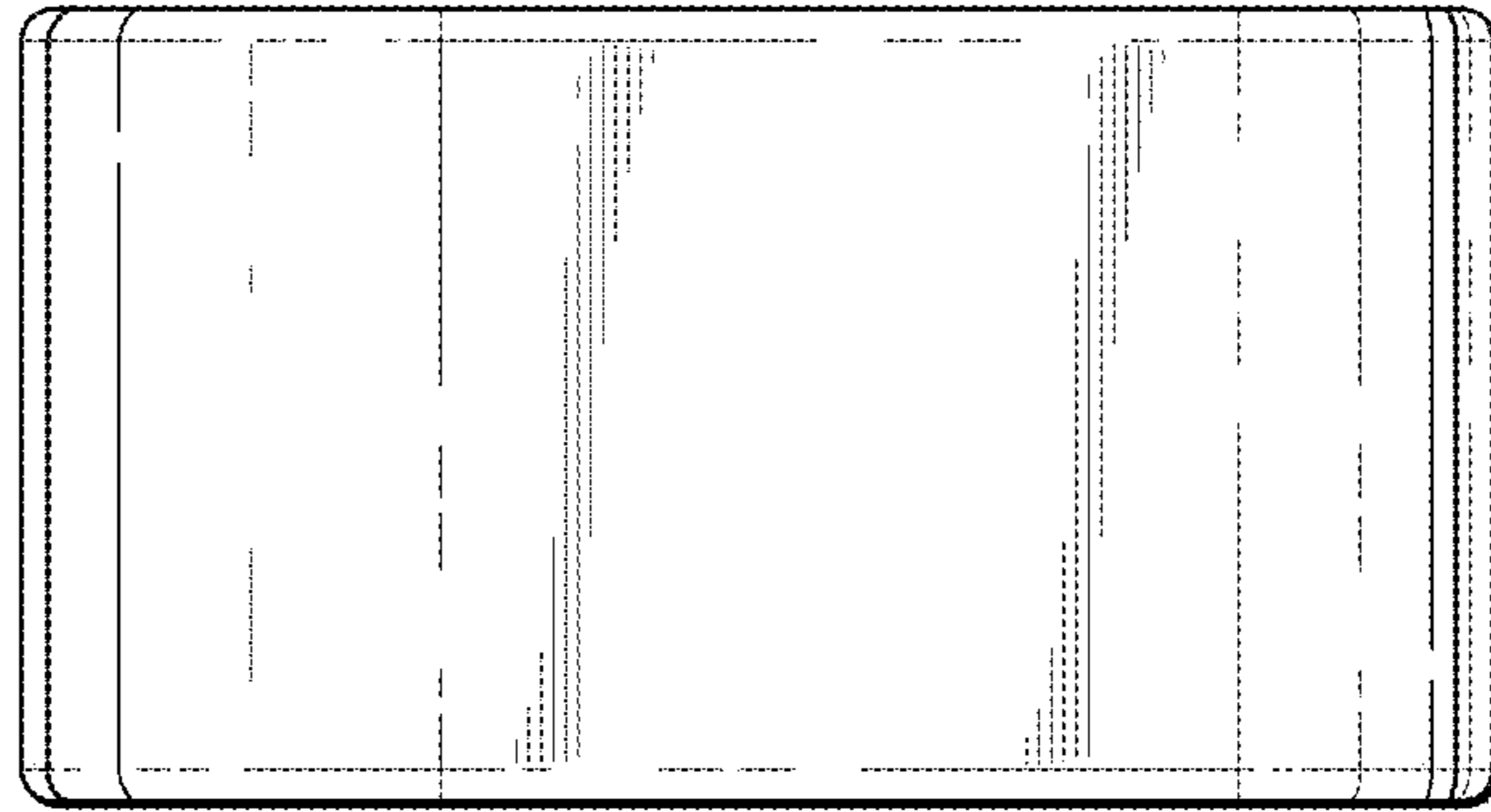


FIG. 6

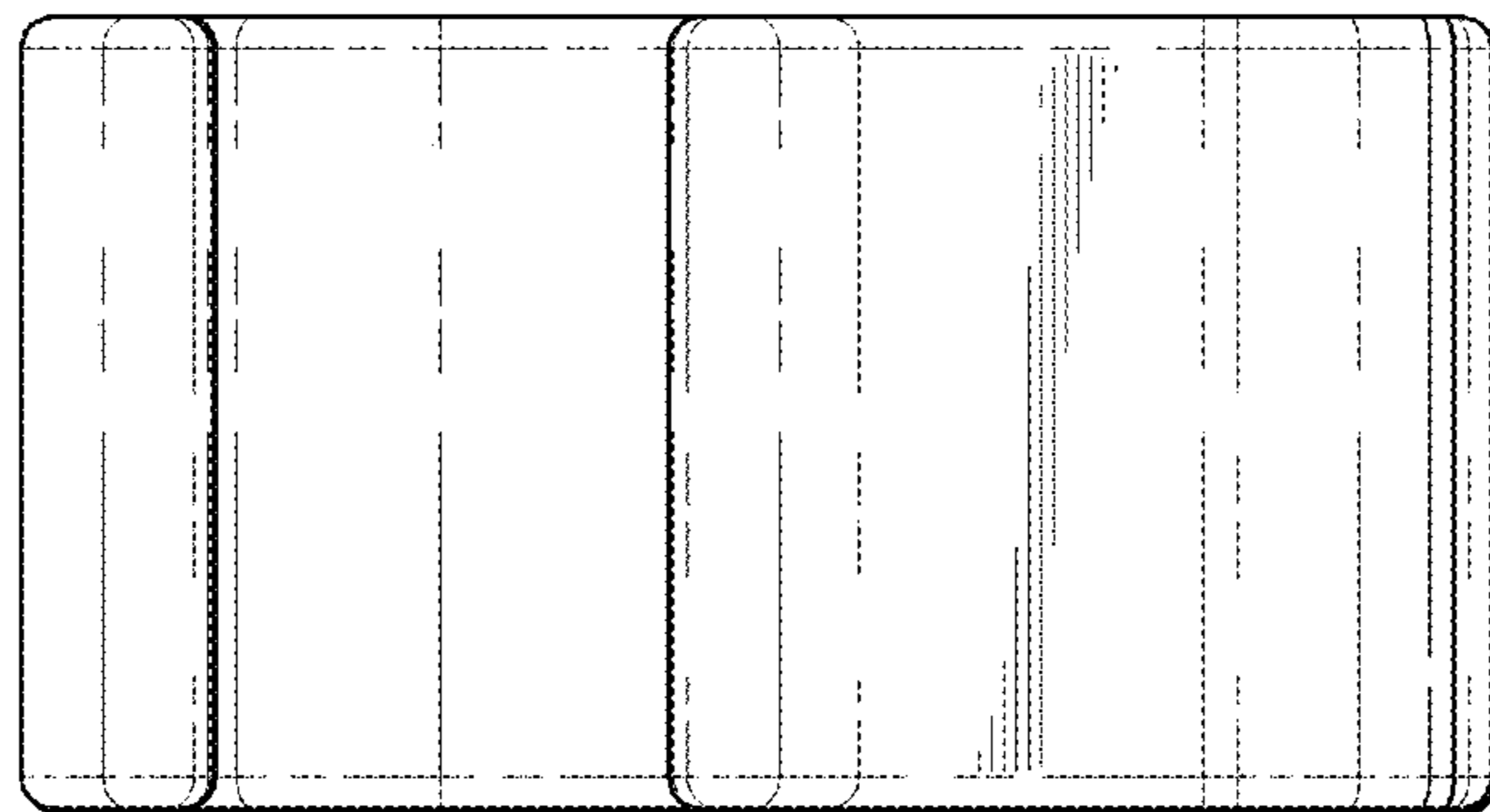


FIG. 7