



US00D741700S

(12) **United States Design Patent**
Mock

(10) **Patent No.:** **US D741,700 S**

(45) **Date of Patent:** **** Oct. 27, 2015**

- (54) **SPLIT LOCKING SLEEVE**
- (71) Applicant: **EDT Corp.**, Vancouver, WA (US)
- (72) Inventor: **Randy Mock**, Beaverton, OR (US)
- (73) Assignee: **EDT Corp.**, Vancouver, WA (US)
- (**) Term: **14 Years**
- (21) Appl. No.: **29/471,944**
- (22) Filed: **Nov. 6, 2013**

Related U.S. Application Data

- (63) Continuation of application No. 12/565,603, filed on Sep. 23, 2009, now abandoned.
- (51) **LOC (10) Cl.** **08-08**
- (52) **U.S. Cl.**
USPC **D8/396**
- (58) **Field of Classification Search**
USPC D8/394–396, 399; D23/262, 265, 266;
384/276, 280, 281; 403/344, 290, 19;
24/16 R, 274 R, 279; 285/252, 253, 364,
285/406–410, 417, 420; 248/74.1–74.4
CPC F16C 33/12; F16C 9/04; F16D 1/0864;
F16L 33/08; F16L 3/233; F16L 33/04; F16L
33/02; F16L 23/036; F16L 3/12; F16L 3/13;
F16L 3/10
See application file for complete search history.

(56) **References Cited**

U.S. PATENT DOCUMENTS

- 111,152 A * 1/1871 Smith et al. 403/312
- 1,116,845 A * 11/1914 Rogers et al. 384/538

(Continued)

OTHER PUBLICATIONS

“ALL-ROUND® Supreme Locking Sleeves: Standard and ER Series—316 Stainless Steel,” Product Catalog, EDT Corp., Vancouver, Wash., available as early as Apr. 27, 2008, p. F-9.

(Continued)

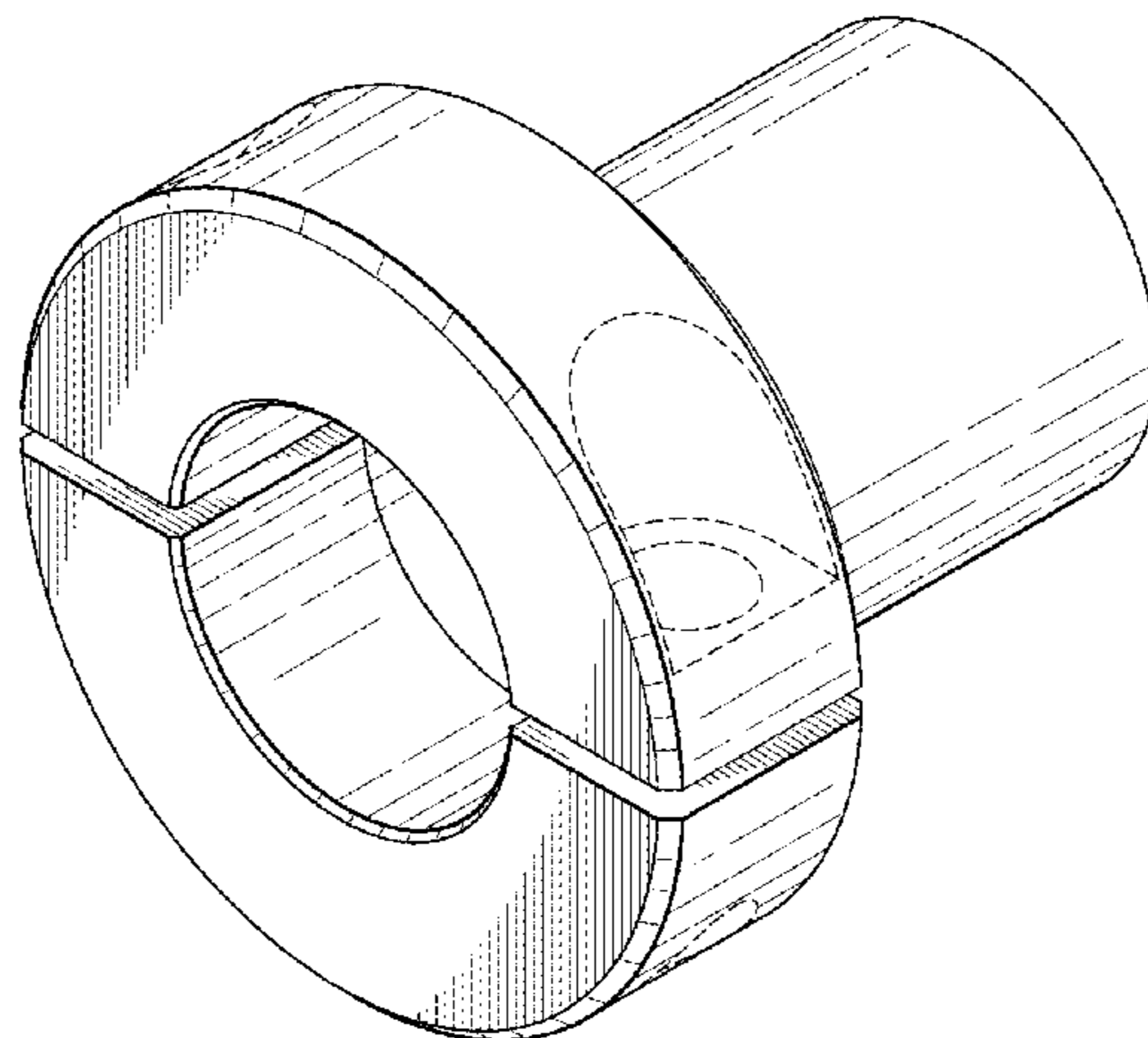
Primary Examiner — John Windmuller
Assistant Examiner — Steven Czyz
 (74) *Attorney, Agent, or Firm* — Christensen O’Connor Johnson Kindness PLLC

(57) **CLAIM**
 The ornamental design for a split locking sleeve, as shown and described.

DESCRIPTION

FIG. 1 is a perspective view of a split locking sleeve showing my new design;
 FIG. 2 is a top plan view of the split locking sleeve of FIG. 1;
 FIG. 3 is a bottom plan view of the split locking sleeve of FIG. 1;
 FIG. 4 is a front elevation view of the split locking sleeve of FIG. 1;
 FIG. 5 is a rear elevation view of the split locking sleeve of FIG. 1;
 FIG. 6 is a left side elevation view of the split locking sleeve of FIG. 1;
 FIG. 7 is a right side elevation view of the split locking sleeve of FIG. 1;
 FIG. 8 is a perspective view of a split locking sleeve according to a second embodiment of my new design;
 FIG. 9 is a top plan view of the split locking sleeve of FIG. 8;
 FIG. 10 is a bottom plan view of the split locking sleeve of FIG. 8;
 FIG. 11 is a front elevation view of the split locking sleeve of FIG. 8;
 FIG. 12 is a rear elevation view of the split locking sleeve of FIG. 8;
 FIG. 13 is a left side elevation view of the split locking sleeve of FIG. 8; and,
 FIG. 14 is a right side elevation view of the split locking sleeve of FIG. 8.
 The subject matter shown in broken lines is hereby disclaimed and forms no part of the claimed design.

1 Claim, 8 Drawing Sheets



(56)

References Cited

U.S. PATENT DOCUMENTS

1,561,443 A * 11/1925 Searles 384/542
 2,098,709 A * 11/1937 Murden et al. 384/541
 2,269,821 A * 1/1942 Kempfert et al. 474/170
 3,042,433 A * 7/1962 Koen 403/19
 3,139,296 A * 6/1964 Greene 403/373
 3,276,828 A * 10/1966 Mansfield 384/585
 3,307,418 A * 3/1967 Greene 74/434
 4,403,814 A * 9/1983 Koss et al. 384/541
 4,537,519 A * 8/1985 LaRou et al. 384/478
 4,728,202 A * 3/1988 LaRou 384/537
 4,790,586 A * 12/1988 Stoner, Jr. 294/57
 D309,094 S * 7/1990 Donis et al. D8/354
 D310,185 S * 8/1990 Tick D11/182
 D329,013 S * 9/1992 Stoner, Jr. D8/395
 5,851,084 A * 12/1998 Nishikawa 403/344
 D422,204 S * 4/2000 Holloway et al. D8/396
 D448,280 S * 9/2001 Bourgerie D8/394
 6,299,359 B1 * 10/2001 Okamoto 384/537
 D516,417 S * 3/2006 Gimpel et al. D8/396
 7,037,026 B2 5/2006 Östling
 D531,016 S * 10/2006 Kobayashi D8/394
 D539,639 S * 4/2007 Nagle D8/396

D560,484 S * 1/2008 Smith D8/396
 D577,423 S * 9/2008 Dole D23/265
 D584,604 S * 1/2009 Baldwin D8/396
 D610,900 S * 3/2010 Piermayr et al. D8/394
 D614,947 S * 5/2010 Hennon D8/396
 D652,705 S * 1/2012 Stava D8/300
 D681,440 S * 5/2013 Yu D8/396
 D687,702 S * 8/2013 Yates D8/396
 D700,835 S * 3/2014 Langlois et al. D8/396
 D708,053 S * 7/2014 Marini D8/396
 D711,730 S * 8/2014 McKiernan D8/396
 2001/0010738 A1 * 8/2001 Johnson et al. 384/537
 2001/0043768 A1 11/2001 Okamoto
 2002/0131661 A1 9/2002 Johnson
 2003/0063826 A1 * 4/2003 Cevasco et al. 384/537
 2003/0169954 A1 * 9/2003 Lenick et al. 384/537
 2004/0120621 A9 6/2004 Johnson
 2012/0246920 A1 * 10/2012 Montena 29/825

OTHER PUBLICATIONS

“Ruland: Carefully Made Shaft Collars and Couplings,” Ruland Manufacturing Co., Inc., Marlborough, Mass., available as early as Apr. 27, 2008, 16-page catalog.

* cited by examiner

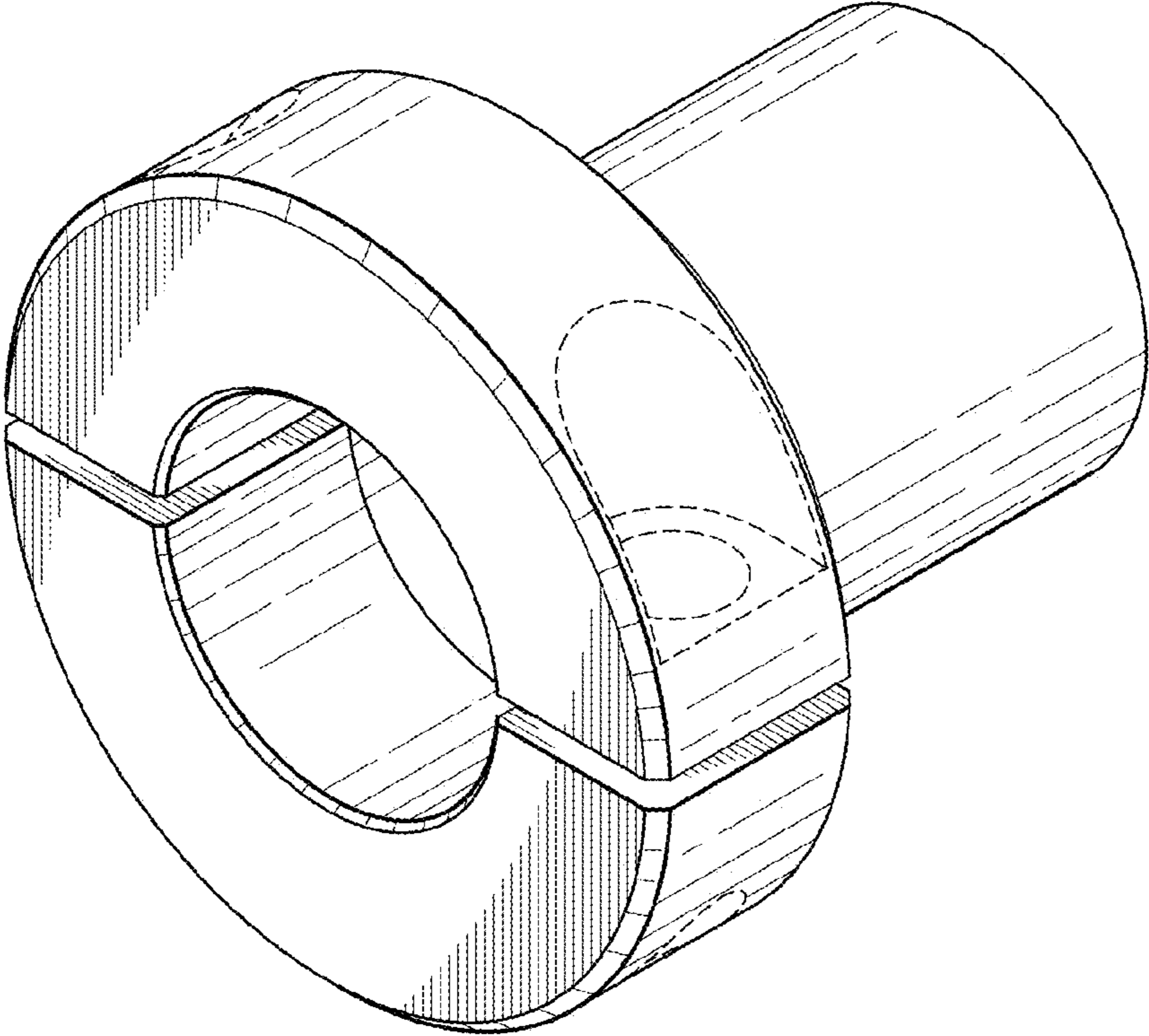


Fig. 1.

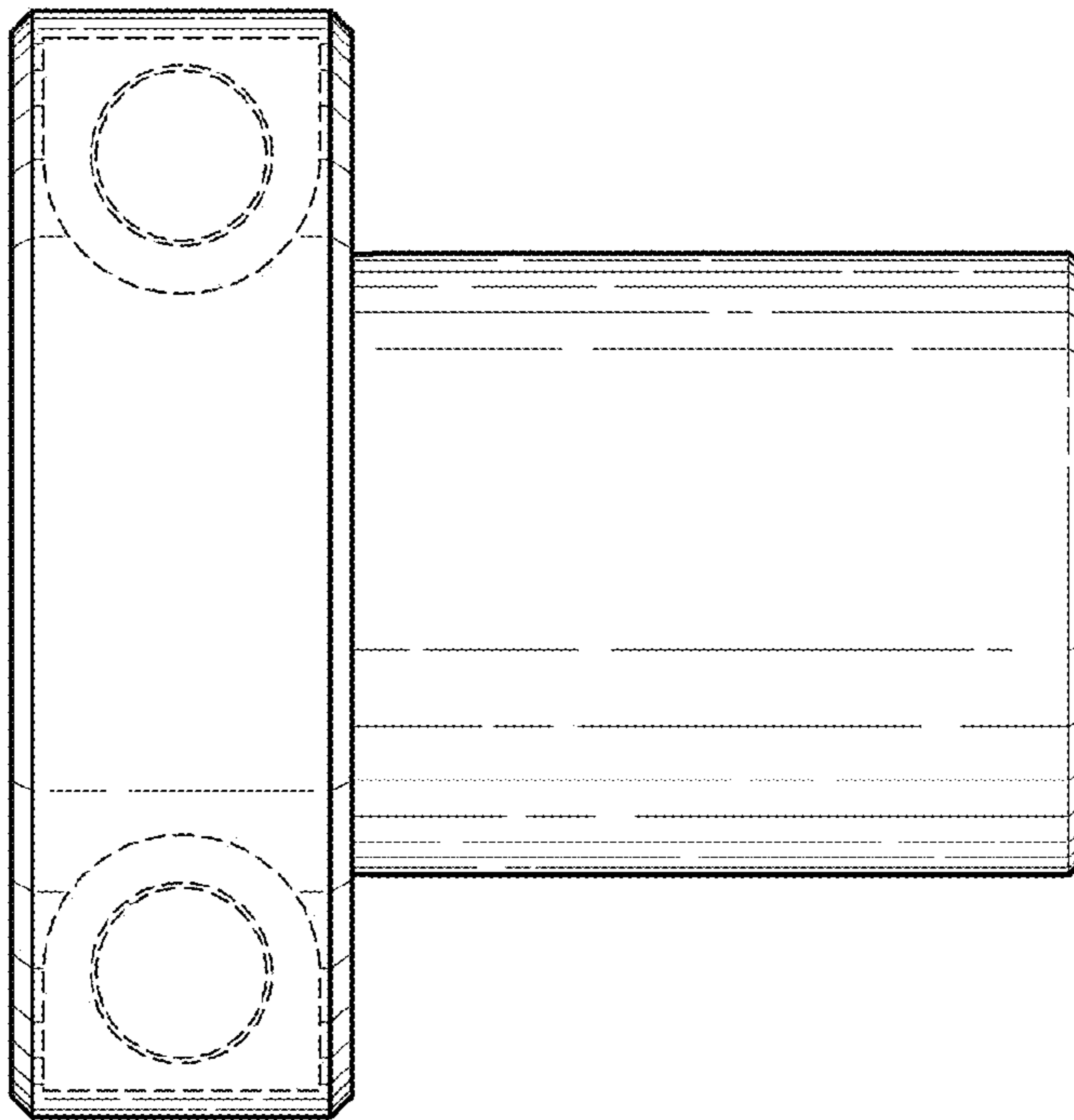


Fig. 2.

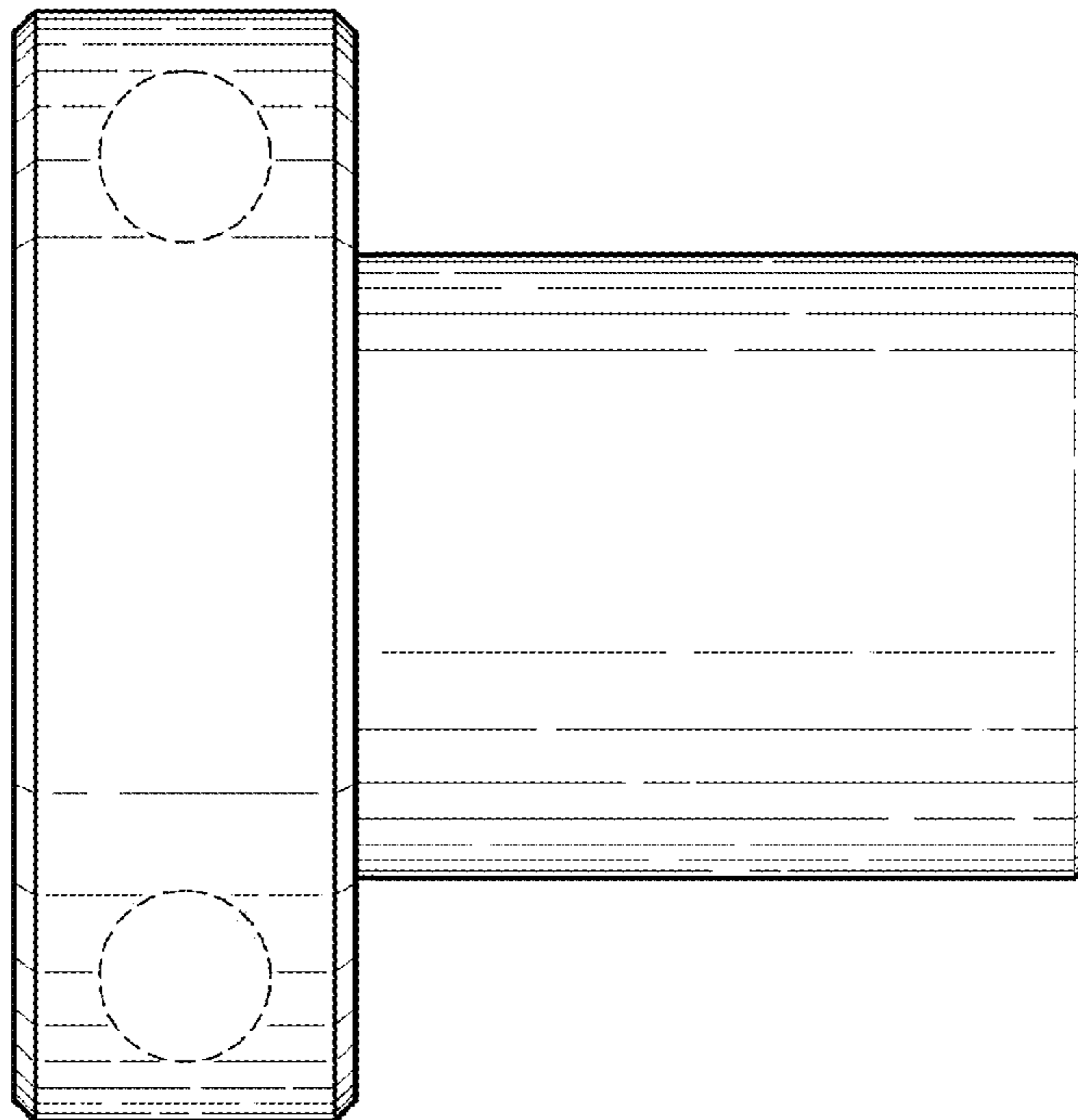


Fig. 3.

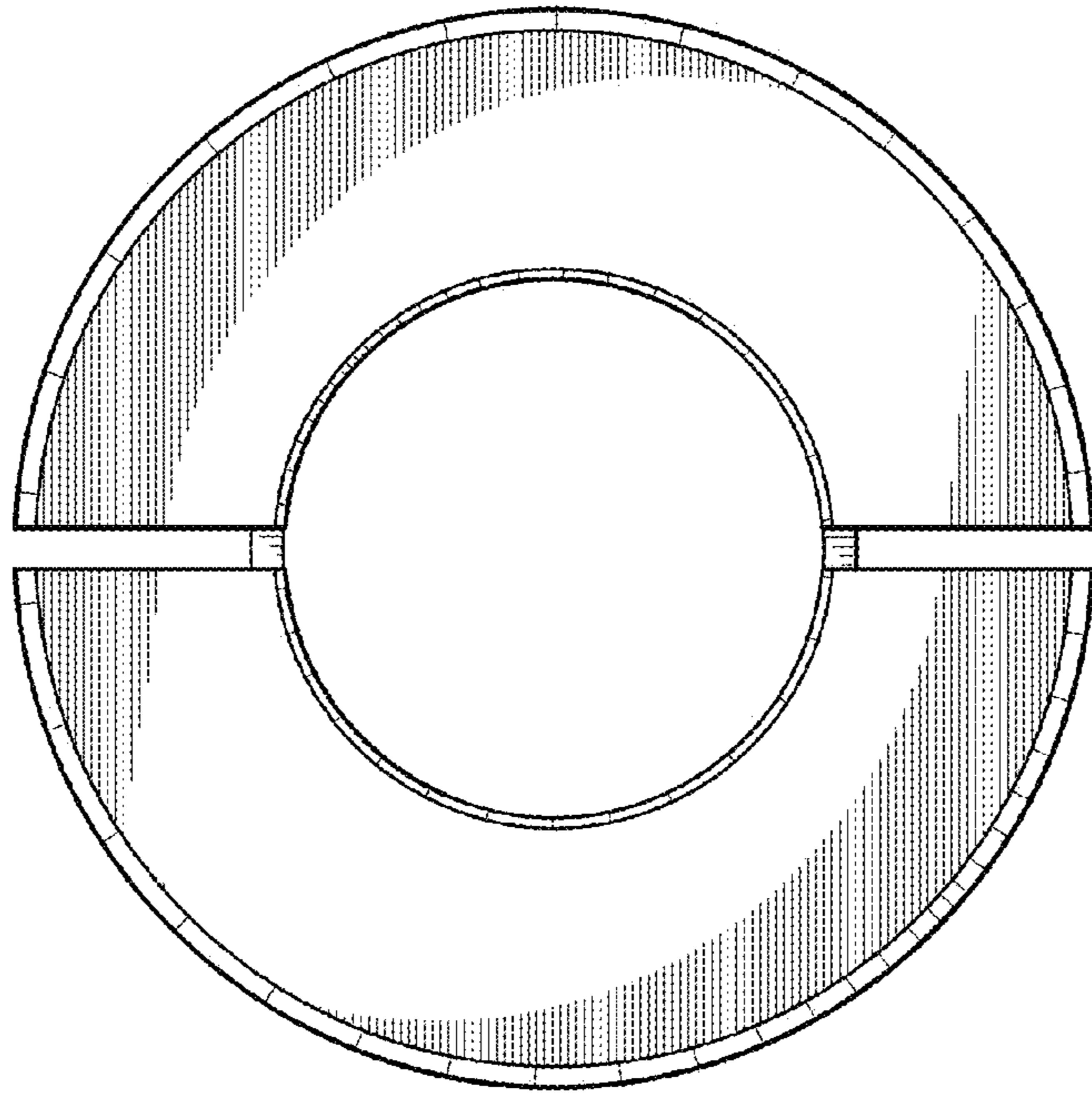


Fig. 4.

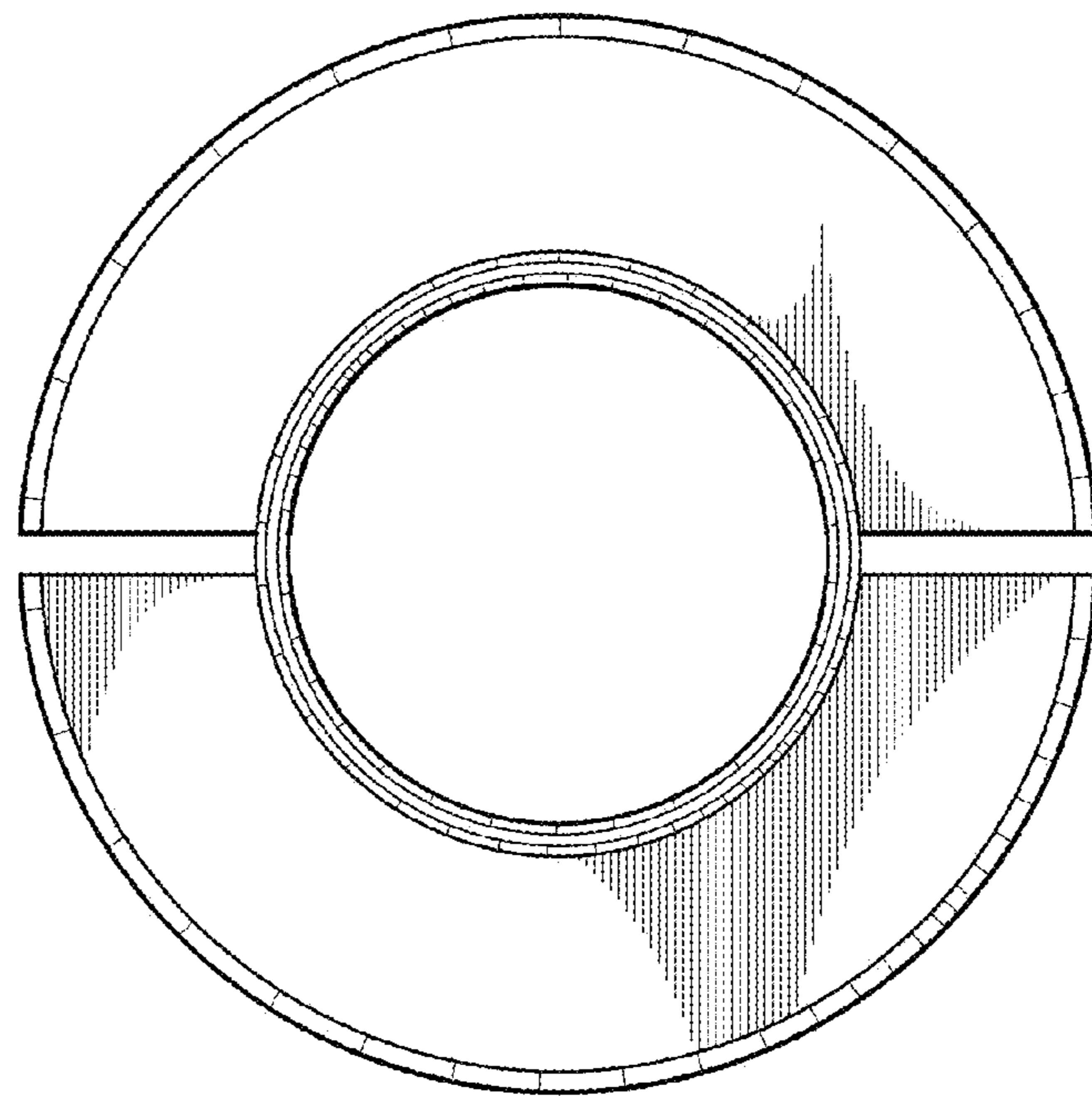


Fig. 5.

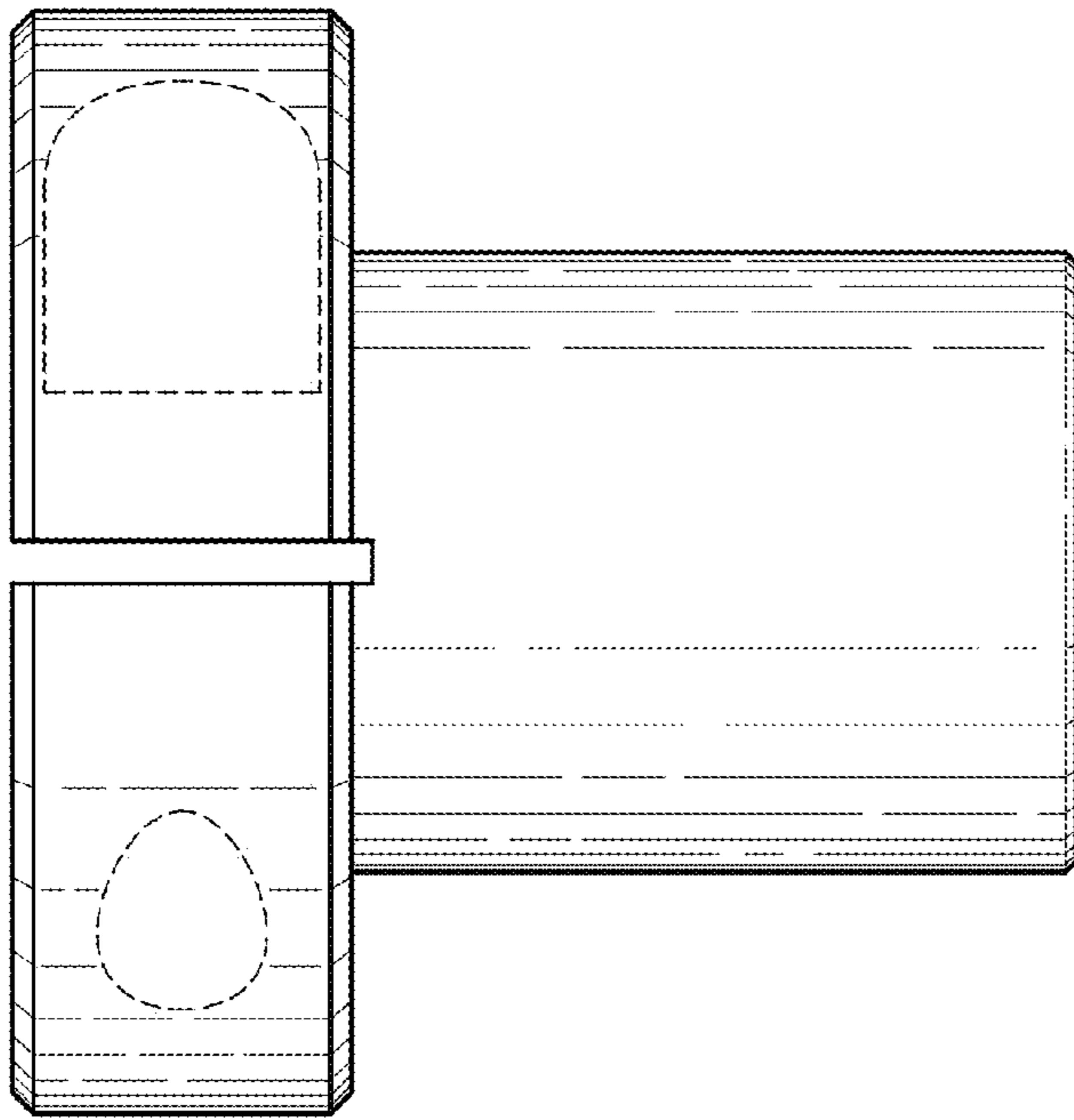


Fig. 6.

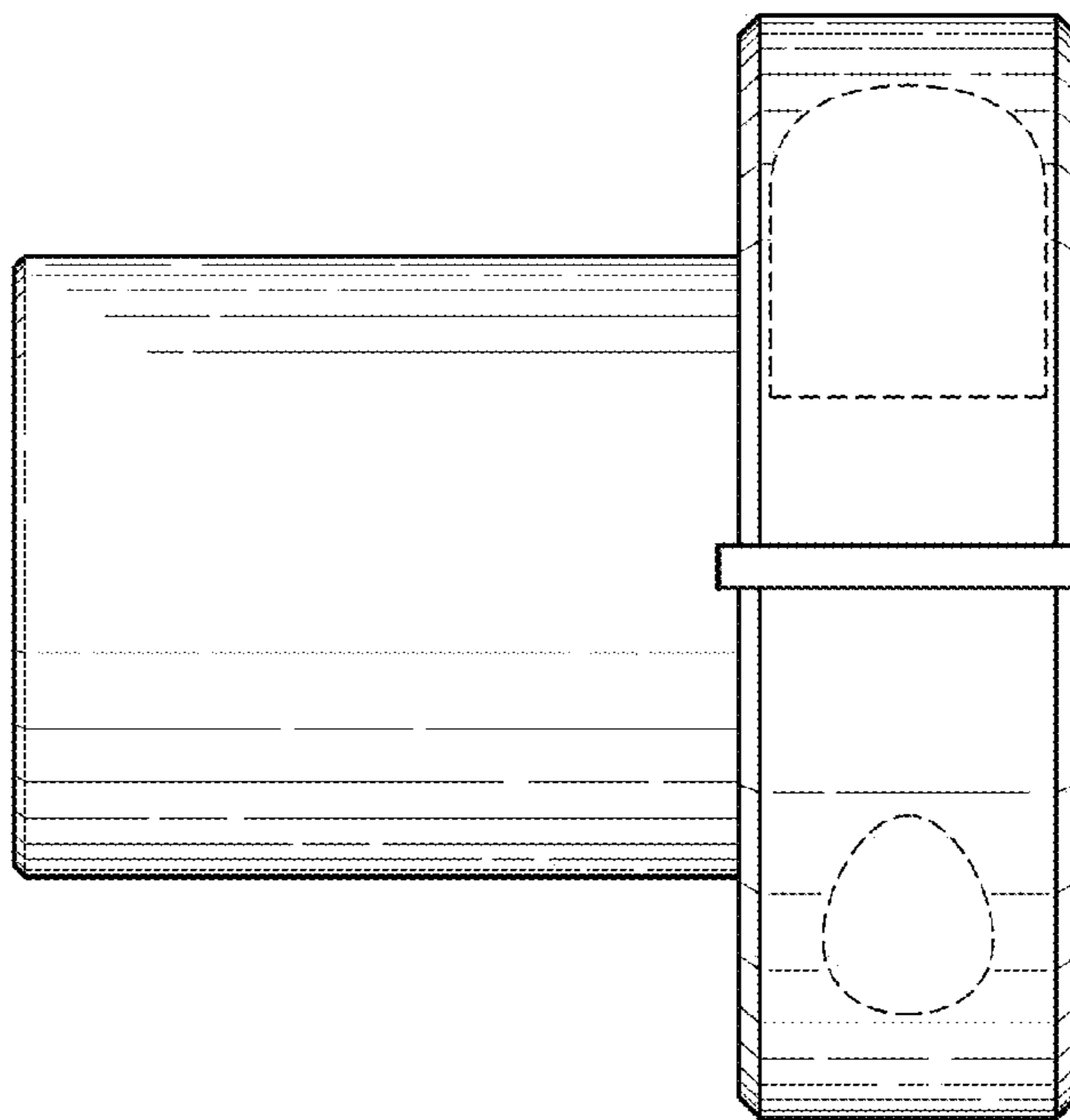


Fig. 7.

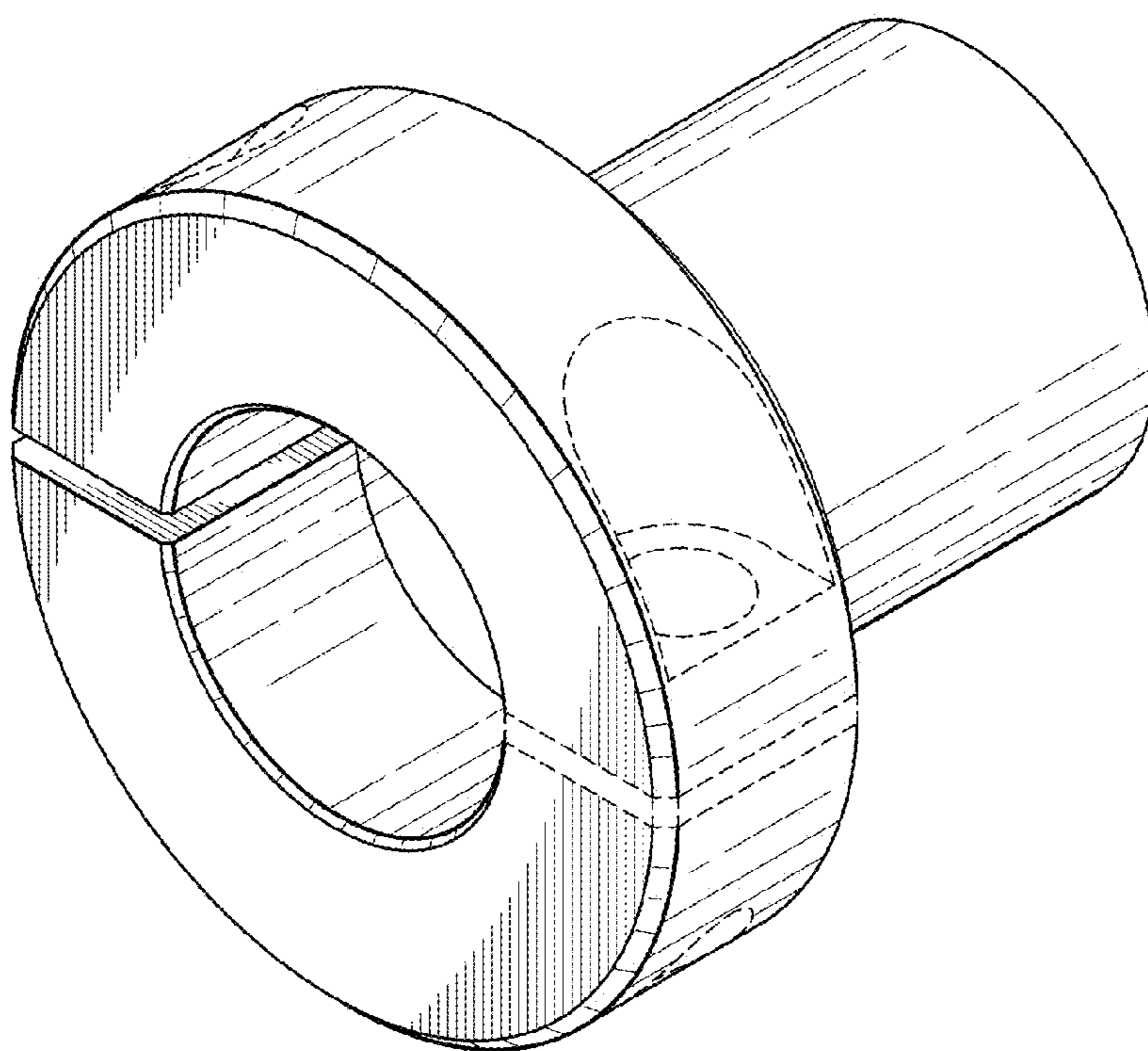


Fig. 8.

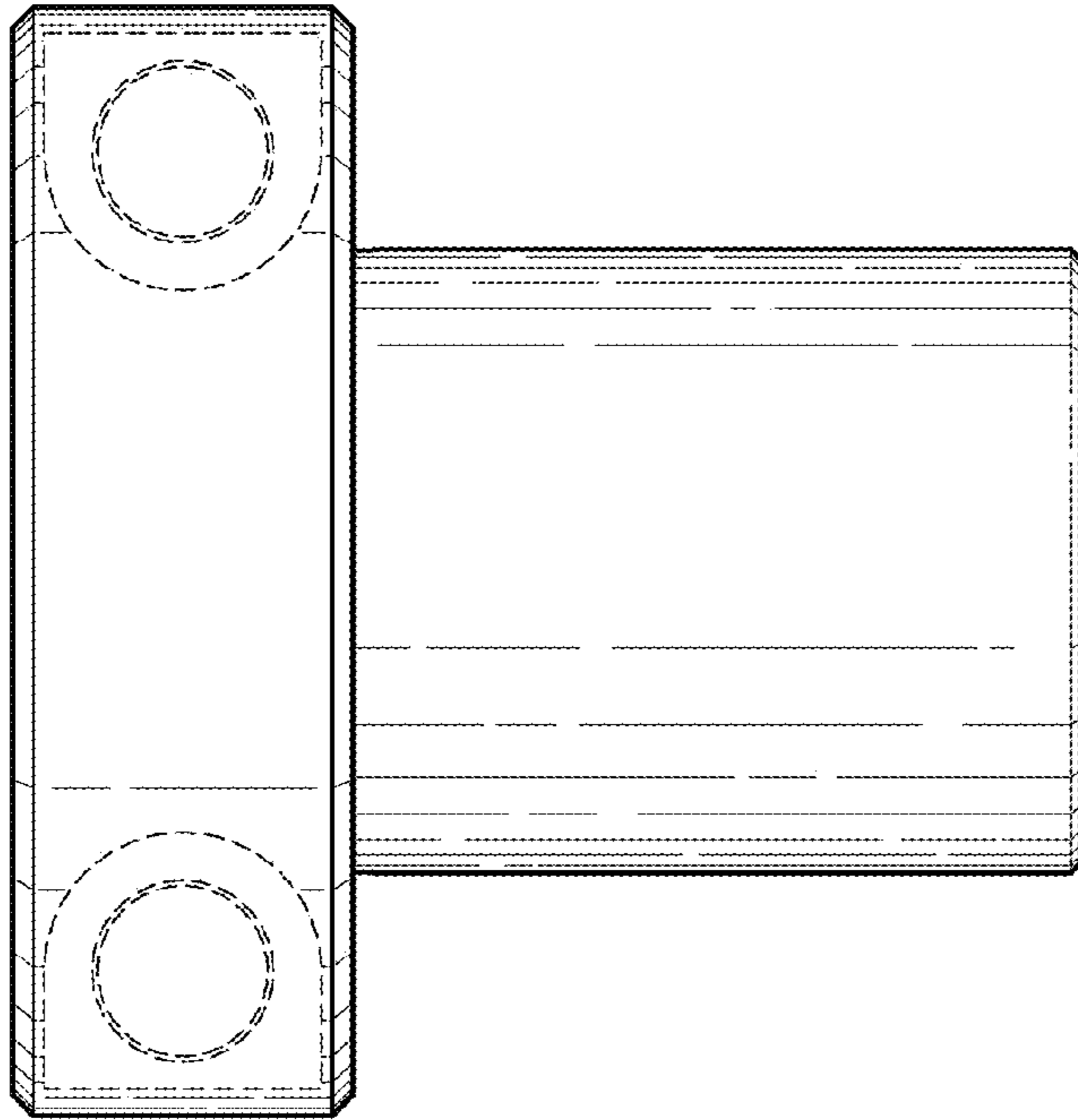


Fig. 9.

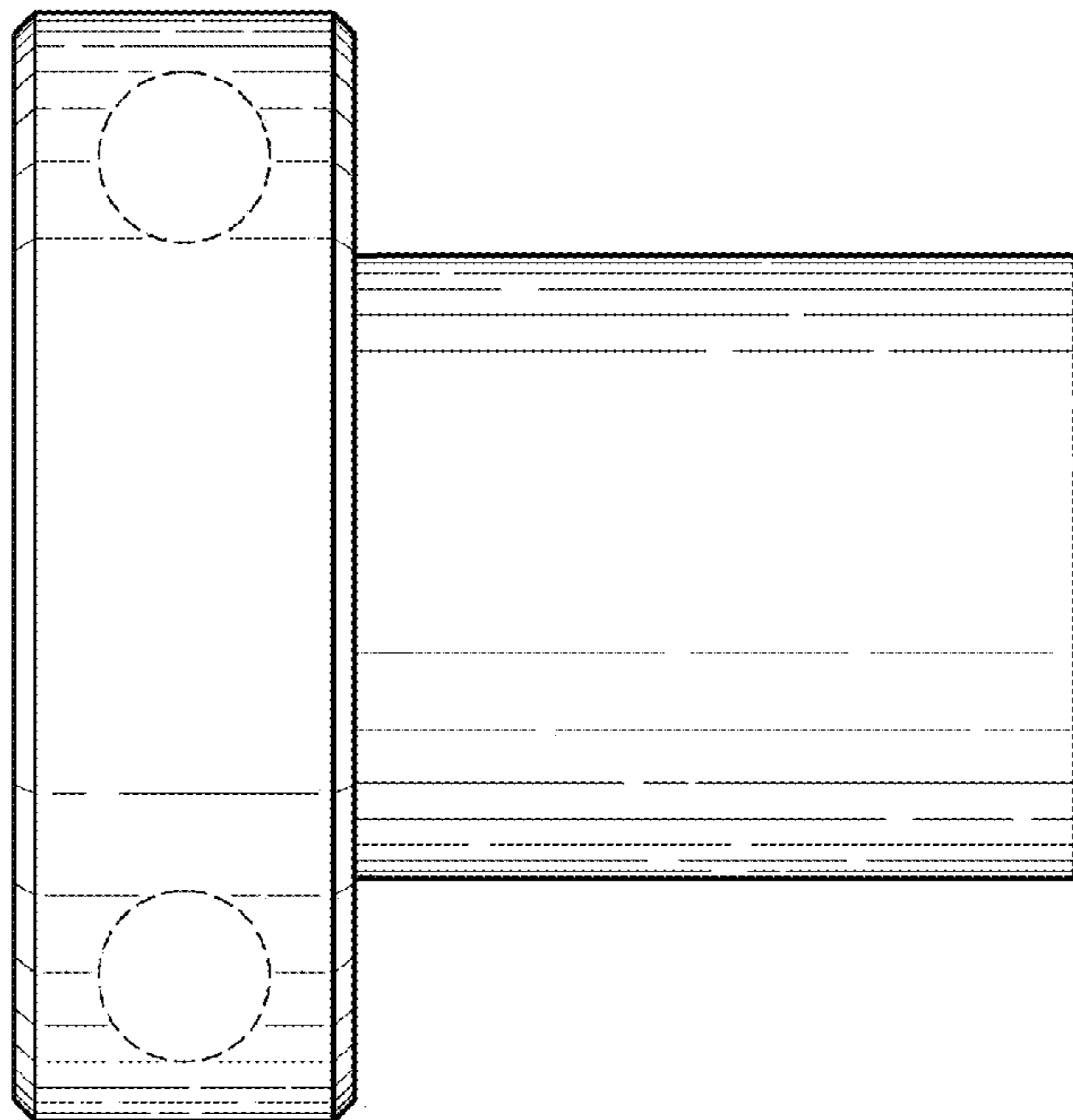


Fig. 10.

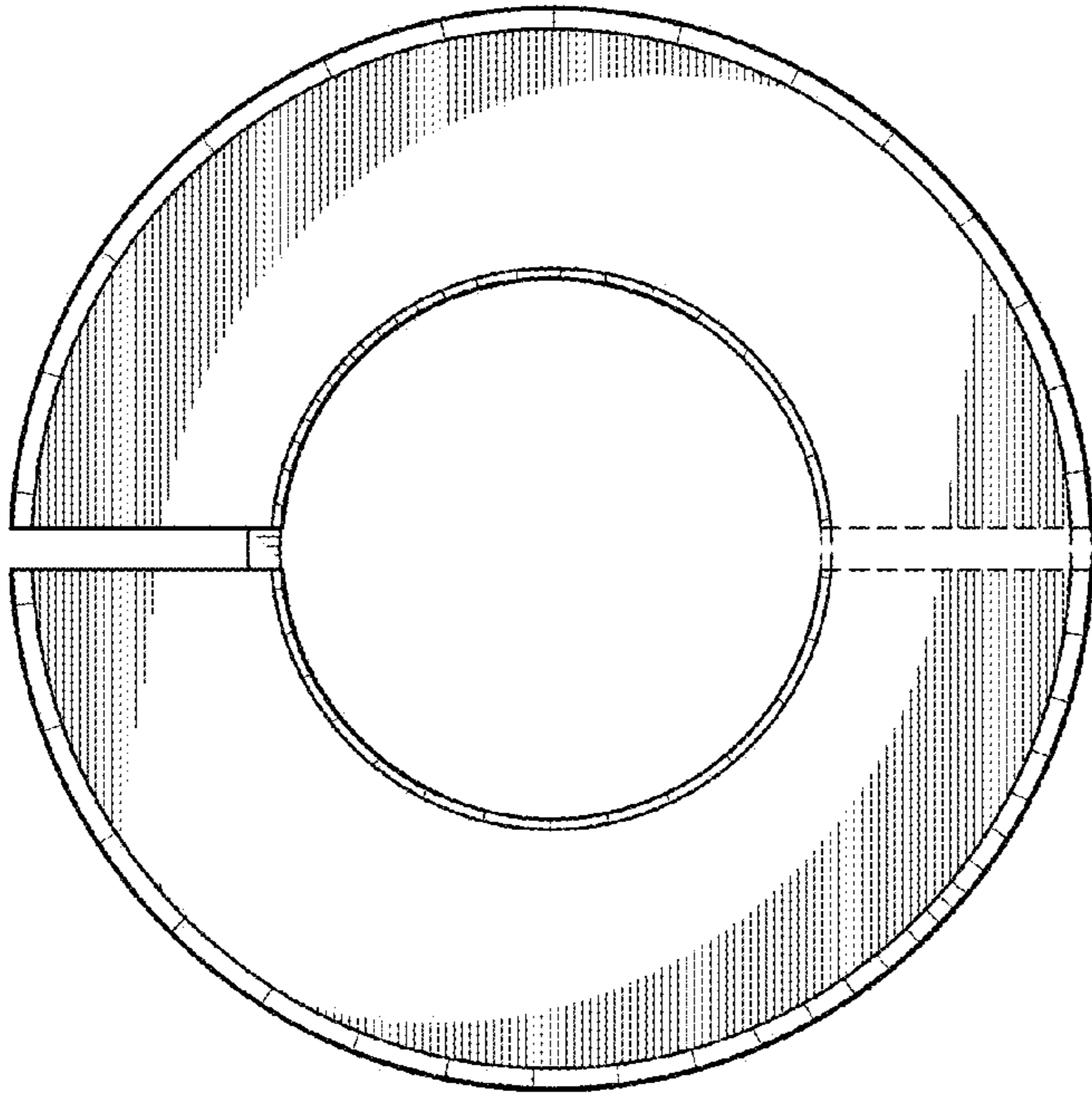


Fig. 11.

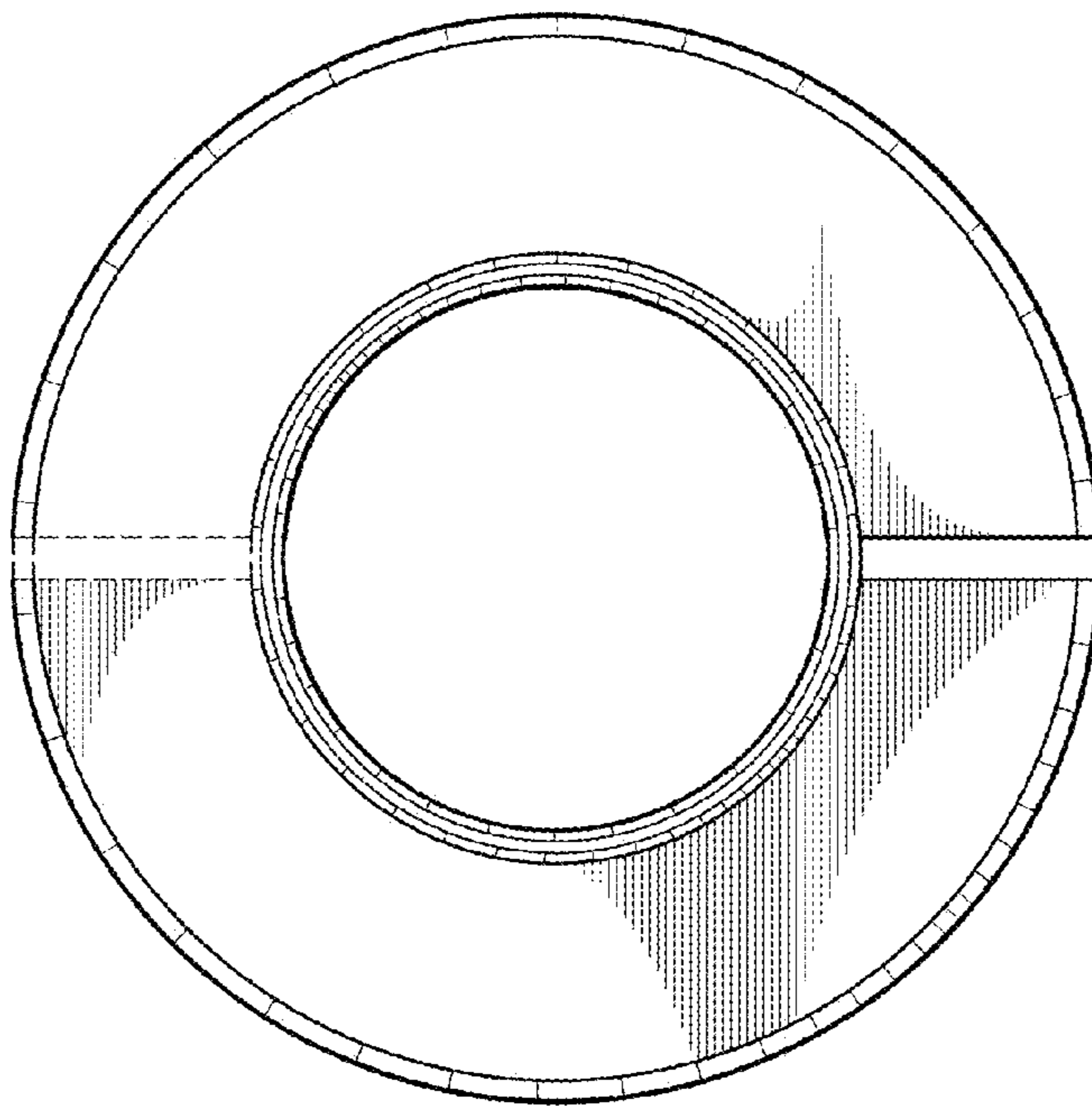


Fig. 12.

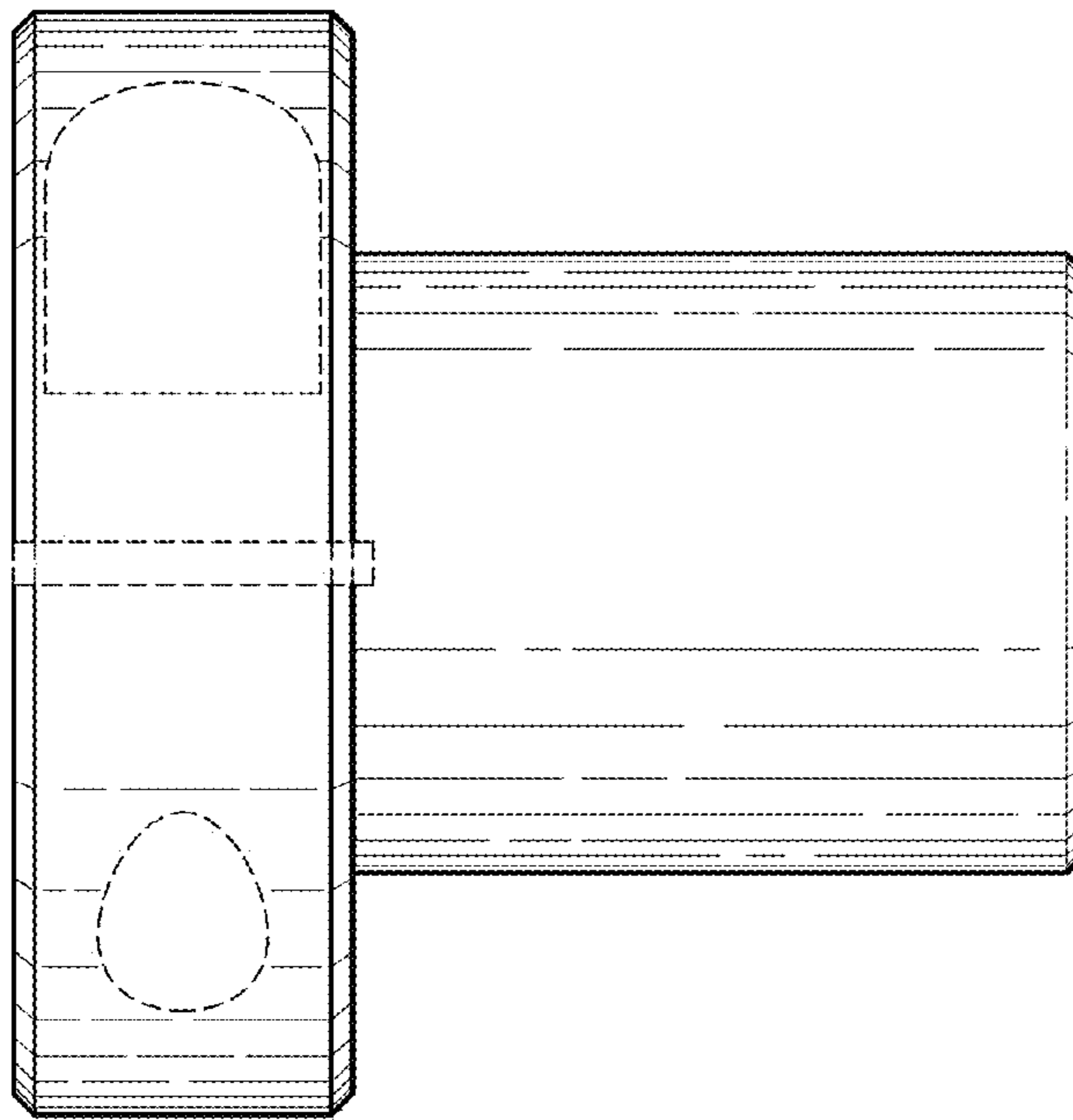


Fig. 13.

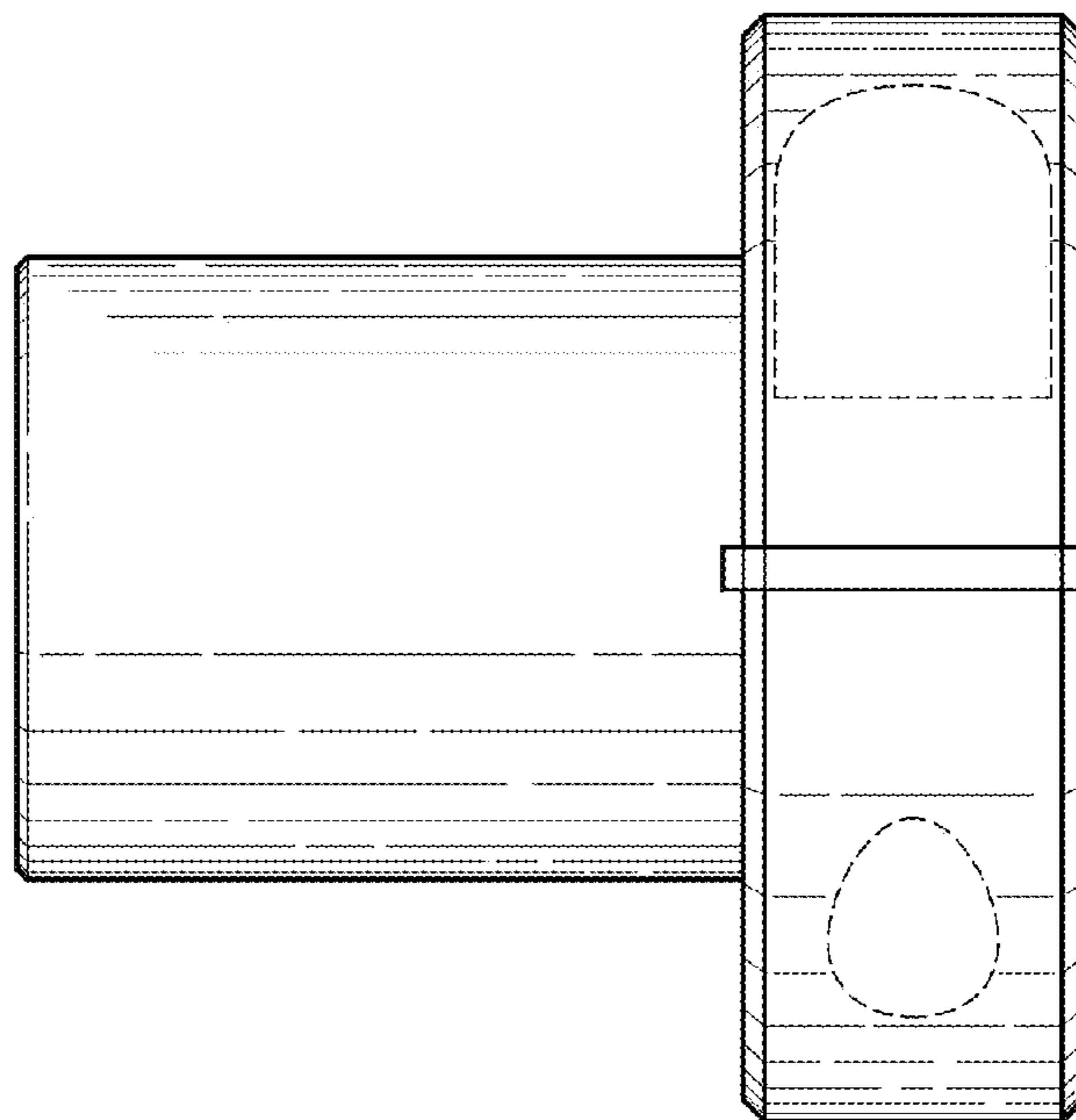


Fig. 14.