



US00D741698S

(12) **United States Design Patent**
McGrath

(10) **Patent No.:** **US D741,698 S**

(45) **Date of Patent:** **** Oct. 27, 2015**

(54) **BRACKET SUPPORT**

(71) Applicant: **Andrew H. McGrath**, Concord, CA
(US)

(72) Inventor: **Andrew H. McGrath**, Concord, CA
(US)

(**) Term: **14 Years**

(21) Appl. No.: **29/487,248**

(22) Filed: **Apr. 7, 2014**

(51) **LOC (10) Cl.** **08-08**

(52) **U.S. Cl.**
USPC **D8/382**

(58) **Field of Classification Search**
USPC D8/349, 354, 363, 373, 380, 381, 382,
D8/499, 14, 394, 321, 106
CPC F16M 11/10; F16M 11/2014; F16M
11/2021; F16L 3/12; F16L 3/127; F16L
3/123; F16B 5/0004; A47F 10/06; A47F
2010/065; A47F 2003/008; A47F 3/12
See application file for complete search history.

(56) **References Cited**

U.S. PATENT DOCUMENTS

D298,510	S	*	11/1988	Marsh	D8/394
4,811,926	A	*	3/1989	Marsh et al.	248/488
D317,710	S	*	6/1991	Sollner	D8/394
D331,358	S	*	12/1992	Sachs	D8/356
D348,386	S	*	7/1994	Cogburn	D8/373
D463,252	S	*	9/2002	Switz et al.	D8/354
D465,188	S	*	11/2002	McCoy et al.	D12/223
7,641,162	B2	*	1/2010	Tsay	248/284.1
D617,176	S	*	6/2010	Confer et al.	D8/363
7,744,042	B2	*	6/2010	Heath	248/65

D635,445	S	*	4/2011	Foresman	D8/354
D669,342	S	*	10/2012	Wach	D8/356
D690,190	S	*	9/2013	McGrath	D8/394
8,585,160	B2	*	11/2013	Atkins	312/137
8,882,289	B2	*	11/2014	Ozeki et al.	362/217.05
8,973,876	B1	*	3/2015	McGrath	248/205.1
9,010,883	B2	*	4/2015	Scott	312/137
2005/0087661	A1	*	4/2005	Rabenius	248/309.1
2012/0049035	A1	*	3/2012	Black et al.	248/425
2013/0047385	A1	*	2/2013	Healy et al.	24/572.1

* cited by examiner

Primary Examiner — Sheryl Lane

Assistant Examiner — Ieisha Price

(74) *Attorney, Agent, or Firm* — Charles L. Thoeming

(57) **CLAIM**

The ornamental design for a bracket support, as shown and described.

DESCRIPTION

FIG. 1 is a front, left perspective view of a bracket support showing my new design.

FIG. 2 is a rear view of the bracket support of FIG. 1.

FIG. 3 is a left side view of the bracket support of FIG. 1.

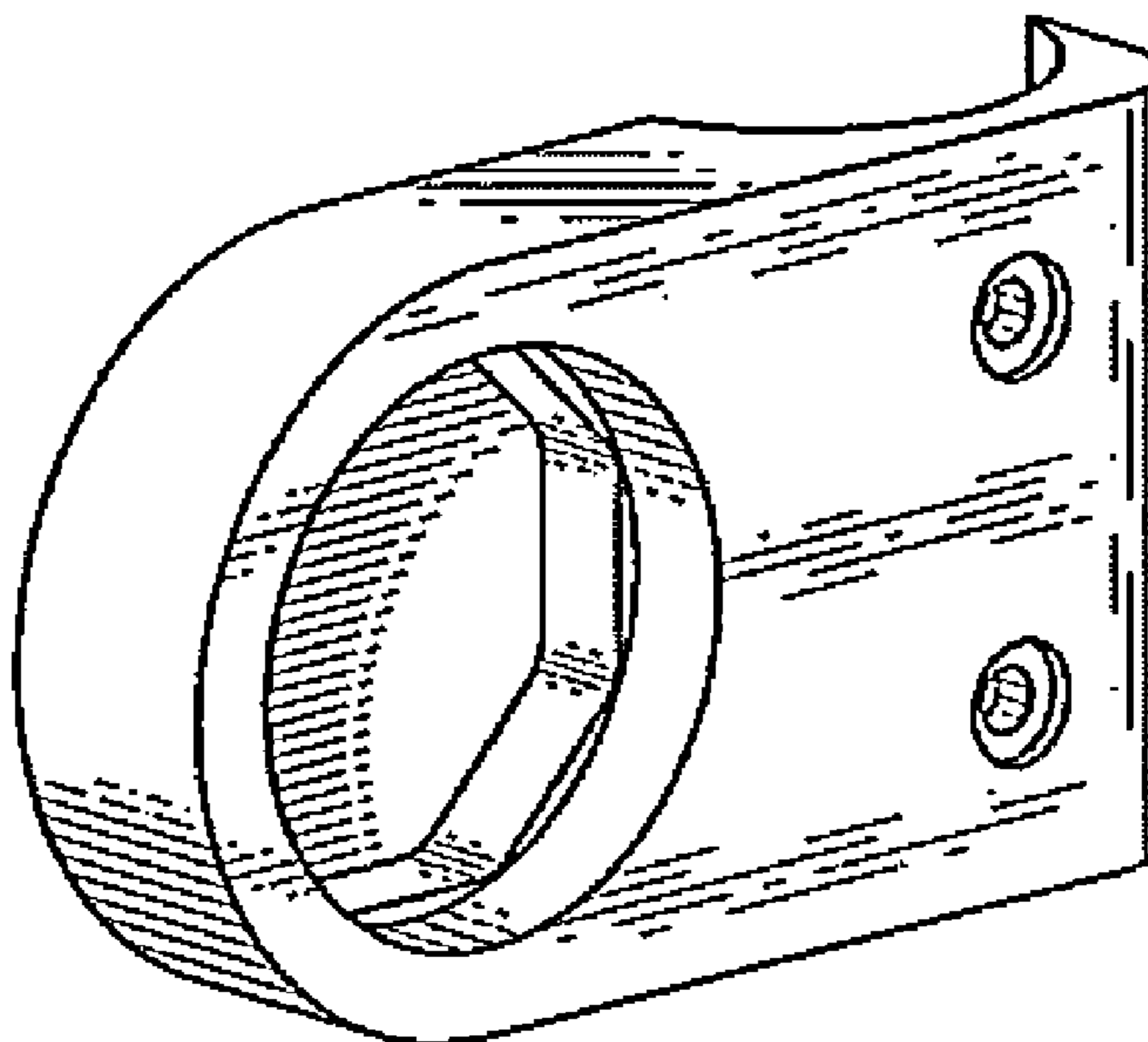
FIG. 4 is a top view of the bracket support of FIG. 1; with the bottom view being a mirror image of.

FIG. 5 is a right side, front view of the bracket support of FIG. 1.

FIG. 6 is a front view of the bracket support of FIG. 1; and, FIG. 7 is a rear, left perspective view of the bracket support of FIG. 1 shown in its environment.

The broken lines showing of a partial adjustable bracket, in FIG. 7, represent the environment of the claimed design and form no part thereof.

1 Claim, 1 Drawing Sheet



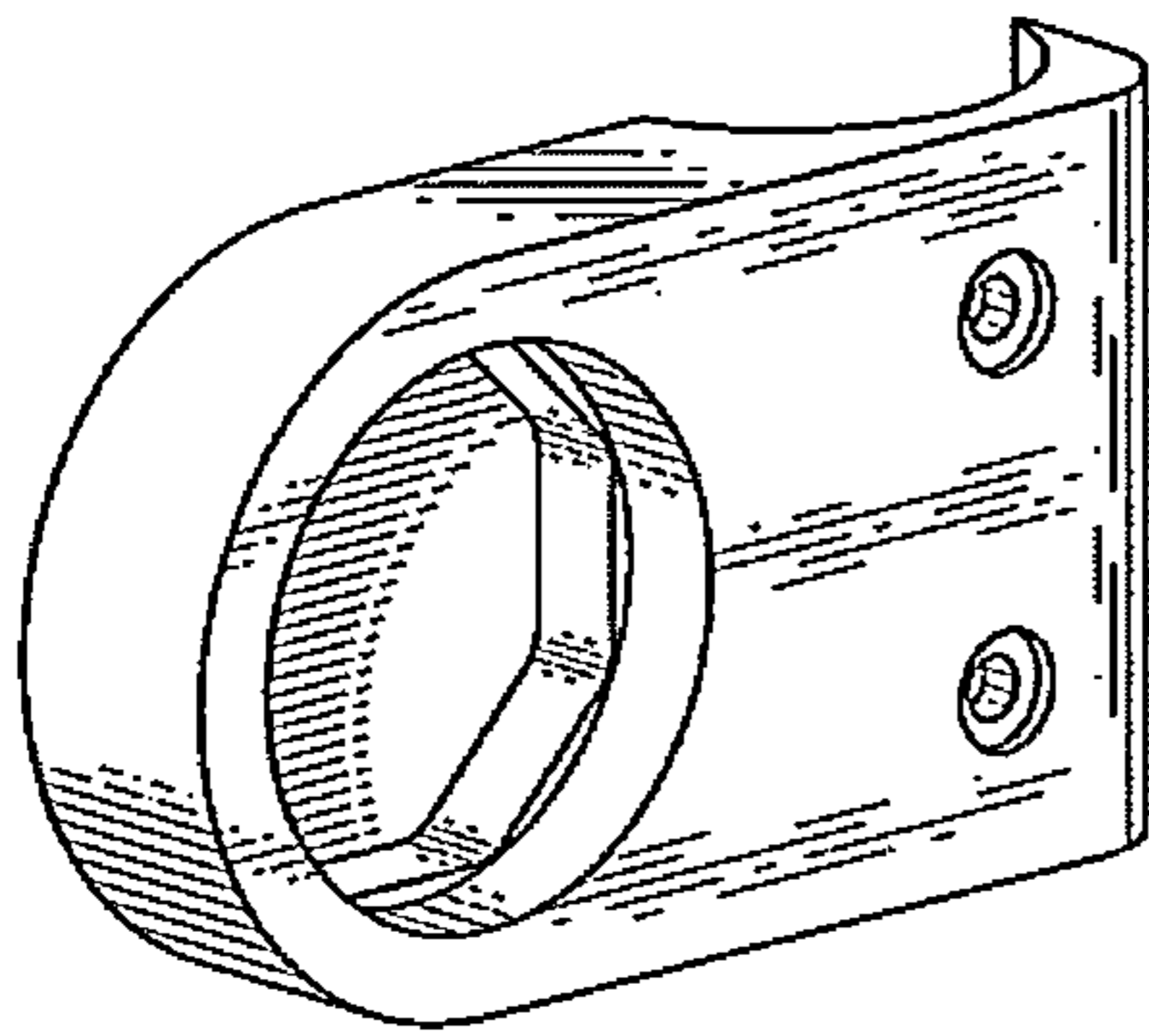


Fig. 1

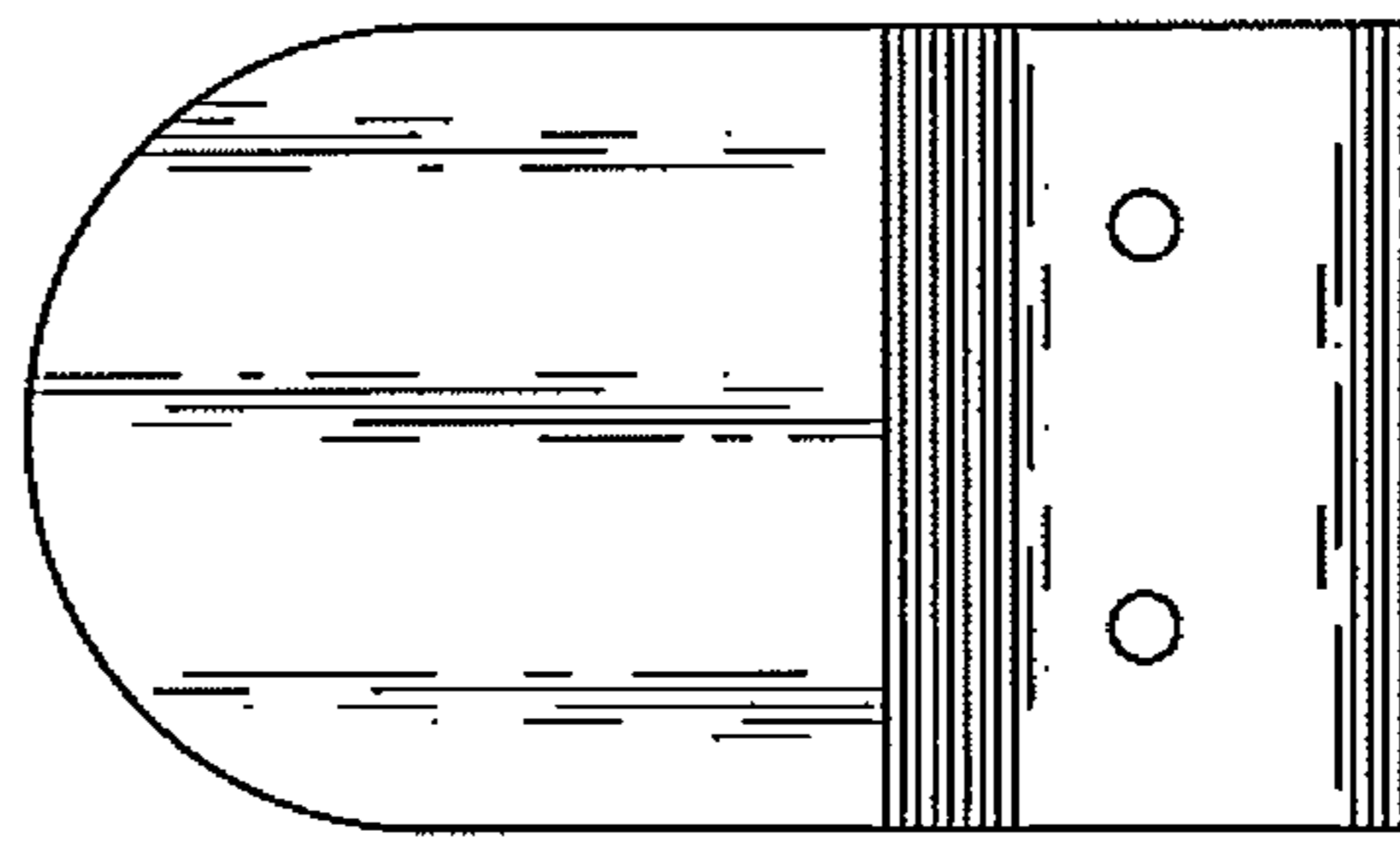


Fig. 2

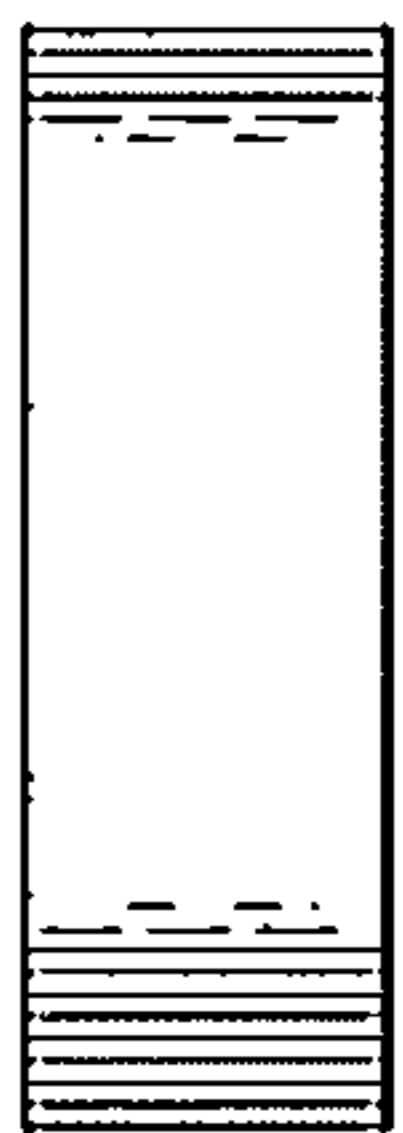


Fig. 3

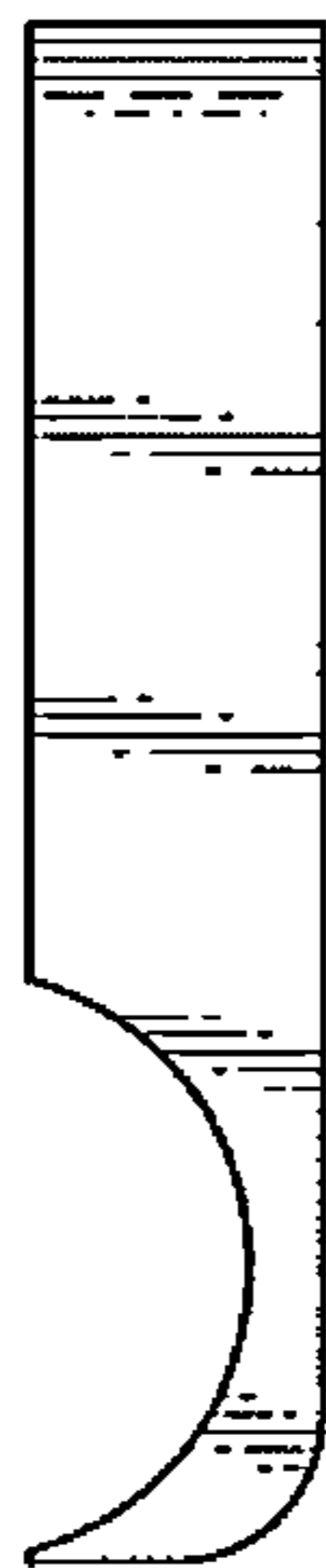


Fig. 4

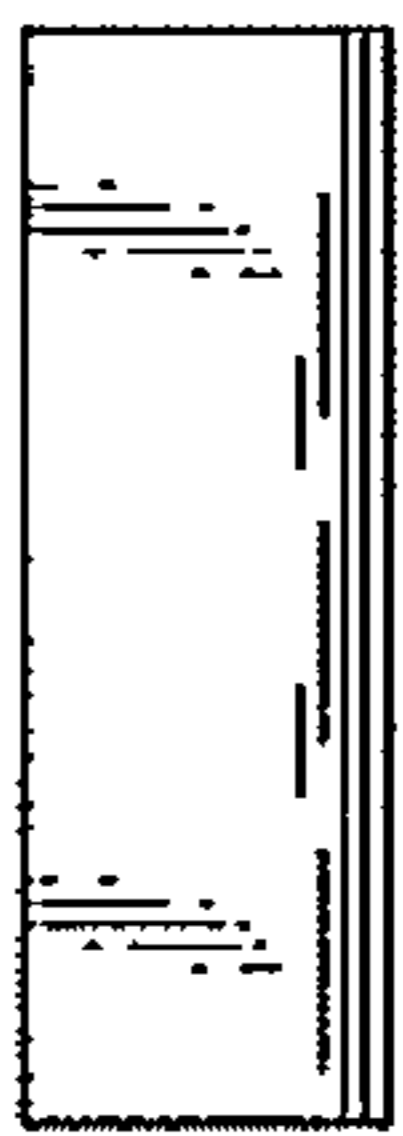


Fig. 5

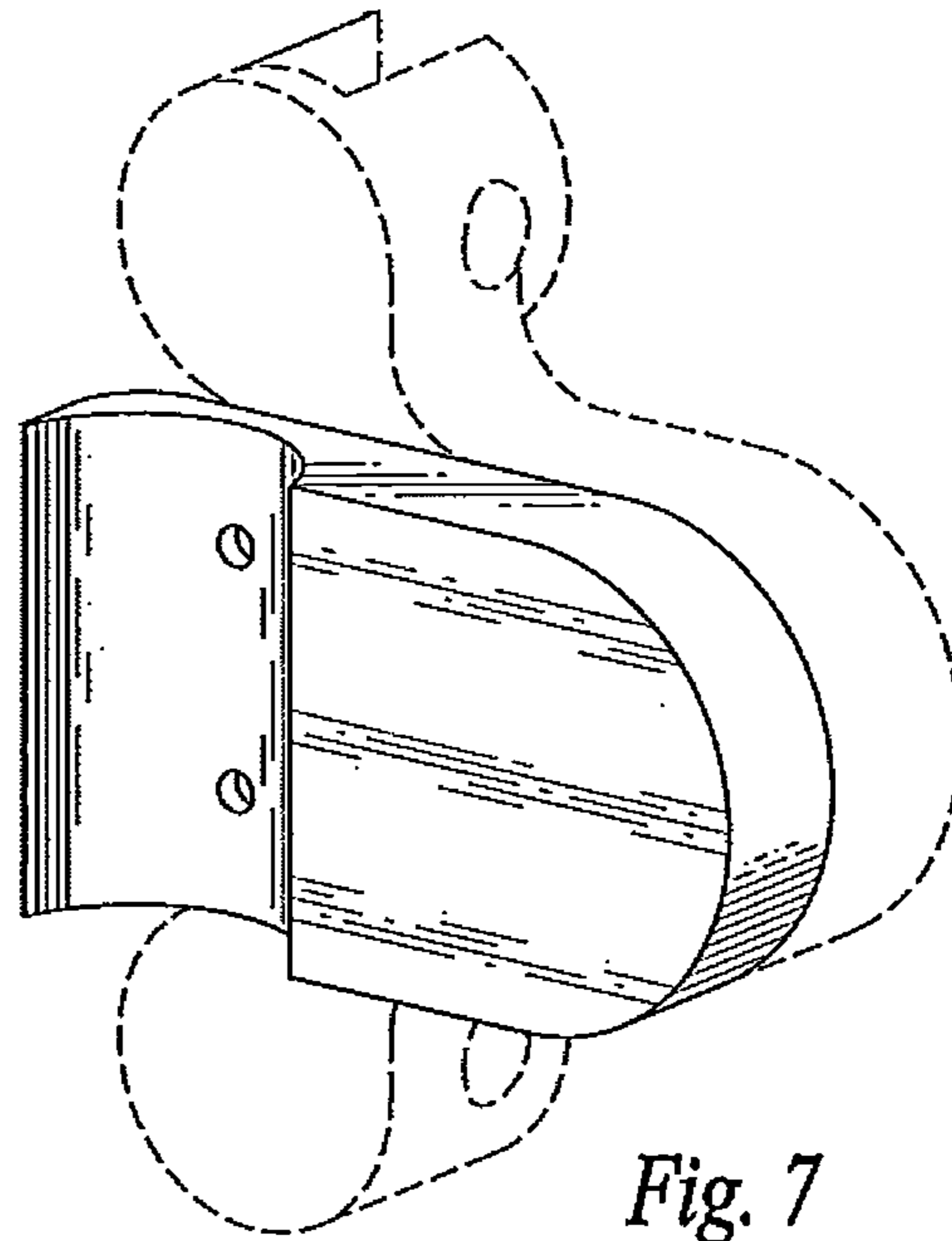


Fig. 7

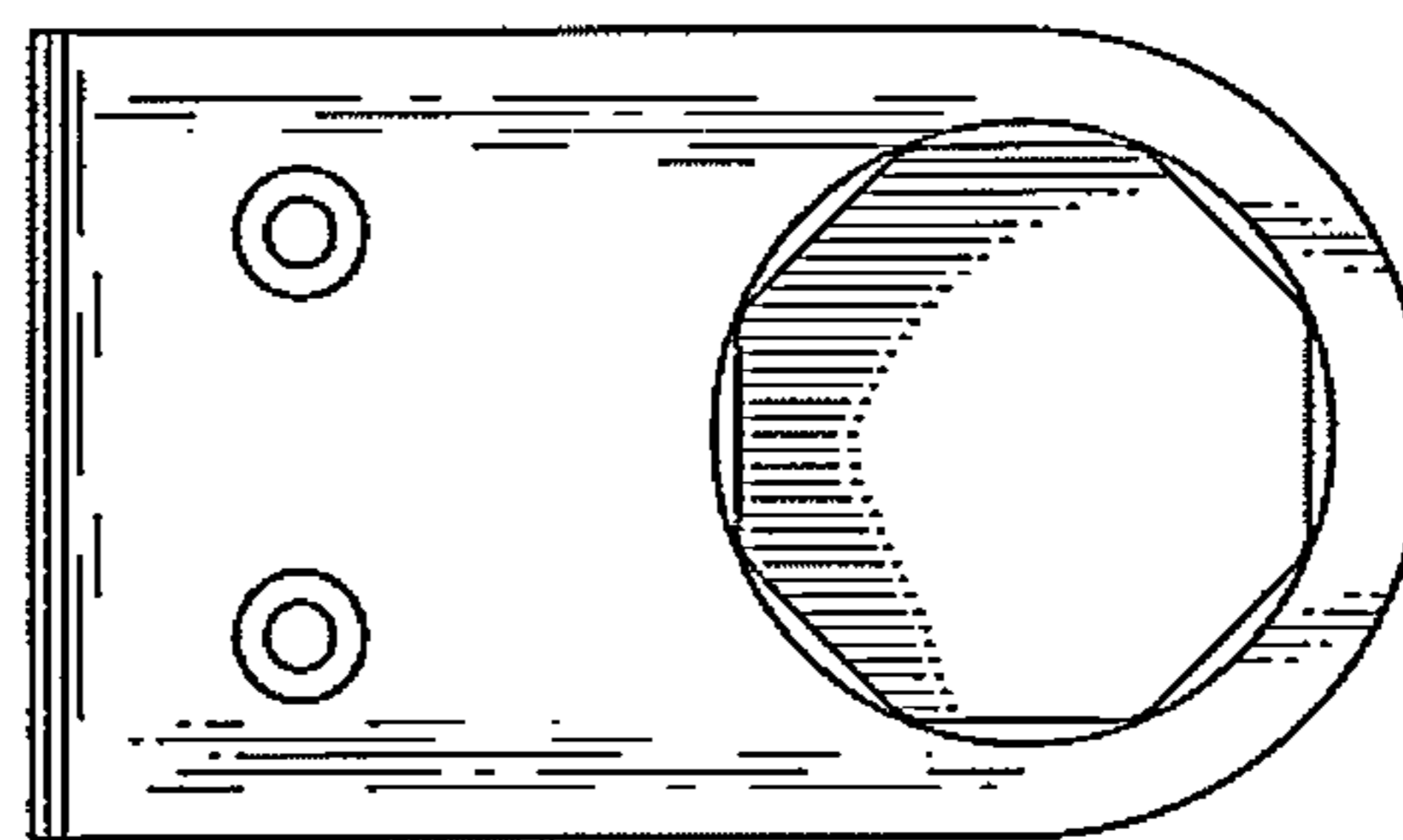


Fig. 6