



US00D741693S

(12) **United States Design Patent**  
**Penumatcha et al.**

(10) **Patent No.:** **US D741,693 S**

(45) **Date of Patent:** **\*\* Oct. 27, 2015**

(54) **FIBER OPTIC/ELECTRICAL CABLE REEL ASSEMBLY**

137/355.27, 355.2; D14/484; D3/24; D15/16; D12/501, 204; D22/14, 137

See application file for complete search history.

(71) Applicant: **APPLIED OPTICAL SYSTEMS, INC.**, Plano, TX (US)

(56)

**References Cited**

(72) Inventors: **Venkata R. Penumatcha**, Plano, TX (US); **Vincent A. Wouters**, McKinney, TX (US); **Rodney M. Flower**, Richardson, TX (US)

U.S. PATENT DOCUMENTS

(73) Assignee: **Applied Optical Systems, Inc.**, Plano, TX (US)

2,446,525	A	*	8/1948	Castellan	.....	242/366.2
D240,192	S	*	6/1976	Balmar	.....	D14/484
D341,770	S	*	11/1993	Spear et al.	.....	D8/359
D436,520	S	*	1/2001	Bulman	.....	D8/358
6,991,197	B2	*	1/2006	Cox et al.	.....	242/614.1
D545,561	S	*	7/2007	Vandecasteele	.....	D3/24
D557,118	S	*	12/2007	Linginfelter	.....	D8/358
D702,536	S	*	4/2014	Penumatcha	.....	D8/358

(\*\*) Term: **14 Years**

\* cited by examiner

(21) Appl. No.: **29/481,578**

*Primary Examiner* — Robert M Spear

(22) Filed: **Feb. 7, 2014**

*Assistant Examiner* — Eliza Bennett-Hattan

**Related U.S. Application Data**

(60) Division of application No. 29/465,268, filed on Aug. 26, 2013, now Pat. No. Des. 702,536, which is a continuation of application No. 13/918,446, filed on Jun. 14, 2013, now abandoned, which is a continuation of application No. 13/291,916, filed on Nov. 8, 2011, now Pat. No. 8,480,023, which is a continuation of application No. 12/364,485, filed on Dec. 2, 2009, now Pat. No. 8,074,916.

(57)

**CLAIM**

The ornamental design for a fiber optic/electrical cable reel assembly, as shown and described.

(51) **LOC (10) Cl.** ..... **08-05**

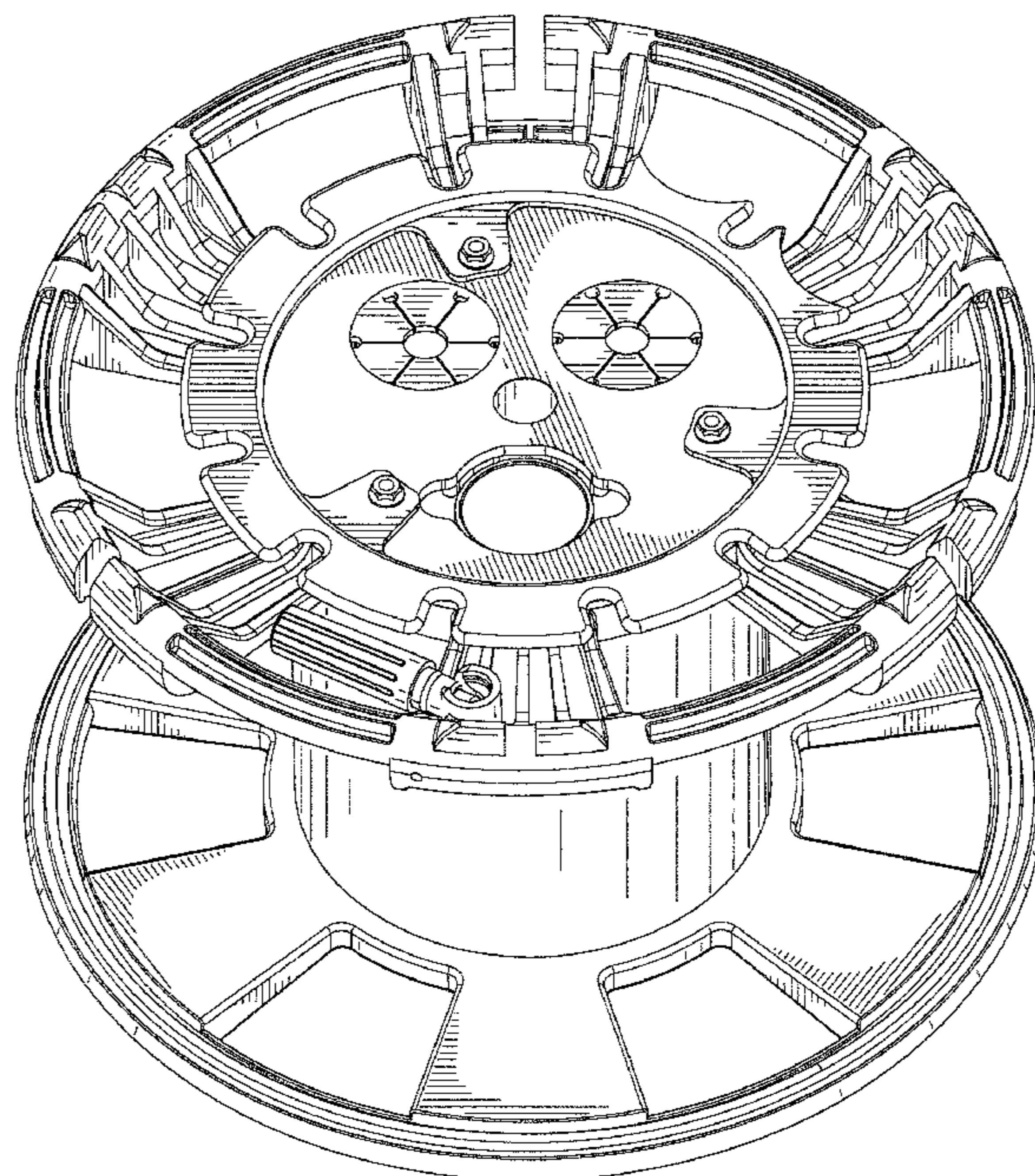
(52) **U.S. Cl.**  
USPC ..... **D8/358**

**DESCRIPTION**

(58) **Field of Classification Search**  
USPC ..... D8/356, 358, 359, 19, 45; 242/395, 242/405.3, 118.7, 542.4, 160.4, 366, 400;

FIG. 1 is a top view of another embodiment of the fiber optic/electrical cable reel assembly of FIG. 1;  
FIG. 2 is a side view of the fiber optic/electrical cable reel assembly of FIG. 1;  
FIG. 3 is a perspective view of the top of the fiber optic/electrical cable reel assembly of FIG. 1; and,  
FIG. 4 is a perspective view of the bottom of the fiber optic/electrical cable reel assembly of FIG. 1.

**1 Claim, 4 Drawing Sheets**



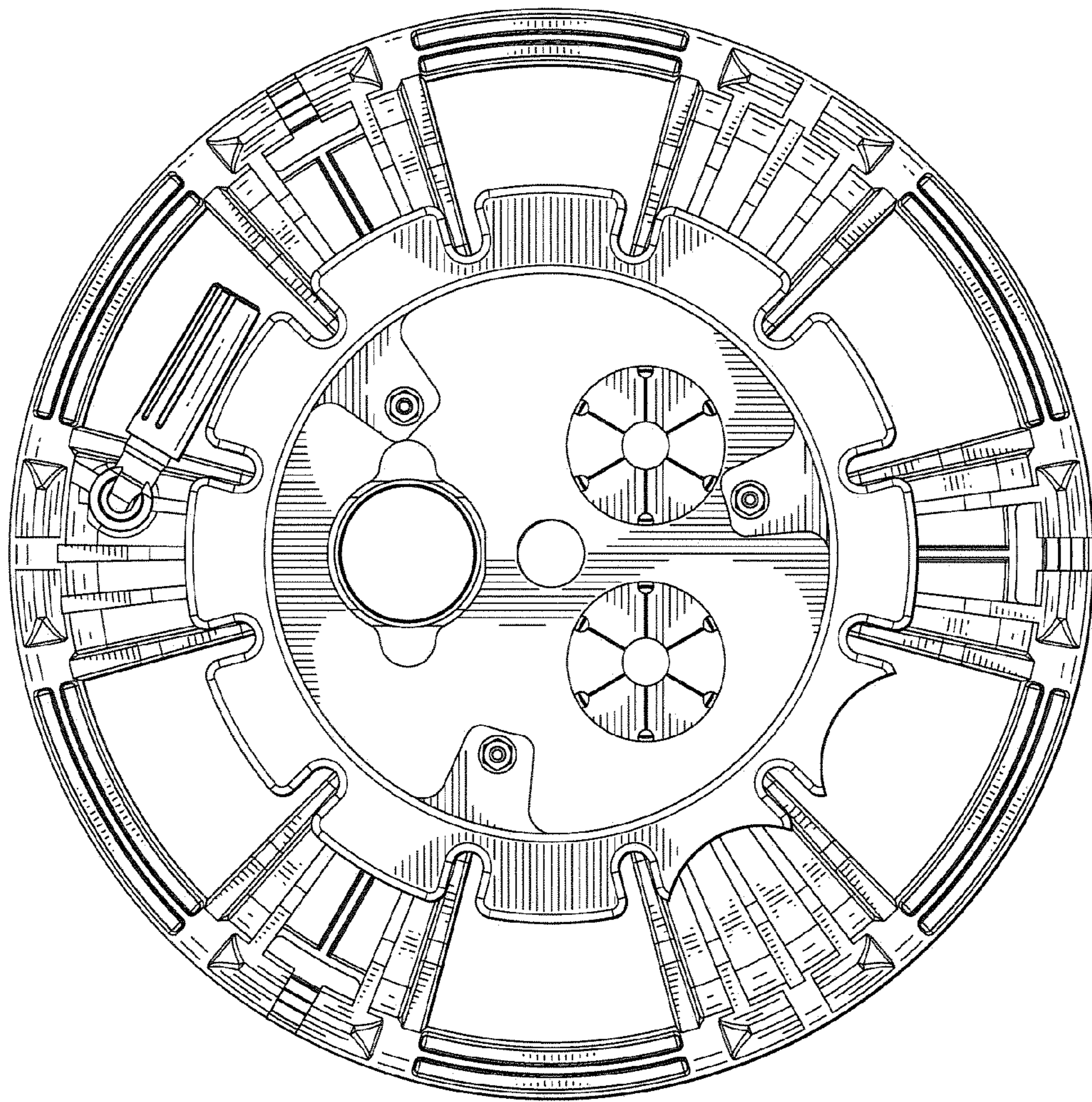


FIG. 1



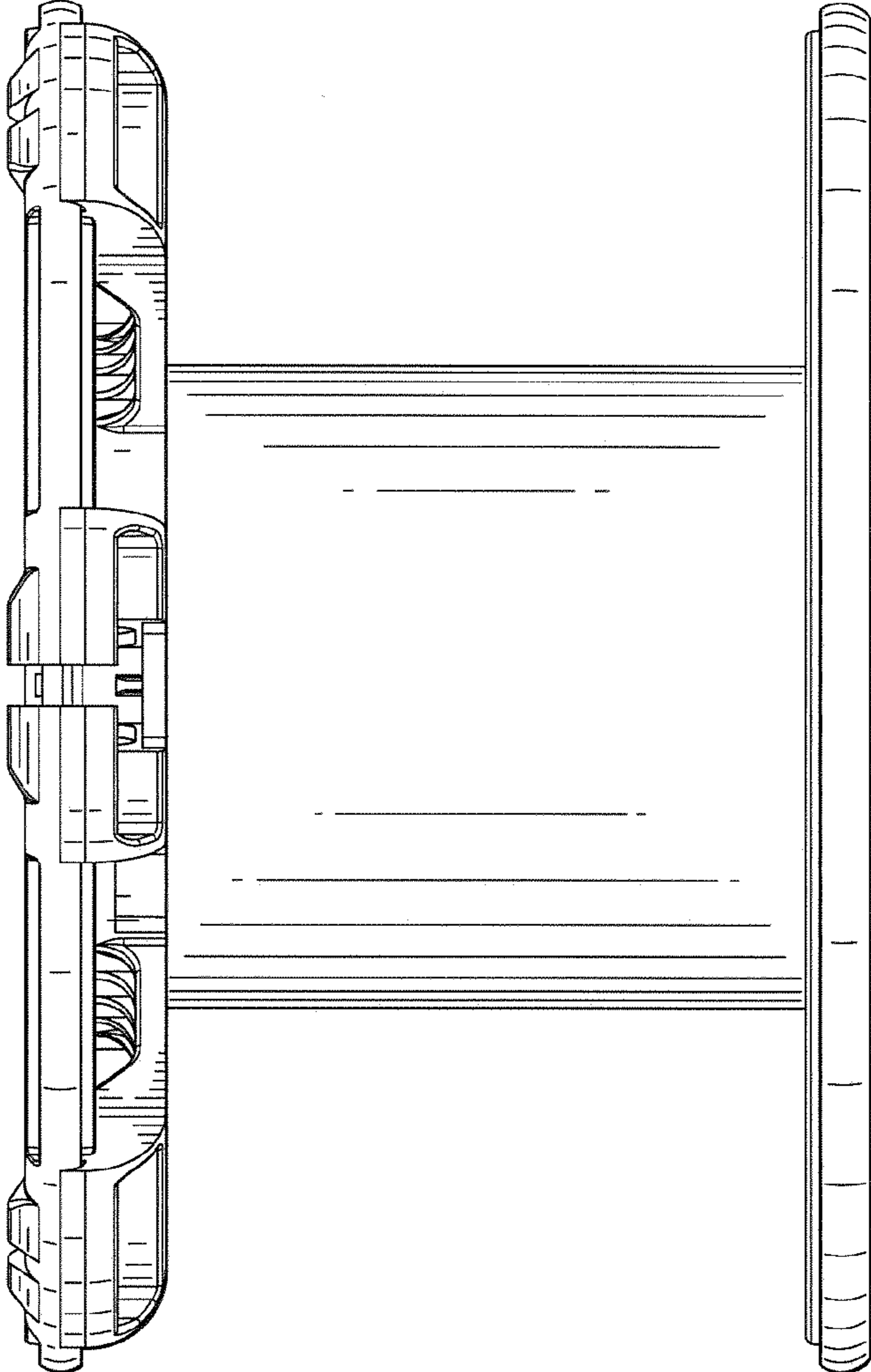


FIG. 2

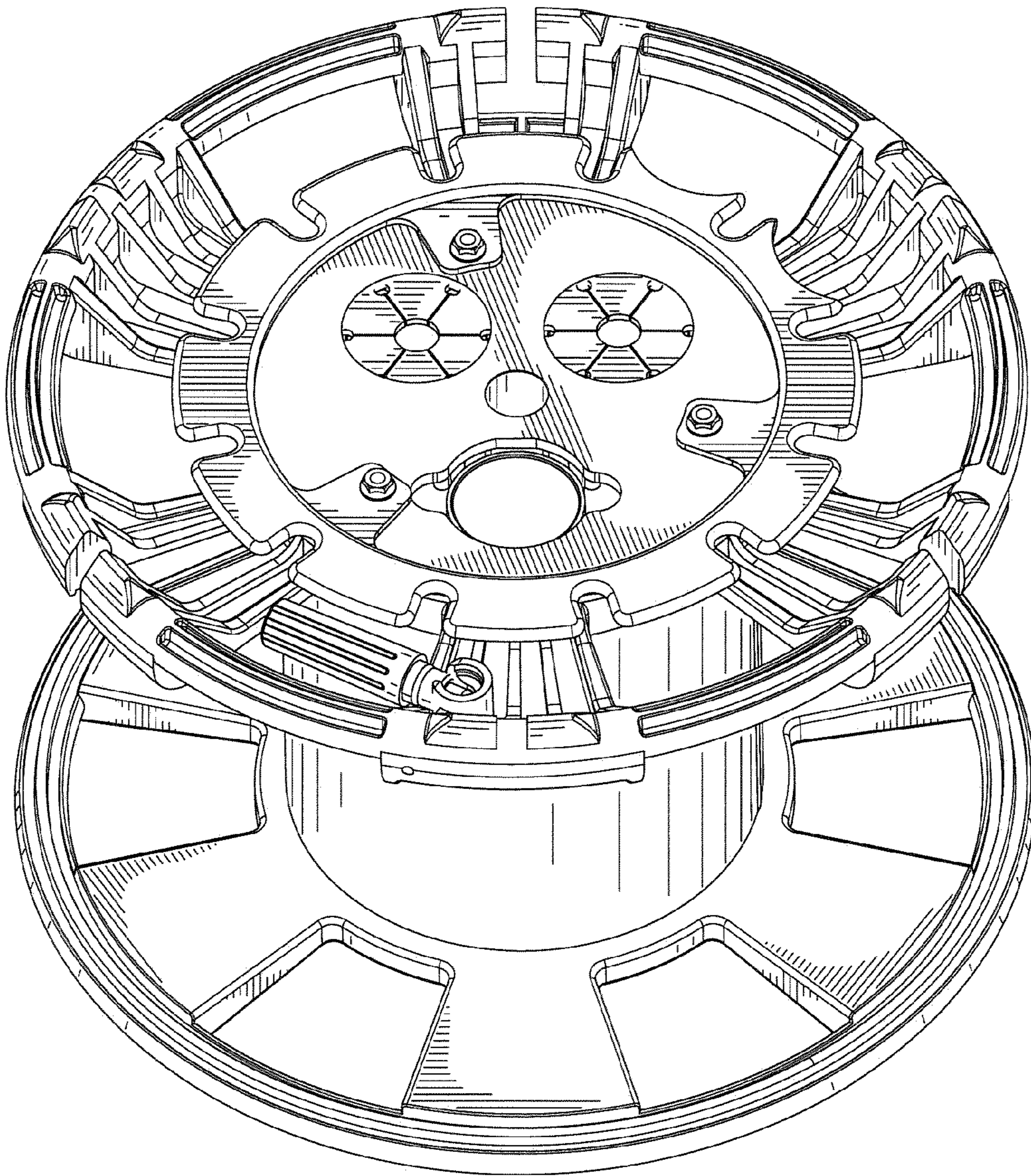


FIG. 3



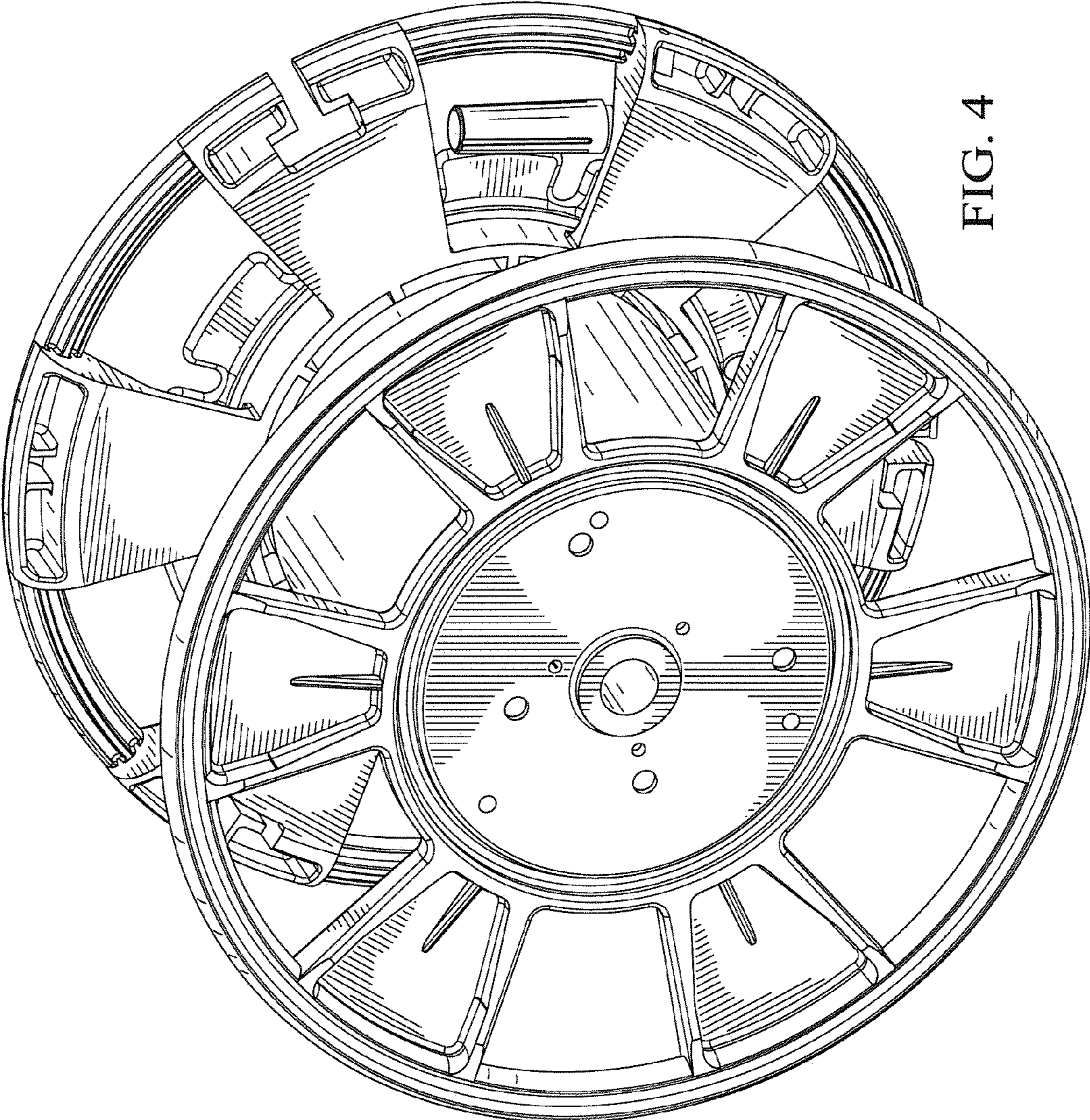


FIG. 4