



US00D741691S

(12) **United States Design Patent**
Adams

(10) **Patent No.:** **US D741,691 S**
(45) **Date of Patent:** **** Oct. 27, 2015**

- (54) **OFFSET CABLE TIE**
- (71) Applicant: **HellermannTyton Corporation**,
Milwaukee, WI (US)
- (72) Inventor: **Scott J. Adams**, Menomonee Falls, WI
(US)
- (73) Assignee: **HellermannTyton Corporation**,
Milwaukee, WI (US)
- (**) Term: **14 Years**
- (21) Appl. No.: **29/448,038**
- (22) Filed: **Mar. 8, 2013**
- (51) **LOC (10) Cl.** **08-05**
- (52) **U.S. Cl.**
USPC **D8/356**
- (58) **Field of Classification Search**
USPC D8/356, 367, 354, 349, 373, 396, 383,
D8/394; 136/246; D6/323; 248/301-304,
248/339, 205.3, 58, 60, 74.3, 71; 24/16 PB,
24/17 AP, 30.5 P, 30.5 S, 300, 301, 302,
24/339, DIG. 16; 70/16; 128/878
See application file for complete search history.

(56) **References Cited**

U.S. PATENT DOCUMENTS

3,257,694 A	6/1966	Litwin	
D273,361 S *	4/1984	Suzuki	D8/394
D281,301 S *	11/1985	Spolar	D10/46.2
4,875,647 A	10/1989	Takagi et al.	
D305,977 S *	2/1990	Ono	D8/396
5,131,613 A	7/1992	Kamiya et al.	
5,416,955 A *	5/1995	Katsma	24/588.1
D363,212 S *	10/1995	Hill	D8/396
D368,853 S *	4/1996	Liu et al.	D8/394
5,584,452 A	12/1996	Koike	
5,803,413 A	9/1998	Benoit et al.	
5,884,367 A *	3/1999	Teagno et al.	24/16 PB

5,921,510 A	7/1999	Benoit et al.	
D424,923 S *	5/2000	Lodi	D8/396
6,076,781 A	6/2000	Kraus	

(Continued)

OTHER PUBLICATIONS

Catalog pages from Avery-Dennison catalog, Speciality Ties and Mount Ties, Date unknown, 2 pages.

(Continued)

Primary Examiner — Cynthia Underwood

(74) *Attorney, Agent, or Firm* — Ryan Kromholz & Manion, S.C.

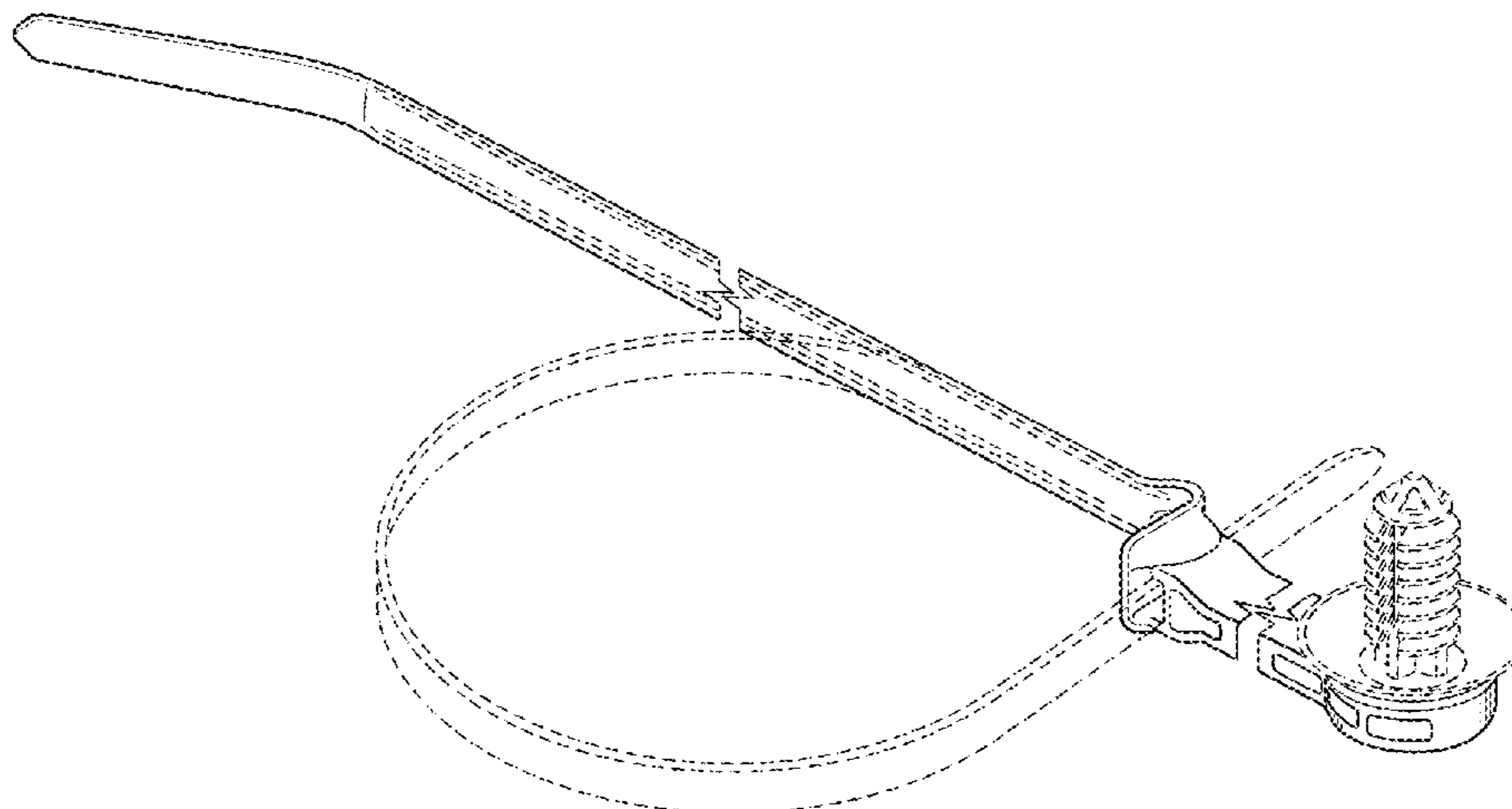
(57) **CLAIM**

The ornamental design for an offset cable tie, as shown and described.

DESCRIPTION

FIG. 1 is a perspective view of a first embodiment of the offset cable tie;
 FIG. 2 is a right side elevation view thereof;
 FIG. 3 is a left side elevation view thereof;
 FIG. 4 is a top plan view thereof;
 FIG. 5 is a bottom plan view thereof;
 FIG. 6 is a front end elevation view thereof;
 FIG. 7 is a back end elevation view thereof;
 FIG. 8 is a perspective view of a second embodiment of the offset cable tie;
 FIG. 9 is a right side elevation thereof;
 FIG. 10 is a left side elevation thereof;
 FIG. 11 is a top plan view thereof;
 FIG. 12 is a bottom plan view thereof;
 FIG. 13 is a front end elevation view thereof; and,
 FIG. 14 is a back end elevation view thereof.
 The broken lines depict environmental subject matter and form no part of the claimed design. The boundary lines in FIGS. 3 and 10 depict the boundary of the claim. The broken away symbols in the drawing indicate the appearance of any portion of the article between the broken lines forms no part of the claim.

1 Claim, 4 Drawing Sheets



(56)

References Cited

U.S. PATENT DOCUMENTS

6,105,908	A *	8/2000	Kraus	248/74.3
6,186,451	B1	2/2001	Benoit	
6,196,033	B1 *	3/2001	Dowdle	70/16
6,196,751	B1	3/2001	Khokhar	
D442,851	S *	5/2001	Wilson	D8/394
6,363,244	B1 *	3/2002	McGhee	455/90.1
6,749,157	B2	6/2004	Takeuchi	
6,828,509	B2 *	12/2004	Ito et al.	174/135
D537,333	S *	2/2007	Jowsey	D8/396
7,229,052	B2	6/2007	Takeuchi	
7,316,375	B2	1/2008	Wakabayashi et al.	
D565,401	S *	4/2008	Grady et al.	D8/394
7,360,744	B2	4/2008	Kwilosz	
D570,673	S *	6/2008	Geiger et al.	D8/394
7,600,724	B2	10/2009	Nelson et al.	
7,661,633	B2	2/2010	Igarashi et al.	
7,686,259	B2	3/2010	Caveney et al.	
7,753,321	B2	7/2010	Geiger	
7,770,852	B2	8/2010	Caveney	
7,775,484	B2	8/2010	Gunzburger	

D631,731	S *	2/2011	Chen	D8/356
D634,187	S *	3/2011	Kozel	D8/396
8,033,966	B2 *	10/2011	Ayoub	482/121
8,177,173	B2	5/2012	Spiess	
8,282,047	B2	10/2012	Franks	
D670,154	S *	11/2012	Kelleghan	D8/356
2003/0106190	A1 *	6/2003	Christianson	24/600.1
2006/0265840	A1	11/2006	Thompson et al.	
2007/0057124	A1	3/2007	Kwilosz	
2008/0185409	A1 *	8/2008	Kellenberger	224/257
2009/0276983	A1 *	11/2009	Chan	24/369
2010/0071169	A1 *	3/2010	Williams et al.	24/16 PB
2010/0306967	A1 *	12/2010	Geiger	24/16 PB
2012/0291231	A1 *	11/2012	Ku	24/16 R

OTHER PUBLICATIONS

Catalog pages from Delphi catalog, Clips, <http://connectors.delphi.com>, Date unknown, 3 pages.

Catalog from Avery-Dennison, Application Specific Fasteners, www.fastener.averydennison.com, Date unknown, 4 pages.

* cited by examiner

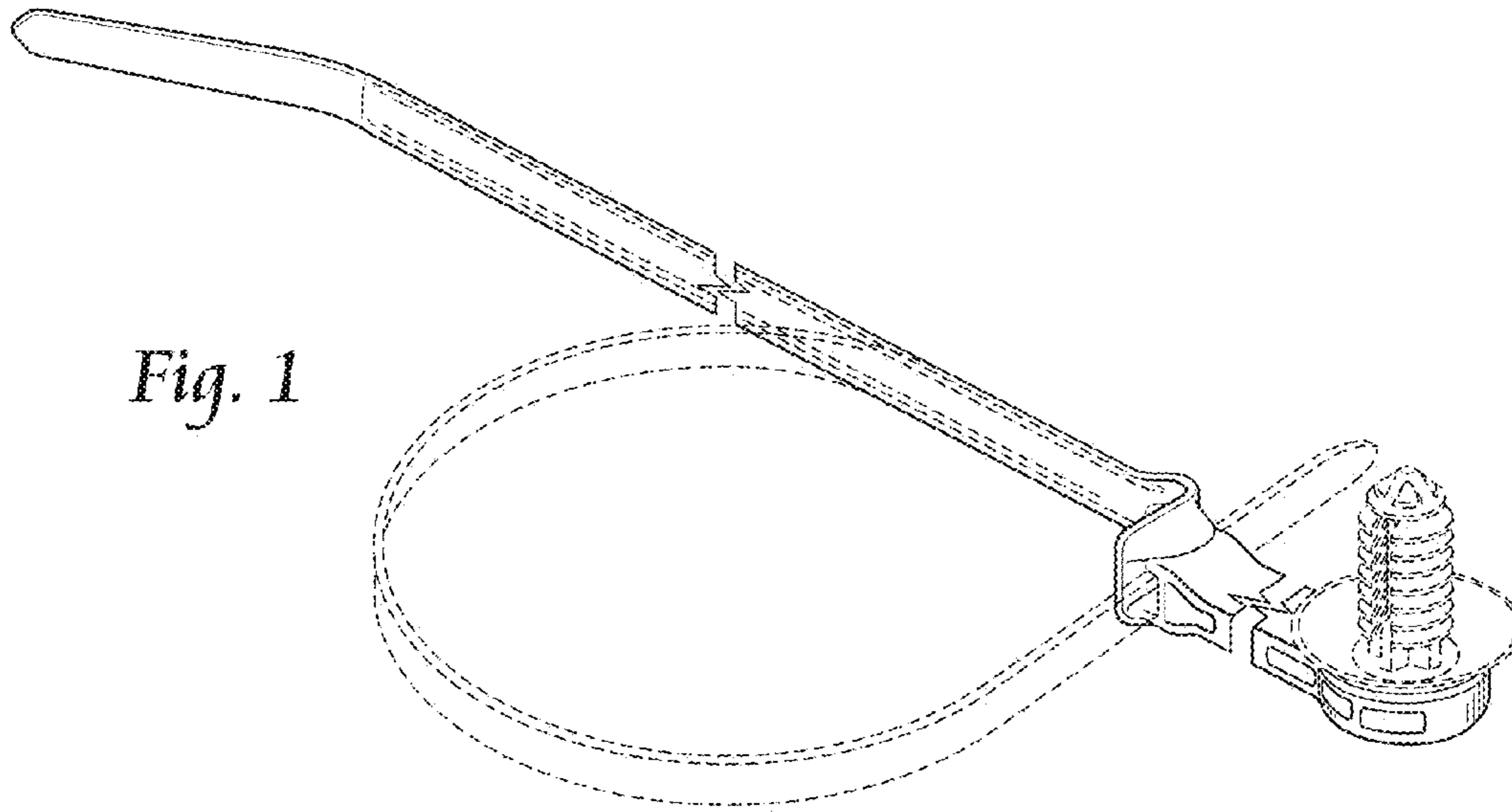


Fig. 1

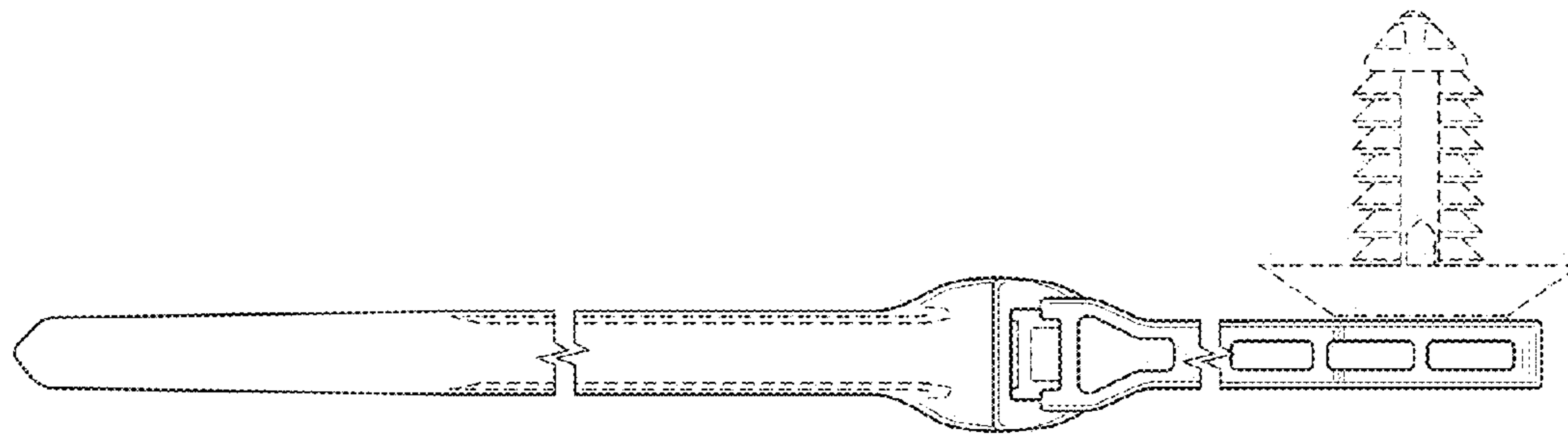


Fig. 2

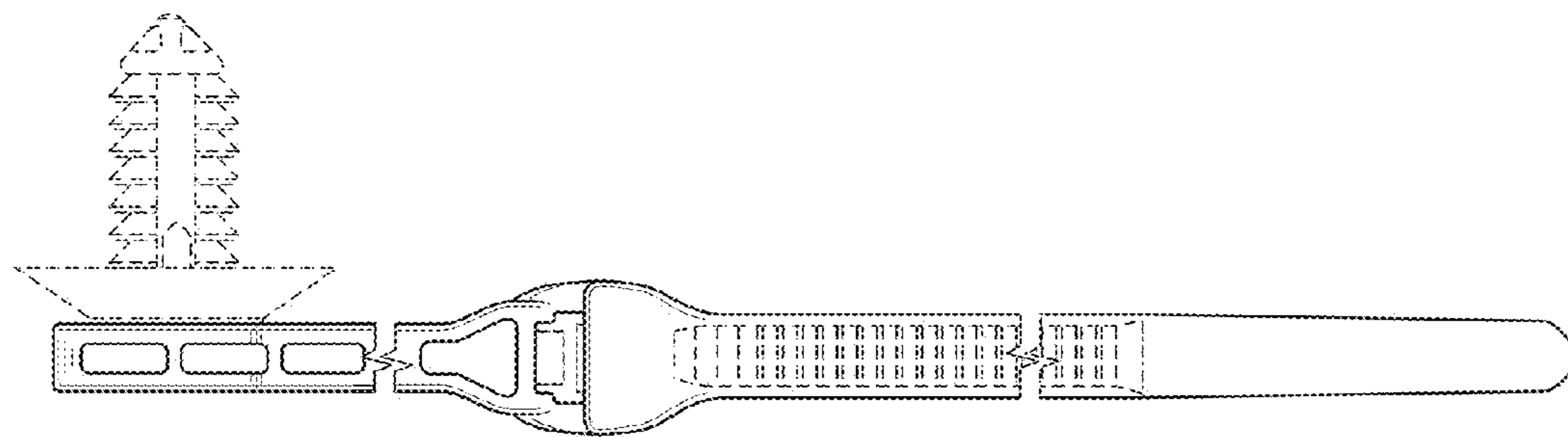


Fig. 3

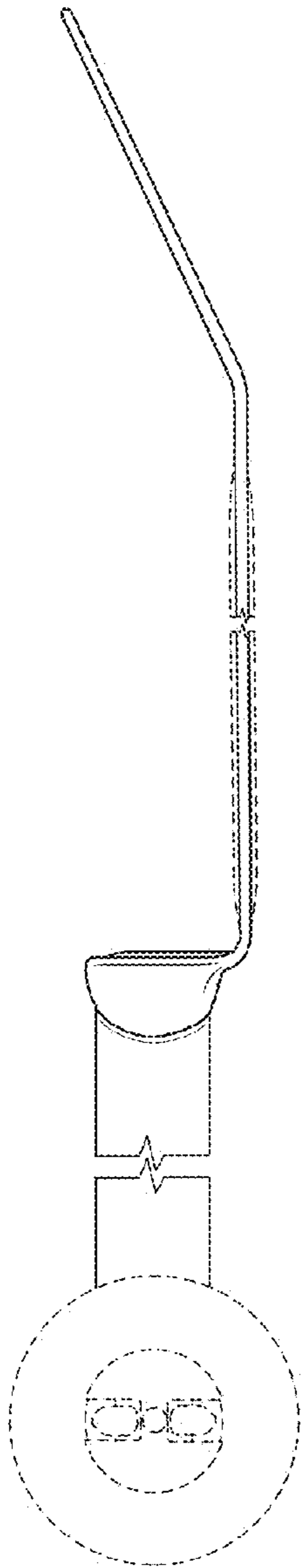


Fig. 4

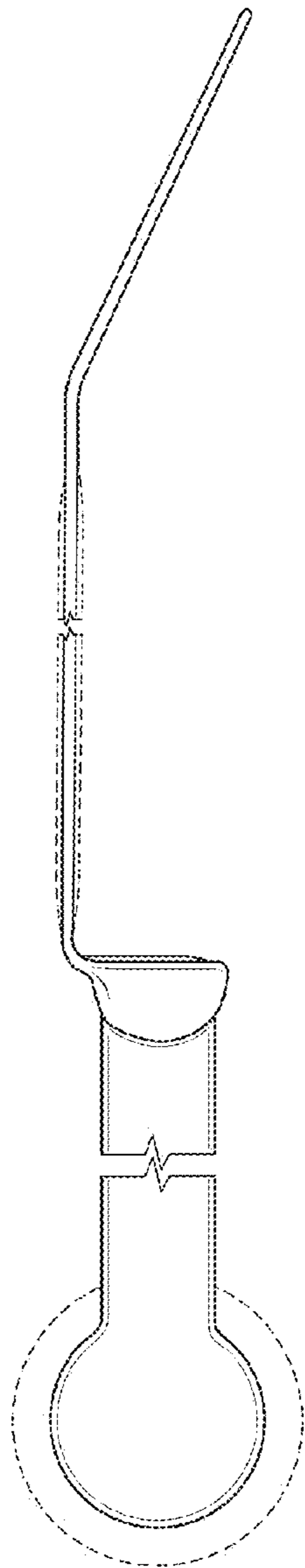


Fig. 5

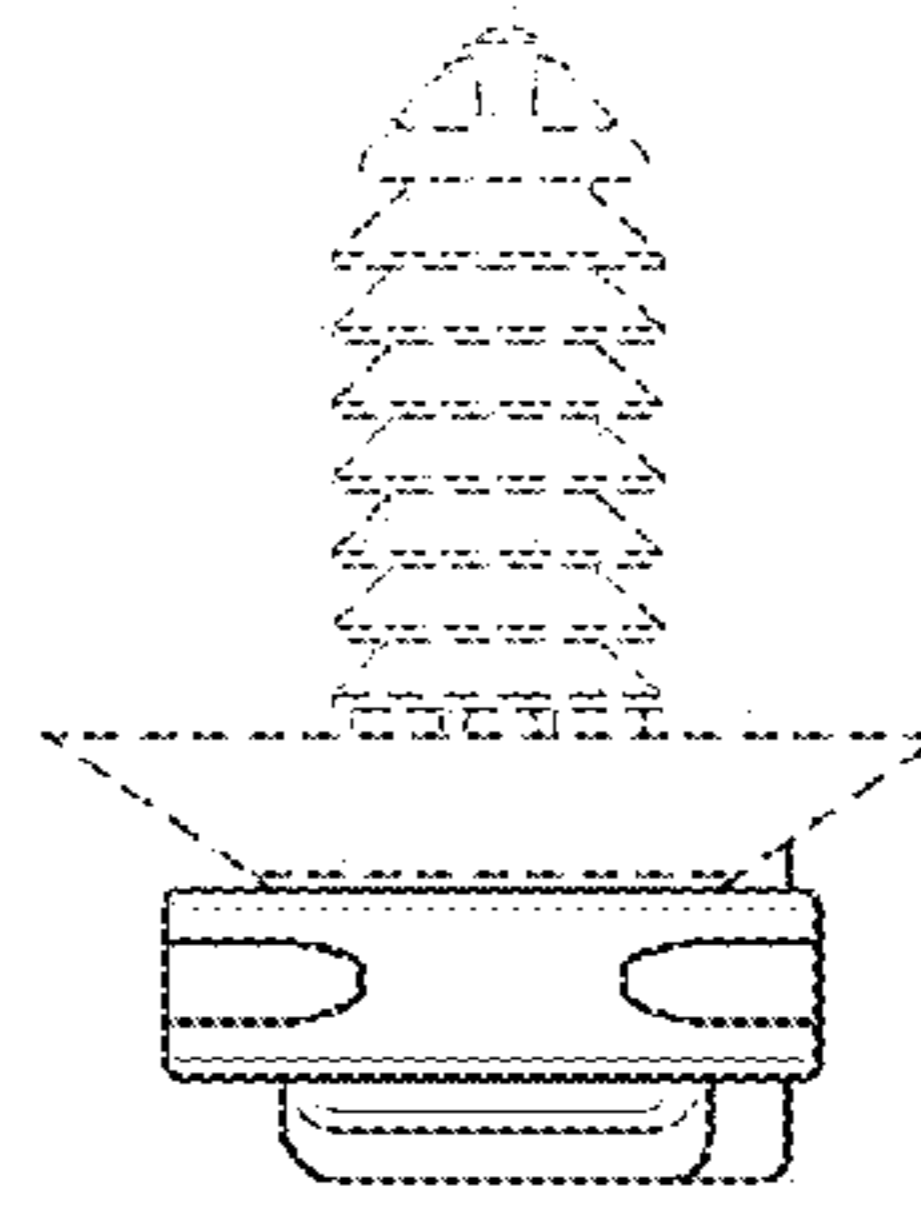


Fig. 6

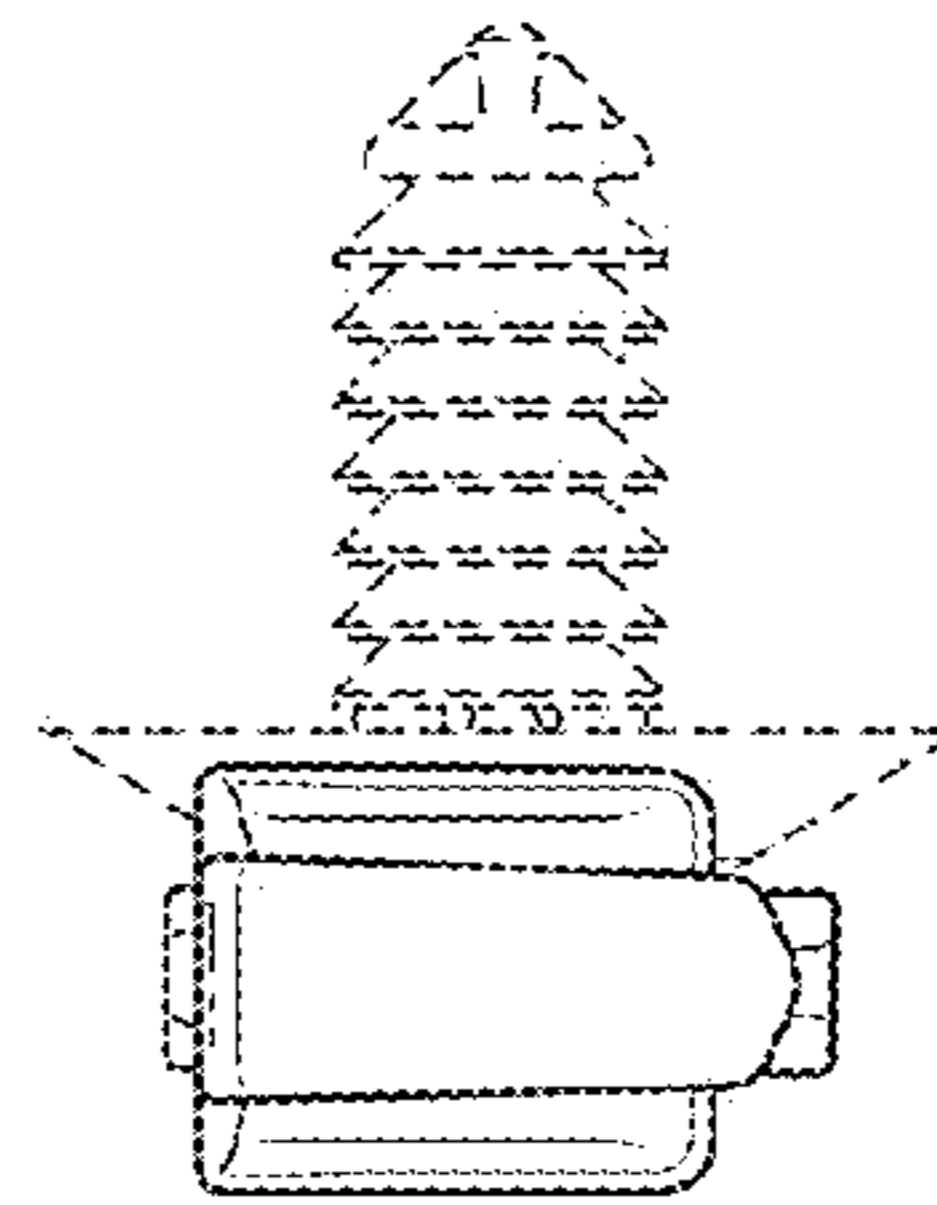


Fig. 7

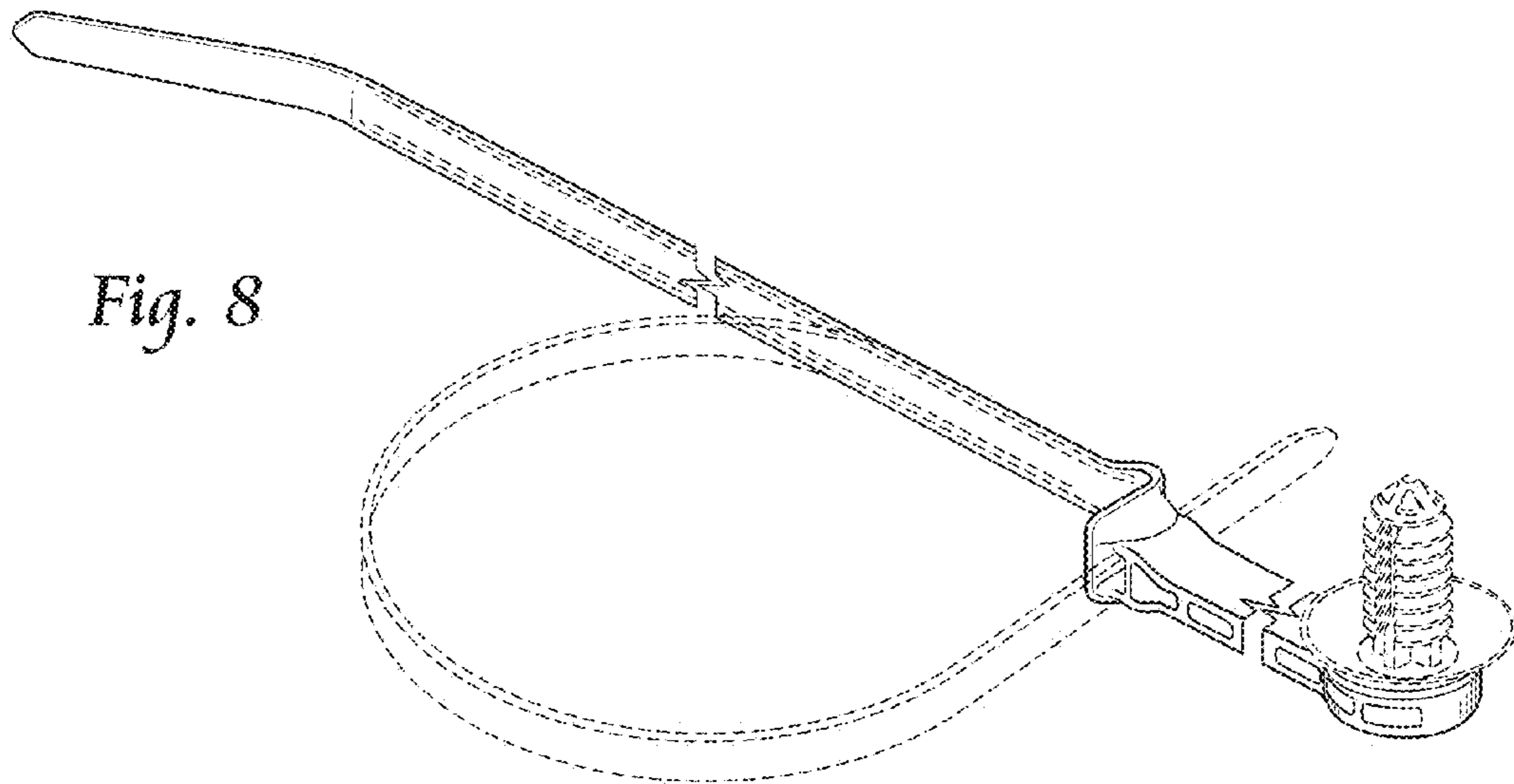


Fig. 8

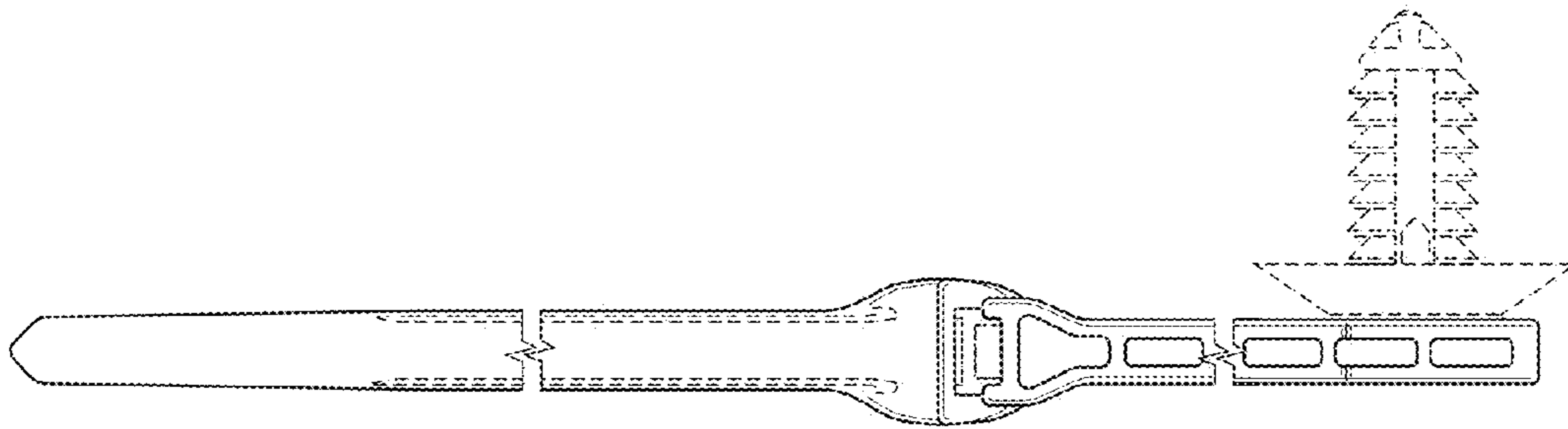


Fig. 9

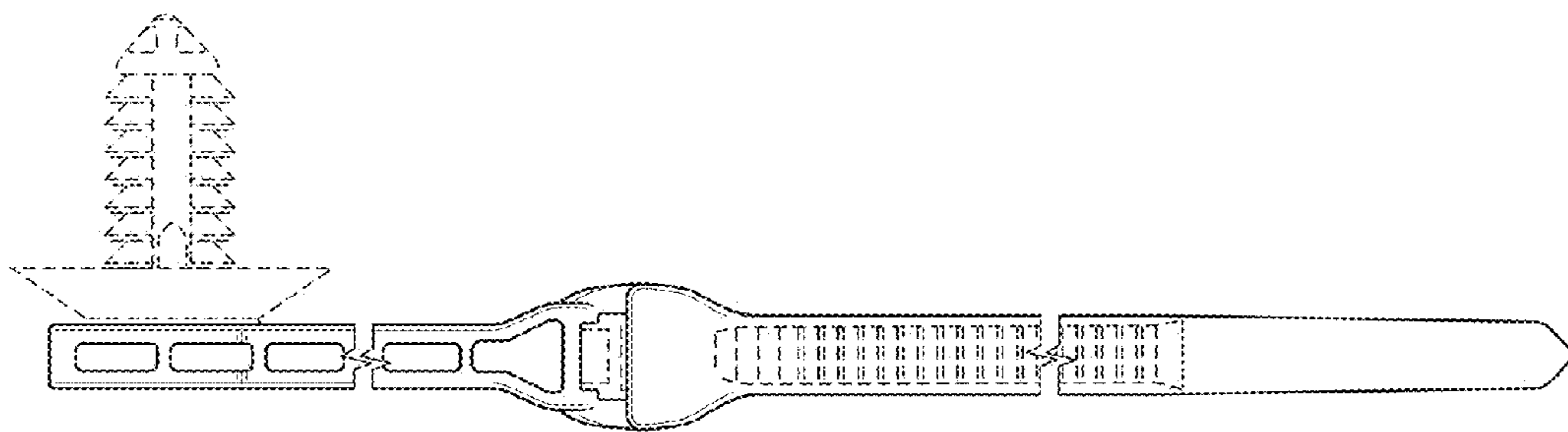


Fig. 10

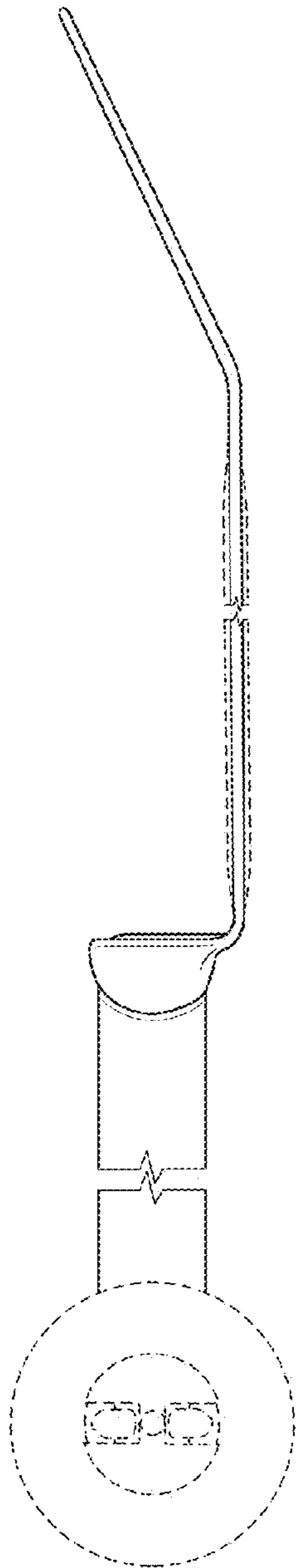


Fig. 11

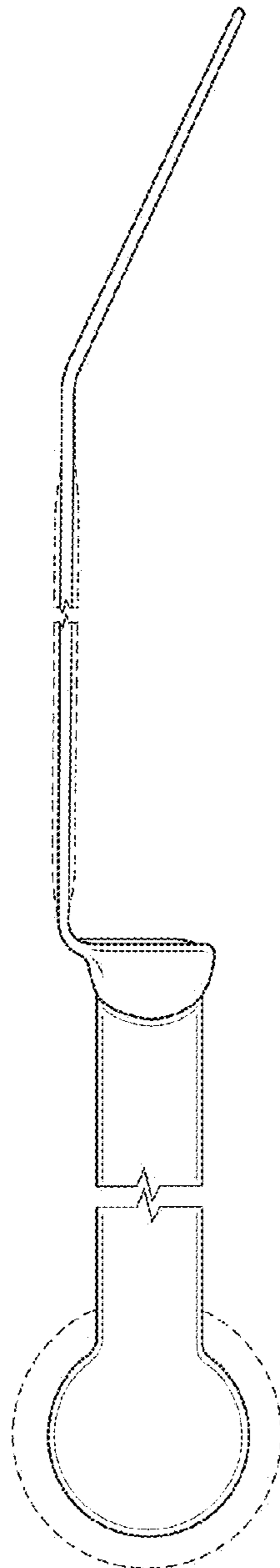


Fig. 12

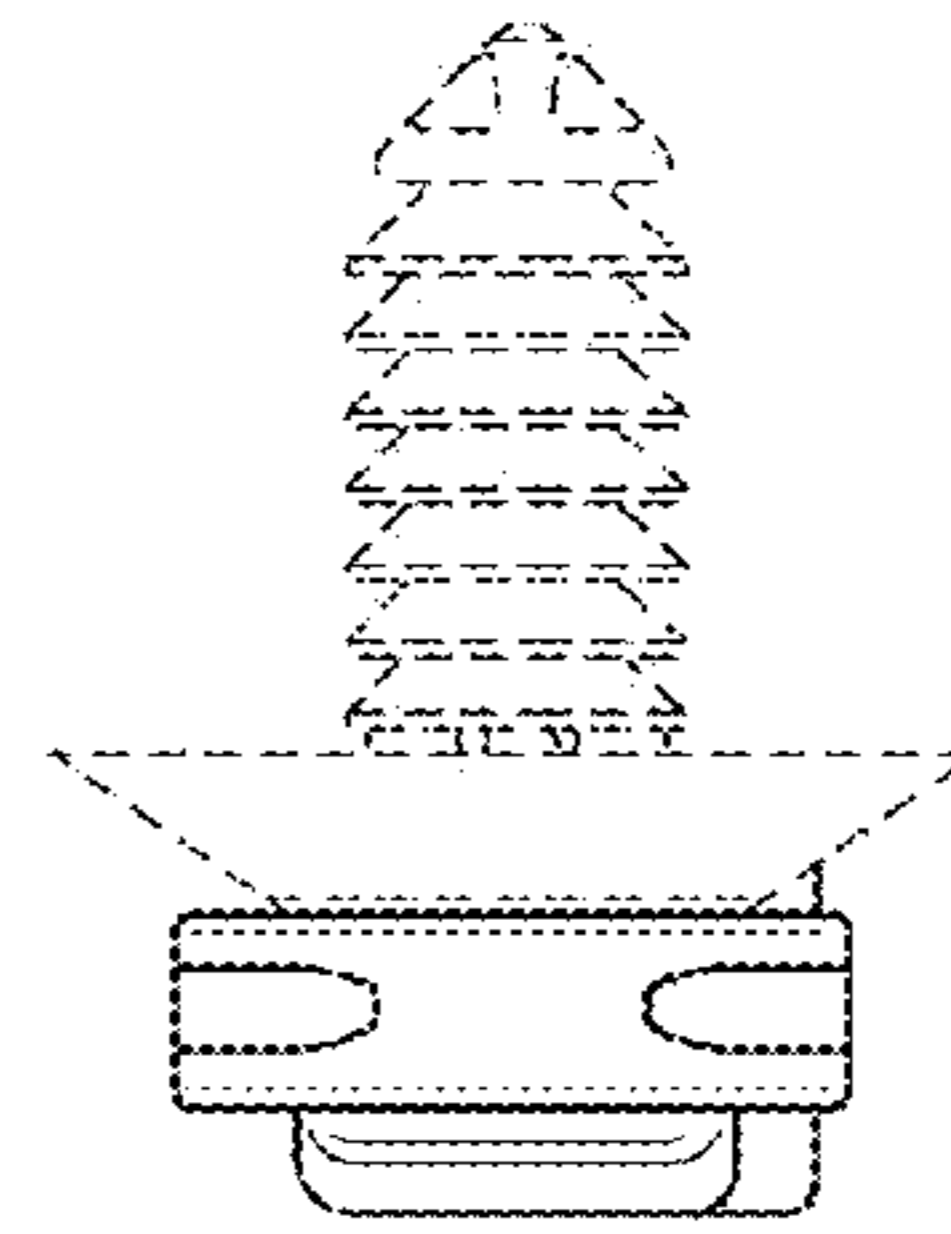


Fig. 13

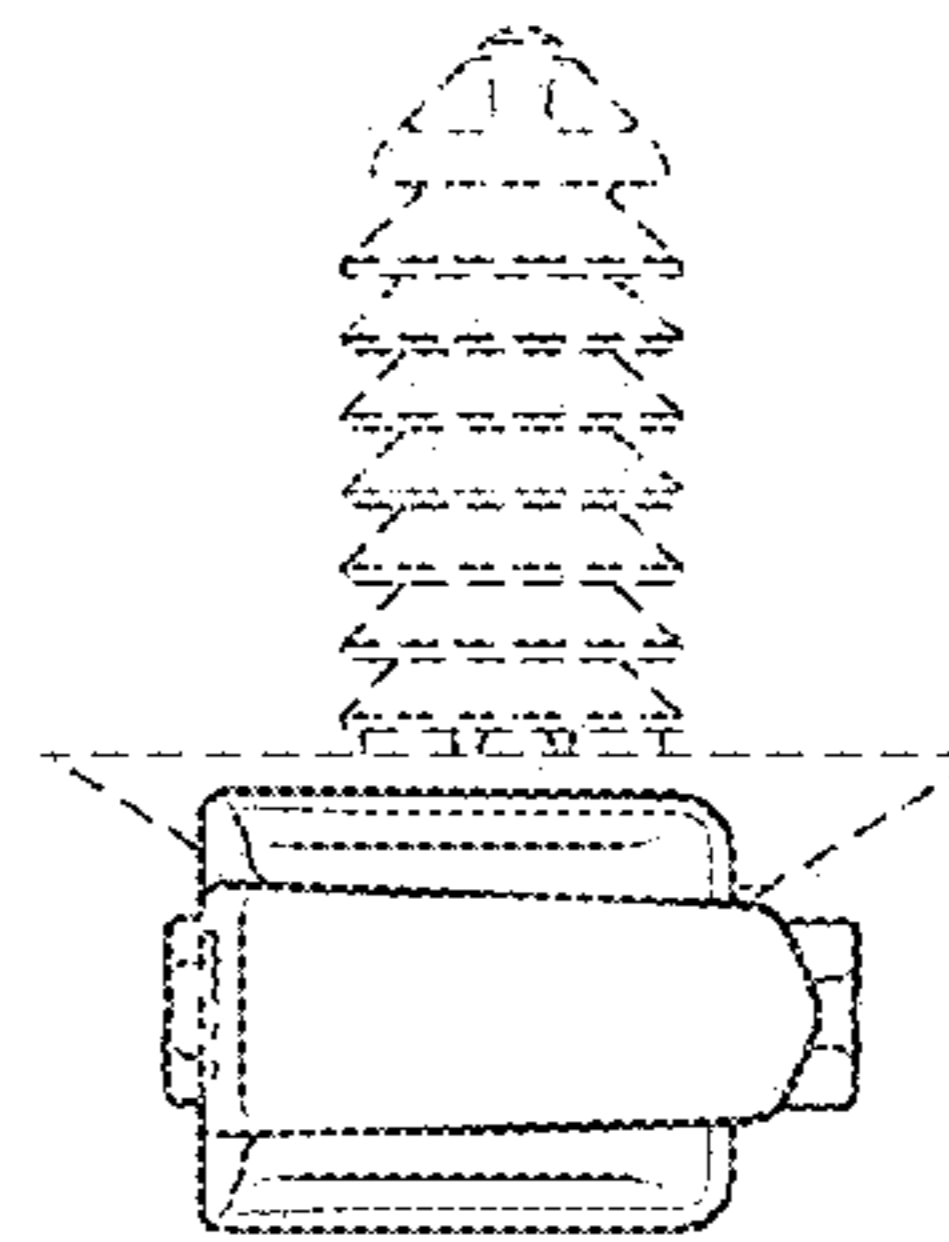


Fig. 14