



US00D741690S

(12) **United States Design Patent**  
**Collins, IV**

(10) **Patent No.:** **US D741,690 S**  
(45) **Date of Patent:** **\*\* Oct. 27, 2015**

(54) **SUPPORT BRACKET**

(75) Inventor: **Earle S. Collins, IV**, Somers Point, NJ  
(US)

(73) Assignee: **Collins Limited, LLC**, Somers Point, NJ  
(US)

(\*\*) Term: **14 Years**

(21) Appl. No.: **29/430,260**

(22) Filed: **Aug. 23, 2012**

(51) **LOC (10) Cl.** ..... **08-05**

(52) **U.S. Cl.**  
USPC ..... **D8/354**

(58) **Field of Classification Search**  
USPC ..... D8/349, 350, 353, 354, 355, 356, 359,  
D8/366, 367, 373, 374, 394; 24/163 R,  
24/169-171, 173, 177-179, 191, 194-195,  
24/197, 200, 614-616, 625; 248/56, 58,  
248/61, 62, 63, 65, 74.1, 74.2, 74.4, 200,  
248/220.21; D11/200, 201, 206-210,  
D11/214-218; D13/132, 133, 154; 439/92,  
439/97, 108

See application file for complete search history.

(56) **References Cited**

**U.S. PATENT DOCUMENTS**

D194,373 S \* 1/1963 Long ..... D8/354  
D212,093 S \* 8/1968 De Smidt ..... D8/353  
D235,620 S \* 7/1975 Forseth ..... D8/499  
D272,314 S \* 1/1984 Leibin et al. .... D8/353

D286,739 S \* 11/1986 Larsson ..... D8/353  
D365,747 S \* 1/1996 Grande ..... D8/353  
D369,953 S \* 5/1996 Carr ..... D8/353  
D409,079 S \* 5/1999 Sobczynski ..... D8/354  
D417,135 S \* 11/1999 McMahan ..... D8/354  
D431,174 S \* 9/2000 Merideth ..... D8/354  
D437,772 S \* 2/2001 Erwin ..... D8/354  
D523,734 S \* 6/2006 Calaicone ..... D8/354  
D556,015 S \* 11/2007 Muchnik ..... D8/354  
D557,117 S \* 12/2007 Cannaverde ..... D8/354  
D559,083 S \* 1/2008 Brassard ..... D8/354  
D561,561 S \* 2/2008 Wohlford et al. .... D8/354  
D627,305 S \* 11/2010 Gretz ..... D13/155  
D654,779 S \* 2/2012 Matre ..... D8/356  
D678,039 S \* 3/2013 Psaila ..... D8/354  
2003/0194269 A1 \* 10/2003 Garza ..... 404/2

\* cited by examiner

*Primary Examiner* — Eric Goodman

*Assistant Examiner* — Bao-Yen Nguyen

(74) *Attorney, Agent, or Firm* — Charney IP Law LLC

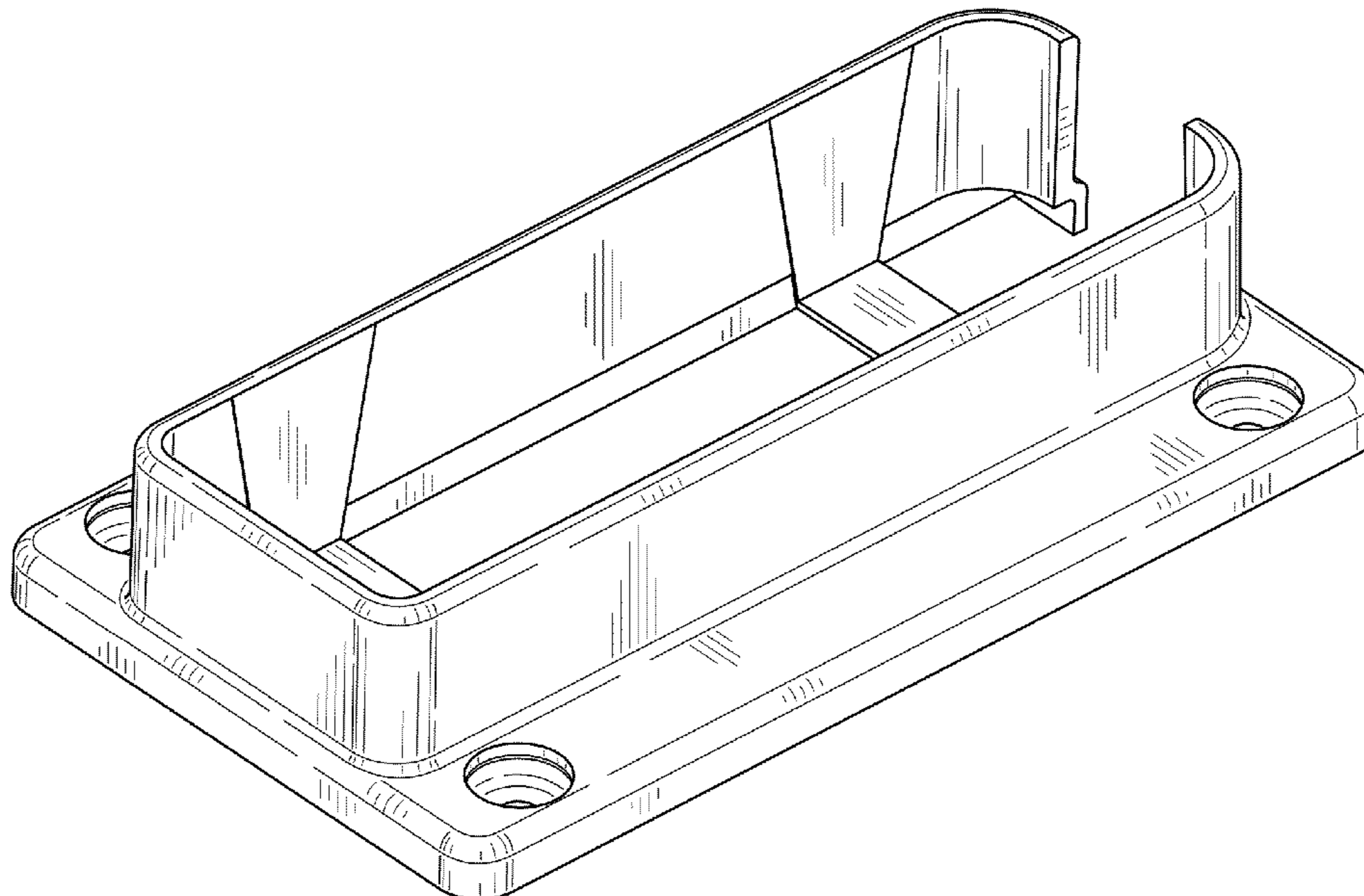
(57) **CLAIM**

The ornamental design for a support bracket, as shown and described.

**DESCRIPTION**

FIG. 1 is a frontal perspective view of a support bracket in accordance with a first embodiment of the present invention; FIG. 2 is a first side view of the support bracket of FIG. 1, the second side being a mirror image; FIG. 3 is a bottom view of the support bracket of FIG. 1; FIG. 4 is a top view of the support bracket of FIG. 1; and, FIG. 5 is a front view of the support bracket of FIG. 1.

**1 Claim, 3 Drawing Sheets**



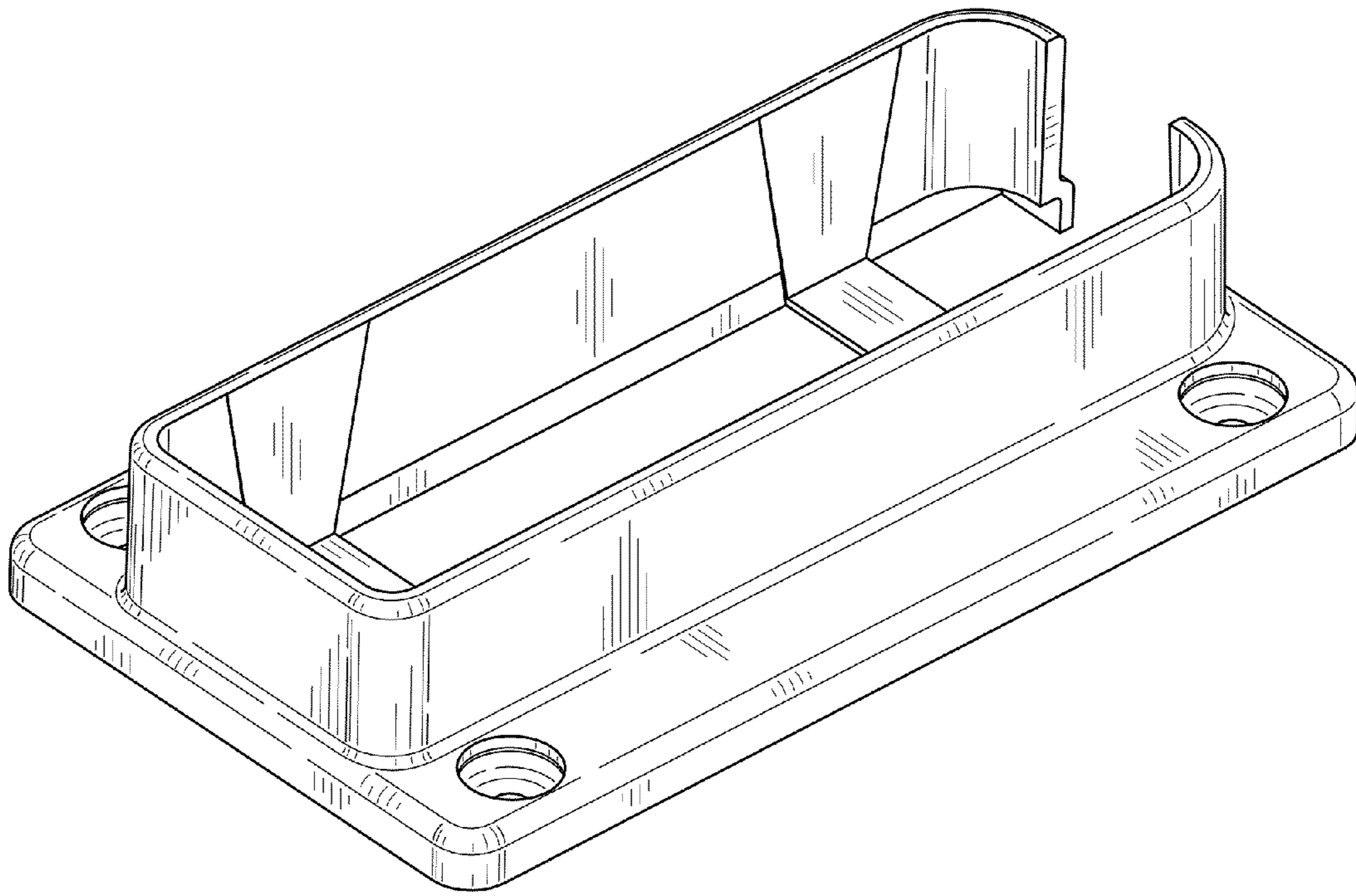


FIG. 1

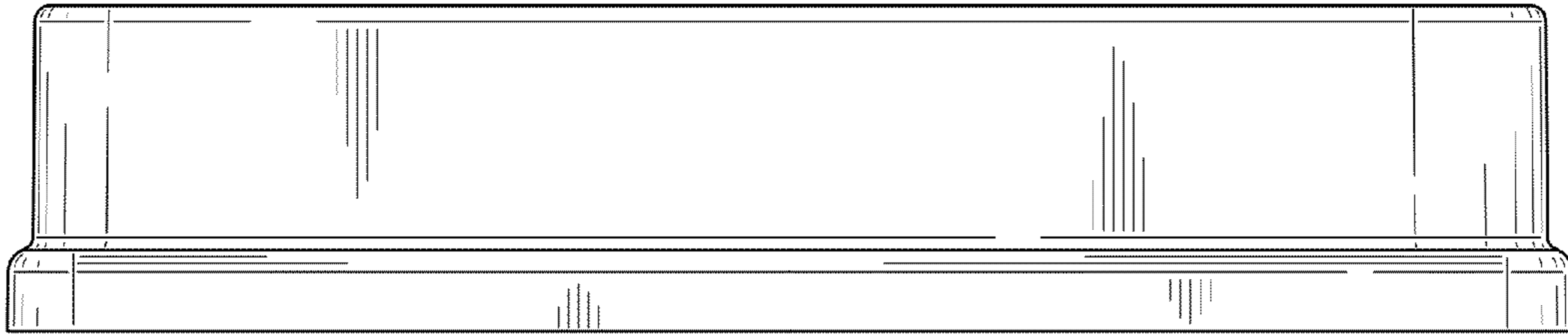


FIG. 2

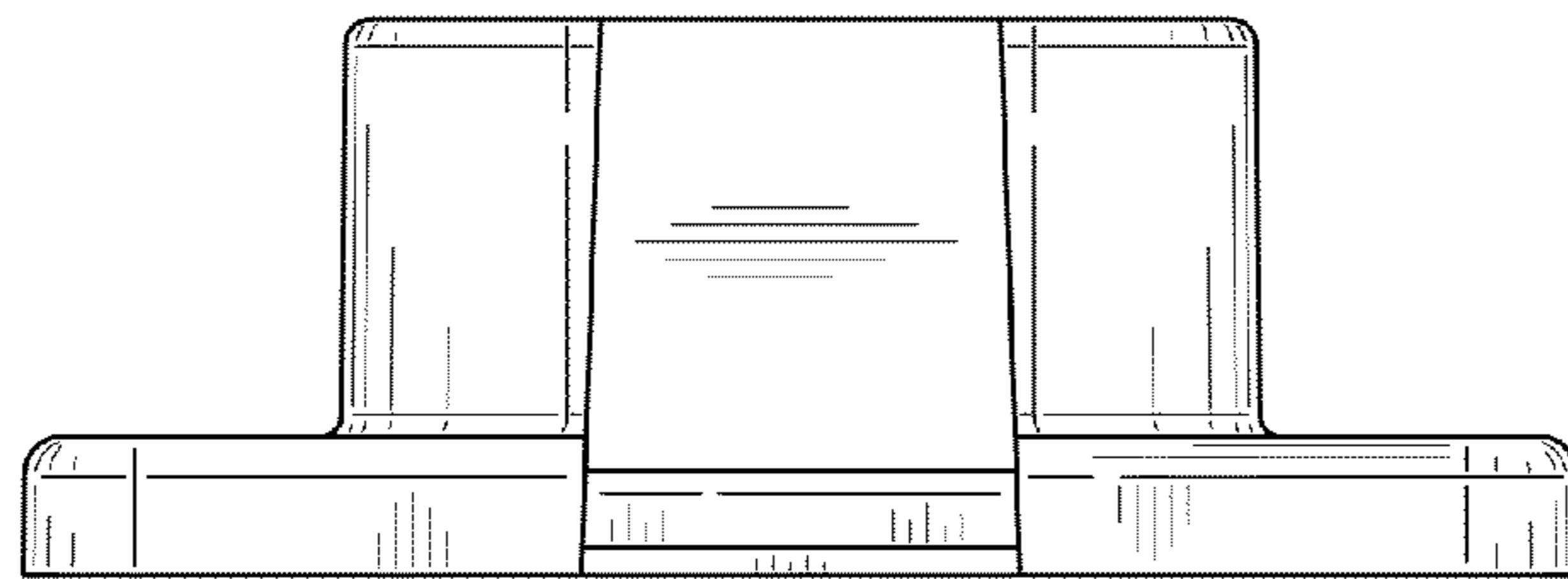


FIG. 3

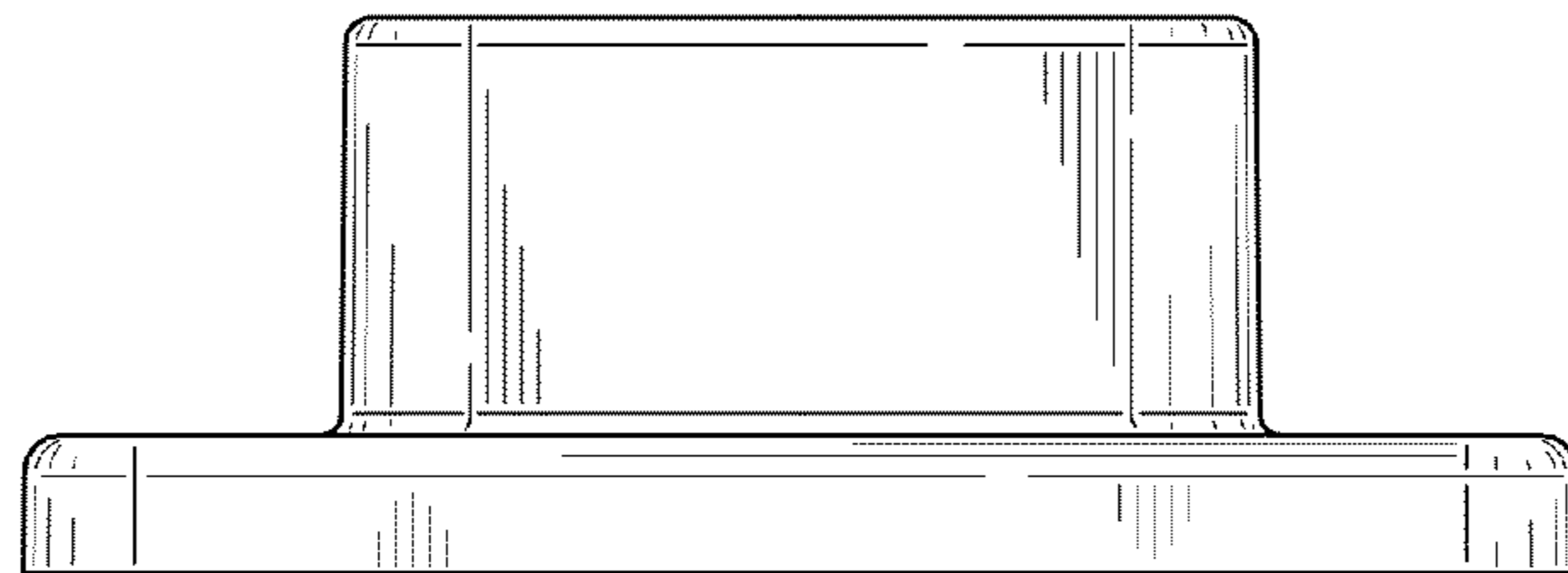


FIG. 4

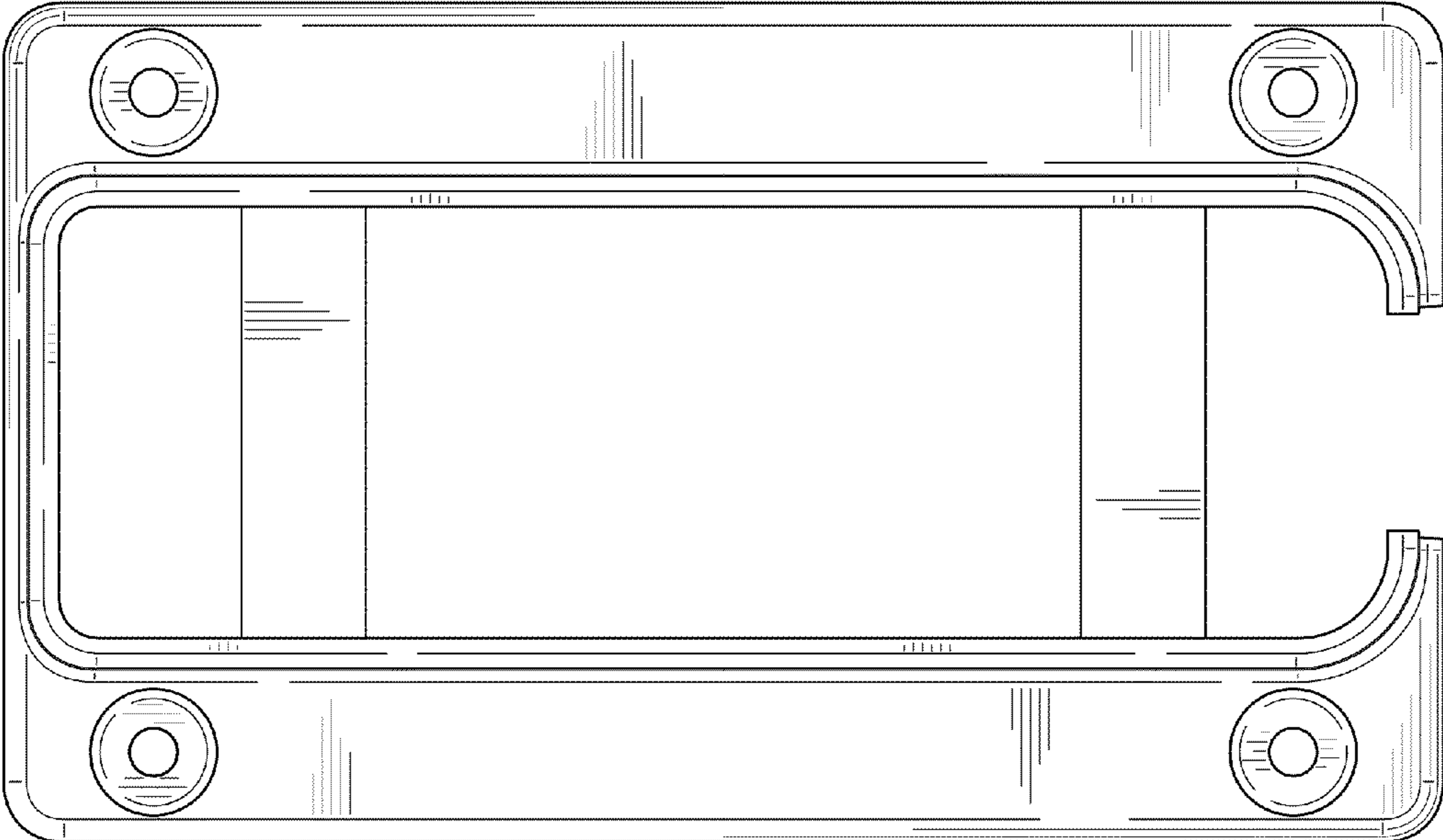


FIG. 5