



US00D741689S

(12) **United States Design Patent**
Metzler

(10) **Patent No.:** **US D741,689 S**

(45) **Date of Patent:** **** Oct. 27, 2015**

(54) **MOUNTING ASSEMBLY**

(71) Applicant: **Reinhard Metzler**, Rankweil (AT)

(72) Inventor: **Reinhard Metzler**, Rankweil (AT)

(73) Assignee: **METZLER GMBH & CO. KG**,
Rankweil (AT)

(**) Term: **14 Years**

(21) Appl. No.: **29/448,229**

(22) Filed: **Mar. 11, 2013**

(30) **Foreign Application Priority Data**

Sep. 12, 2012 (EM) 002101857-0001

(51) **LOC (10) Cl.** **08-08**

(52) **U.S. Cl.**
USPC **D8/349**; D8/381

(58) **Field of Classification Search**

USPC D6/683.1, 672, 684, 680, 703.5;
D8/349, 354, 355, 363, 364, 372, 373,
D8/380, 381, 400; D13/184, 199;
D25/121, 123-125, 119

CPC F16M 13/02; F16L 3/123; B23P 11/00;
B23P 17/03; A47B 6/06; A47B 96/00; A47B
96/02; H02B 1/009; B23Q 3/00; B23Q 3/02;
B23Q 3/15746; B23Q 2003/15593; A47F 5/08

See application file for complete search history.

(56) **References Cited**

U.S. PATENT DOCUMENTS

D326,403 S * 5/1992 Kleiss D8/349
D342,482 S * 12/1993 Lutze et al. D13/199
D459,975 S * 7/2002 Dinh et al. D8/354
2009/0236482 A1 * 9/2009 Winig et al. 248/220.43
2011/0180502 A1 * 7/2011 Clark et al. 211/90.04

* cited by examiner

Primary Examiner — Thomas Johannes

Assistant Examiner — Shawn T Gingrich

(74) *Attorney, Agent, or Firm* — Andrew Wilford

(57) **CLAIM**

The ornamental design for a mounting assembly, as shown and described.

DESCRIPTION

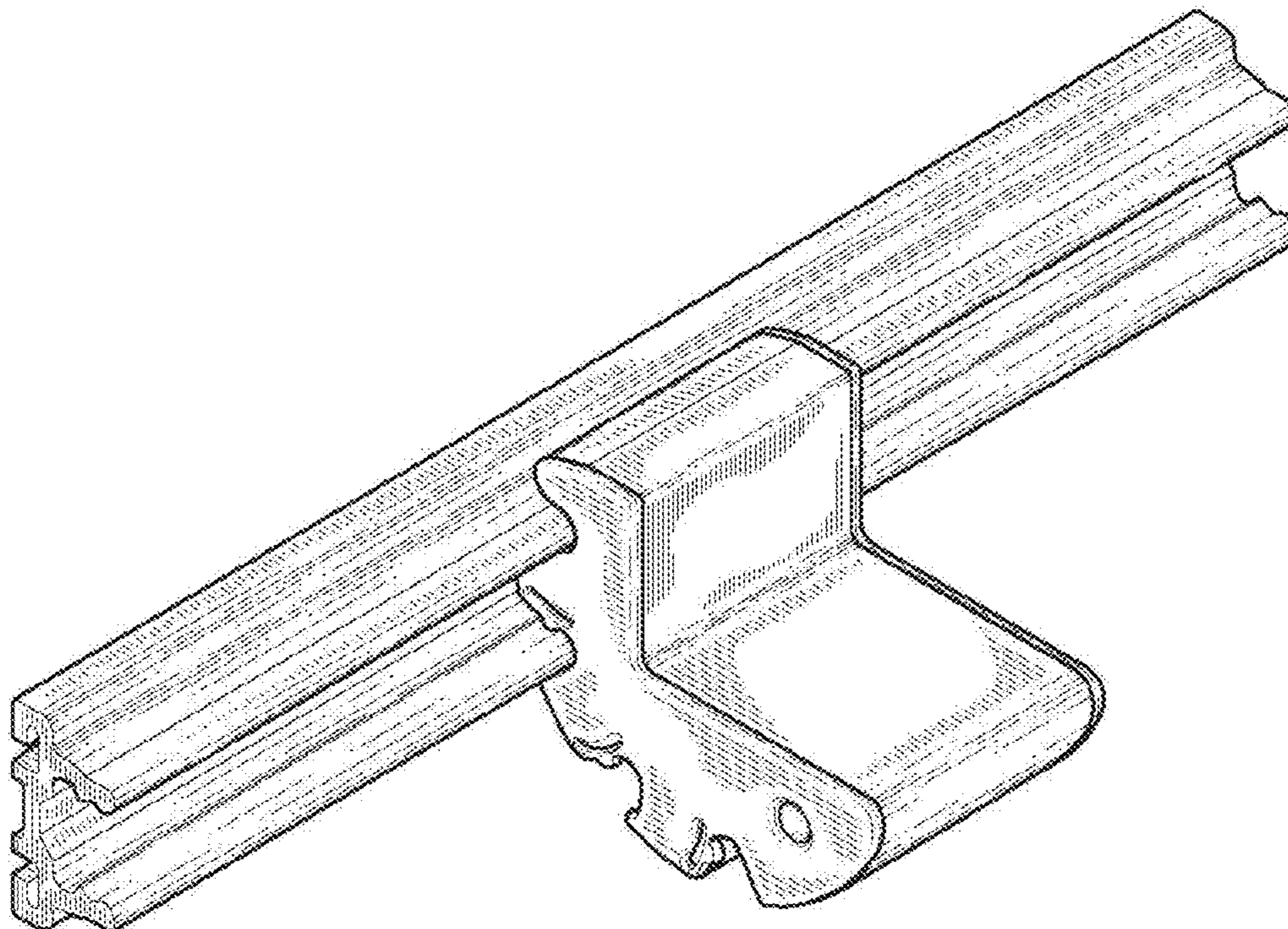
FIG. 1 is a perspective view of the mounting assembly showing my new design;

FIG. 2 is a perspective view thereof in exploded view;

FIG. 3 is a perspective view thereof showing only the mounting rail portion; and,

FIG. 4 is a perspective view thereof showing only the bracket portion.

1 Claim, 2 Drawing Sheets



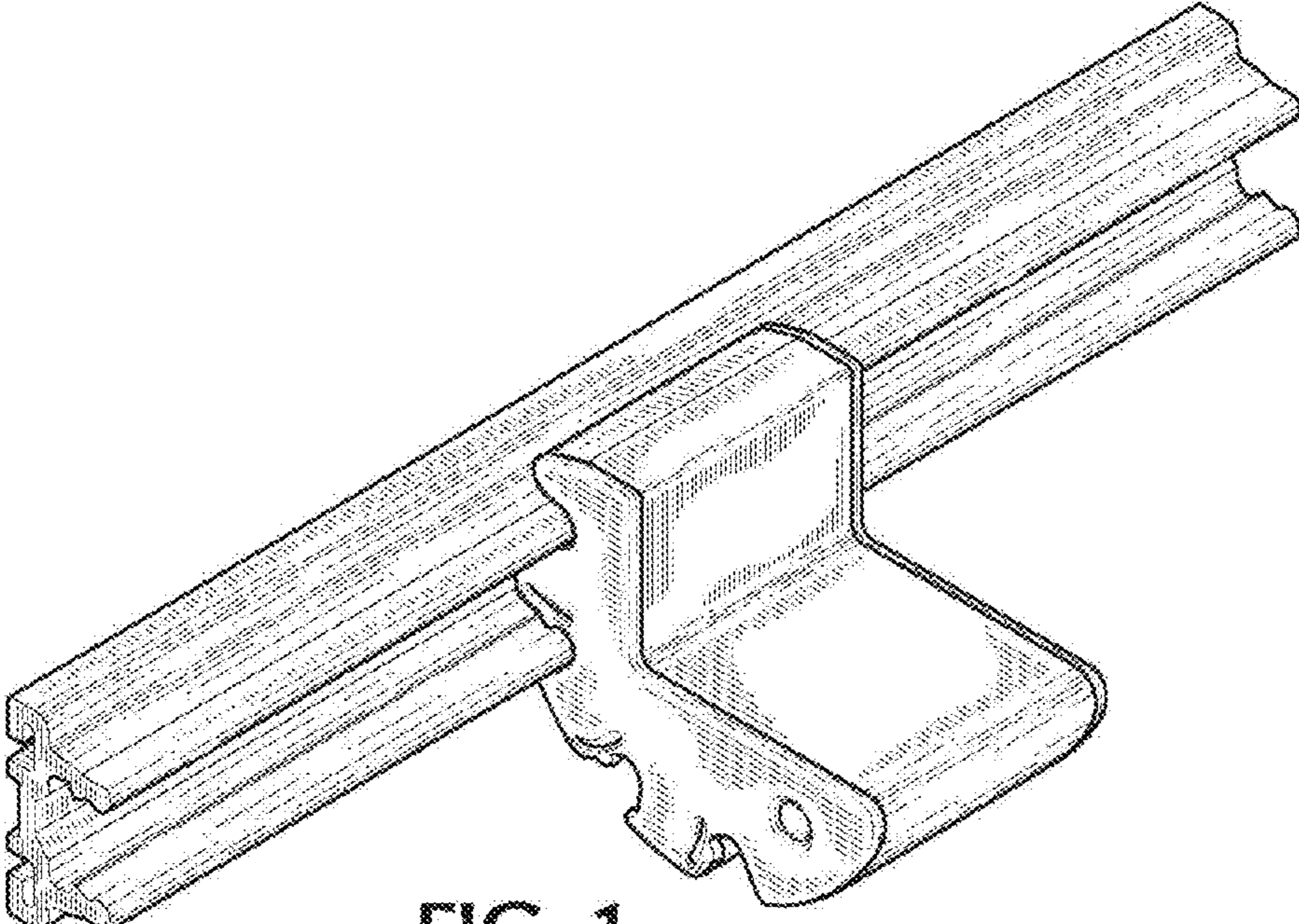


FIG. 1

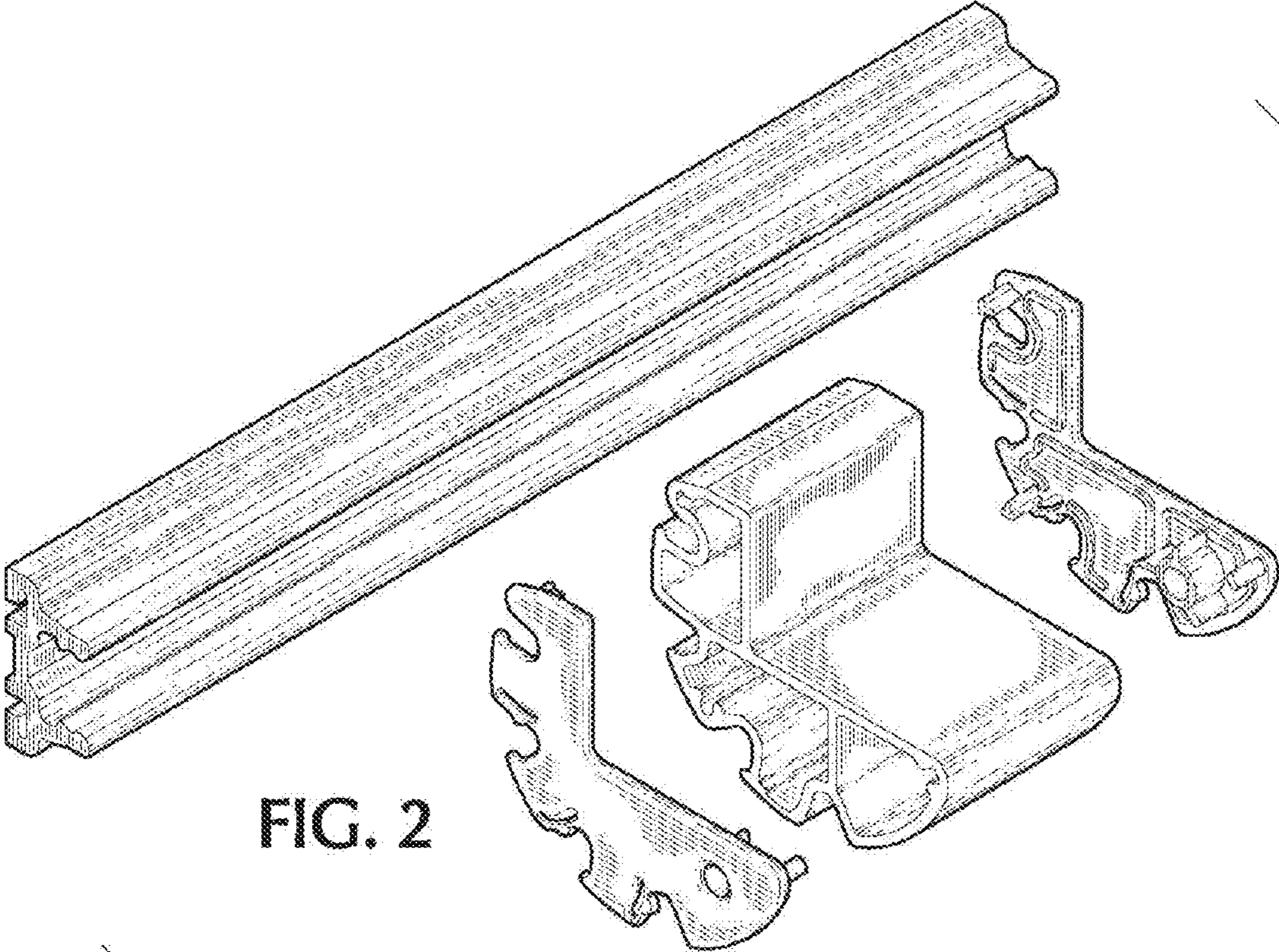


FIG. 2

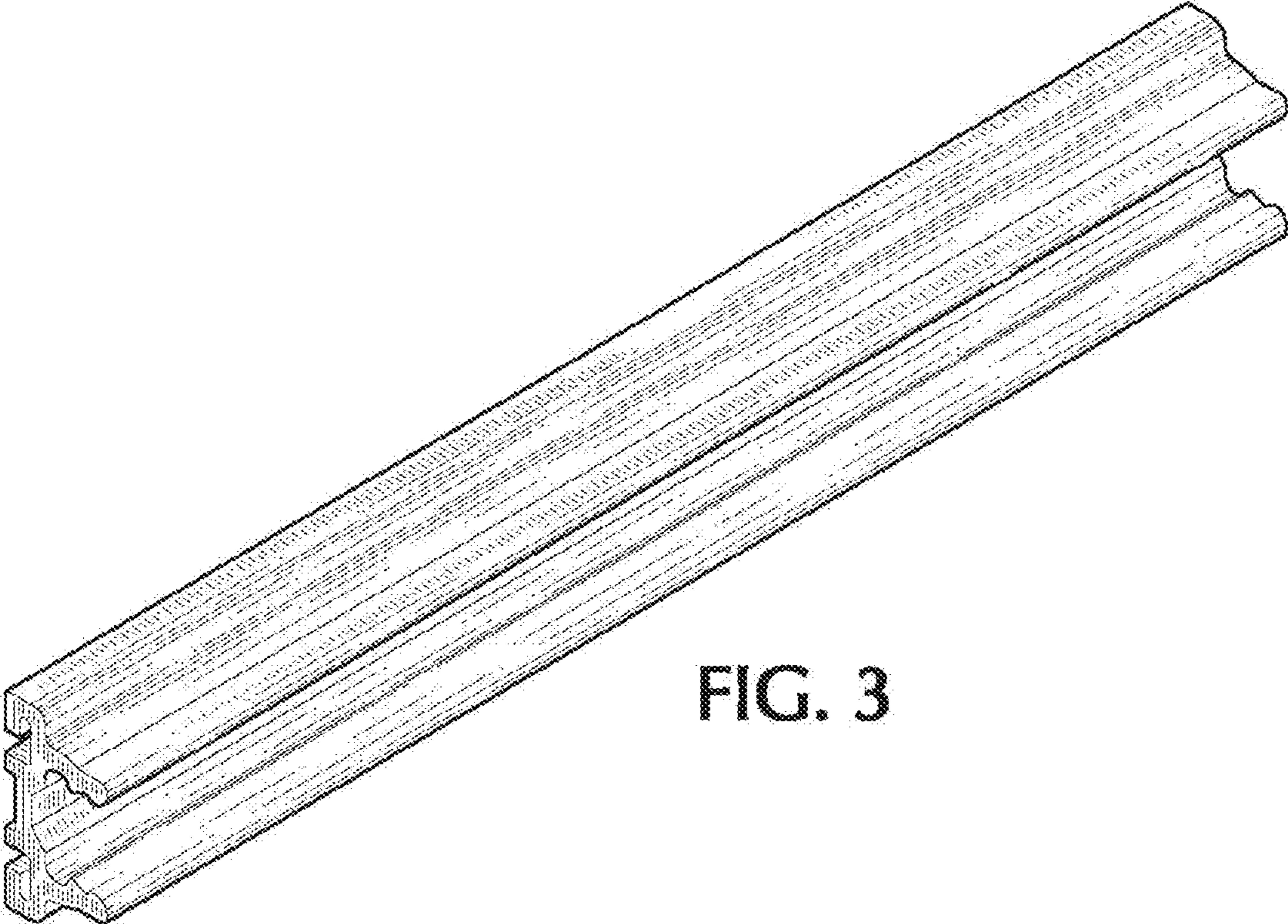


FIG. 3

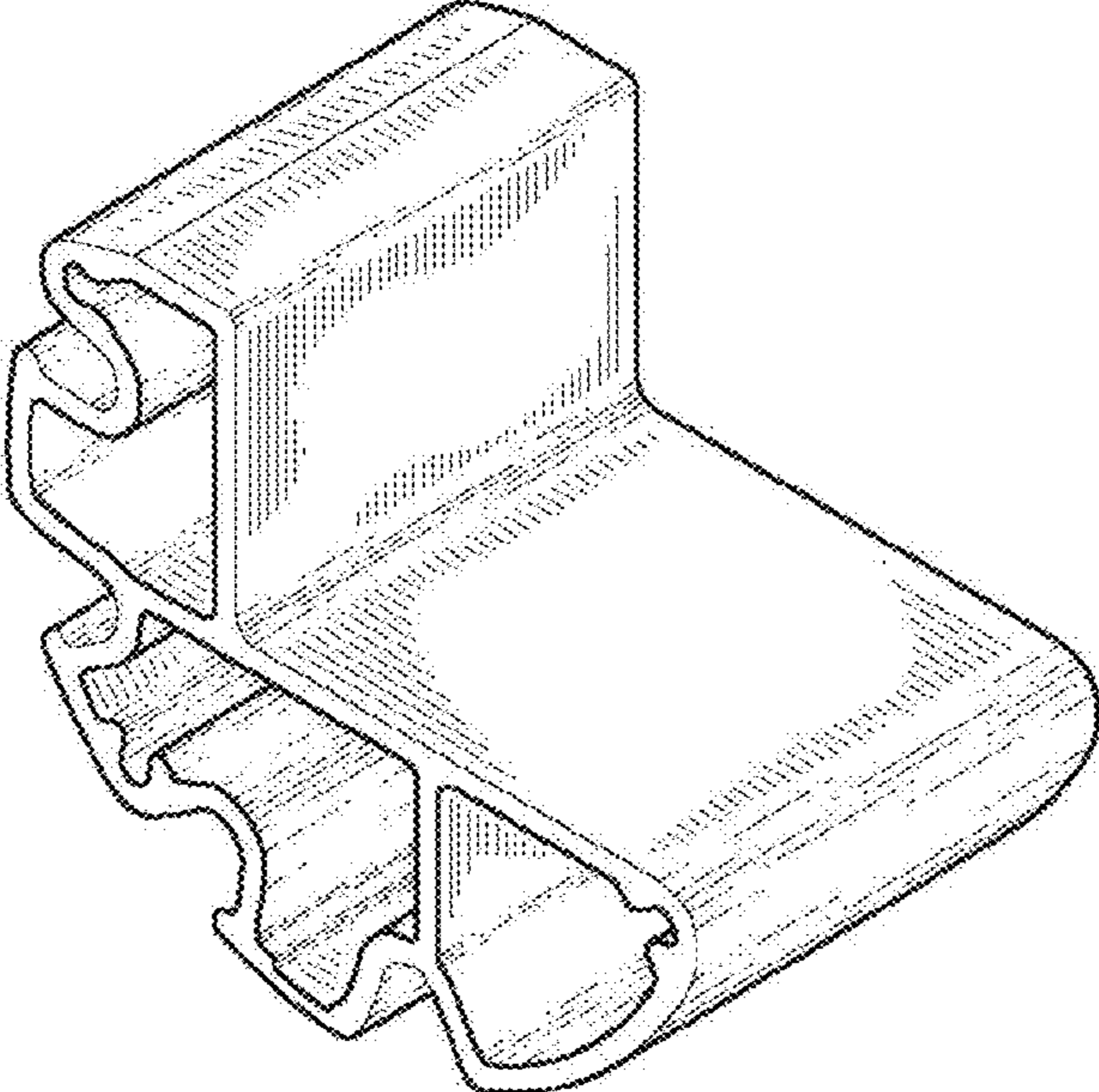


FIG. 4