



US00D741686S

(12) **United States Design Patent**
Rand

(10) **Patent No.:** **US D741,686 S**
(45) **Date of Patent:** **** Oct. 27, 2015**

- (54) **LIGHT SWORD KEY**
- (71) Applicant: **David W. Rand**, Longmont, CO (US)
- (72) Inventor: **David W. Rand**, Longmont, CO (US)
- (**) Term: **14 Years**
- (21) Appl. No.: **29/506,407**
- (22) Filed: **Oct. 15, 2014**
- (51) **LOC (10) Cl.** **08-07**
- (52) **U.S. Cl.**
USPC **D8/348**
- (58) **Field of Classification Search**
USPC D8/347, 348; 70/51, 336, 344, 348,
70/391, 393, 402, 408, 430, 395, 398, 410,
70/423, 424
CPC E05B 19/00; E05B 19/20; E05B 13/00;
E05B 11/00; E05B 19/04
See application file for complete search history.

- D449,500 S 10/2001 Kelleghan
- D461,701 S 8/2002 Kang
- 6,473,022 B1 10/2002 Wu
- D492,186 S 6/2004 Howard
- 6,755,061 B2 * 6/2004 Herzenberg 70/408
- D501,395 S 2/2005 Kelleghan
- 7,055,352 B2 * 6/2006 Meyerson et al. 70/456 R
- D533,765 S * 12/2006 Daugherty D8/347
- D544,767 S 6/2007 Kelleghan
- D566,524 S 4/2008 Daas
- D575,628 S 8/2008 Strawn
- 7,435,178 B1 10/2008 Tam et al.
- D586,646 S 2/2009 Rand
- D589,512 S 3/2009 Gray
- D602,340 S * 10/2009 Wurdack D8/347
- D607,710 S 1/2010 Rand
- D608,618 S 1/2010 Rand
- D613,148 S 4/2010 Rand
- D618,983 S * 7/2010 Downes D8/347
- D622,577 S 8/2010 Rand
- D632,947 S 2/2011 Rand

(Continued)

Primary Examiner — Prabhakar Deshmukh
(74) *Attorney, Agent, or Firm* — Patent Law Offices of R. Martin, PC

(56) **References Cited**

U.S. PATENT DOCUMENTS

- 2,824,478 A 2/1958 Shultz
- 2,903,935 A 9/1959 Raze
- D190,508 S 6/1961 Roger
- 3,427,833 A 2/1969 Lempke
- 3,526,112 A * 9/1970 Herrington 70/395
- D220,650 S 5/1971 Poznanovich
- 3,587,260 A * 6/1971 Tajiri 70/395
- D225,301 S 12/1972 Ulirido
- 3,895,508 A * 7/1975 Crasnianski 70/395
- D286,400 S 10/1986 Moller
- D286,413 S 10/1986 DeFrancesco
- D293,730 S 1/1988 Blatnick
- D329,668 S 9/1992 Connelly
- D386,373 S 11/1997 Weinmuller
- D397,027 S 8/1998 Brown
- D417,834 S * 12/1999 Rompel D8/348
- D418,646 S 1/2000 Hampshire
- D418,859 S 1/2000 Herbold
- 6,184,804 B1 2/2001 Harrison

(57) **CLAIM**

The ornamental design for a light sword key, as shown and described.

DESCRIPTION

FIG. 1 is a perspective view of a light sword key showing my new design;
FIG. 2 is a top plan view thereof;
FIG. 3 is a bottom plan view thereof;
FIG. 4 is a left side elevational view thereof;
FIG. 5 is a right side elevational view thereof;
FIG. 6 is a front elevational view thereof; and
FIG. 7 is a rear elevational view thereof.
The broken lines are for illustrative purpose and form no part of the claimed design.

1 Claim, 3 Drawing Sheets



US D741,686 S

Page 2

(56)

References Cited

U.S. PATENT DOCUMENTS

D633,370 S 3/2011 Rand
D659,512 S * 5/2012 Dhaliwal D8/348
D663,607 S 7/2012 Rand

D691,021 S 10/2013 Rand
D691,022 S 10/2013 Rand
D707,104 S 6/2014 Rand
D716,131 S 10/2014 Rand
D717,154 S * 11/2014 Li D8/347

* cited by examiner

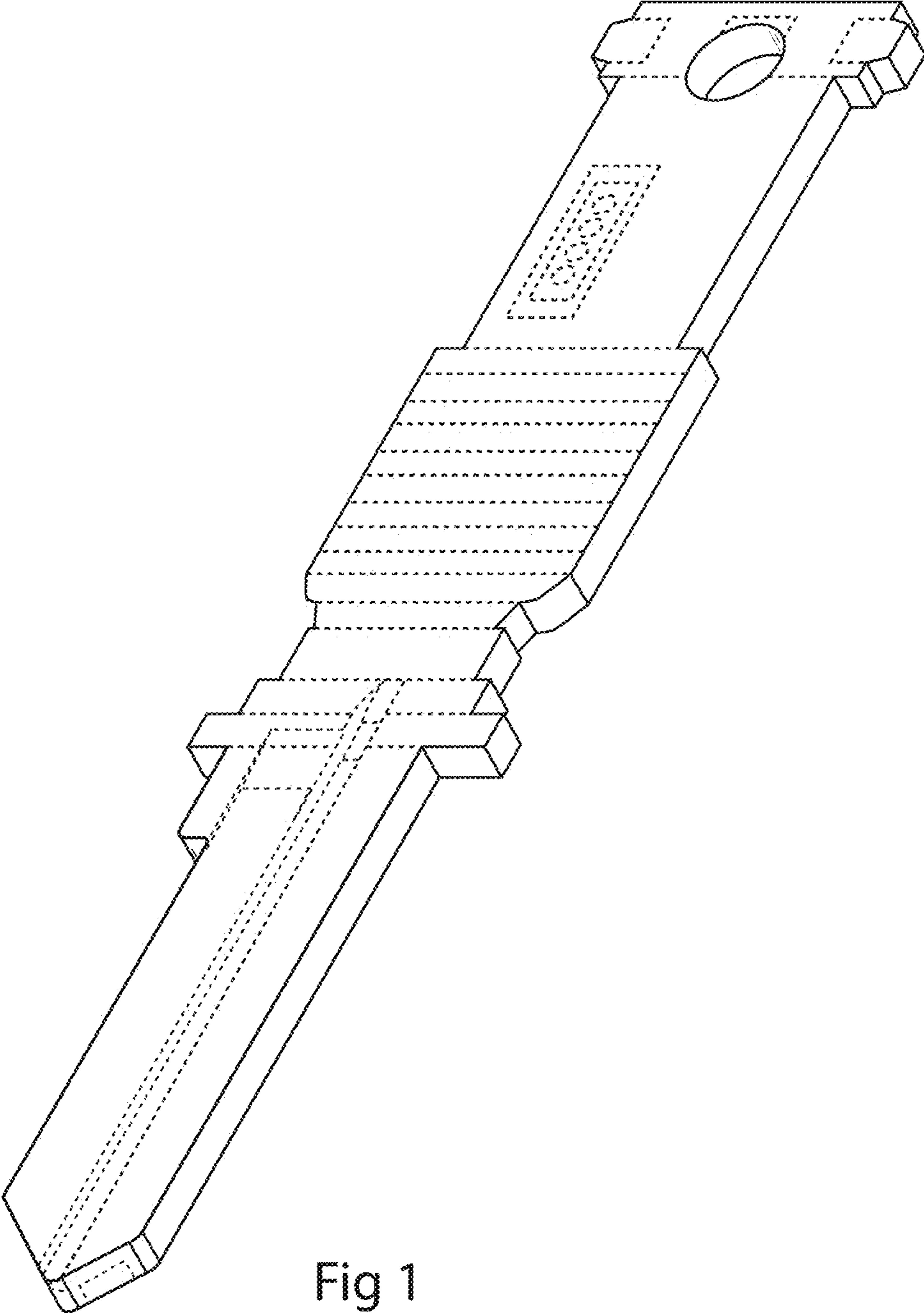


Fig 1

Fig 2

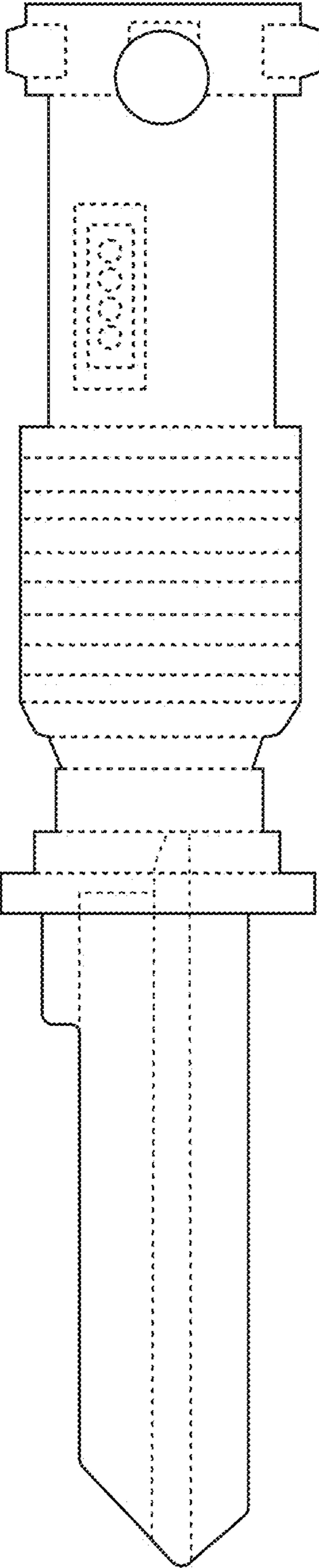


Fig 3

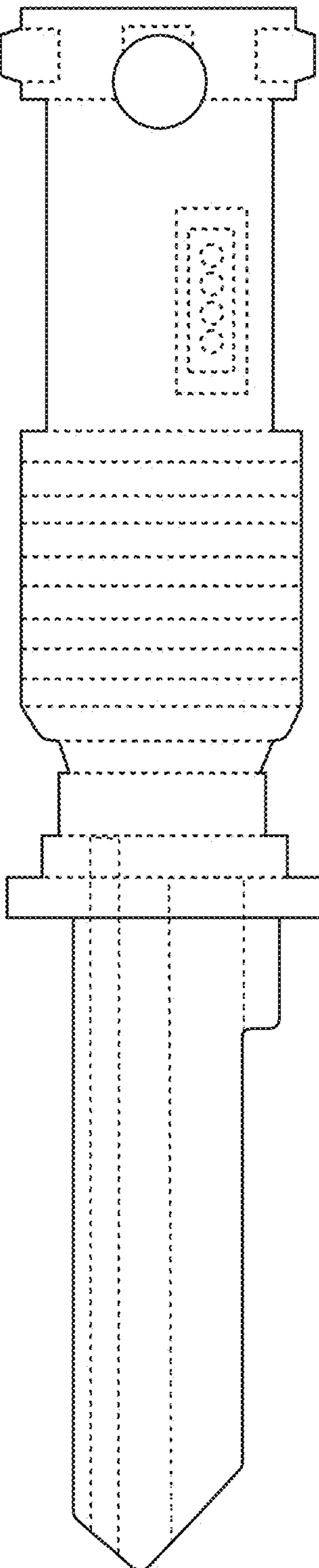


Fig 4

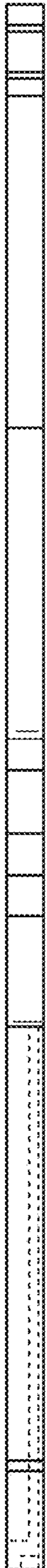


Fig 5



Fig 6



Fig 7

