



US00D741679S

(12) **United States Design Patent**
White et al.

(10) **Patent No.:** **US D741,679 S**
(45) **Date of Patent:** **** Oct. 27, 2015**

- (54) **TIRE SERVICE HAMMER**
- (71) Applicants: **Michael White**, Montgomery City, MO (US); **Robert Kochie**, Dodge Center, MN (US); **Robert Jensen**, Clarks Grove, MN (US)
- (72) Inventors: **Michael White**, Montgomery City, MO (US); **Robert Kochie**, Dodge Center, MN (US); **Robert Jensen**, Clarks Grove, MN (US)
- (73) Assignee: **Bosch Automotive Service Solutions Inc.**, Warren, MI (US)
- (**) Term: **14 Years**
- (21) Appl. No.: **29/457,214**
- (22) Filed: **Jun. 7, 2013**
- (51) **LOC (10) Cl.** **08-02**
- (52) **U.S. Cl.**
USPC **D8/75; D8/81**
- (58) **Field of Classification Search**
USPC D8/11, 12, 14, 31, 47, 75-81, 105;
D22/117-118; 7/143-147;
30/308-308.2; 81/19-24; 254/26 R,
254/26 E
CPC B25C 11/00; B25D 1/00; B25D 1/04;
B25D 1/045; B25D 7/00; B25F 1/00; B25G
3/10; B25G 3/34; B25G 3/36; B26B 23/00
See application file for complete search history.

(56) **References Cited**

U.S. PATENT DOCUMENTS

D44,649	S	*	9/1913	Andersen	D8/79
D50,015	S	*	12/1916	Cooper	D8/76
1,284,575	A	*	11/1918	Bojko	125/43
1,428,287	A	*	9/1922	Holmes	30/308.1
2,576,243	A	*	11/1951	Stevens	254/26 R
3,896,864	A	*	7/1975	Green et al.	81/19
D300,001	S	*	2/1989	Oberg	D8/78

5,674,002	A	*	10/1997	Powell et al.	703/1
D426,128	S	*	6/2000	Lamond et al.	D8/75
6,266,834	B1	*	7/2001	Walsh et al.	7/144
6,564,849	B1	*	5/2003	Kusner	157/1.3
D572,993	S	*	7/2008	Baty et al.	D8/78
D583,641	S	*	12/2008	Fortier et al.	D8/76
D672,218	S	*	12/2012	Youngren et al.	D8/78
2014/0359949	A1	*	12/2014	Kochie et al.	7/100

OTHER PUBLICATIONS

TG35 Heavy Duty Tire Hammer. Downloaded from <http://www.gemplers.com/product/TG35/18-Heavy-duty-Tire-Hammer?gclid=CP-7r6flys...> on Dec. 11, 2014.*
 OTC Tools Tire Service Hammer. Downloaded from http://www.tooltopia.com/otc-tools-5789id-520.aspx?utm_source=google&utm_medium... on Dec. 11, 2014.*
 5 Tire Hammers. Downloaded from http://www.alltiresupply.com/c-Tire_Hammer.html on Dec. 11, 2014.*

* cited by examiner

Primary Examiner — Philip S Hyder

Assistant Examiner — Roselynn Cody

(74) *Attorney, Agent, or Firm* — Baker & Hostetler LLP

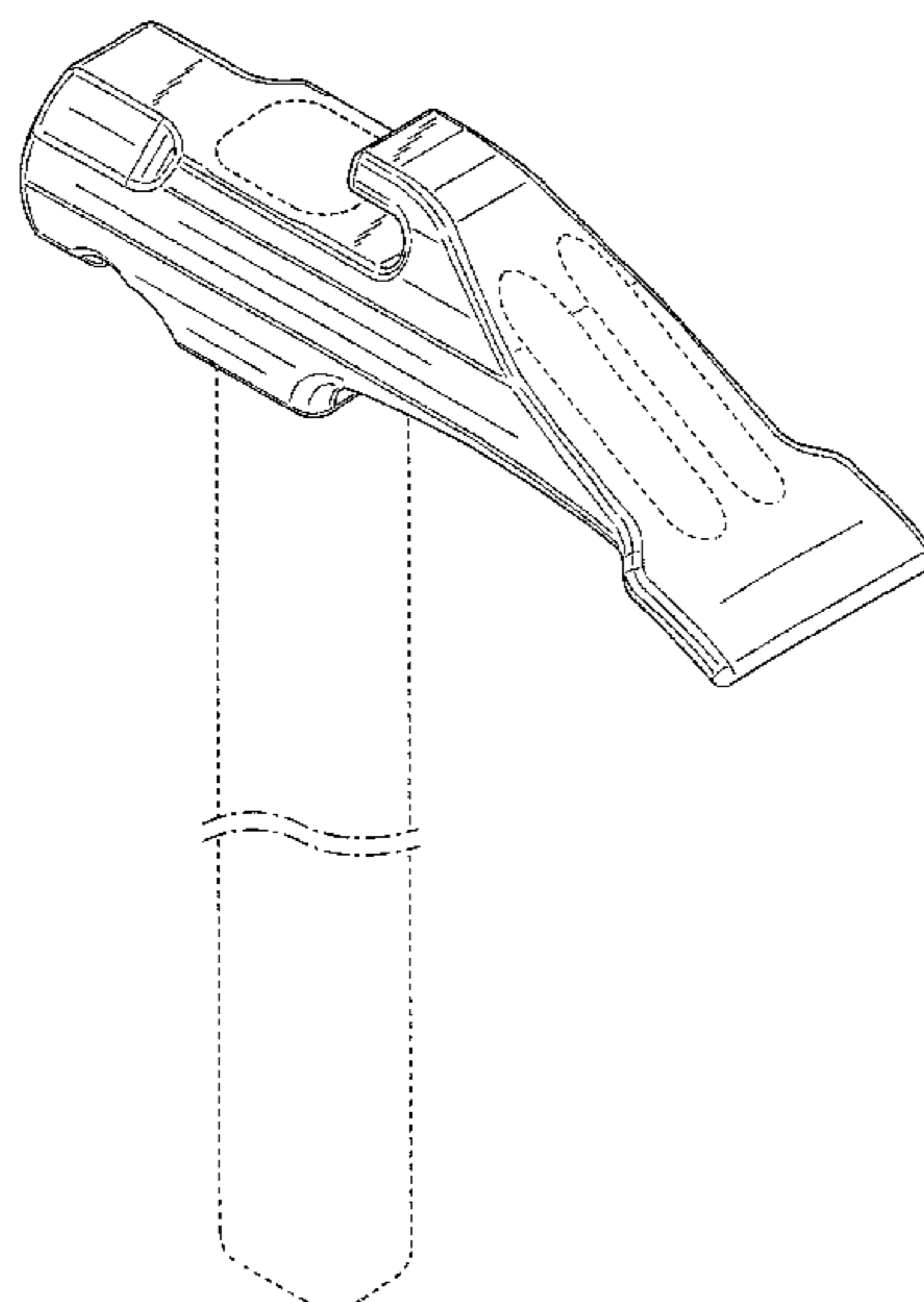
(57) **CLAIM**

The ornamental design for a tire service hammer, as shown and described.

DESCRIPTION

FIG. 1 is a perspective view of a tire service hammer showing an embodiment of our new design;
 FIG. 2 is a front view of the design shown in FIG. 1;
 FIG. 3 is a rear view of the design shown in FIG. 1;
 FIG. 4 is a left side view of the design shown in FIG. 1;
 FIG. 5 is a right side view of the design shown in FIG. 1;
 FIG. 6 is a top view of the design shown in FIG. 1; and,
 FIG. 7 is a bottom view of the design shown in FIG. 1.
 The broken line showing of a handle, grooves, and handle openings is directed to aspects of the tire service hammer that form no part of the claim.

1 Claim, 7 Drawing Sheets



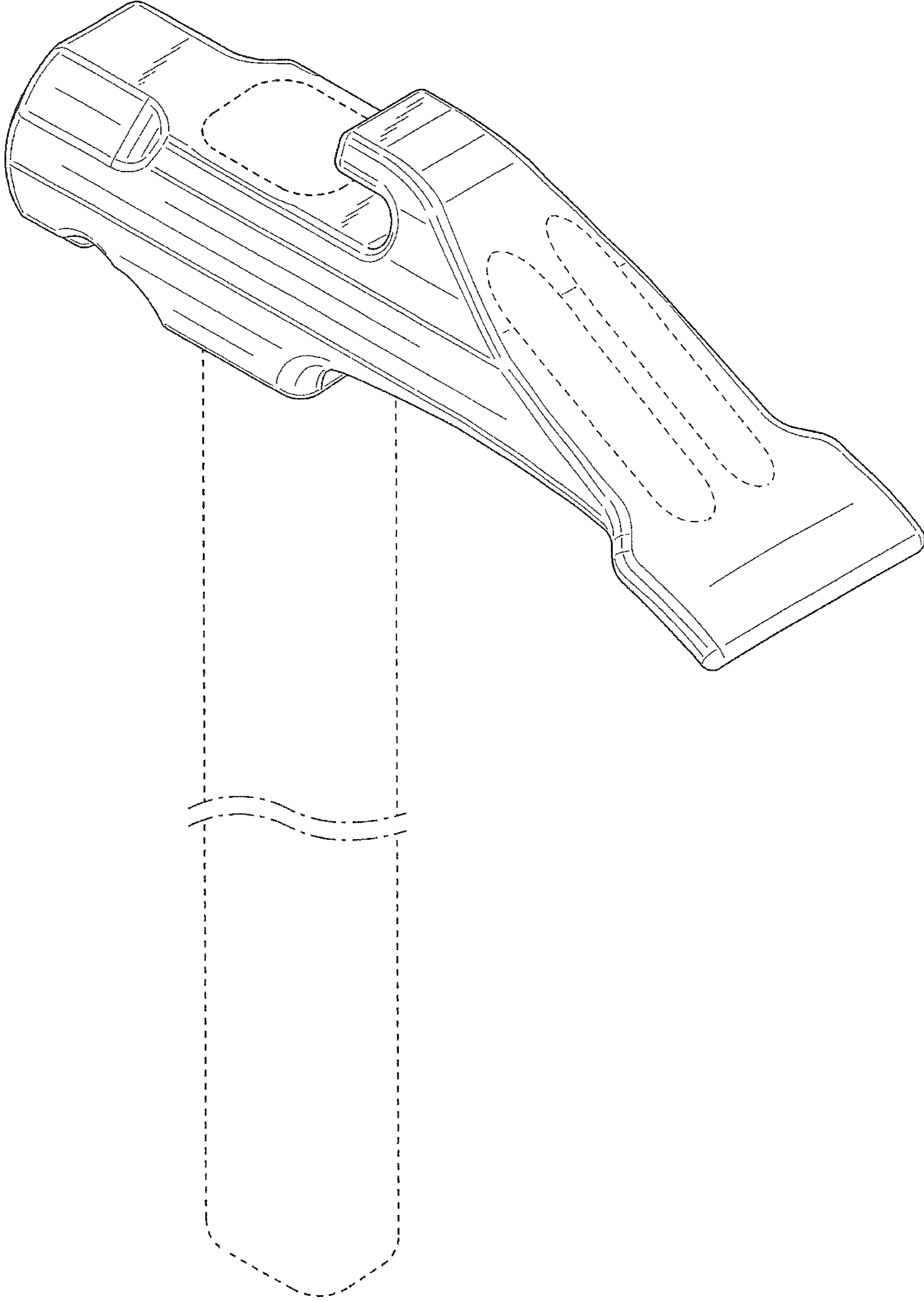


FIGURE 1

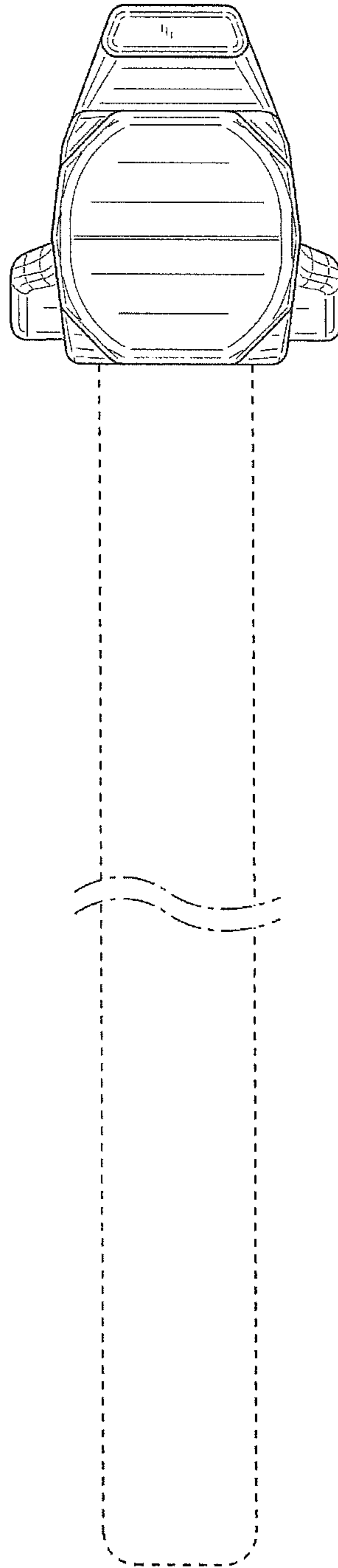


FIGURE 2

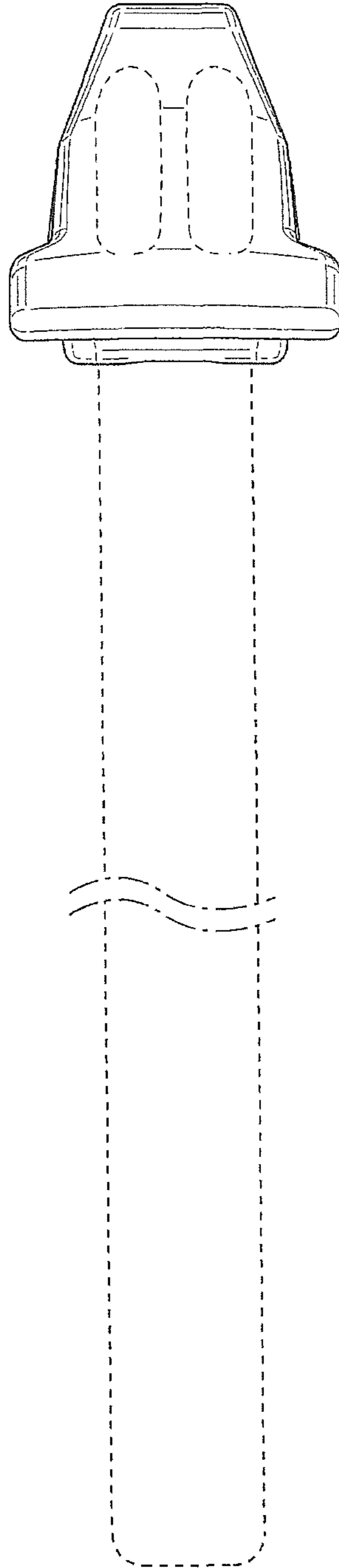


FIGURE 3

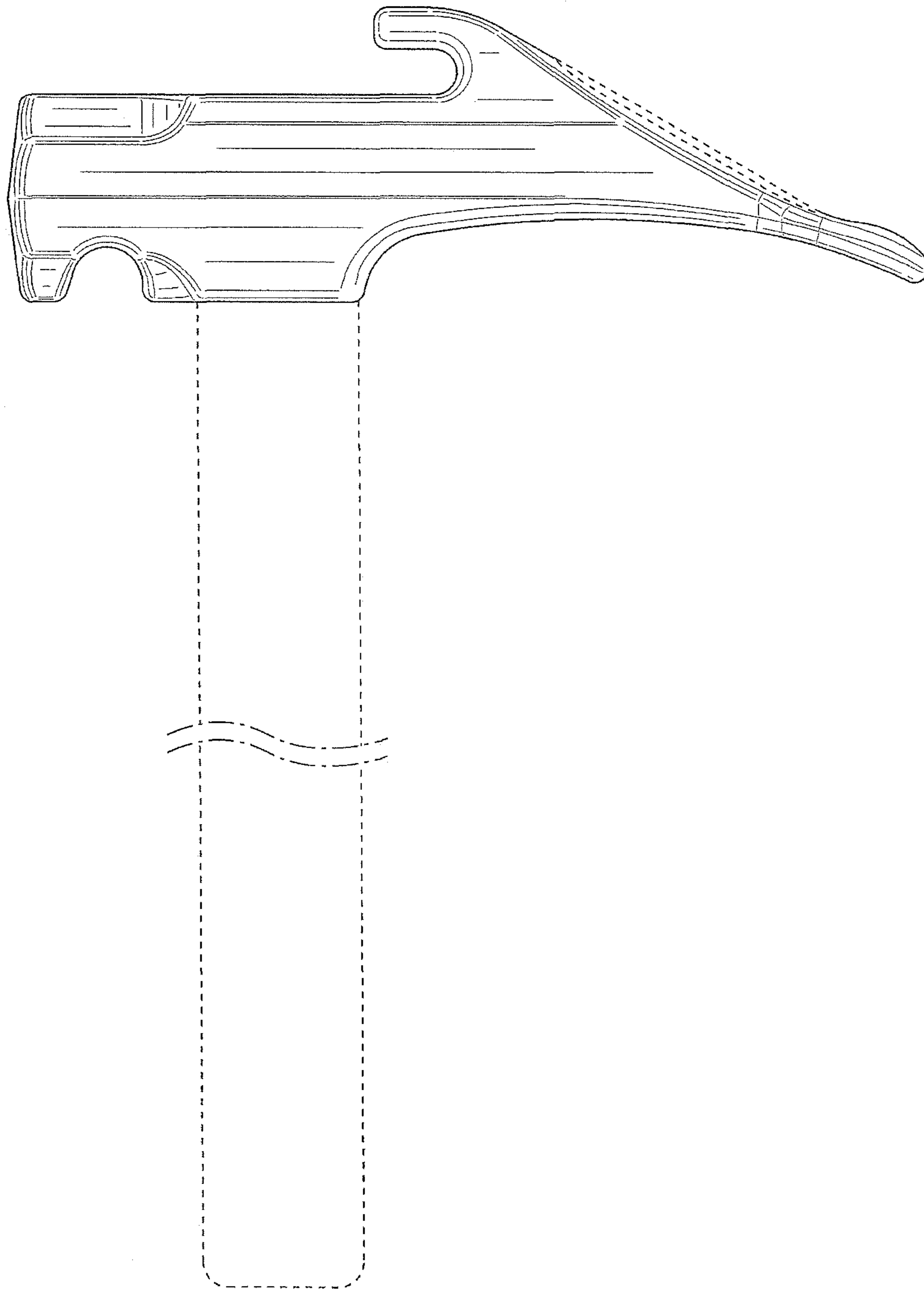


FIGURE 4

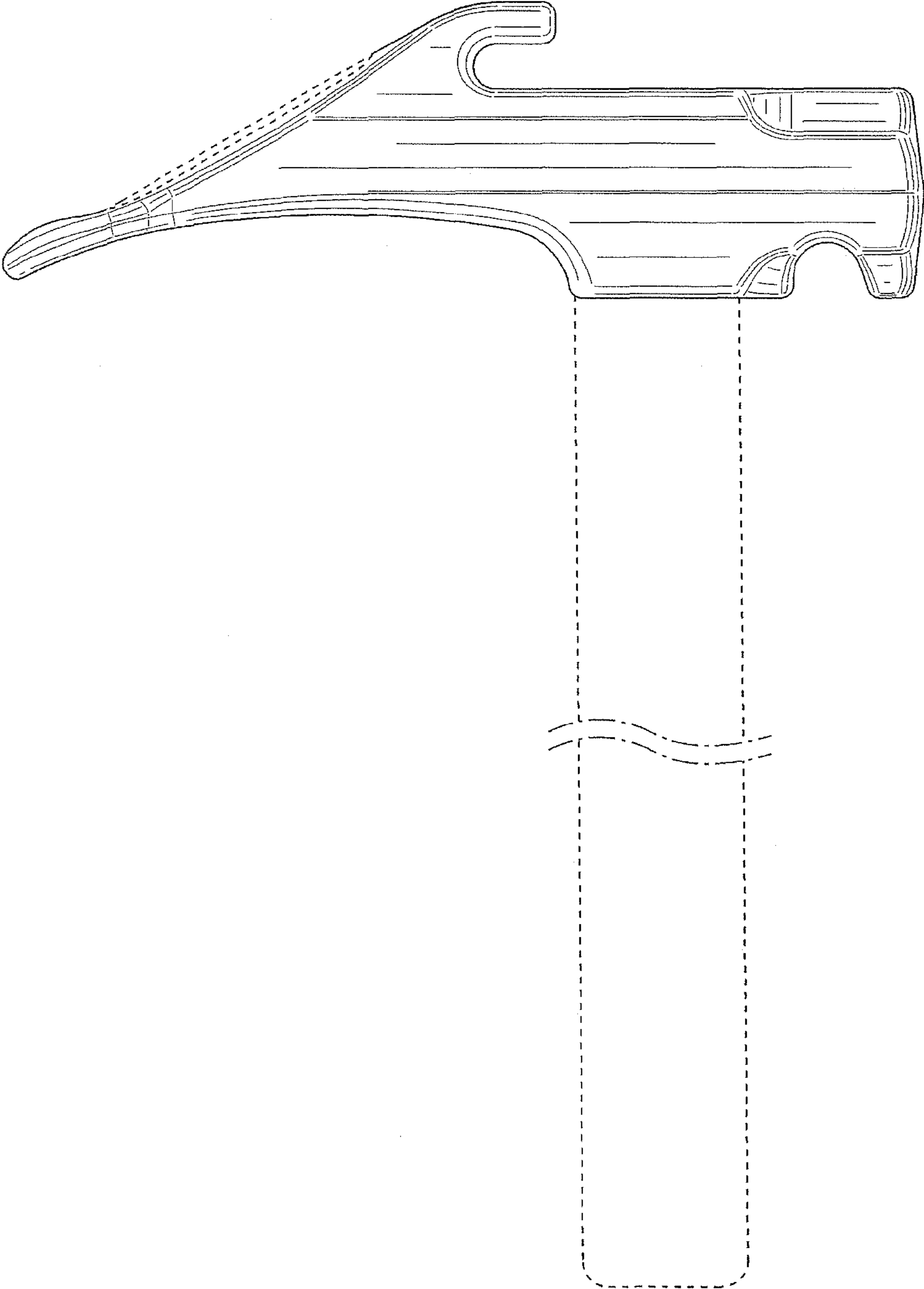


FIGURE 5

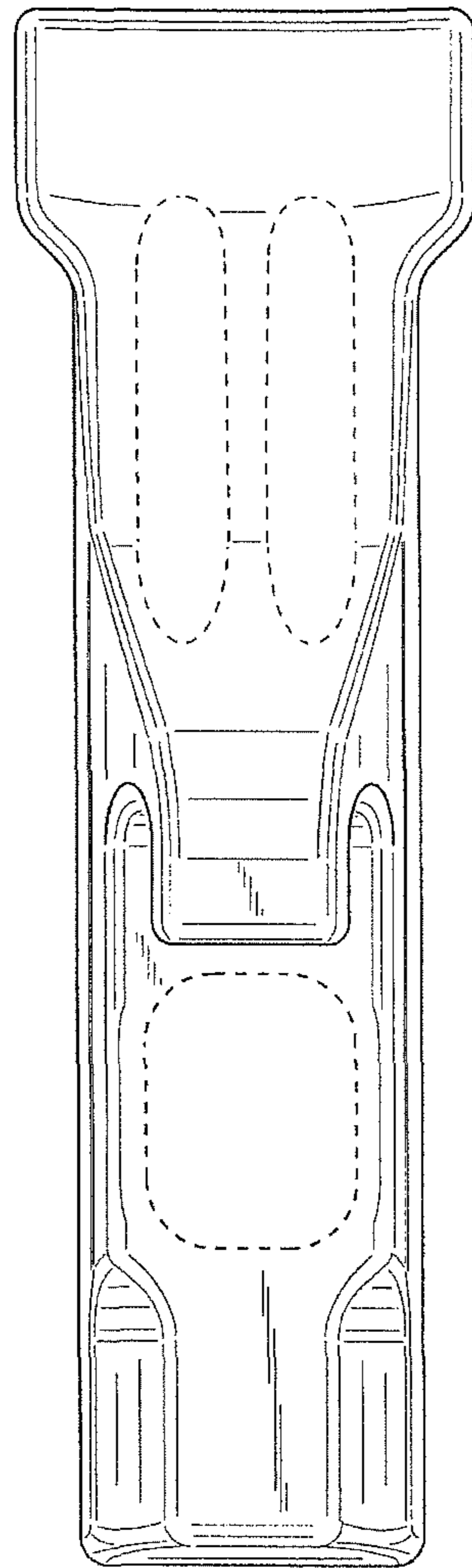


FIGURE 6

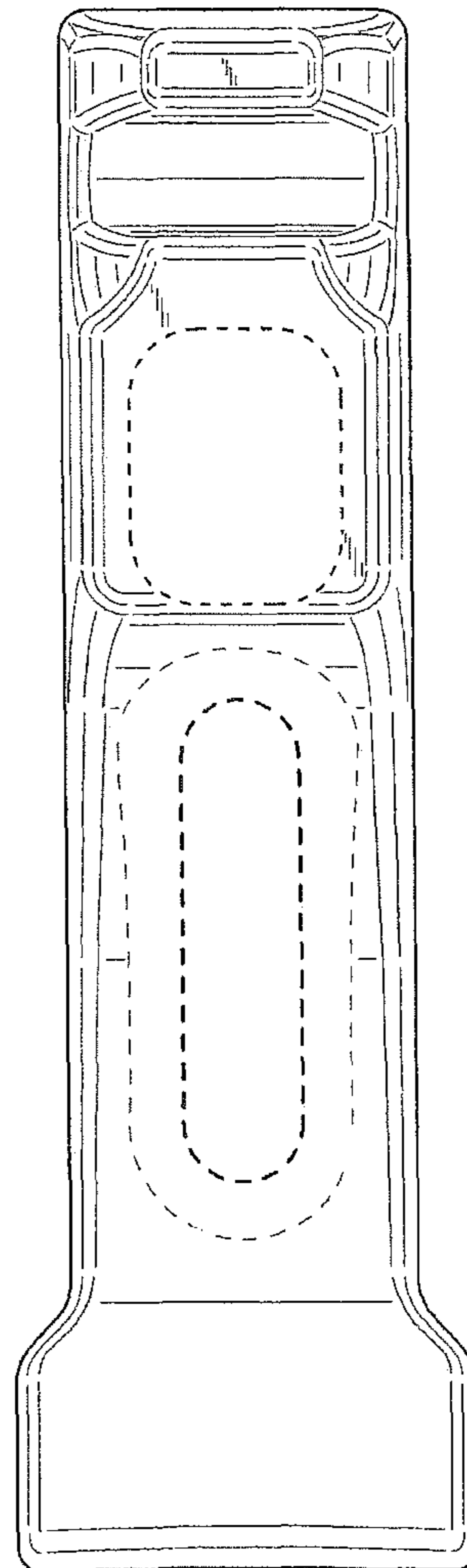


FIGURE 7