



US00D741677S

(12) **United States Design Patent**  
**Wenchel**

(10) **Patent No.:** **US D741,677 S**  
(45) **Date of Patent:** **\*\* Oct. 27, 2015**

(54) **LAMINATE TRIMMER**

(71) Applicant: **BLACK & DECKER INC.**, Newark,  
DE (US)

(72) Inventor: **Lauren M. Wenchel**, Parkville, MD  
(US)

(73) Assignee: **BLACK & DECKER INC.**, Newark,  
DE (US)

(\*\*) Term: **14 Years**

(21) Appl. No.: **29/490,414**

(22) Filed: **May 9, 2014**

(51) **LOC (10) Cl.** ..... **08-01**

(52) **U.S. Cl.**  
USPC ..... **D8/61; D8/67**

(58) **Field of Classification Search**  
USPC ..... D8/61, 67, 70, 107; 409/182, 180, 134,  
409/132, 131; 144/48.6, 252.1, 154.5,  
144/136.95

CPC ..... B27C 5/10; B29C 2059/02; B27D 5/006;  
B23B 45/00; E04F 2019/00; B27G 13/00

See application file for complete search history.

(56) **References Cited**

**U.S. PATENT DOCUMENTS**

D349,637 S \* 8/1994 Hoshino et al. .... D8/67  
D416,460 S \* 11/1999 Bosten et al. .... D8/67  
D444,364 S \* 7/2001 Evans ..... D8/67  
D470,377 S \* 2/2003 Lopano ..... D8/67  
D473,439 S \* 4/2003 Grant et al. .... D8/61

D473,772 S \* 4/2003 Lopano ..... D8/67  
D495,226 S \* 8/2004 Grant et al. .... D8/61  
D511,079 S \* 11/2005 Ozawa et al. .... D8/67  
D531,870 S \* 11/2006 Andriolo ..... D8/67  
D531,871 S \* 11/2006 Etter et al. .... D8/67  
D538,614 S \* 3/2007 Aglassinger ..... D8/61  
D545,158 S \* 6/2007 Corcoran ..... D8/67  
D546,654 S \* 7/2007 Etter et al. .... D8/67  
D567,613 S \* 4/2008 Steinfels ..... D8/67  
D584,590 S \* 1/2009 Etter et al. .... D8/67  
D588,428 S \* 3/2009 Etter et al. .... D8/67  
D591,575 S \* 5/2009 Yamamoto ..... D8/67  
D601,396 S \* 10/2009 Yamamoto ..... D8/67  
D611,509 S \* 3/2010 Thorson et al. .... D15/127  
D717,624 S \* 11/2014 Wenchel ..... D8/61  
D724,920 S \* 3/2015 Fisher ..... D8/61  
D724,921 S \* 3/2015 Fisher ..... D8/61

\* cited by examiner

*Primary Examiner* — Austin Murphy

(74) *Attorney, Agent, or Firm* — Rhonda L. Barton

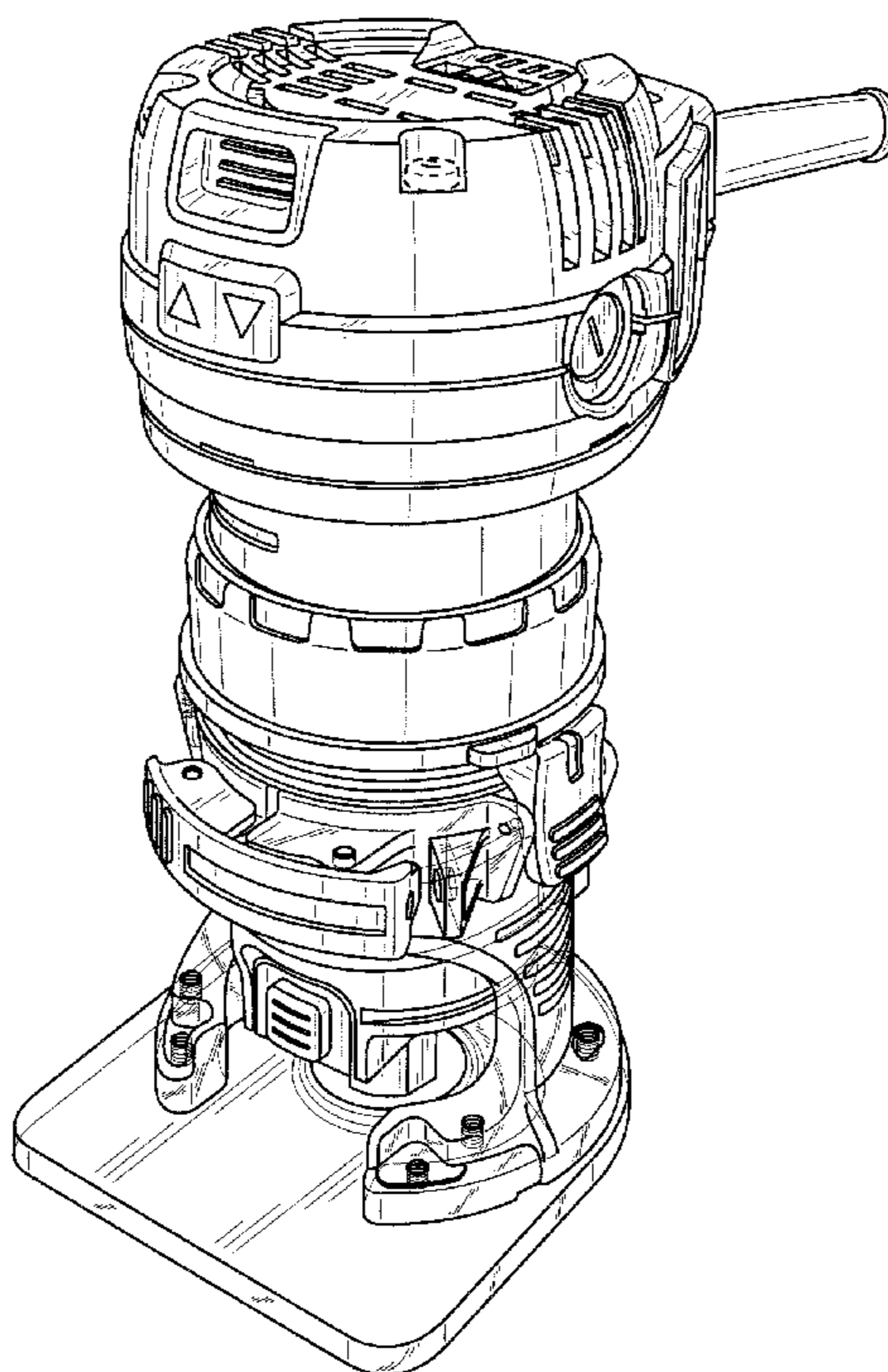
(57) **CLAIM**

The ornamental design for a laminate trimmer, as shown and described.

**DESCRIPTION**

FIG. 1 is a right perspective view of a laminate trimmer showing my new design;  
FIG. 2 is a front view thereof;  
FIG. 3 is a rear view thereof;  
FIG. 4 is a left side view thereof;  
FIG. 5 is a right side view thereof;  
FIG. 6 is a top view thereof; and,  
FIG. 7 is a bottom view thereof.

**1 Claim, 7 Drawing Sheets**



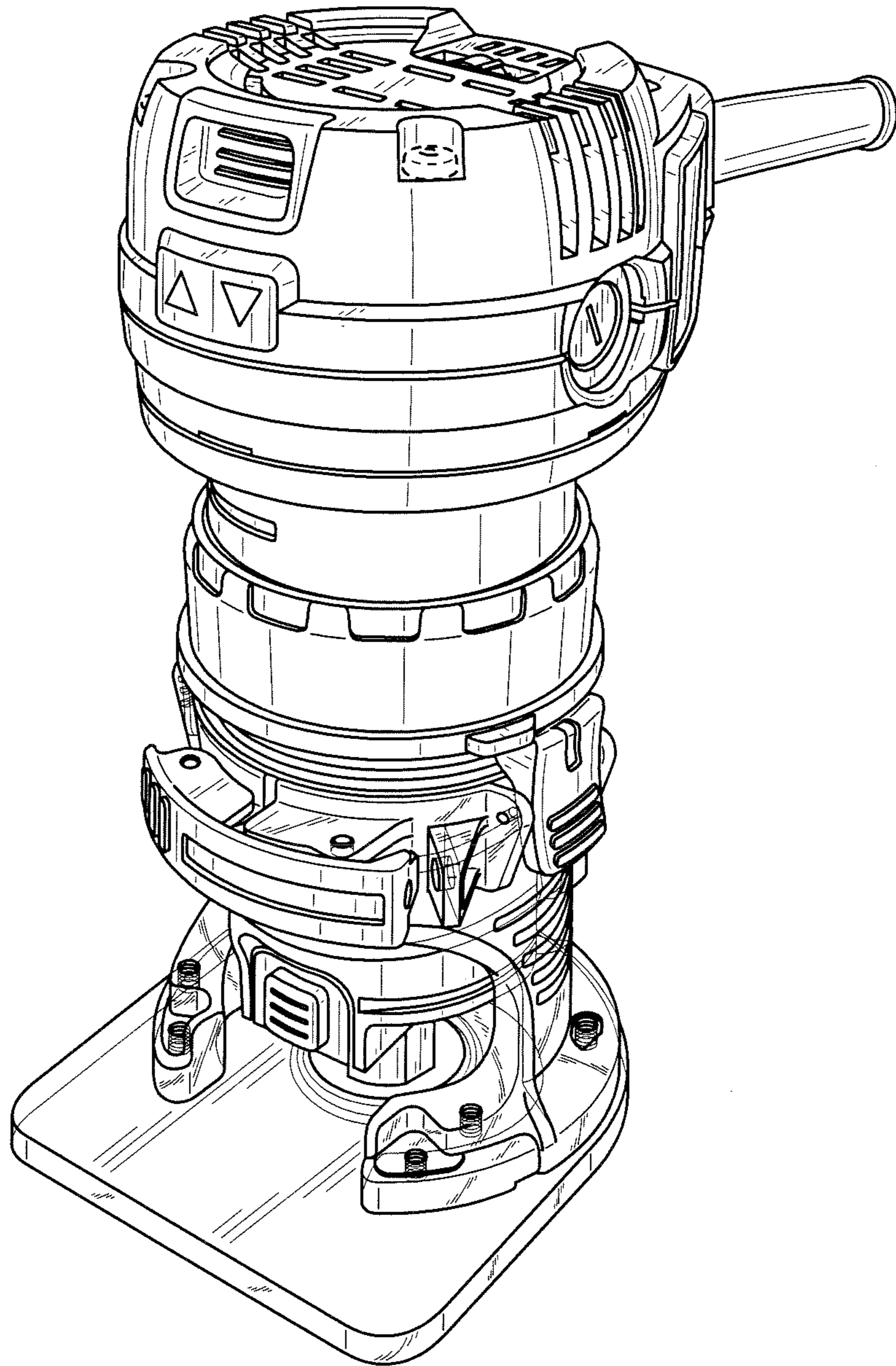


FIG. 1

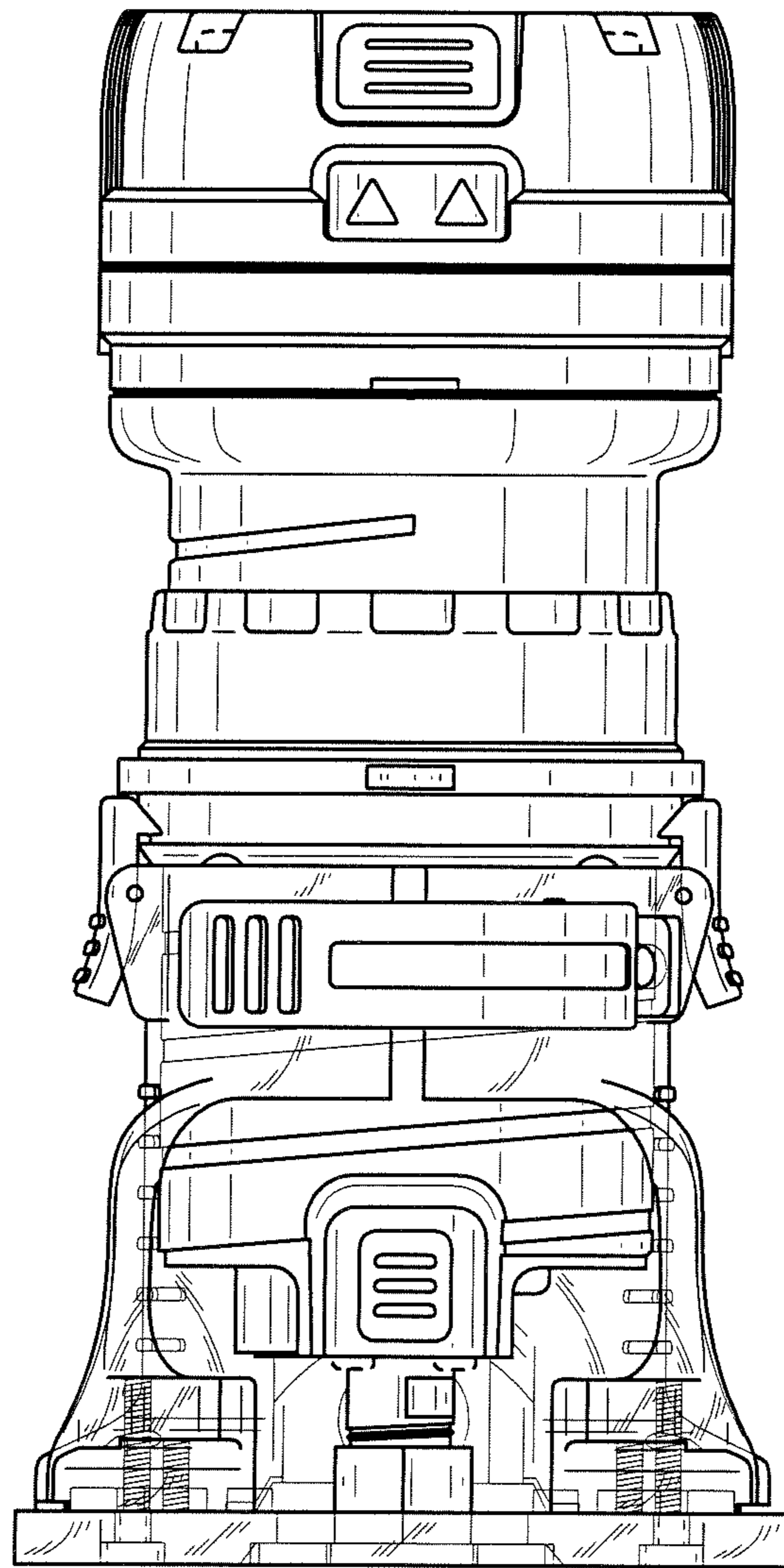


FIG. 2

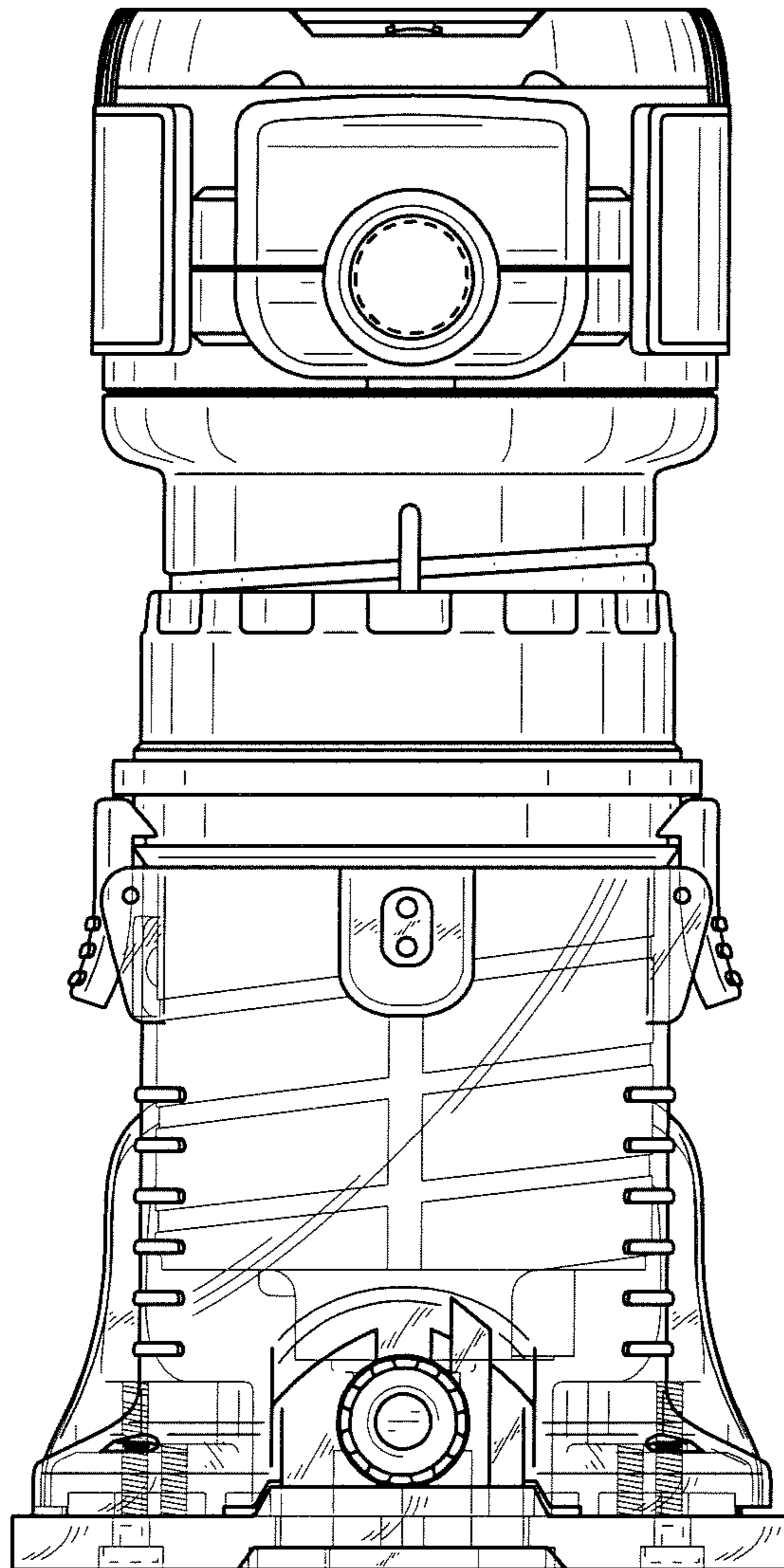


FIG. 3

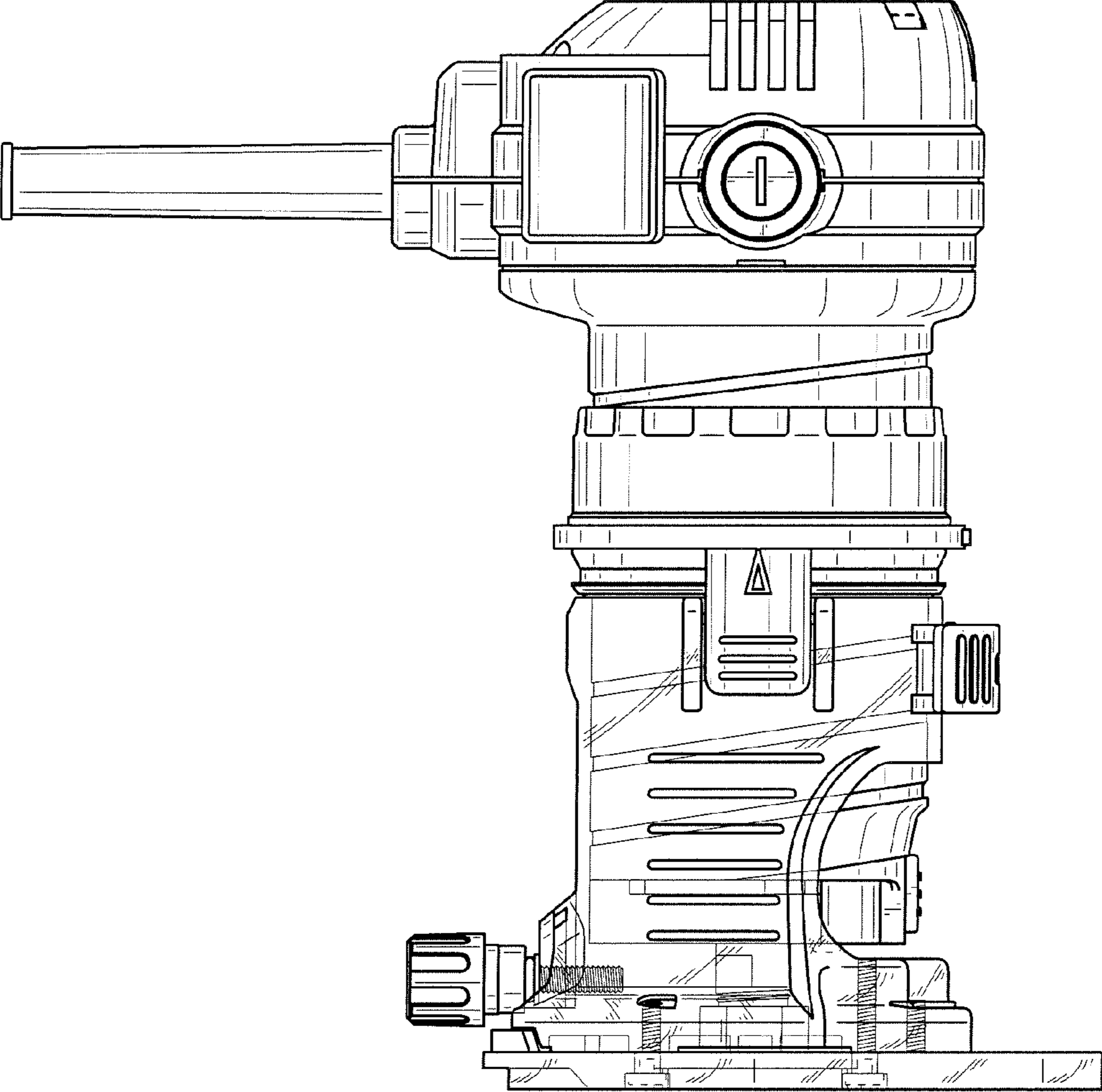


FIG. 4

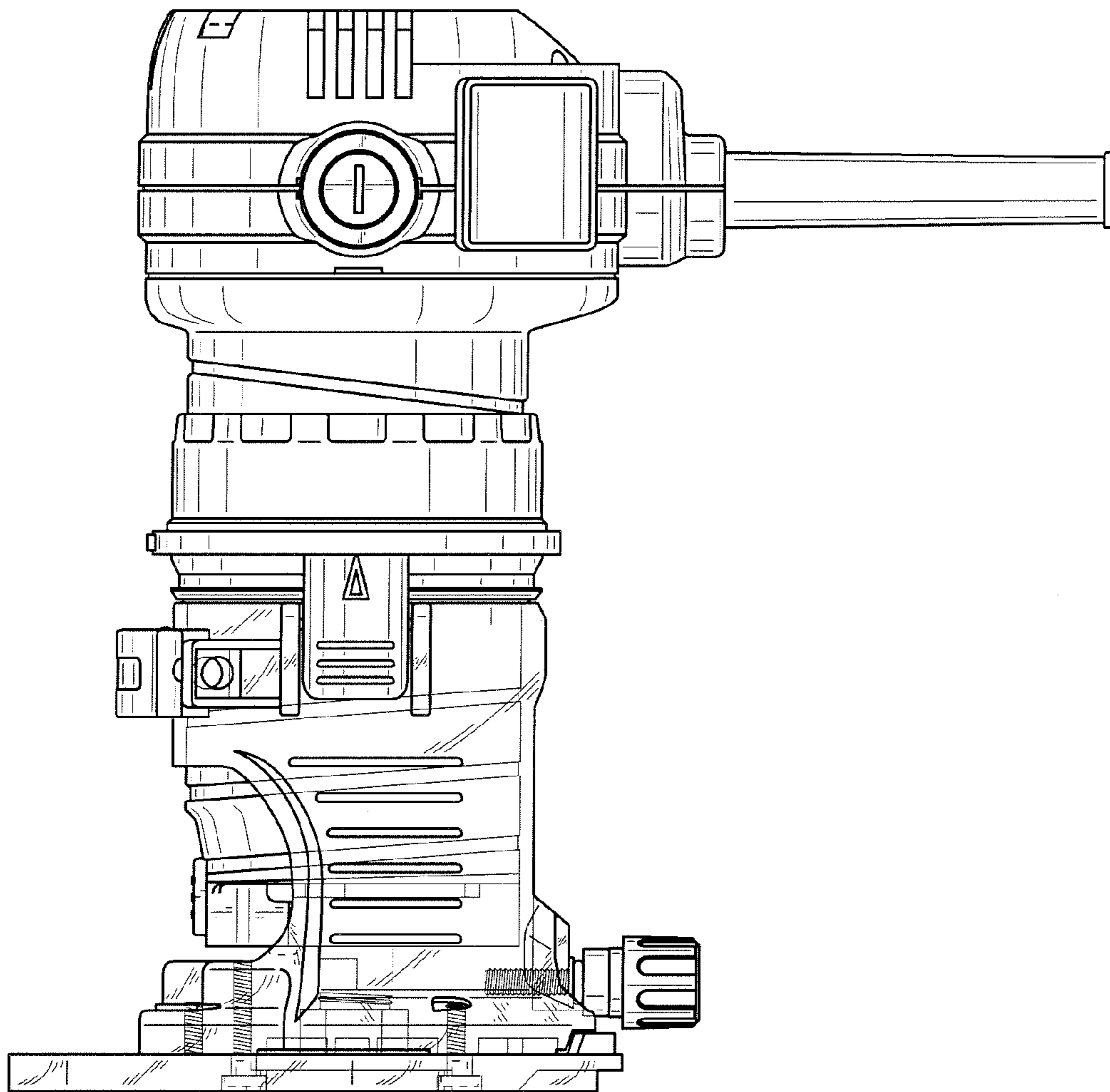


FIG. 5

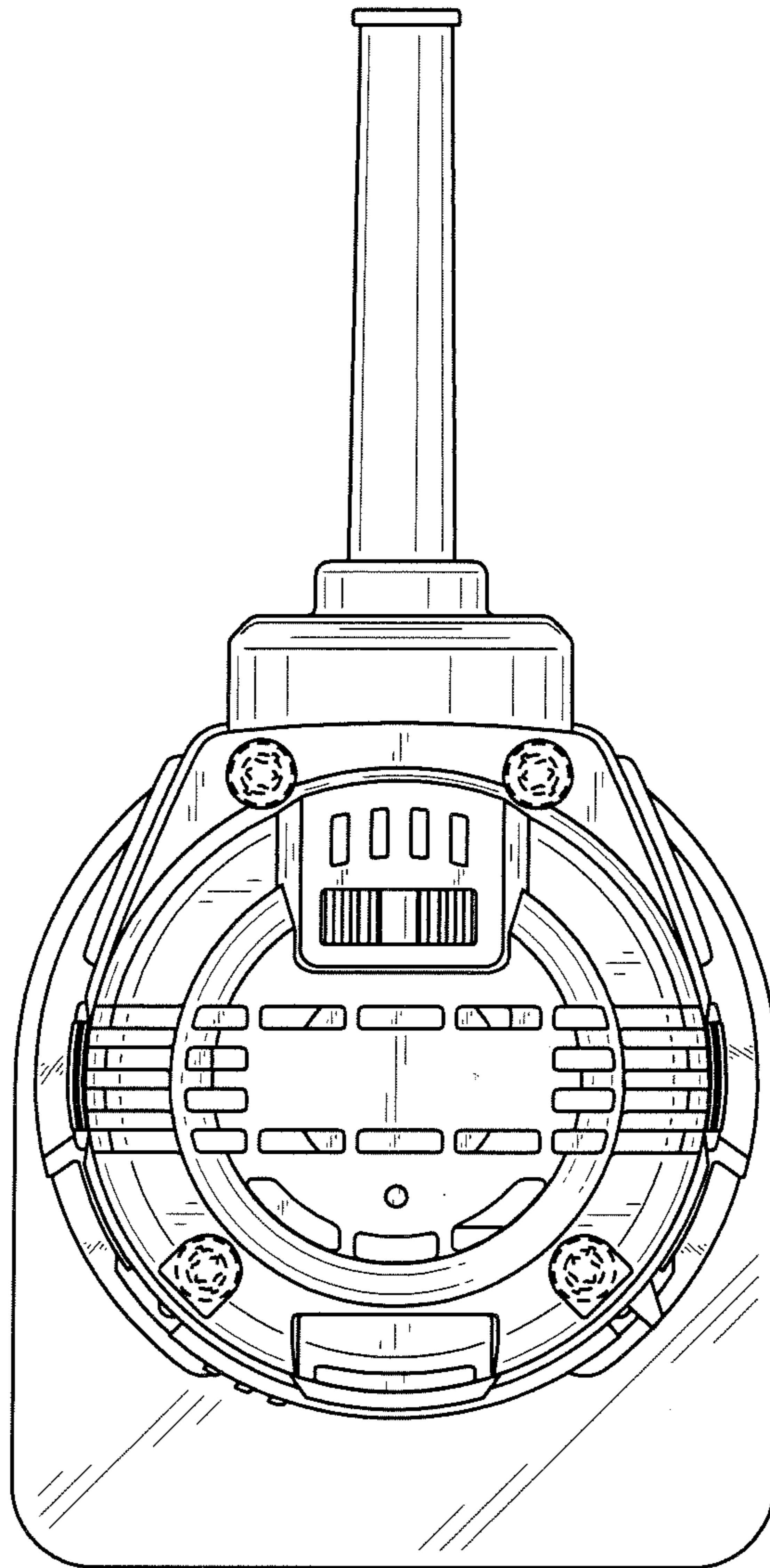


FIG. 6

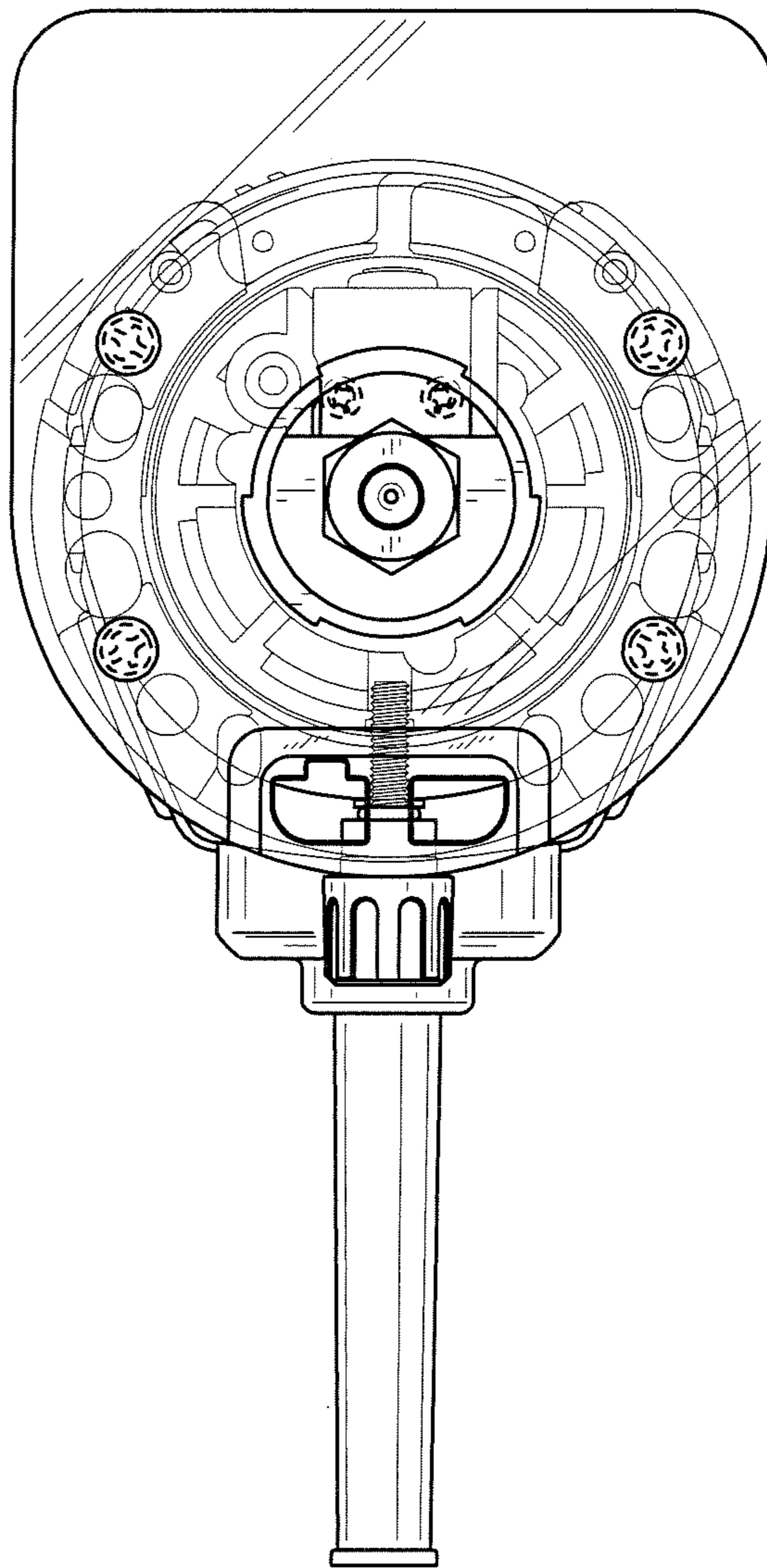


FIG. 7