



US00D741676S

(12) **United States Design Patent**
Li

(10) **Patent No.:** **US D741,676 S**

(45) **Date of Patent:** **** Oct. 27, 2015**

(54) **SNOWBALL CLAMP**

(56) **References Cited**

(71) Applicant: **Shantou Top Toys Co., Ltd**, Shantou,
Guangdong (CN)

(72) Inventor: **Fengchao Li**, Guangdong (CN)

(73) Assignee: **SHANTOU TOP TOYS CO., LTD**,
Shantou (CN)

(**) Term: **14 Years**

(21) Appl. No.: **29/476,857**

(22) Filed: **Dec. 18, 2013**

(51) **LOC (10) Cl.** **08-05**

(52) **U.S. Cl.**
USPC **D8/52**; D8/53; D21/468

(58) **Field of Classification Search**
USPC D8/14, 51, 52-54; D21/484, 468, 472,
D21/532, 722, 789, 793, 794; D7/669, 670,
D7/672, 674, 675, 681, 684-687, 691,
D7/901; D15/90
CPC A63B 45/00; A63B 45/02; A63B 65/12;
A63B 65/122; B41F 17/30; Y10S 101/40;
Y10S 425/057; B29C 33/26; B29C 33/42;
B29C 33/424; B29C 33/426; A47J 43/20;
A47J 43/282; F25C 5/14; F25C 5/16; A22C
7/0015; A63H 33/00; A63H 33/001; A63H
33/18; A63H 33/32; F41B 3/04

See application file for complete search history.

U.S. PATENT DOCUMENTS

1,684,038	A *	9/1928	Long	101/41
3,836,308	A *	9/1974	Upright	425/318
4,859,167	A *	8/1989	Maerz et al.	425/276
D323,772	S *	2/1992	Sage	D8/51
D342,002	S *	12/1993	Sage	D8/52
7,128,556	B2 *	10/2006	Wessells et al.	425/276
D567,602	S *	4/2008	Choy et al.	D8/14
7,815,429	B1 *	10/2010	Clark, Jr.	425/276
7,862,757	B2 *	1/2011	Hu	264/248
8,283,603	B2 *	10/2012	Cheng	219/243
8,602,927	B2 *	12/2013	Marc	473/605
8,641,401	B2 *	2/2014	Leininger	425/187
8,900,077	B2 *	12/2014	Ou	473/604
D722,848	S *	2/2015	Li	D8/51
2009/0252822	A1 *	10/2009	Palmer	425/318
2012/0329587	A1 *	12/2012	Ou	473/605

* cited by examiner

Primary Examiner — Catherine Tuttle

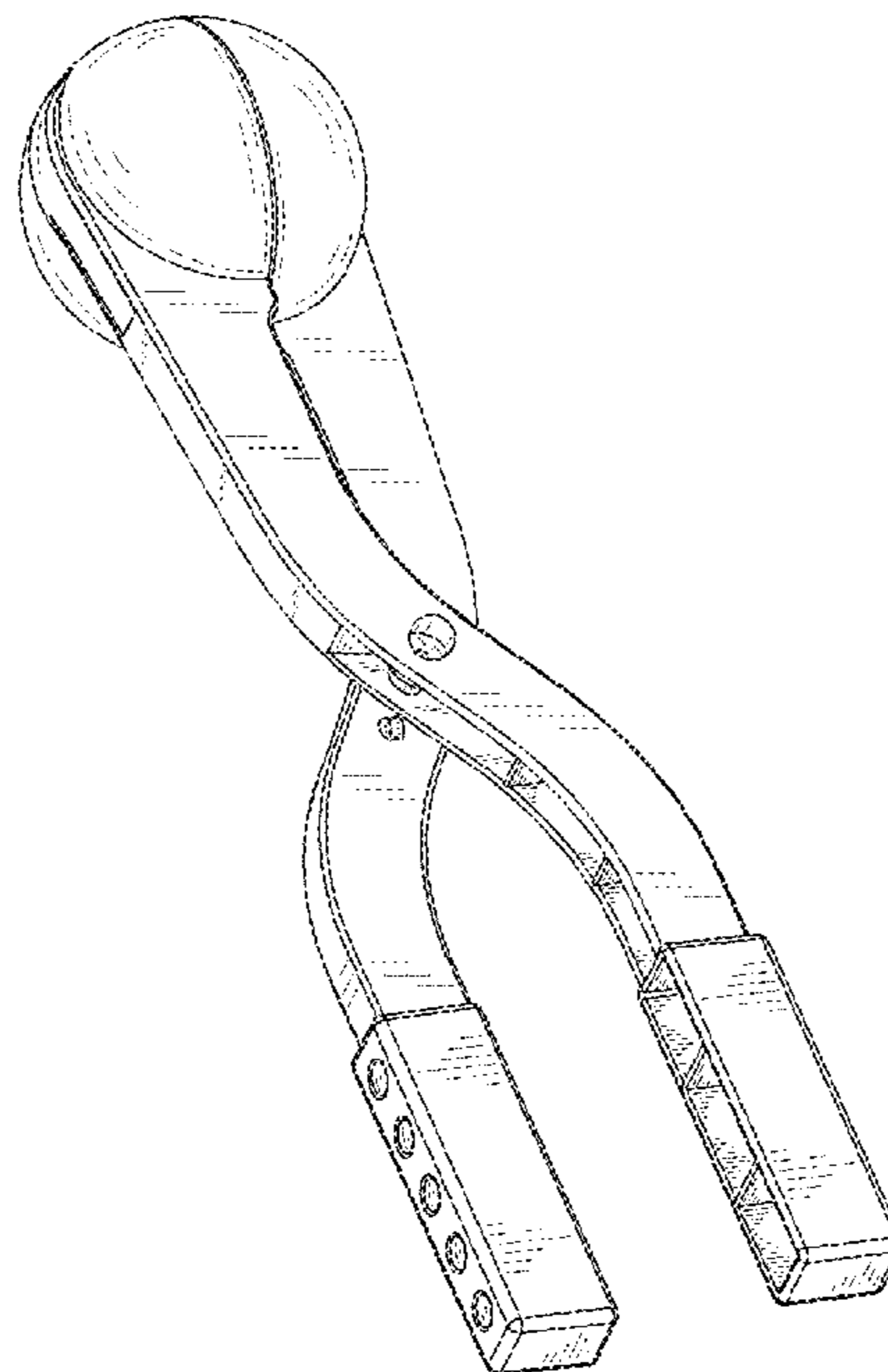
(57) **CLAIM**

The ornamental design for a snowball clamp, as shown and described.

DESCRIPTION

FIG. 1 is a perspective view of a snowball clamp showing my new design;
FIG. 2 is a perspective view of the snowball clamp shown in FIG. 1, with the snowball clamp being in an opened position;
FIG. 3 is a front elevation view of FIG. 2;
FIG. 4 is a rear elevation view of FIG. 2;
FIG. 5 is a left side view of FIG. 2;
FIG. 6 is a right side view of FIG. 2;
FIG. 7 is a top plan view of FIG. 2; and,
FIG. 8 is a bottom plan view of FIG. 2.

1 Claim, 7 Drawing Sheets



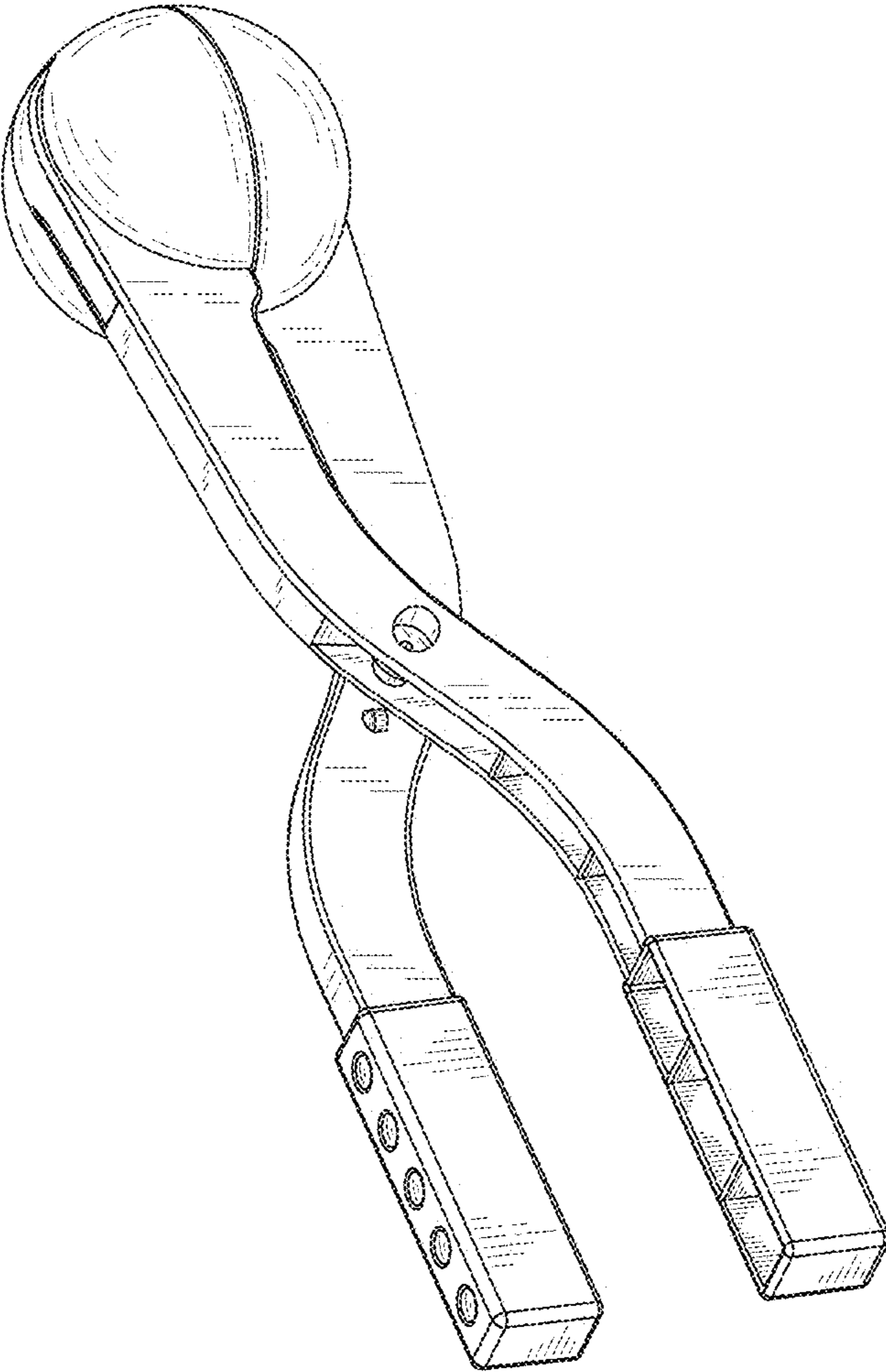


FIG.1

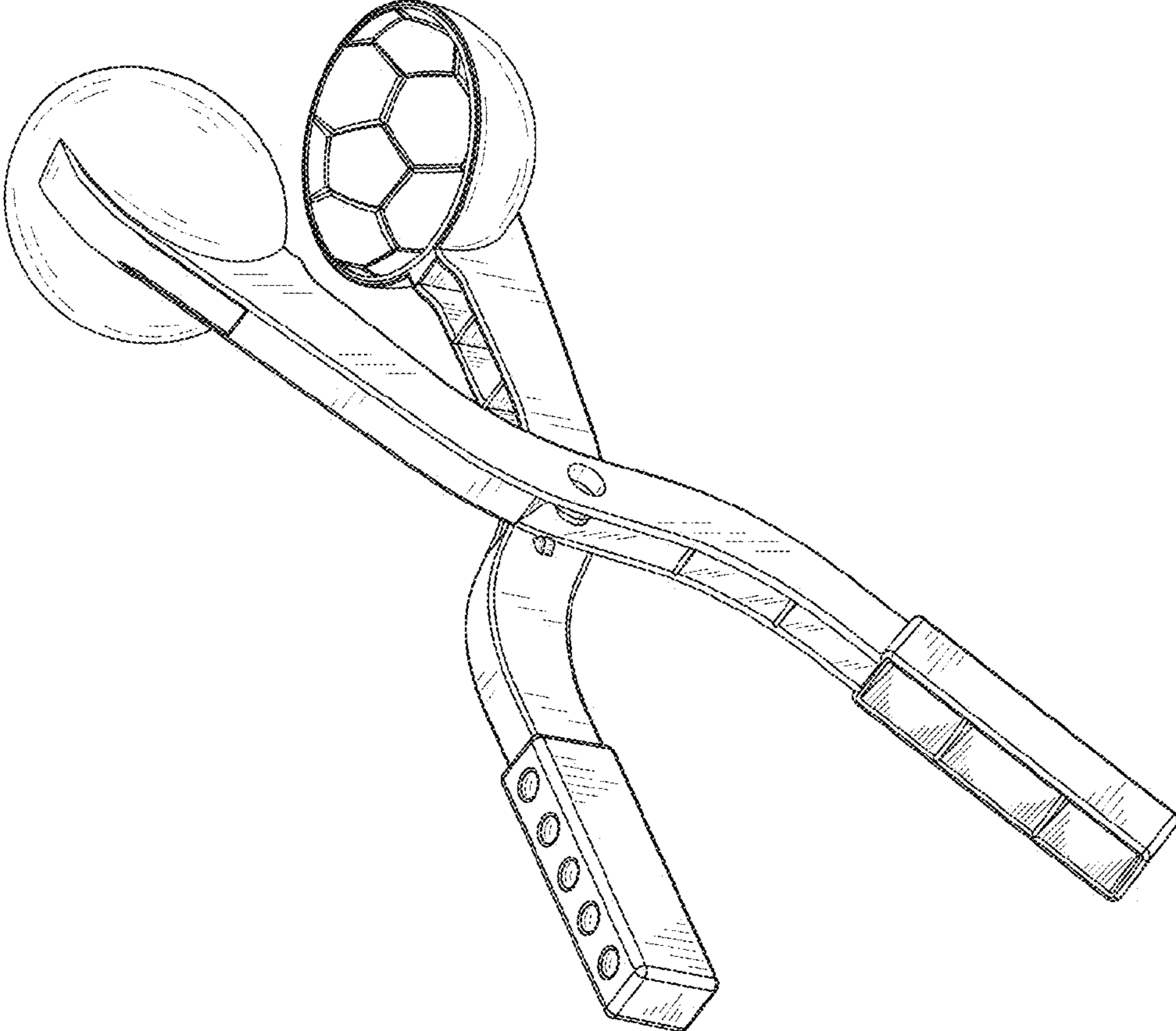


FIG.2

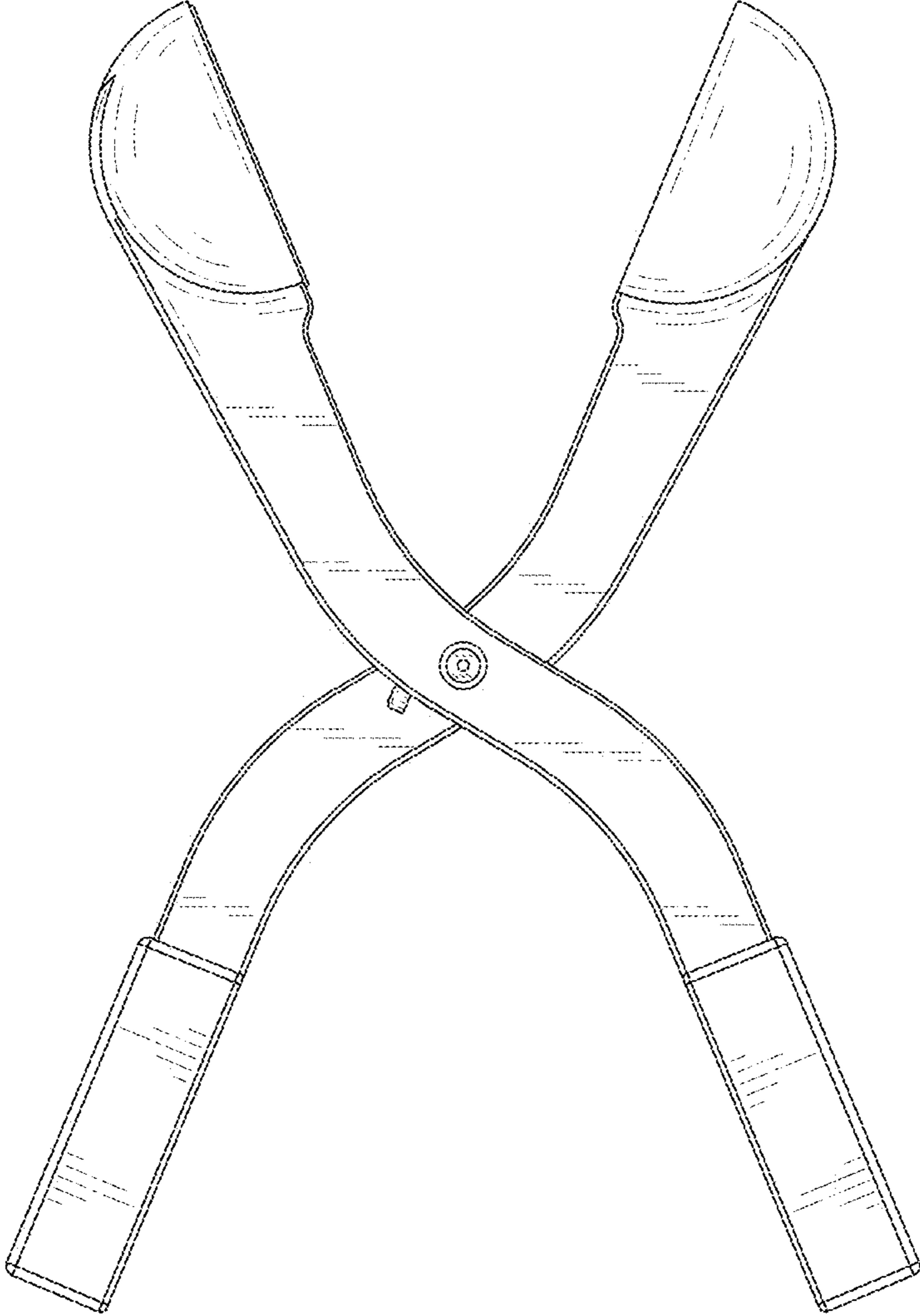


FIG.3

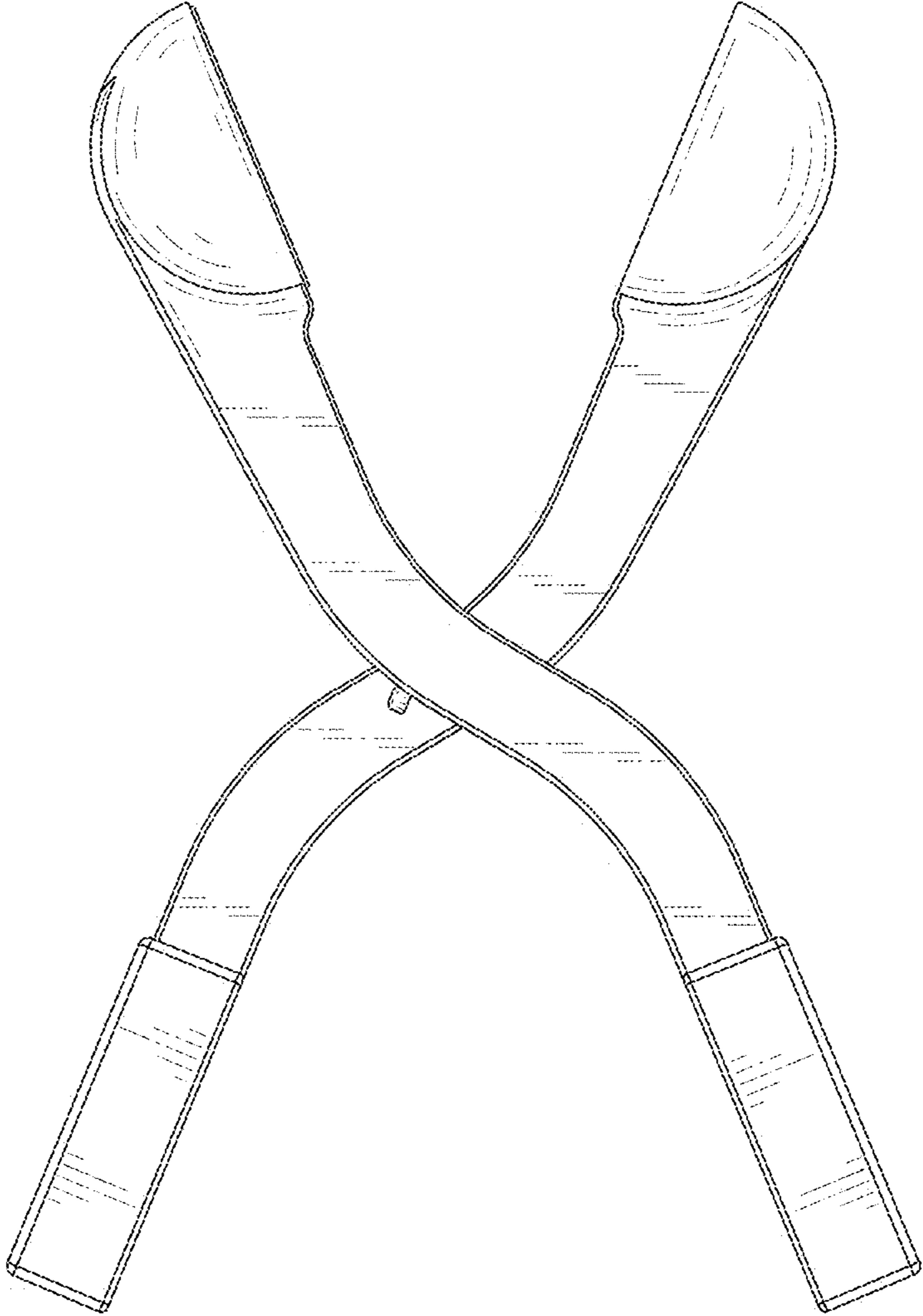


FIG.4

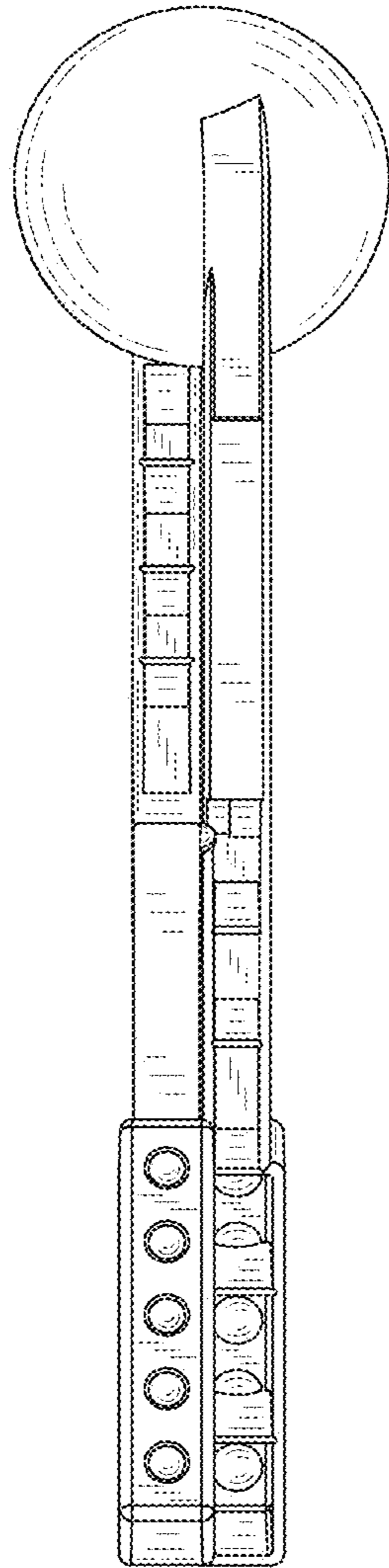


FIG.5

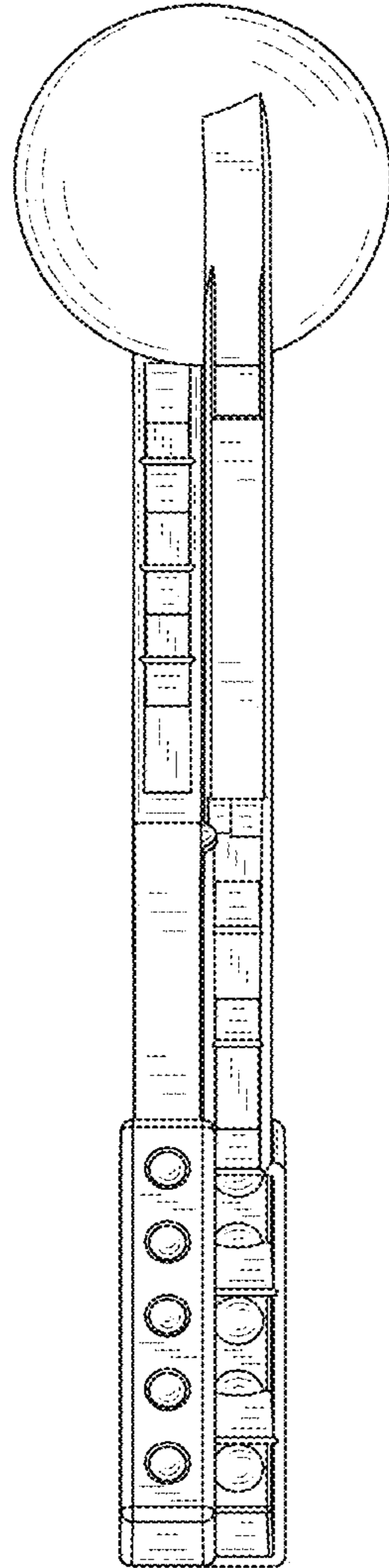


FIG.6

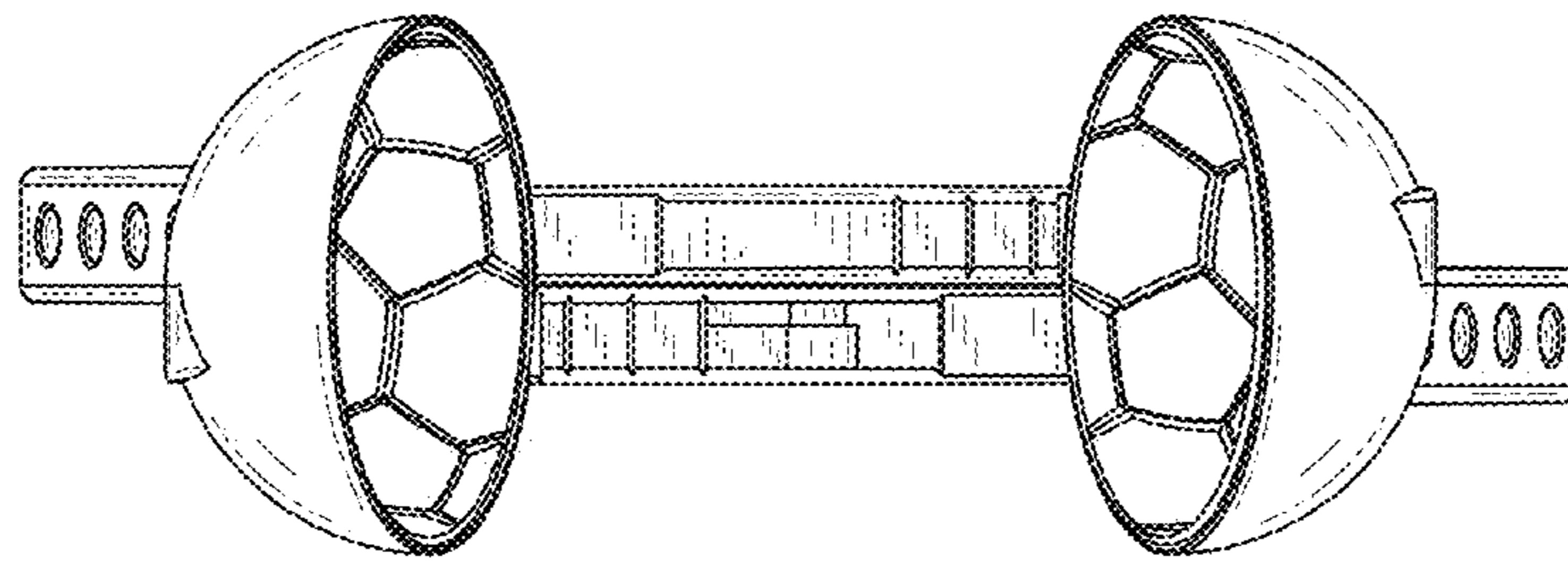


FIG. 7

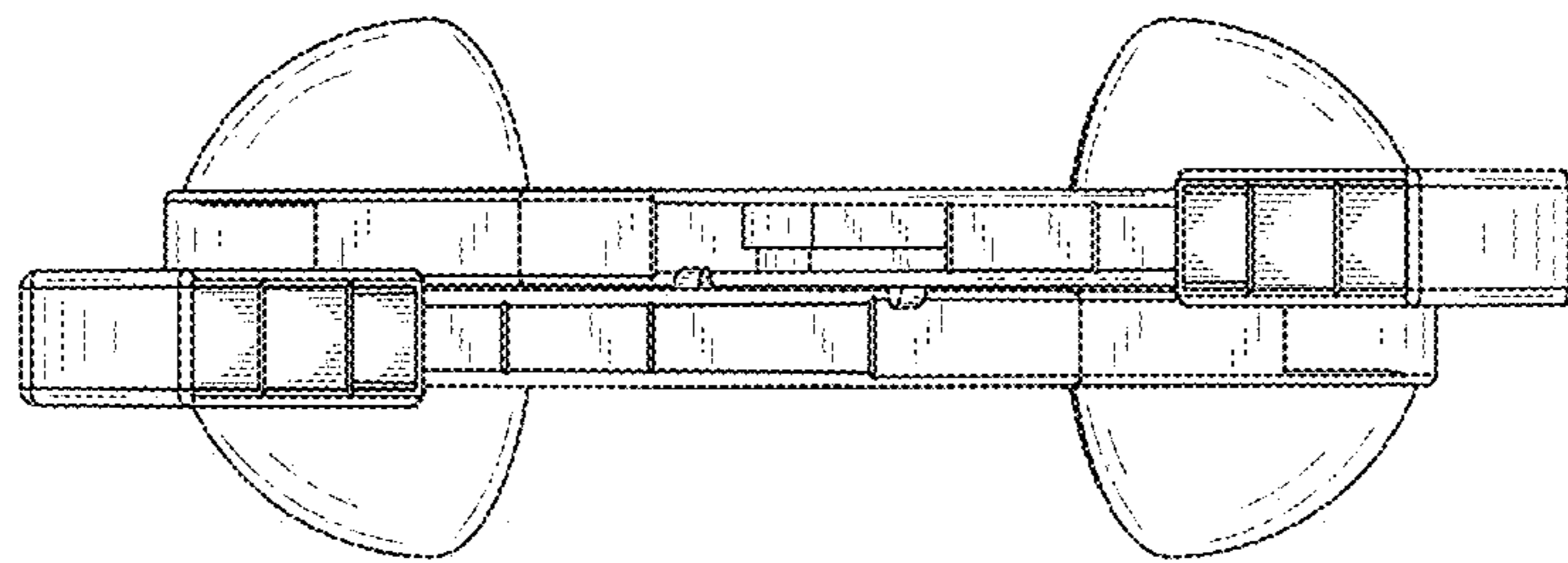


FIG. 8