



US00D741675S

(12) **United States Design Patent**  
**Gibson, Jr.**

(10) **Patent No.:** **US D741,675 S**  
(45) **Date of Patent:** **\*\* Oct. 27, 2015**

(54) **CRIMPING DEVICE FOR REPLACING AN  
AGLET AT THE END OF A SHOE LACE**

(71) Applicant: **Paul Gibson, Jr.**, College Park, GA (US)

(72) Inventor: **Paul Gibson, Jr.**, College Park, GA (US)

(\*\*) Term: **14 Years**

(21) Appl. No.: **29/474,005**

(22) Filed: **Apr. 29, 2014**

(51) **LOC (10) Cl.** ..... **08-05**

(52) **U.S. Cl.**  
USPC ..... **D8/52**

(58) **Field of Classification Search**  
USPC ..... D8/4, 5, 51-58, 71, 72, 105-107  
CPC ..... B25B 7/00; B25B 7/02; A43C 9/04  
See application file for complete search history.

(56) **References Cited**

**U.S. PATENT DOCUMENTS**

292,643	A *	1/1884	Friend	81/424.5
321,133	A *	6/1885	Osborne	81/424.5
1,264,304	A *	4/1918	Keech	29/223
1,399,915	A	12/1921	Anderson	
2,814,963	A *	12/1957	Harrington	294/118
D192,333	S	3/1962	Buechler et al.	
3,263,331	A *	8/1966	Davis	433/1
3,330,011	A	7/1967	Michael, Jr.	
D305,292	S *	1/1990	Kawasaki	D8/5
5,316,512	A *	5/1994	Ell	445/61
5,793,018	A *	8/1998	Jett	219/225
D492,555	S	7/2004	Tatom	
6,918,490	B1	7/2005	Napolitano	

6,923,097	B2 *	8/2005	Takasaki	81/418
D520,828	S	5/2006	Steiner	
D557,579	S	12/2007	Steiner	
D563,745	S *	3/2008	DeVries et al.	D8/52
D572,552	S	7/2008	Feliciano	
7,481,019	B2 *	1/2009	Rosenberg	43/44.8
D634,598	S	3/2011	Powley	
D652,882	S	1/2012	Blockburger	
D695,085	S	12/2013	Paniagua	
8,915,173	B2 *	12/2014	Clinton	86/44
2004/0148801	A1	8/2004	Curent et al.	
2008/0110303	A1 *	5/2008	McCabe	81/186
2008/0295305	A1 *	12/2008	Hsu	24/715.6

\* cited by examiner

*Primary Examiner* — Deanna L Pratt

(74) *Attorney, Agent, or Firm* — Suzanne Kikel, Patent Agent

(57) **CLAIM**

The ornamental design for a crimping device for replacing an aglet at the end of a shoe lace, as shown and described.

**DESCRIPTION**

FIG. 1 is a perspective view of a crimping device for replacing an aglet at the end of a shoe lace of my new design, in open configuration.

FIG. 2 is a front elevational view thereof.

FIG. 3 is a rear elevational view thereof.

FIG. 4 is a bottom plan view of FIG. 2.

FIG. 5 is a top plan view thereof of FIG. 3.

FIG. 6 is a right side elevational view of FIG. 2; and,

FIG. 7 is a left side elevational view of FIG. 2.

**1 Claim, 4 Drawing Sheets**

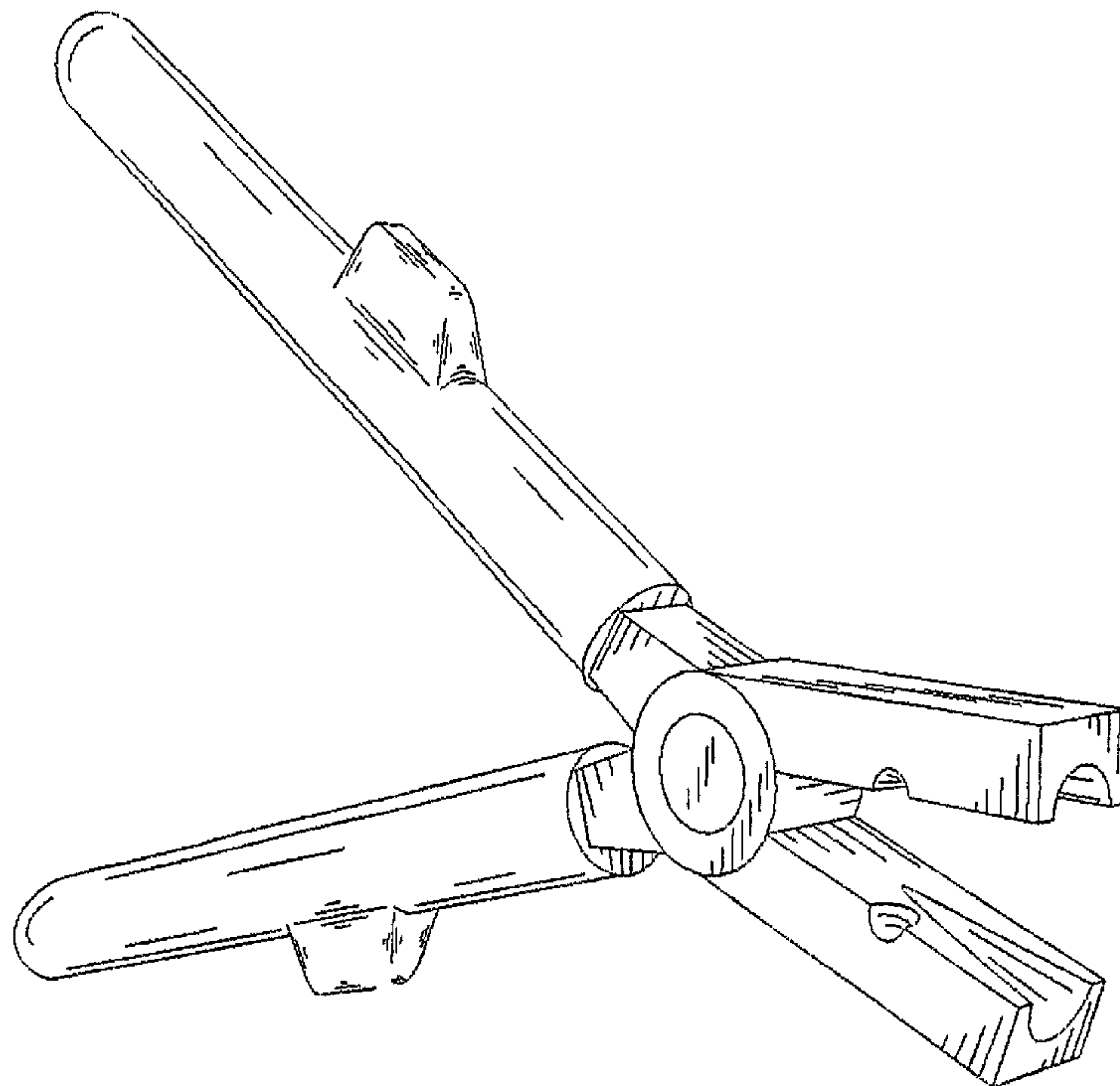
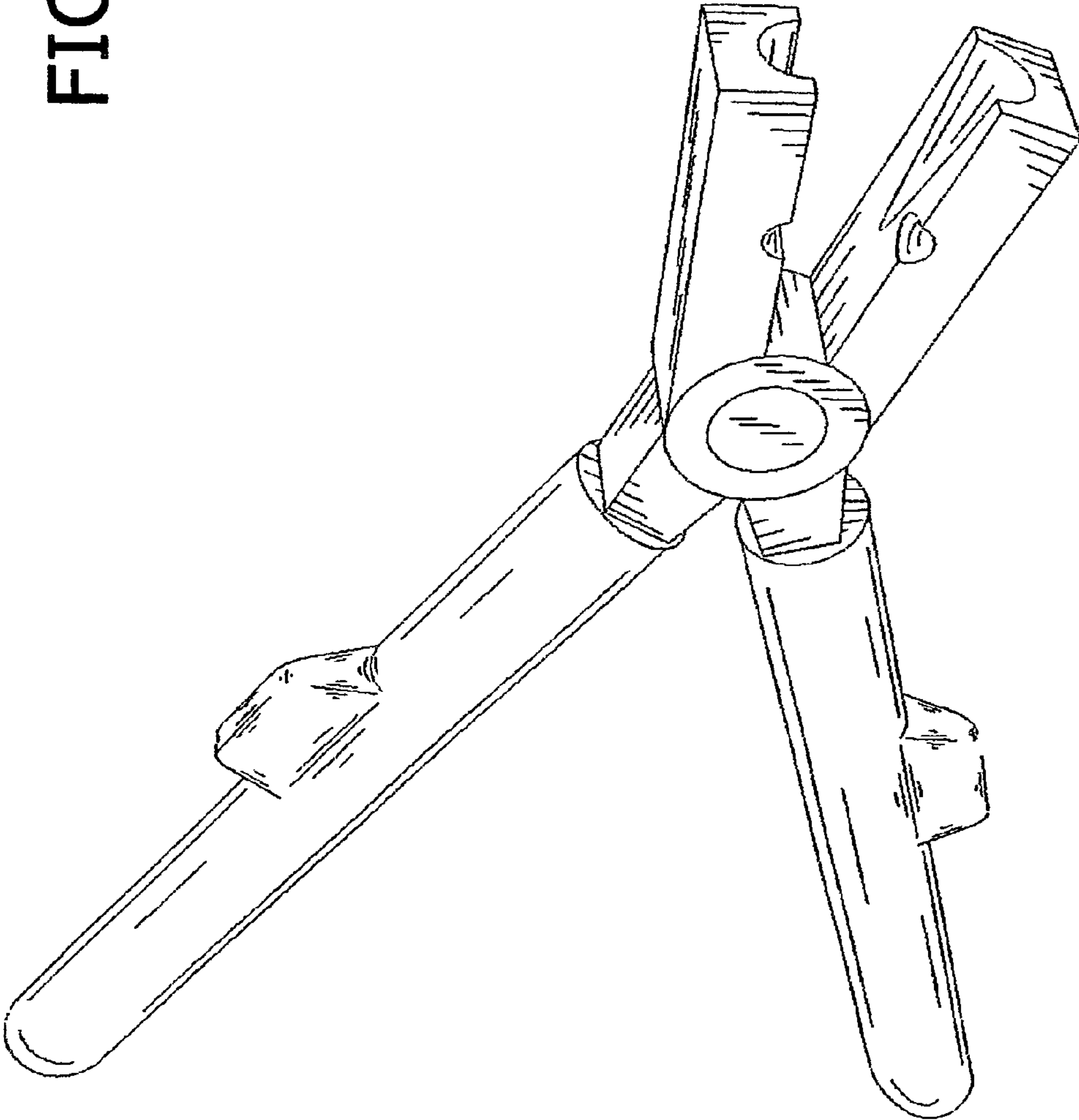


FIG. 1



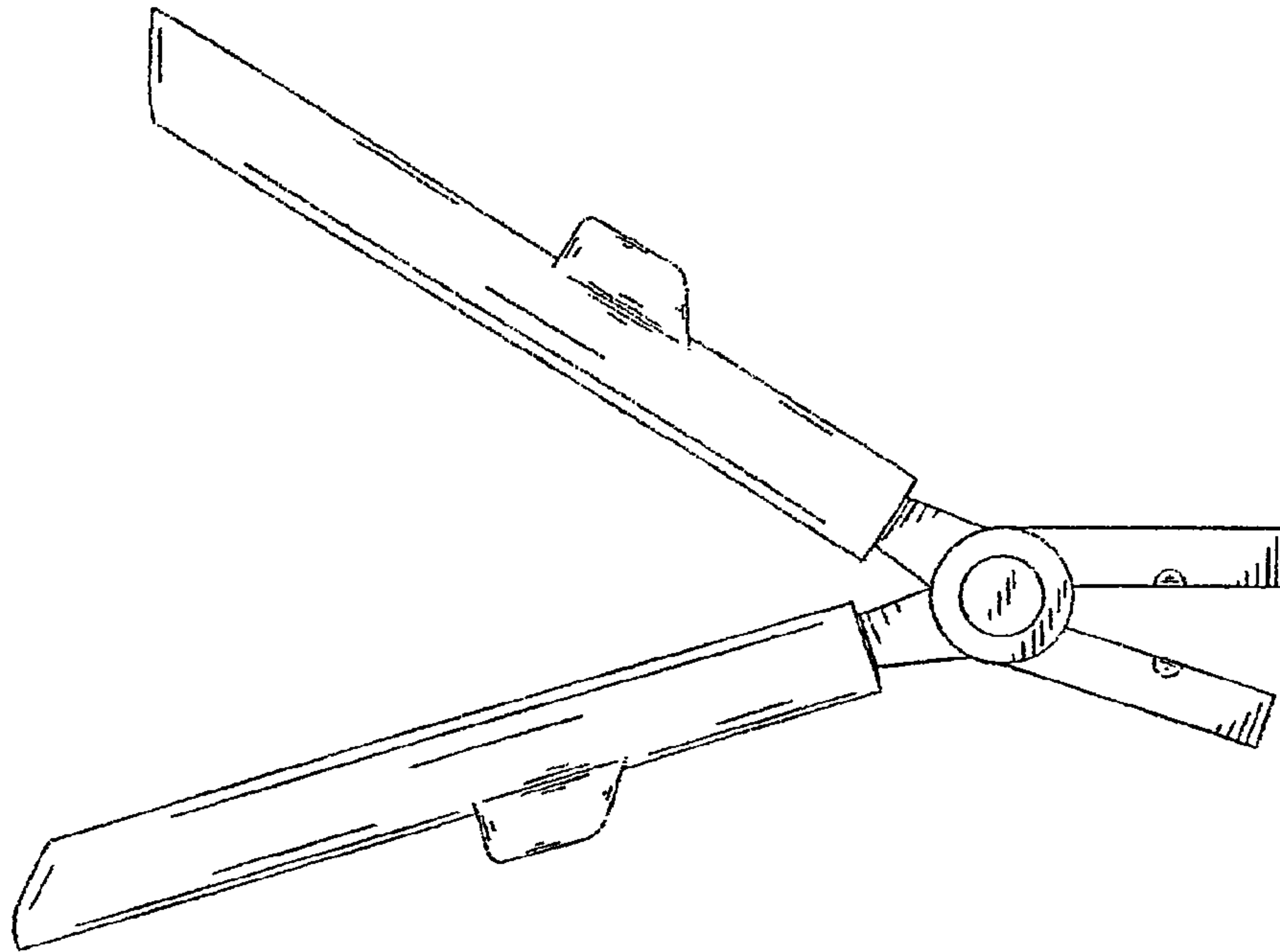


FIG. 2

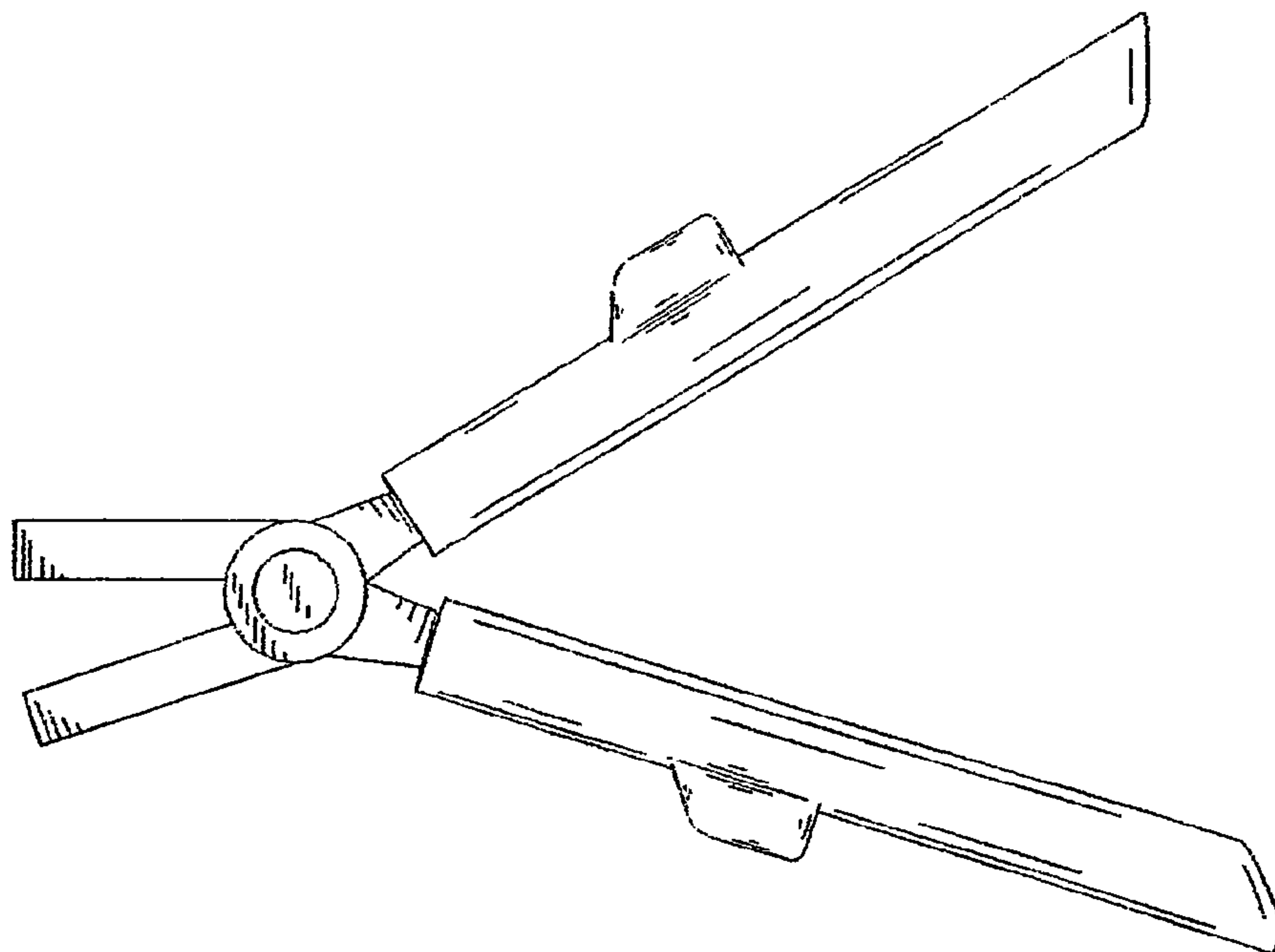


FIG. 3

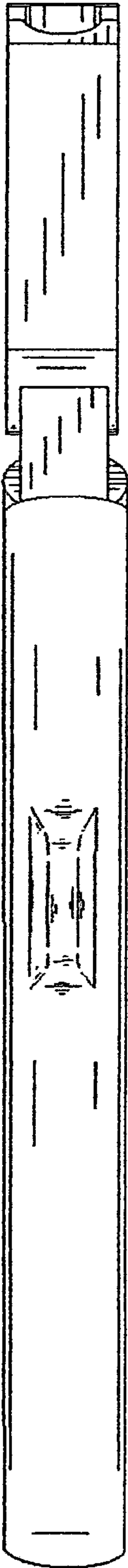


FIG. 4



FIG. 5

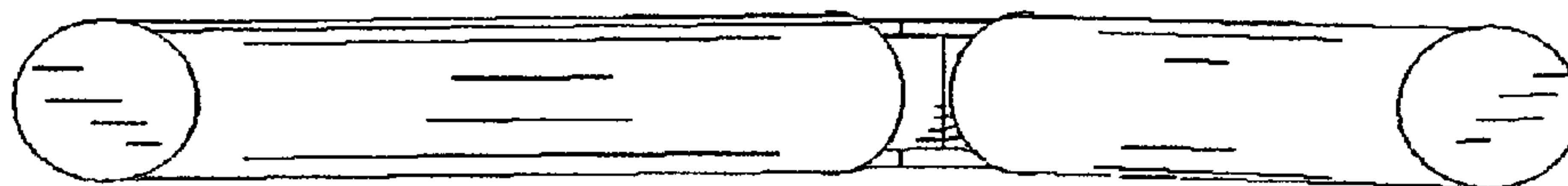


FIG. 7

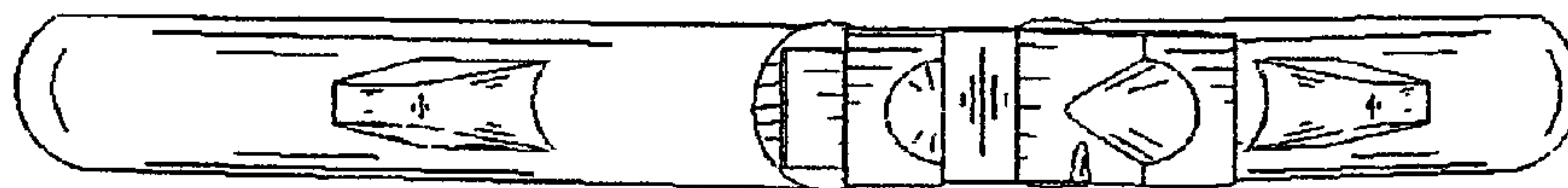


FIG. 6