



US00D741674S

(12) **United States Design Patent**
Seiders et al.

(10) **Patent No.:** **US D741,674 S**

(45) **Date of Patent:** **** Oct. 27, 2015**

(54) **BOTTLE OPENER**

(71) Applicant: **YETI Coolers, LLC**, Austin, TX (US)

(72) Inventors: **Roy Joseph Seiders**, Austin, TX (US);
Erik Steven Larson, Austin, TX (US)

(73) Assignee: **YETI Coolers, LLC**, Austin, TX (US)

(**) Term: **14 Years**

(21) Appl. No.: **29/513,200**

(22) Filed: **Dec. 29, 2014**

(51) **LOC (10) Cl.** **07-99**

(52) **U.S. Cl.**
USPC **D8/34**

(58) **Field of Classification Search**

USPC D8/16, 18, 19, 33-43, 89, 98-104, 396,
D8/105; D7/649, 650; 30/294
CPC B67B 7/00; B67B 7/14; B67B 7/16;
B67B 7/24; B67B 7/30; B67B 7/32; B67B
7/34; B67B 7/36; B67B 7/38; B67B 7/44
See application file for complete search history.

(56) **References Cited**

U.S. PATENT DOCUMENTS

D25,563 S * 6/1896 Mueller D8/383
1,920,520 A * 8/1933 Nord 248/48.2
2,616,099 A * 11/1952 Silvio 5/207
4,025,019 A * 5/1977 Jacobsen et al. 248/317
4,062,117 A * 12/1977 Coleman 30/317

D300,549 S * 4/1989 Crow D22/108
D306,394 S * 3/1990 Koenig D8/102
5,127,162 A * 7/1992 Mansfield 30/294
D329,584 S * 9/1992 Shevin et al. D8/102
5,524,348 A * 6/1996 Tipp 30/294
D380,365 S * 7/1997 Schmidt D8/102
5,815,930 A * 10/1998 Kojima 30/294
7,527,235 B2 * 5/2009 Hummel 248/459

* cited by examiner

Primary Examiner — Elizabeth Albert

(74) *Attorney, Agent, or Firm* — Banner & Witcoff, Ltd.

(57) **CLAIM**

The ornamental design for a bottle opener, as shown and described.

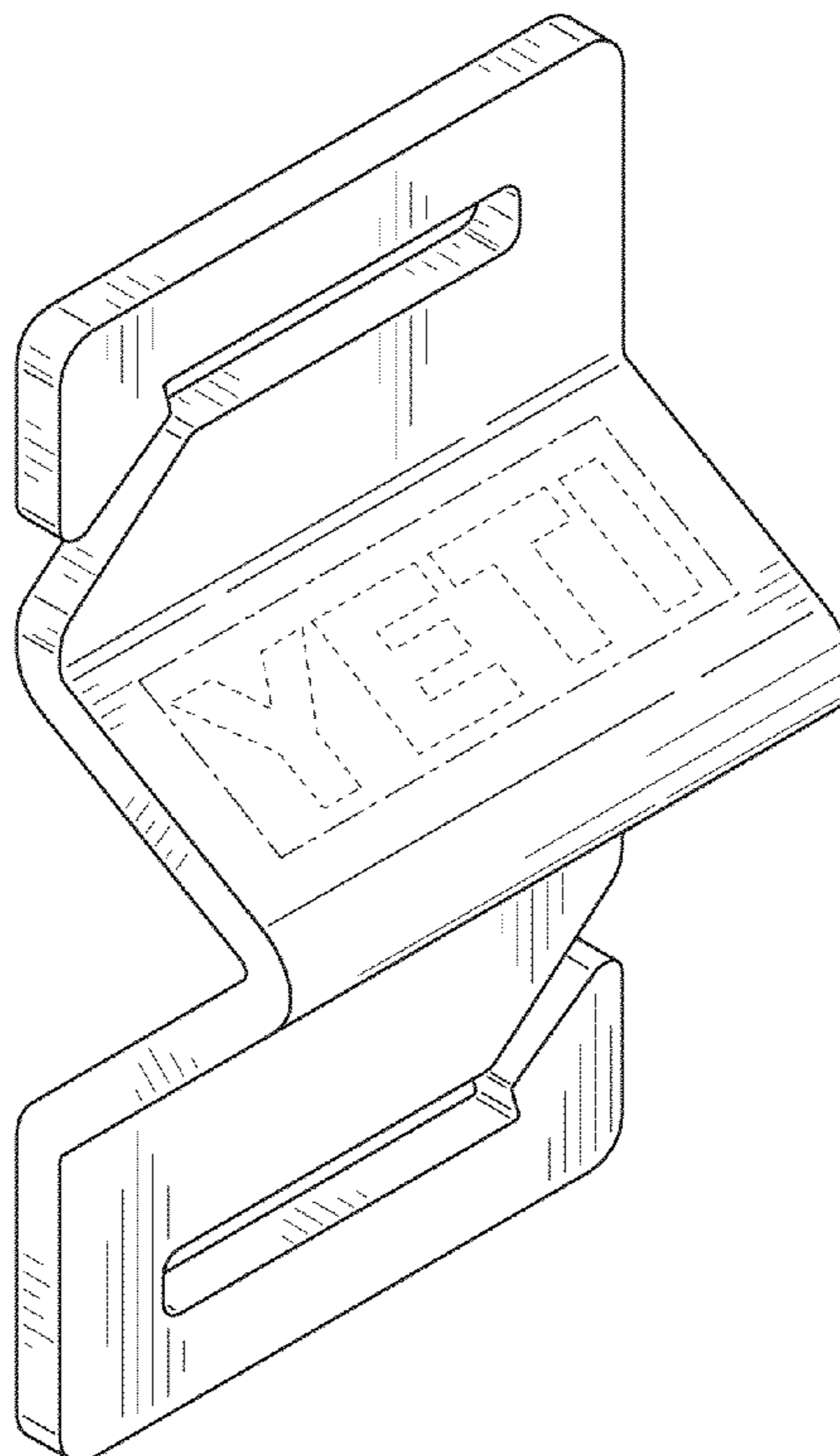
DESCRIPTION

FIG. 1 is a top, front, left perspective view of a bottle opener showing our new design;
FIG. 2 is a front view thereof;
FIG. 3 is a rear view thereof;
FIG. 4 is a right side view thereof;
FIG. 5 is a left side view thereof;
FIG. 6 is a top view thereof; and,
FIG. 7 is a bottom view thereof.

The long and short broken lines in FIGS. 1, 2 and 6 that define the bounds of the claimed design form no part thereof.

The indicia in evenly spaced broken lines in the drawings in FIGS. 1, 2, and 6 is shown for environmental purposes only and forms no part of the claimed design.

1 Claim, 3 Drawing Sheets



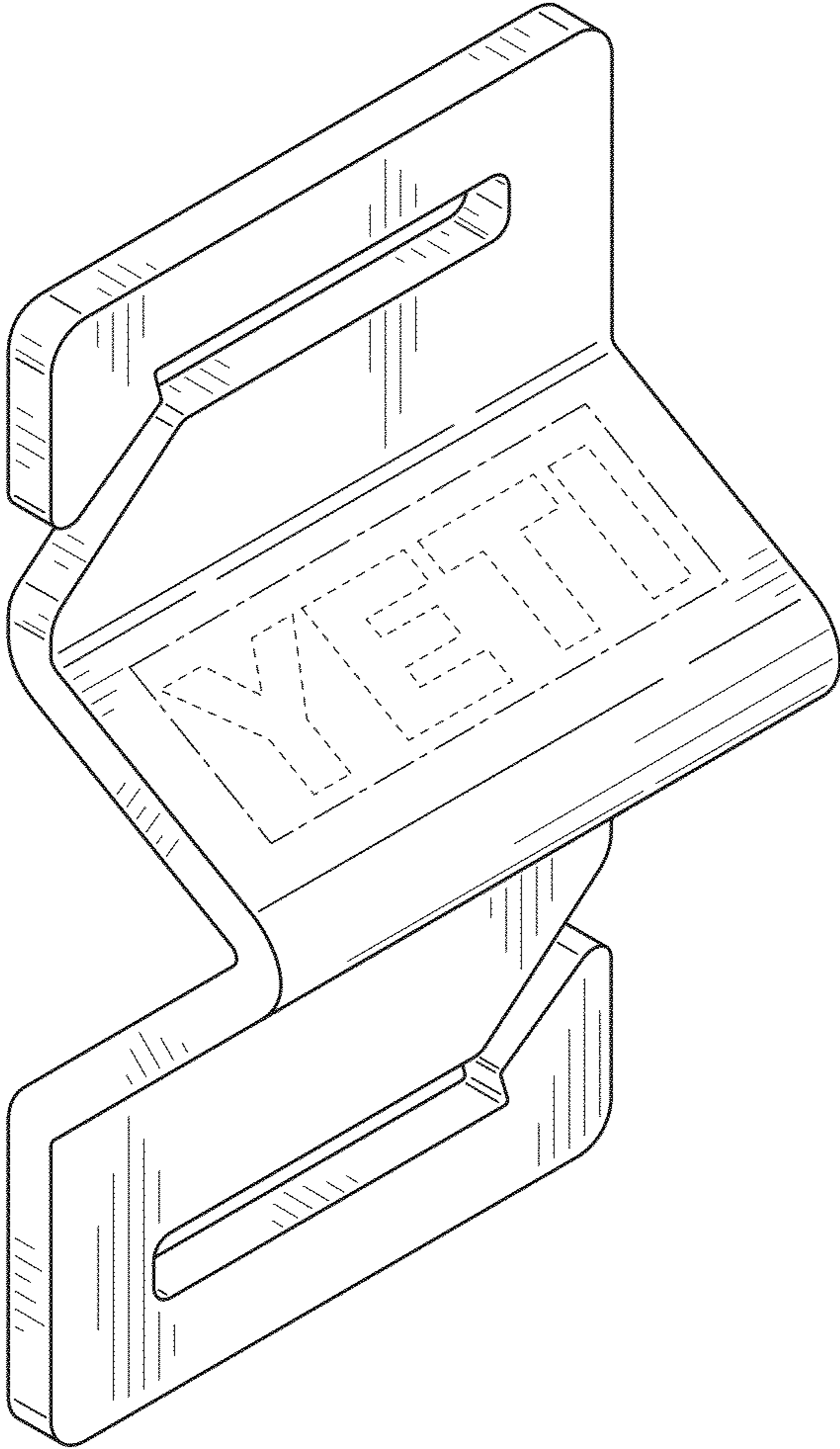


FIG. 1

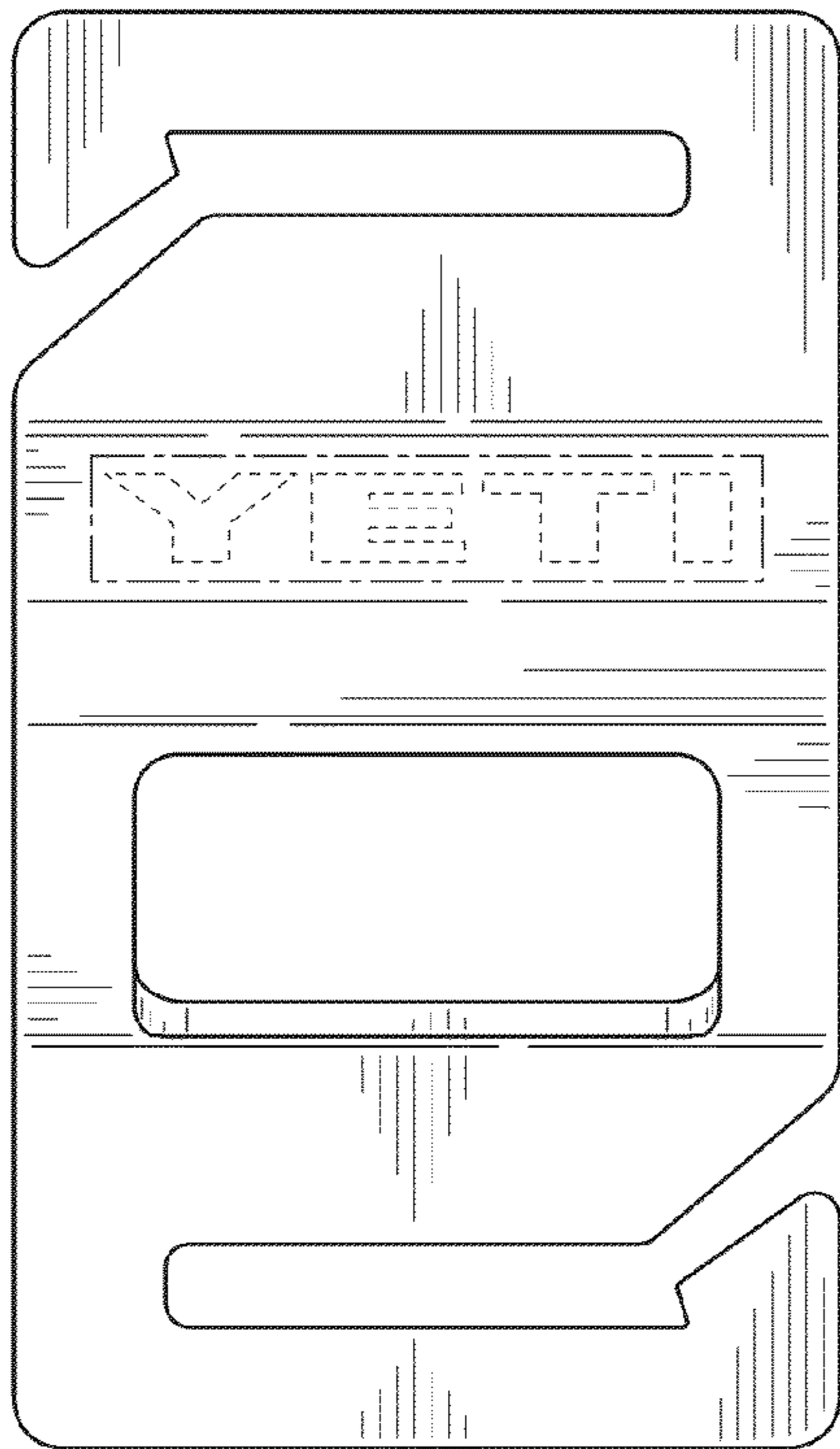


FIG. 2

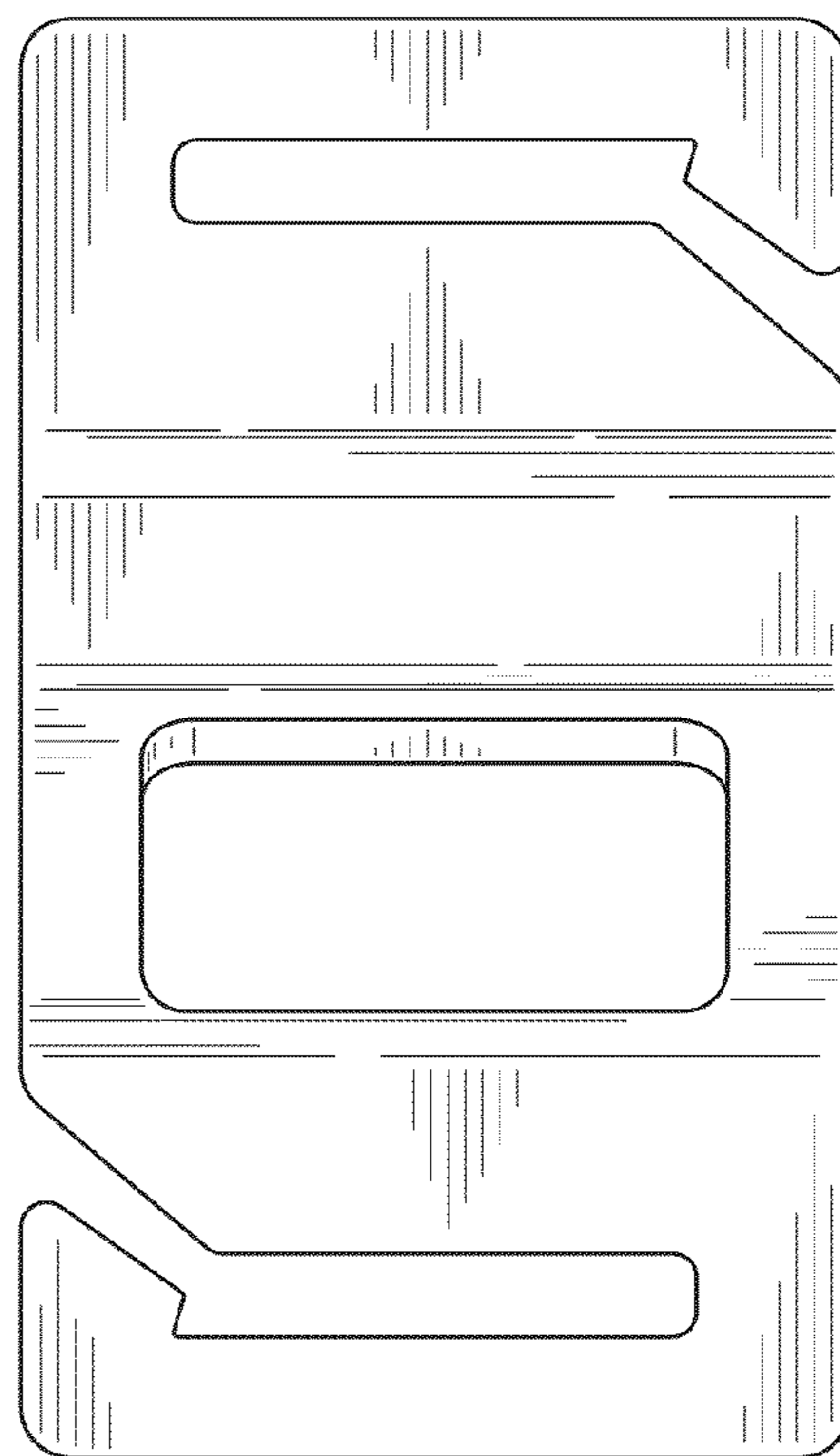


FIG. 3

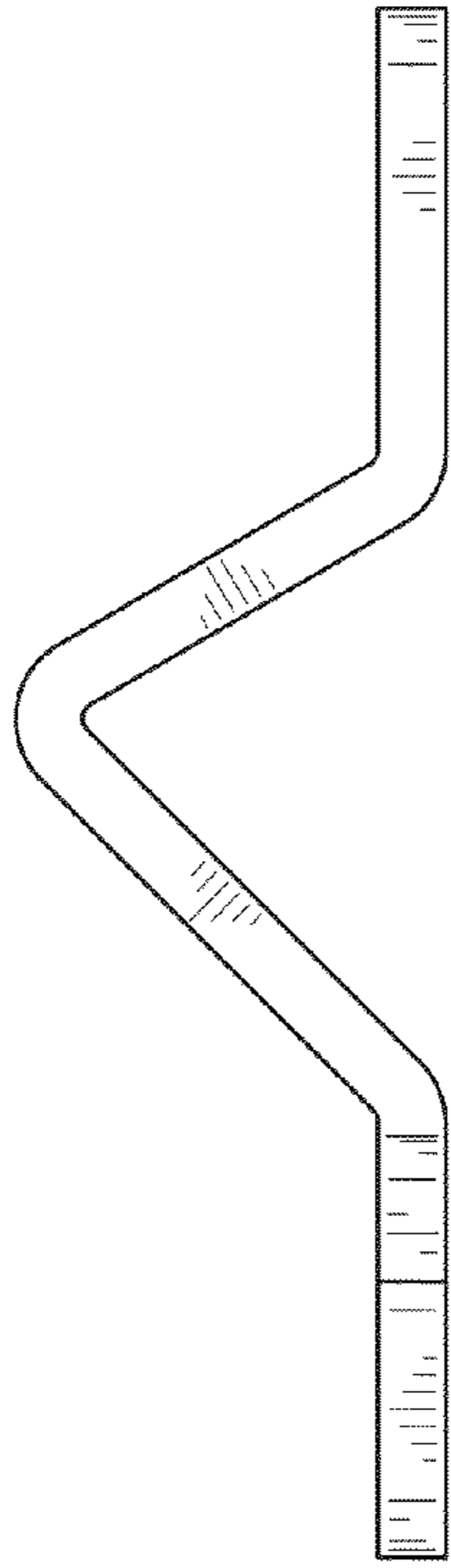


FIG. 4

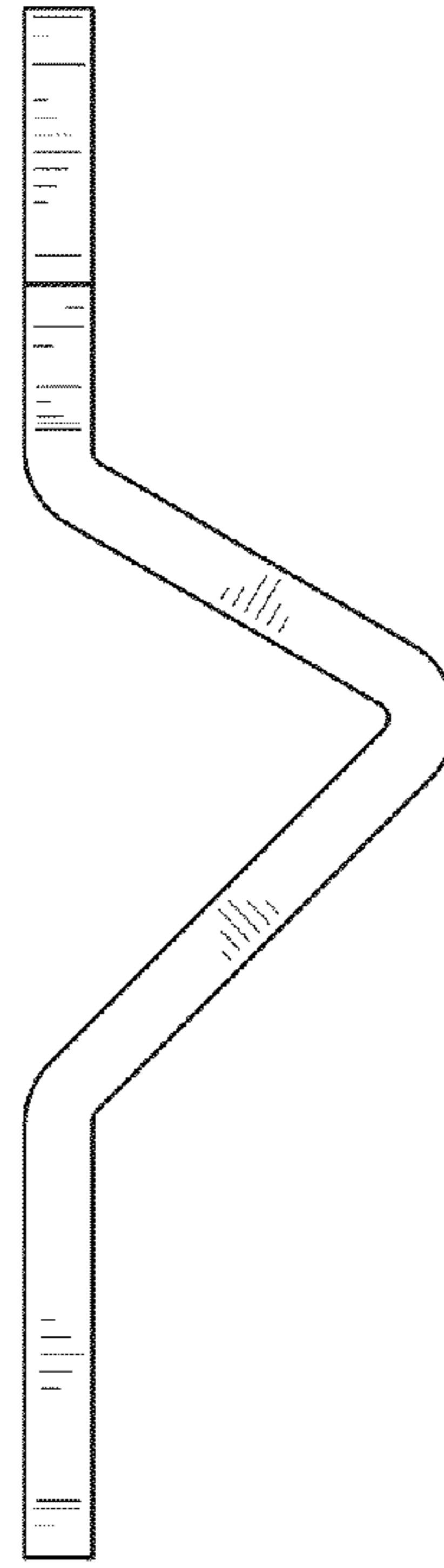


FIG. 5

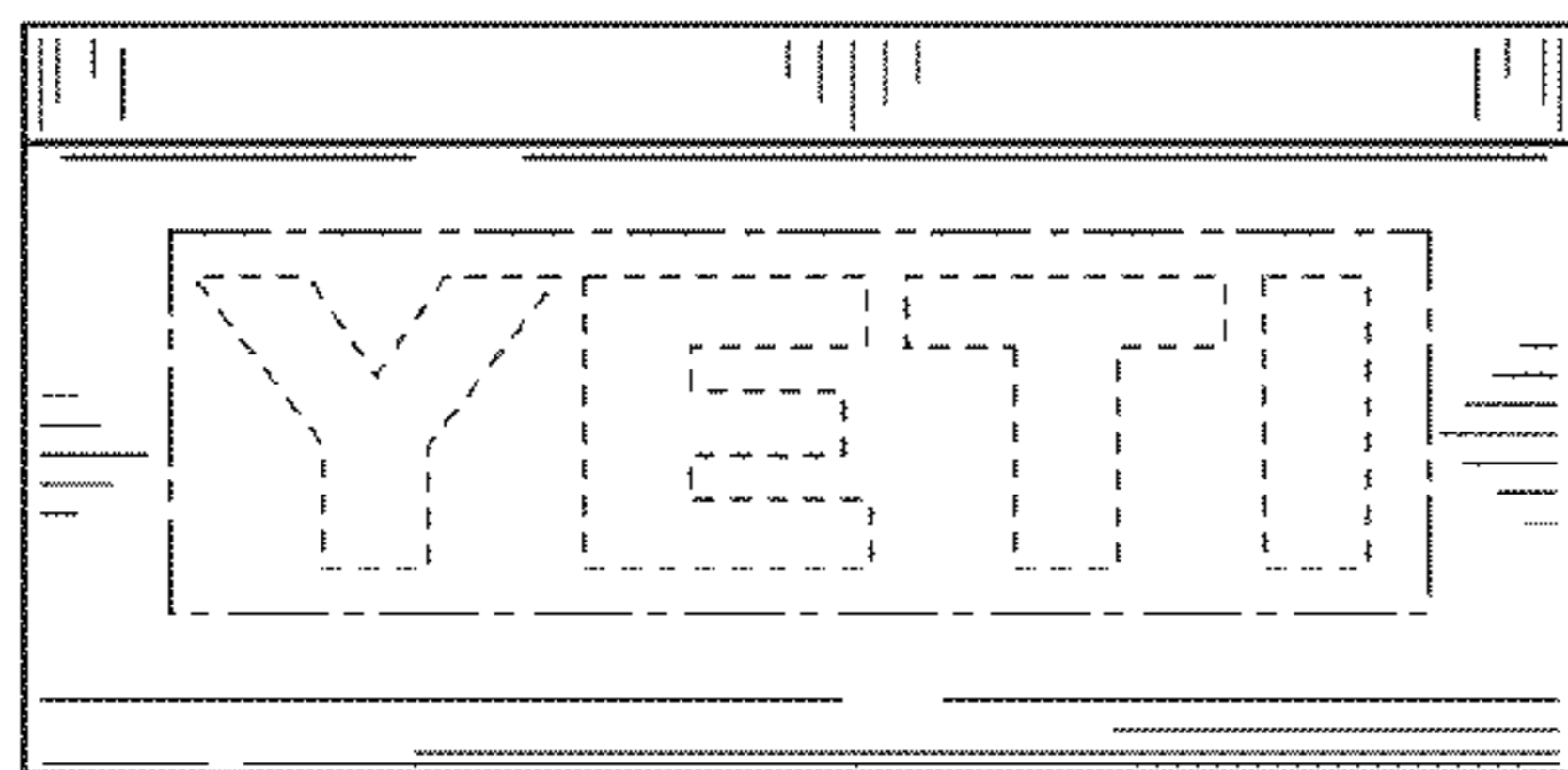


FIG. 6

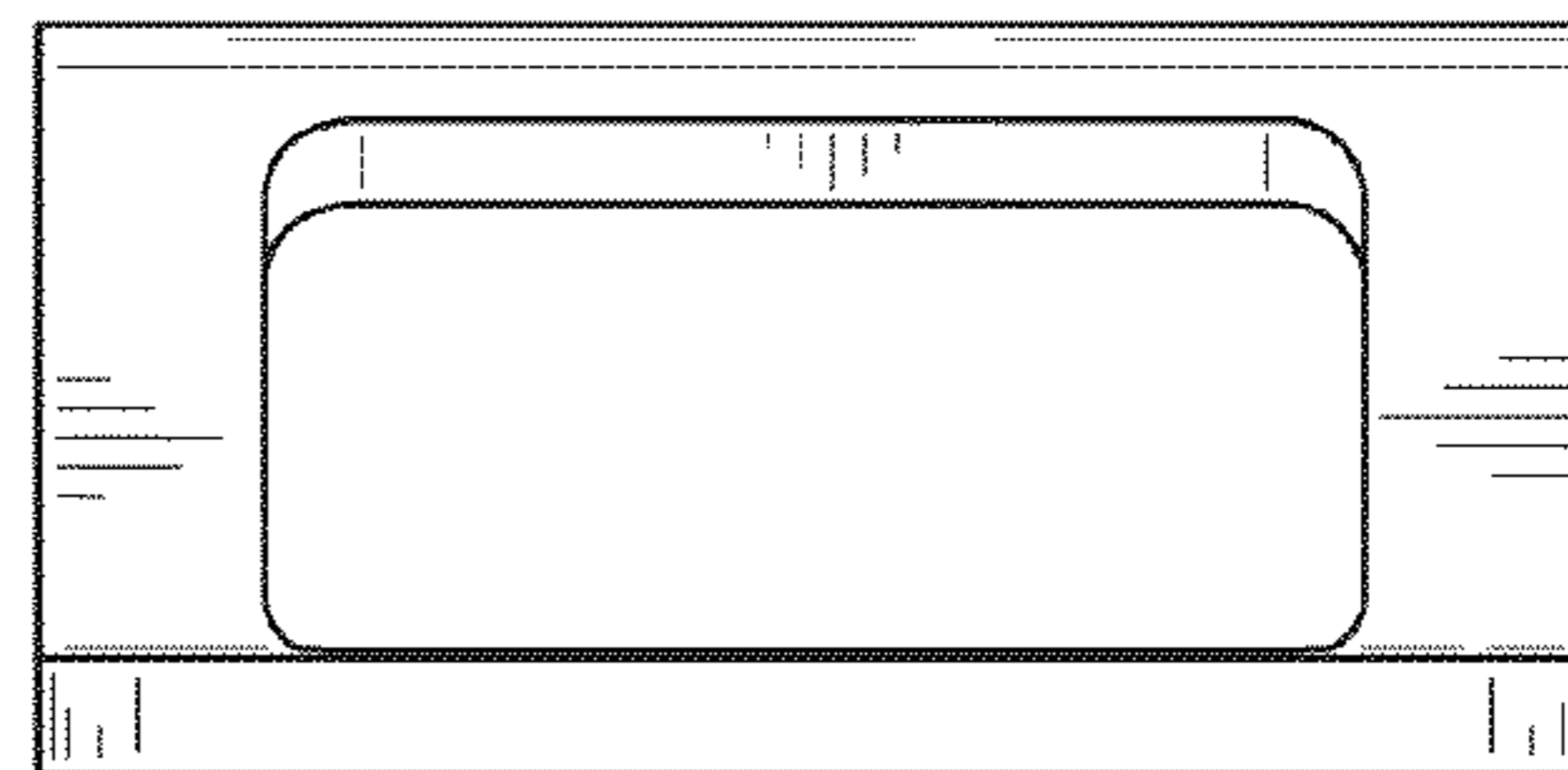


FIG. 7