



US00D741670S

(12) **United States Design Patent**
Carl et al.

(10) **Patent No.:** **US D741,670 S**
(45) **Date of Patent:** **** Oct. 27, 2015**

- (54) **HEDGER**
- (71) Applicant: **Sears Brands, L.L.C.**, Hoffman Estates, IL (US)
- (72) Inventors: **Ross Carl**, River Forest, IL (US);
Nicholas Dane Suchoza, Huntersville, NC (US)
- (73) Assignee: **SEARS BRANDS, L.L.C.**, Hoffman Estates, IL (US)
- (**) Term: **14 Years**
- (21) Appl. No.: **29/515,828**
- (22) Filed: **Jan. 27, 2015**

D543,805 S *	6/2007	Houghton	D8/8
D580,238 S *	11/2008	Murray	D8/8
D580,239 S *	11/2008	Murray	D8/8
D582,225 S *	12/2008	Bochmann et al.	D8/8
D623,487 S *	9/2010	Tinius	D8/8
D624,371 S *	9/2010	Tinius	D8/8
D649,845 S *	12/2011	Yamamoto et al.	D8/9
D650,643 S *	12/2011	Aoki et al.	D8/8
D668,513 S *	10/2012	Okuda et al.	D8/8
D675,072 S *	1/2013	Stratford	D8/8
D709,742 S *	7/2014	Luedtke	D8/8
2013/0097876 A1 *	4/2013	Fong et al.	30/277.4
2013/0098647 A1 *	4/2013	Martinsson et al.	173/20

* cited by examiner

Primary Examiner — Sheryl Lane

(74) *Attorney, Agent, or Firm* — McAndrews Held & Malloy, Ltd.

Related U.S. Application Data

(63) Continuation of application No. 29/467,408, filed on Sep. 18, 2013, now Pat. No. Des. 721,551.

(51) **LOC (10) Cl.** **08-08**

(52) **U.S. Cl.**
USPC **D8/8**

(58) **Field of Classification Search**
USPC D8/7-9; D15/1, 17
CPC A01G 3/053; A01G 3/04; A01G 3/0435;
B27B 17/00; B25F 5/02
See application file for complete search history.

(56) **References Cited**

U.S. PATENT DOCUMENTS

5,150,523 A *	9/1992	McCurry	30/228
D505,602 S *	5/2005	Houghton	D8/8

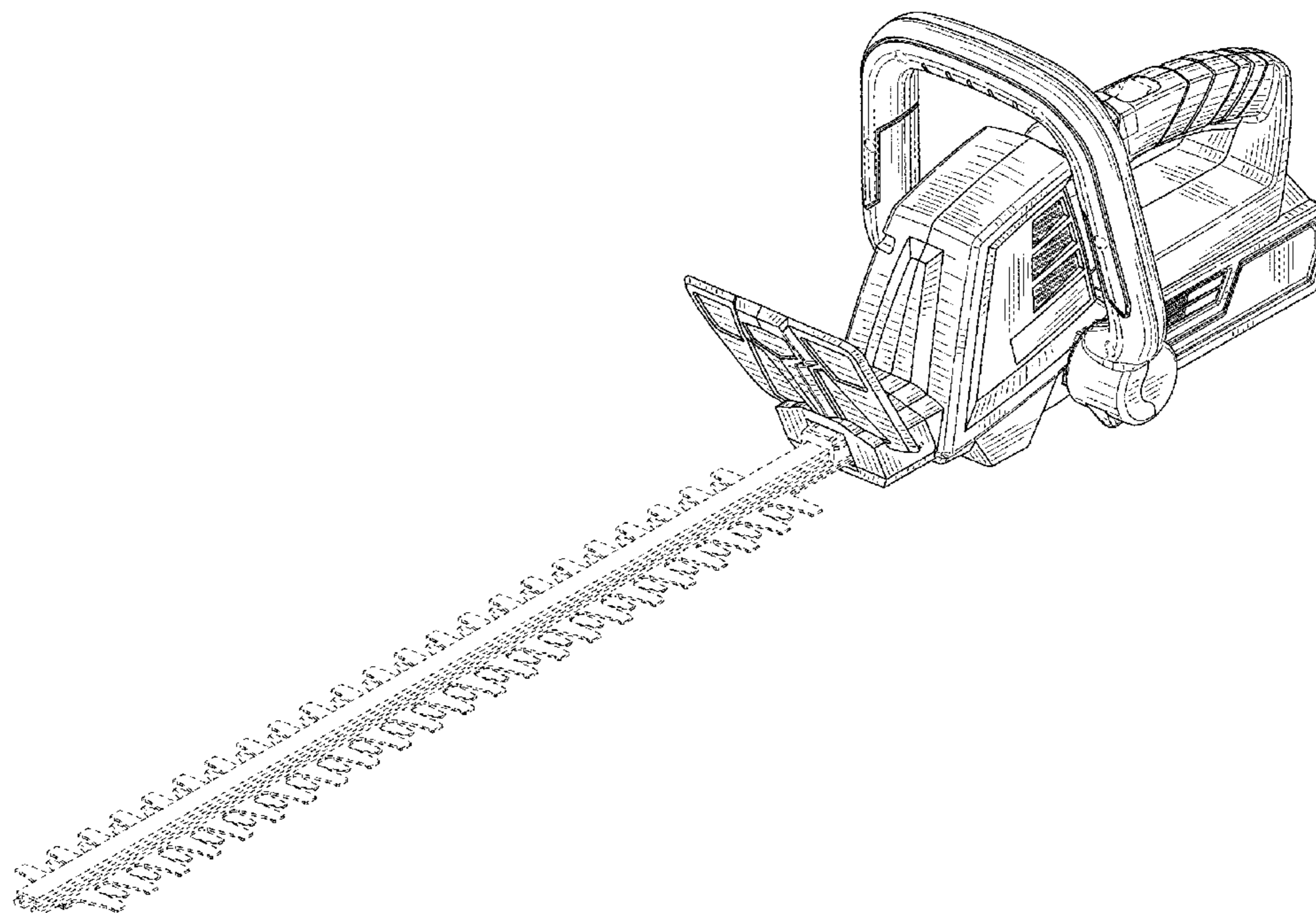
(57) **CLAIM**

The ornamental design for a hedger, as shown and described.

DESCRIPTION

FIG. 1 is a front right perspective view of a hedger showing our new design;
FIG. 2 is a front elevation view thereof;
FIG. 3 is a rear elevation view thereof;
FIG. 4 is a left-side elevation view thereof;
FIG. 5 is a right-side elevation view thereof;
FIG. 6 is a top plan view thereof; and,
FIG. 7 is a bottom plan view thereof.
The broken lines represent portions of the hedger and form no part of the claimed design.

1 Claim, 7 Drawing Sheets



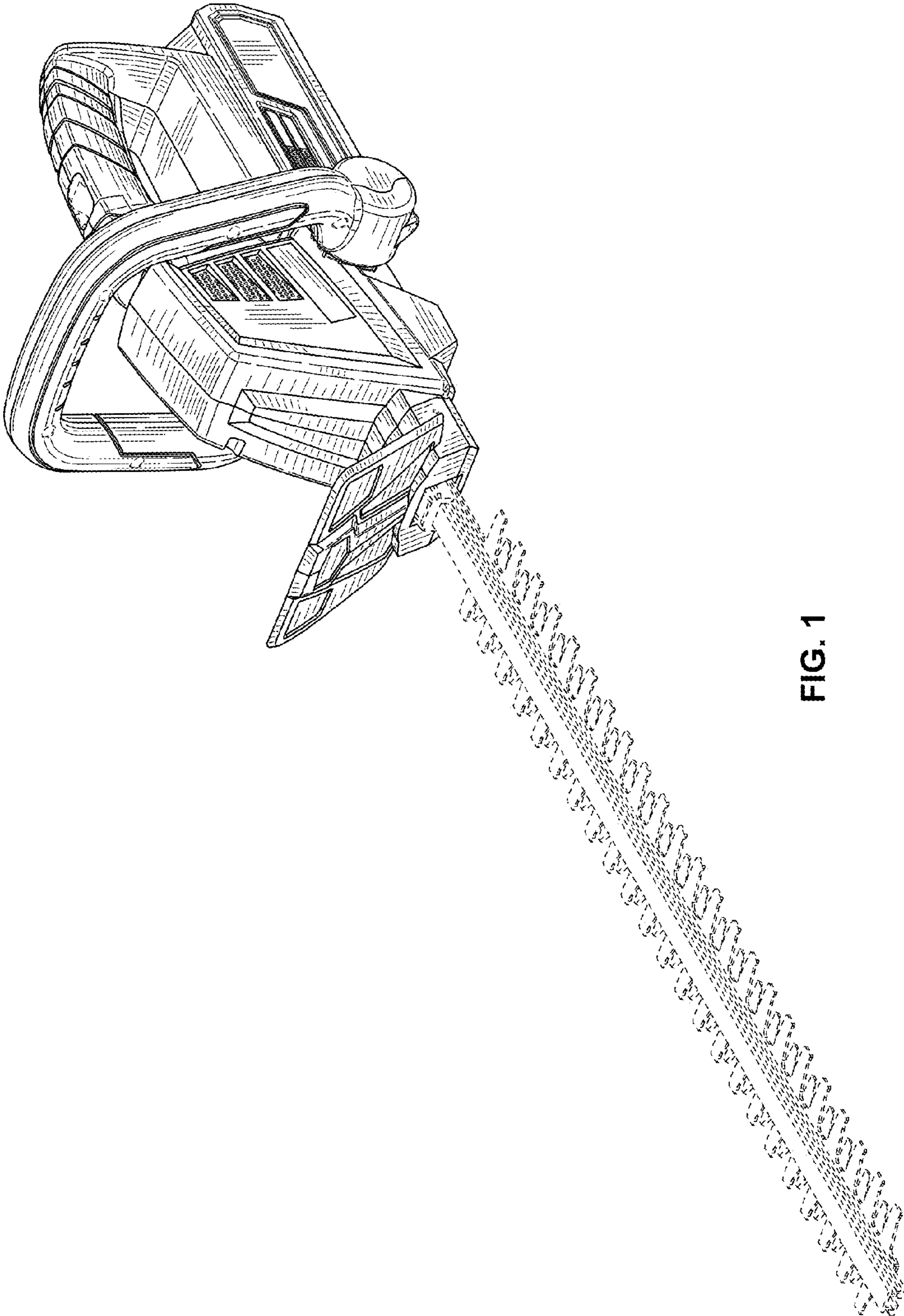


FIG. 1

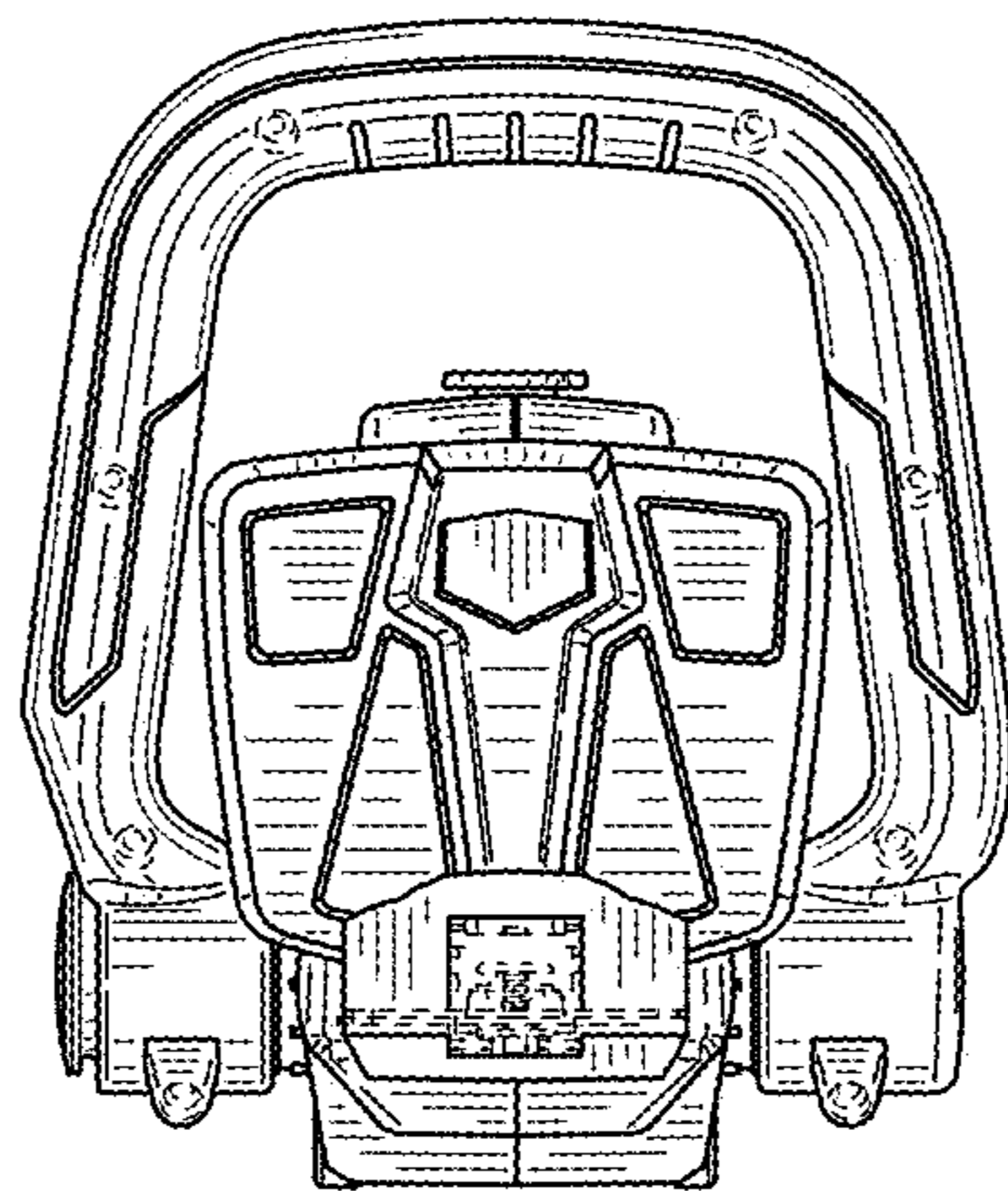


FIG. 2

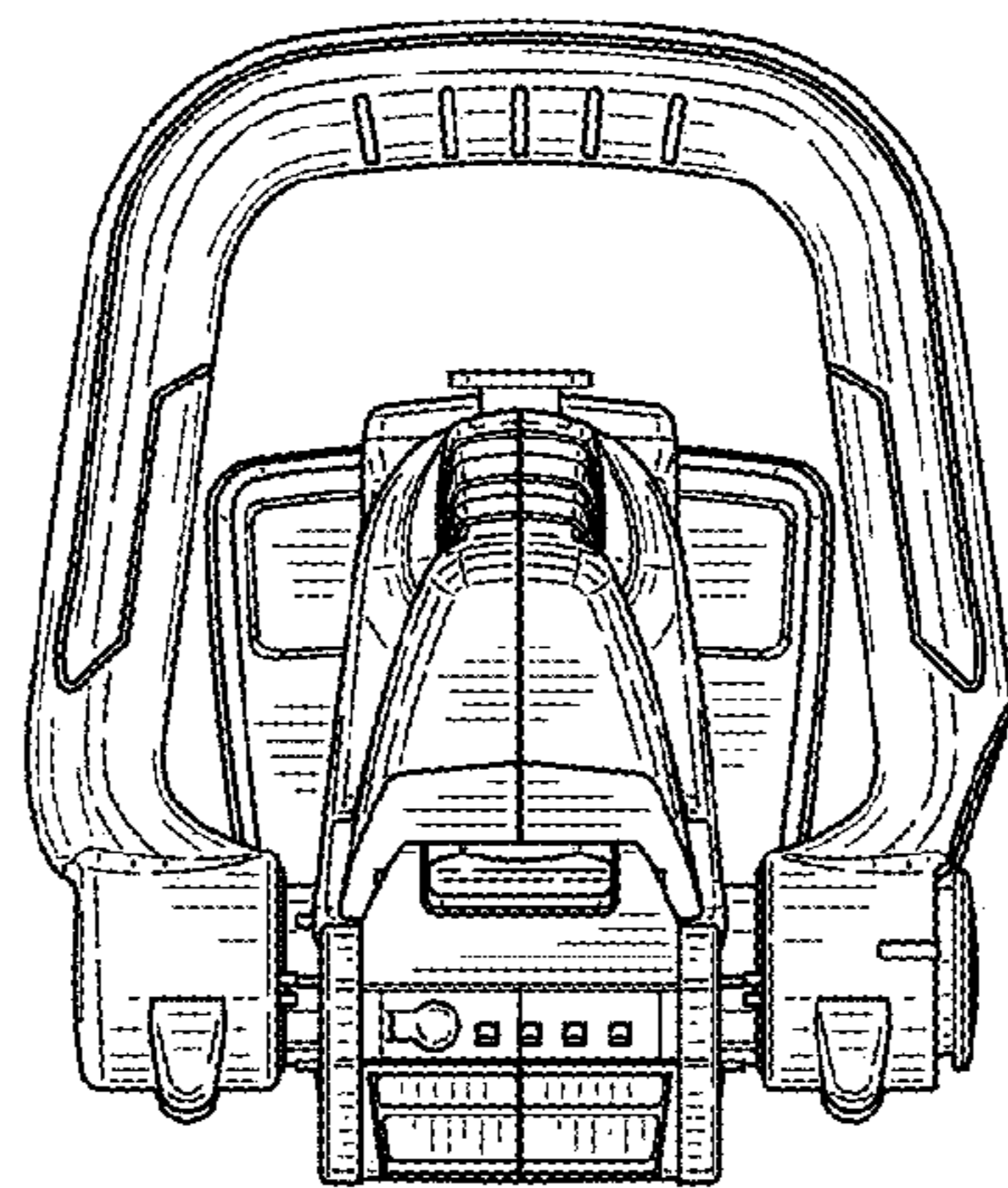


FIG. 3

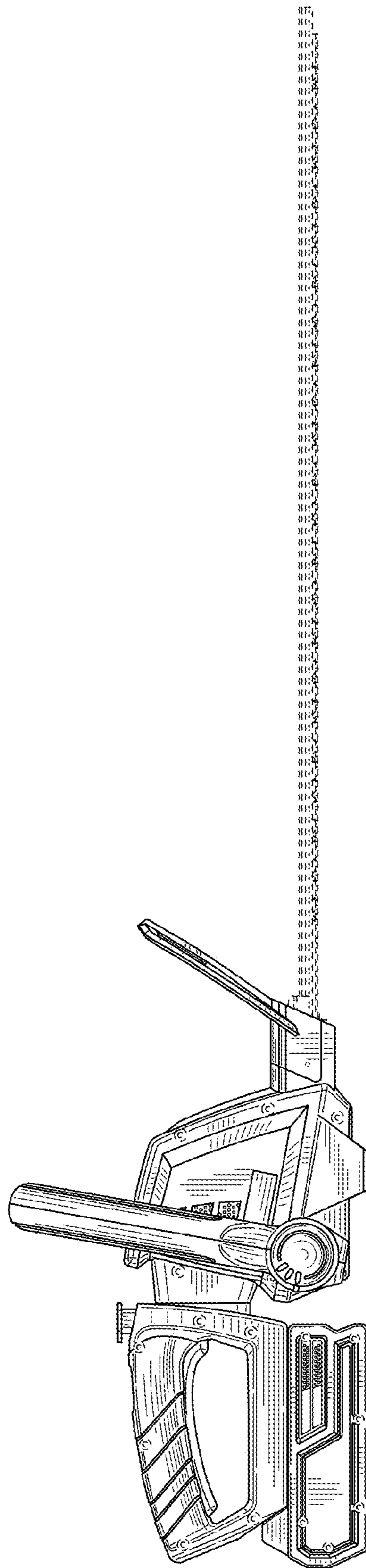


FIG. 4

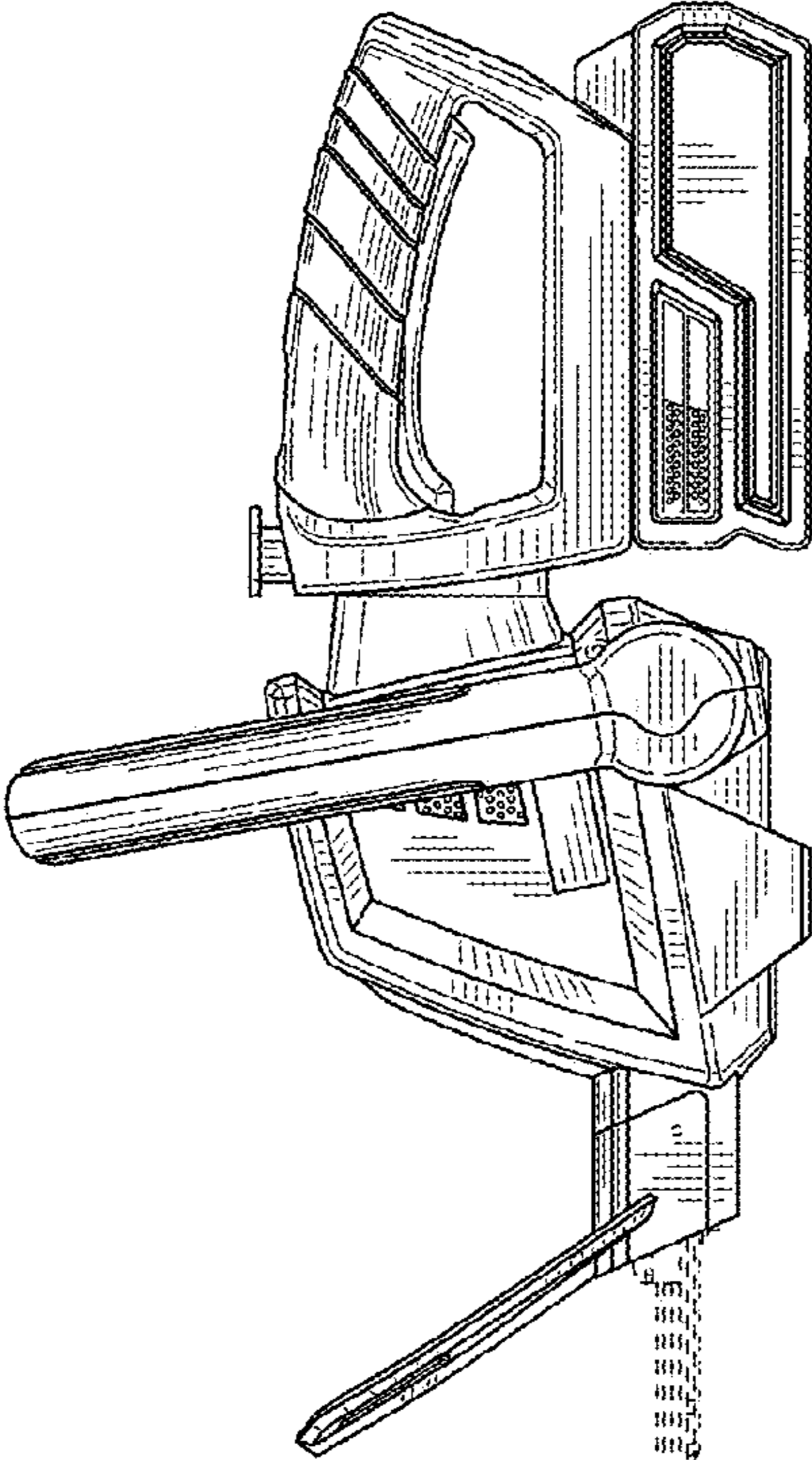


FIG. 5

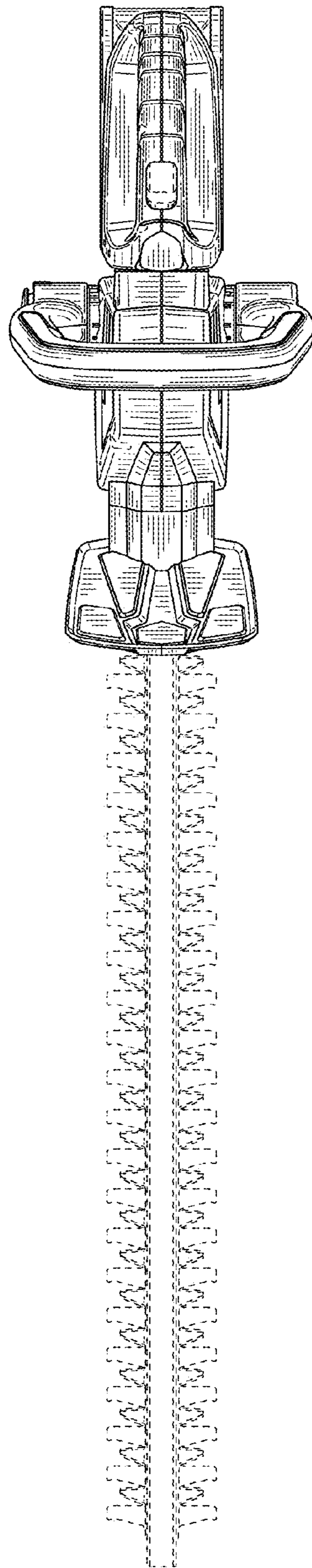


FIG. 6

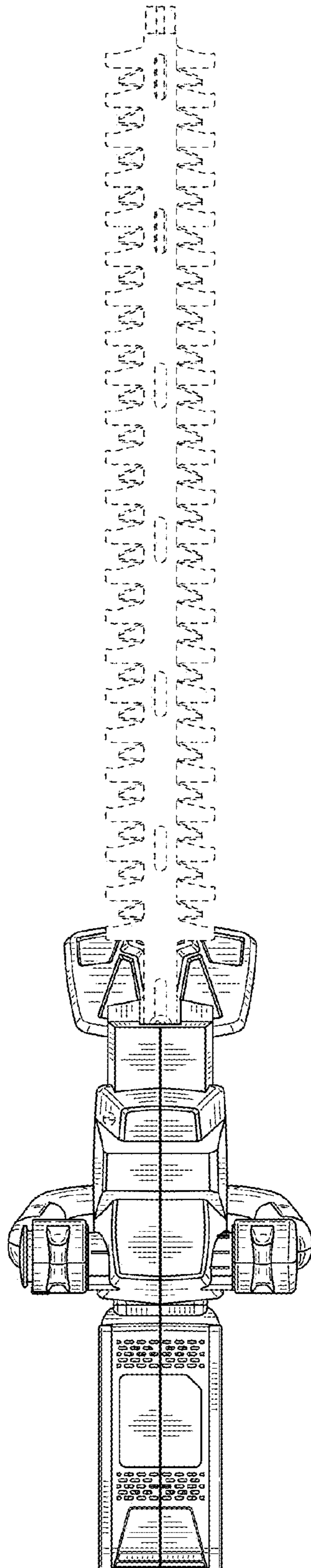


FIG. 7