



US00D741668S

(12) **United States Design Patent**  
**Hundley et al.**

(10) **Patent No.:** **US D741,668 S**  
(45) **Date of Patent:** **\*\* Oct. 27, 2015**

- (54) **UTENSIL**
- (71) Applicant: **The Vollrath Company, L.L.C.**,  
Sheboygan, WI (US)
- (72) Inventors: **Jill E. Hundley**, Sheboygan, WI (US);  
**Mark V. LeGreve**, Two Rivers, WI (US);  
**Rebecca J. Schreiber-Pethan**,  
Sheboygan, WI (US); **Dake Wang**,  
Sheboygan, WI (US)
- (73) Assignee: **The Vollrath Company, L.L.C.**,  
Sheboygan, WI (US)

3,322,075 A	5/1967	Cronheim	
3,421,456 A	1/1969	Weinstein	
3,598,062 A	8/1971	Weinstein	
D312,193 S	11/1990	Cooper	
5,000,672 A *	3/1991	Halimi	425/279
5,044,914 A	9/1991	Schulling	
5,131,832 A *	7/1992	Budreau	425/277
D329,784 S *	9/1992	Wong	D7/681
5,253,557 A	10/1993	Dolak	
D342,867 S *	1/1994	Wong	D7/681
D361,480 S	8/1995	Cooper	

(Continued)

- (\*\*) Term: **14 Years**
- (21) Appl. No.: **29/482,828**
- (22) Filed: **Feb. 21, 2014**

**Related U.S. Application Data**

- (63) Continuation-in-part of application No. 29/449,277,  
filed on Mar. 14, 2013, now Pat. No. Des. 708,490.
- (51) **LOC (10) Cl.** ..... **07-99**
- (52) **U.S. Cl.**  
USPC ..... **D7/681**
- (58) **Field of Classification Search**  
USPC ..... D7/680-696, 393, 395, 401.1;  
30/324-328; 425/187, 276-285, 169,  
425/299, DIG. 13; 294/176-180  
CPC ..... A47J 43/282; A23P 1/105  
See application file for complete search history.

(56) **References Cited**

**U.S. PATENT DOCUMENTS**

841,097 A	1/1907	Aiken et al.	
1,109,576 A	9/1914	Gilchrist	
1,194,685 A	8/1916	Walker	
2,210,623 A *	8/1940	Kelly	425/277
2,351,568 A *	6/1944	Wheaton	205/73
2,547,651 A	4/1951	McCrum	

**OTHER PUBLICATIONS**

Zeroll, Ice Cream Scoop Brochure, dated 2007, 14 pages.

*Primary Examiner* — Terry Wallace

(74) *Attorney, Agent, or Firm* — Foley & Lardner LLP

(57) **CLAIM**

We claim the ornamental design for a utensil, as shown and described.

**DESCRIPTION**

FIG. 1 is a top perspective view of a utensil showing our new design.

FIG. 2 is a top plan view thereof.

FIG. 3 is a bottom plan view thereof.

FIG. 4 is a right side view thereof.

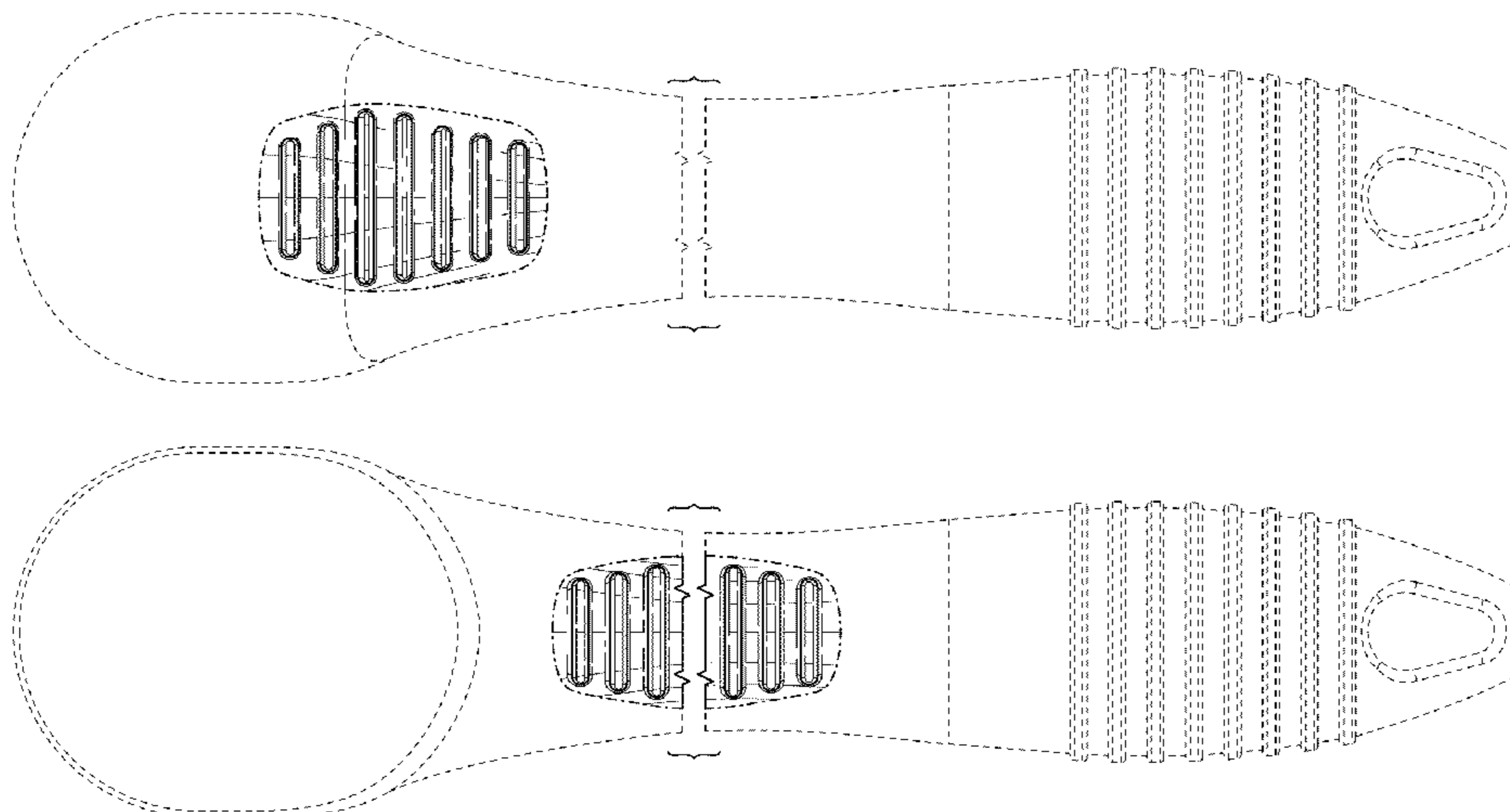
FIG. 5 is a left side view thereof.

FIG. 6 is a front view thereof; and,

FIG. 7 is a rear view thereof.

The broken lines in the drawings are for purposes of illustrating unclaimed portions of the design. Broken lines formed by equal length dashes show unclaimed portions of the design. Broken lines formed of unequal length dashes (i.e., dash-dot) show boundaries between claimed and unclaimed portions of the design. Symbolic break lines having a jagged element show that no particular length of the portion is claimed, such lines and any portion of the article between such lines form no part of the claimed design.

**1 Claim, 4 Drawing Sheets**



(56)

**References Cited**

U.S. PATENT DOCUMENTS

D371,283 S 7/1996 Cooper  
D391,811 S \* 3/1998 Molo ..... D7/681  
D471,409 S \* 3/2003 Bressler et al. .... D7/681  
D475,899 S \* 6/2003 Ming-Shiue ..... D7/681  
D486,354 S 2/2004 Bratton et al.

D487,863 S \* 3/2004 Bitonto et al. .... D7/681  
6,846,171 B2 \* 1/2005 Herbert ..... 425/277  
D501,373 S \* 2/2005 Allen et al. .... D7/681  
D508,386 S \* 8/2005 Lee ..... D7/681  
D513,946 S \* 1/2006 Lion et al. .... D7/681  
D617,155 S \* 6/2010 Frank ..... D7/681  
D630,063 S \* 1/2011 Funka et al. .... D7/681

\* cited by examiner

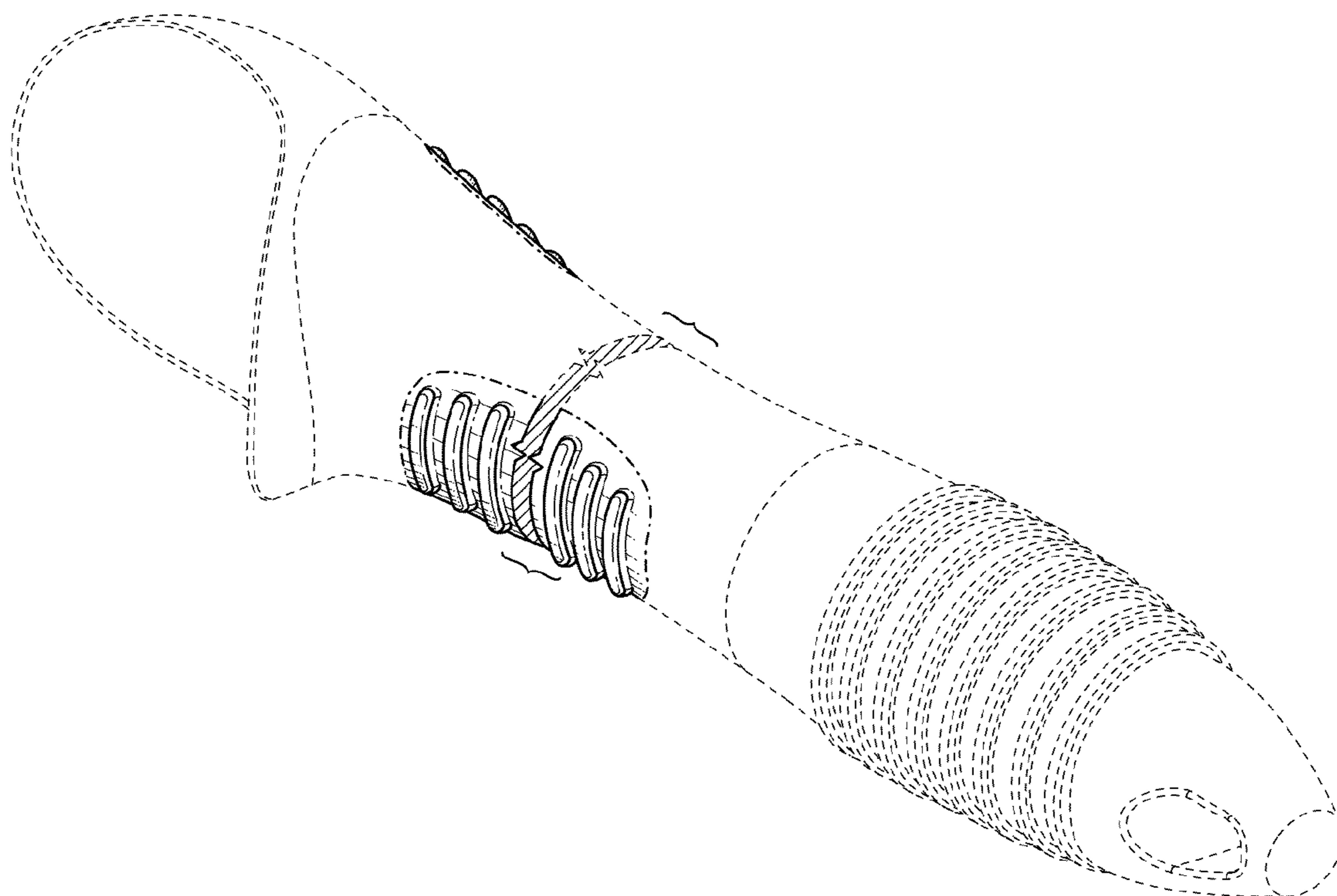


FIG. 1

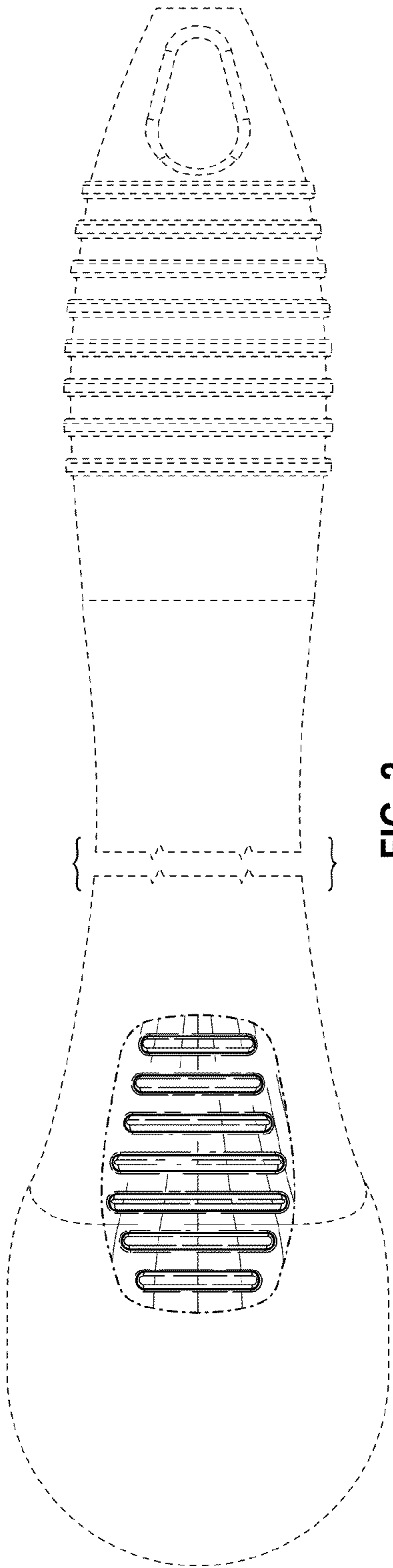


FIG. 2

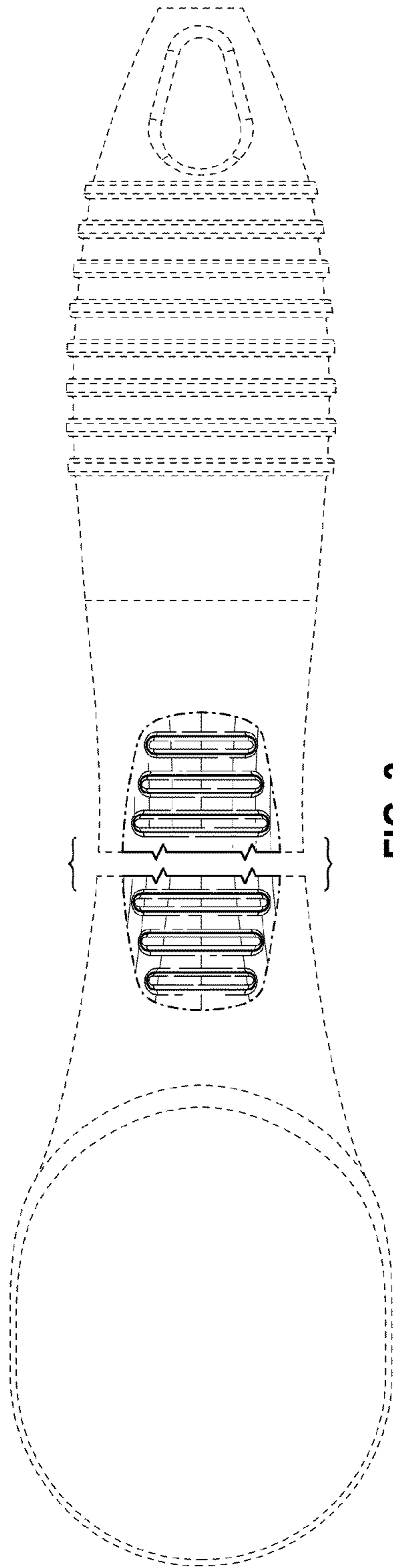
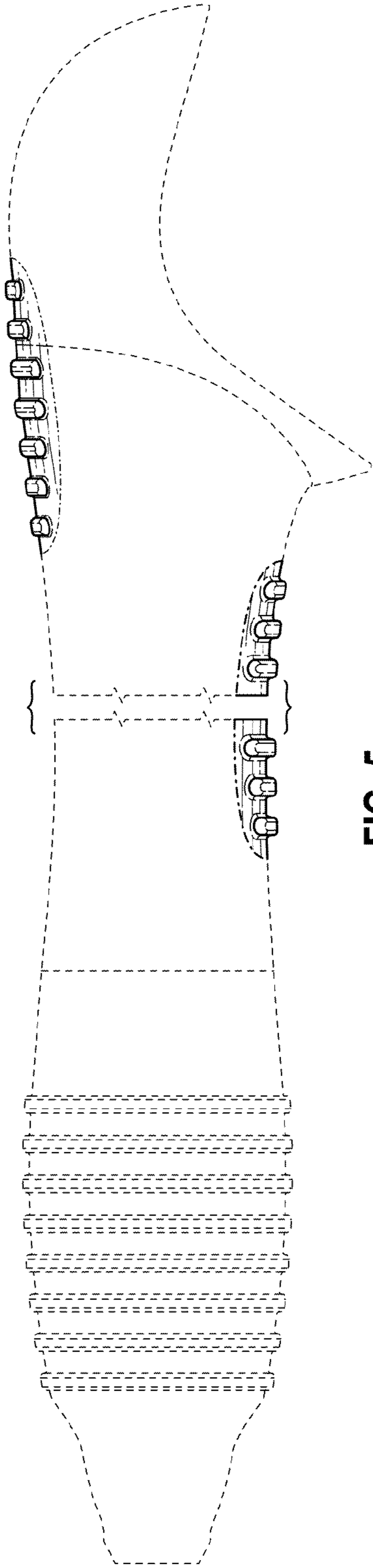
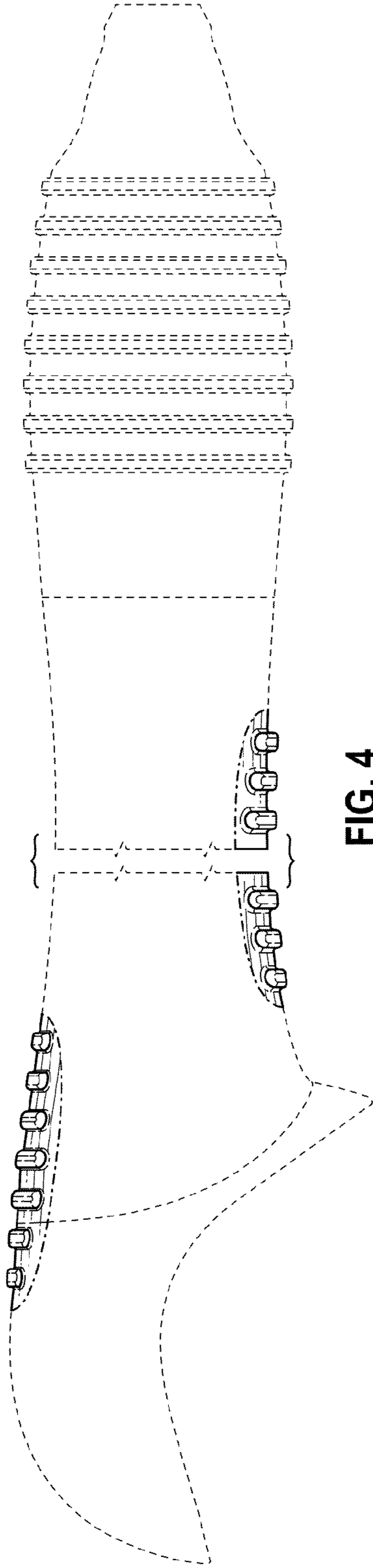


FIG. 3





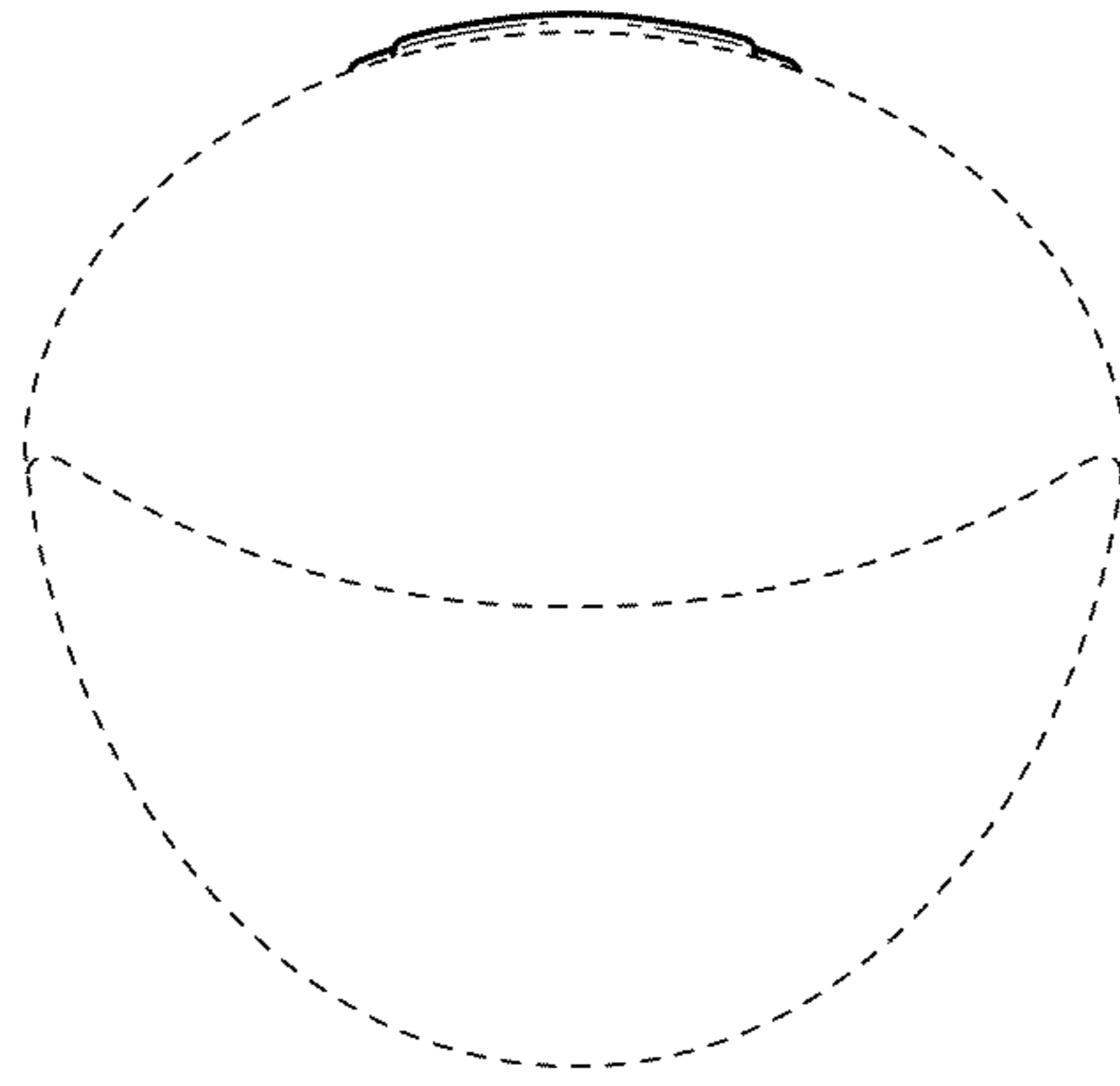


FIG. 6

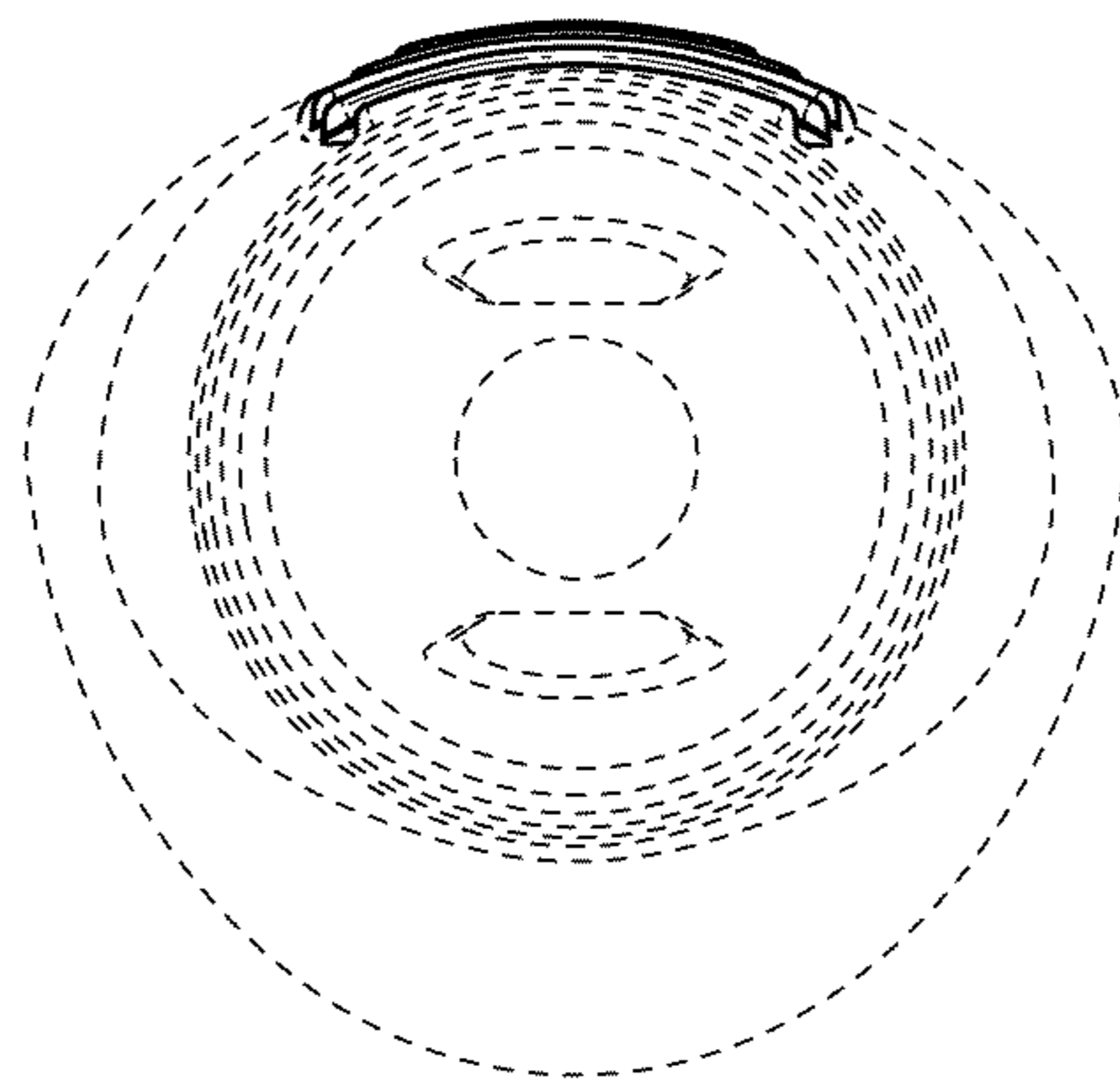


FIG. 7