



US00D741662S

(12) **United States Design Patent**  
**Steel**

(10) **Patent No.:** **US D741,662 S**

(45) **Date of Patent:** **\*\* Oct. 27, 2015**

(54) **BEVERAGE THERMAL INSULATOR**

(71) Applicant: **Jeffrey Steel**, Hoboken, NJ (US)

(72) Inventor: **Jeffrey Steel**, Hoboken, NJ (US)

(73) Assignee: **Cotapaxi Custom Design and Manufacturing**, Carlstadt, NJ (US)

(\*\*) Term: **14 Years**

(21) Appl. No.: **29/492,102**

(22) Filed: **May 28, 2014**

(51) **LOC (10) Cl.** ..... **07-01**

(52) **U.S. Cl.**  
USPC ..... **D7/607; D7/624.2**

(58) **Field of Classification Search**  
USPC ..... D7/603-608, 619.1-625;  
62/457.1-457.9, 529, 530;  
220/737-739, 902, 903, 519.16,  
220/592.17, 592.2, 592.24  
CPC .. F25D 3/08; B65D 81/3876; B65D 81/3879;  
B65D 81/3881; B65D 81/3883; B65D  
81/3886; A47G 23/0233  
See application file for complete search history.

(56) **References Cited**

**U.S. PATENT DOCUMENTS**

4,344,303 A \* 8/1982 Kelly, Jr. .... 62/530  
4,540,611 A \* 9/1985 Henderson ..... 220/903

4,736,885 A \* 4/1988 Negus, Sr. .... 229/110  
4,798,063 A \* 1/1989 Rimmer ..... 62/457.4  
D347,553 S \* 6/1994 Schneider ..... D7/607  
5,445,315 A \* 8/1995 Shelby ..... 220/903  
5,651,254 A \* 7/1997 Berry ..... 62/457.4  
D411,079 S \* 6/1999 Graham ..... D7/624.2  
D662,784 S \* 7/2012 Fleck ..... D7/607

\* cited by examiner

*Primary Examiner* — Terry Wallace

(74) *Attorney, Agent, or Firm* — Steven E. Shapiro

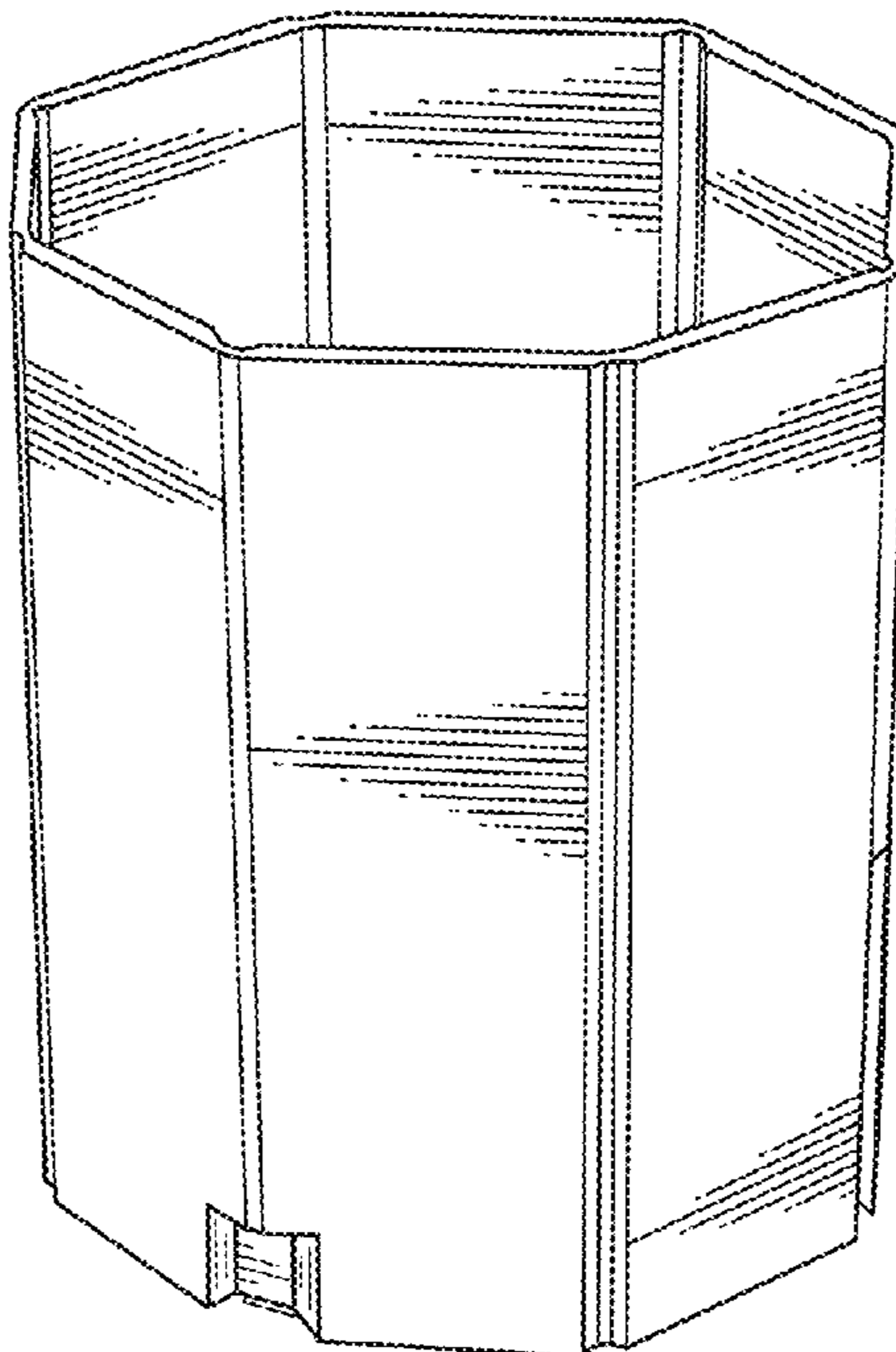
(57) **CLAIM**

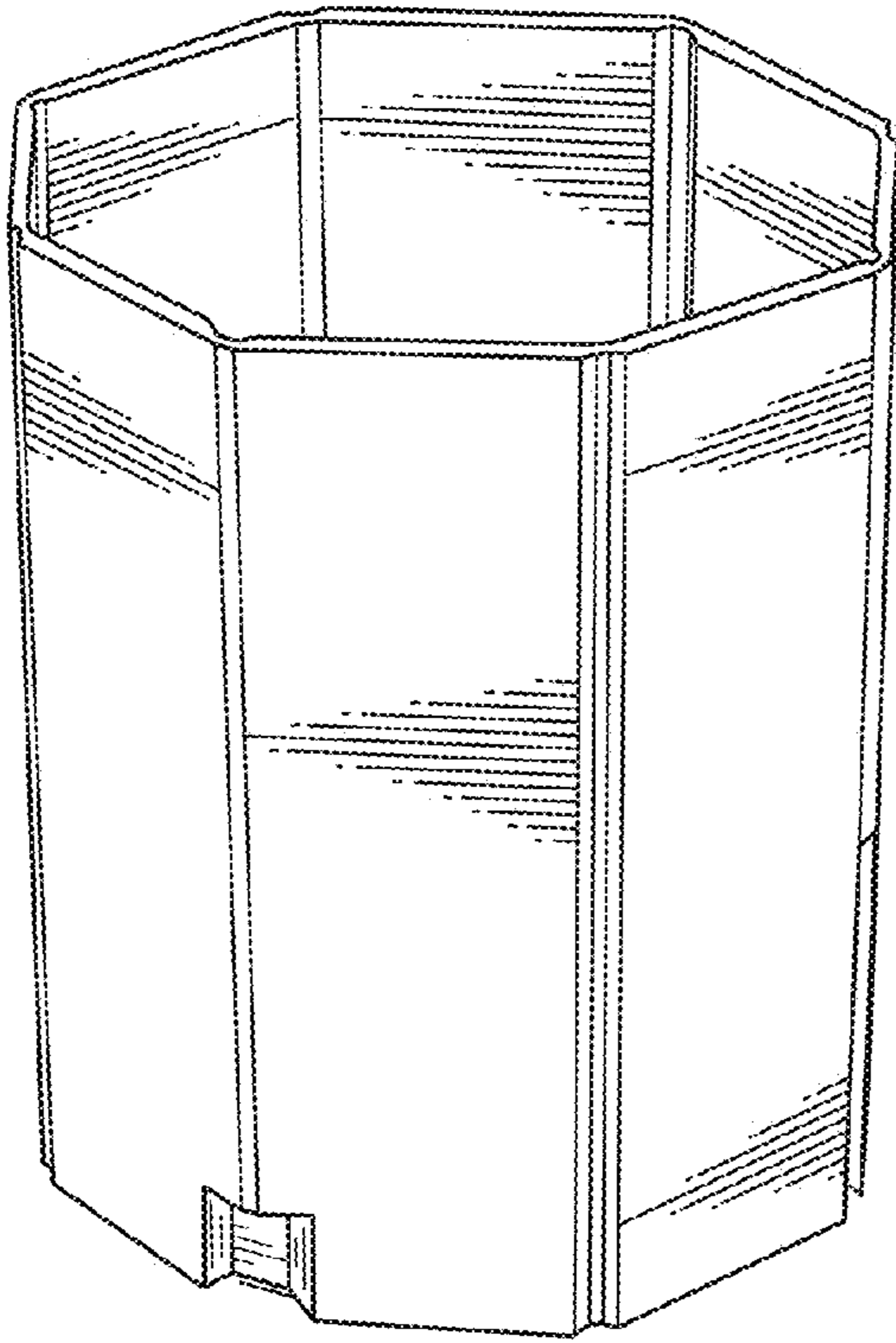
The ornamental design for a beverage thermal insulator, as shown and described.

**DESCRIPTION**

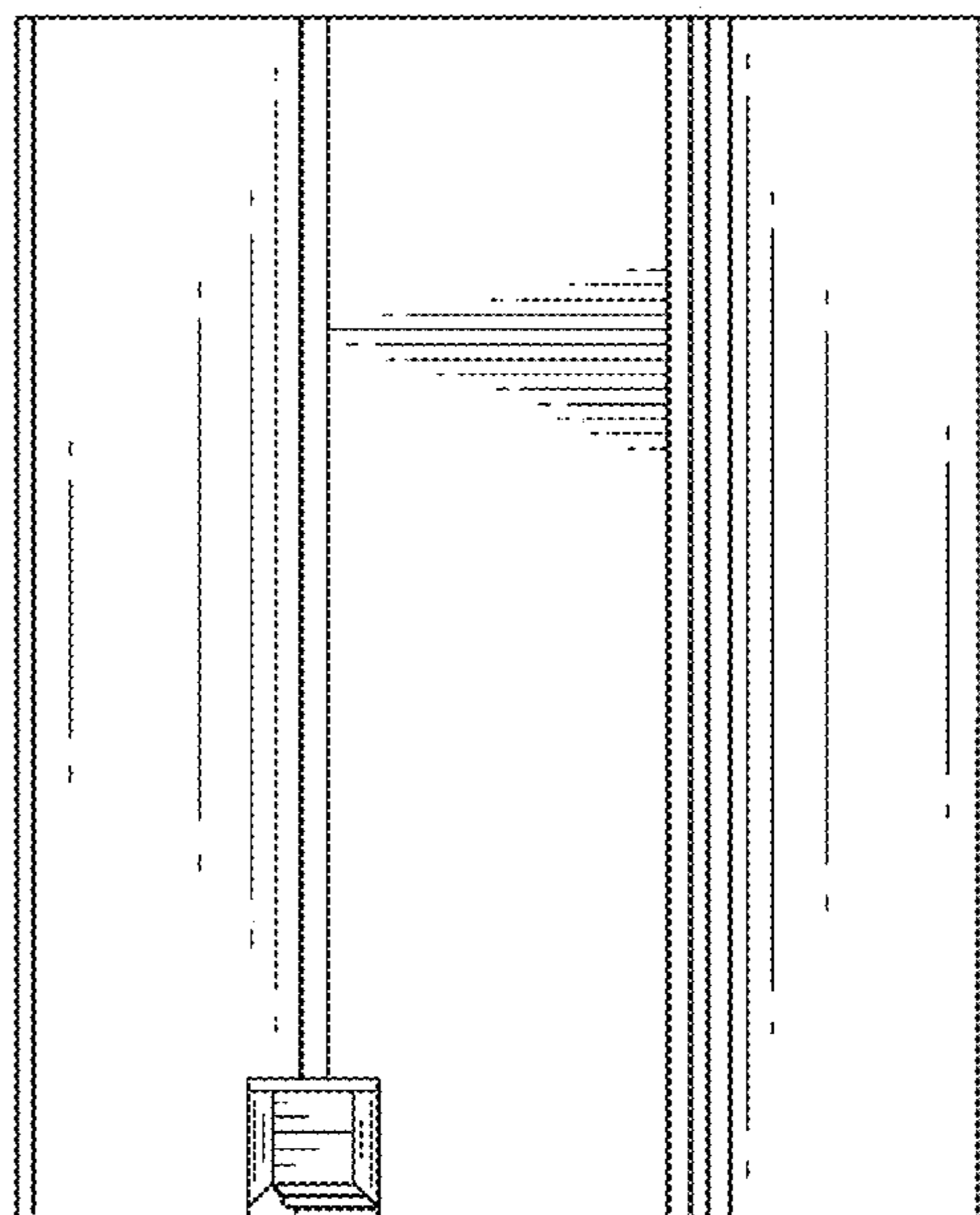
FIG. 1 is a top perspective view of a beverage thermal insulator;  
FIG. 2 is a front view of the beverage thermal insulator;  
FIG. 3 is a rear view of the beverage thermal insulator;  
FIG. 4 is a right side view of the beverage thermal insulator;  
FIG. 5 is a left side view of the beverage thermal insulator;  
FIG. 6 is a top view of the beverage thermal insulator;  
FIG. 7 is a bottom view of the beverage thermal insulator;  
FIG. 8 is a bottom perspective view of the beverage thermal insulator; and,  
FIG. 9 is a side perspective view of the beverage thermal insulator.

**1 Claim, 5 Drawing Sheets**

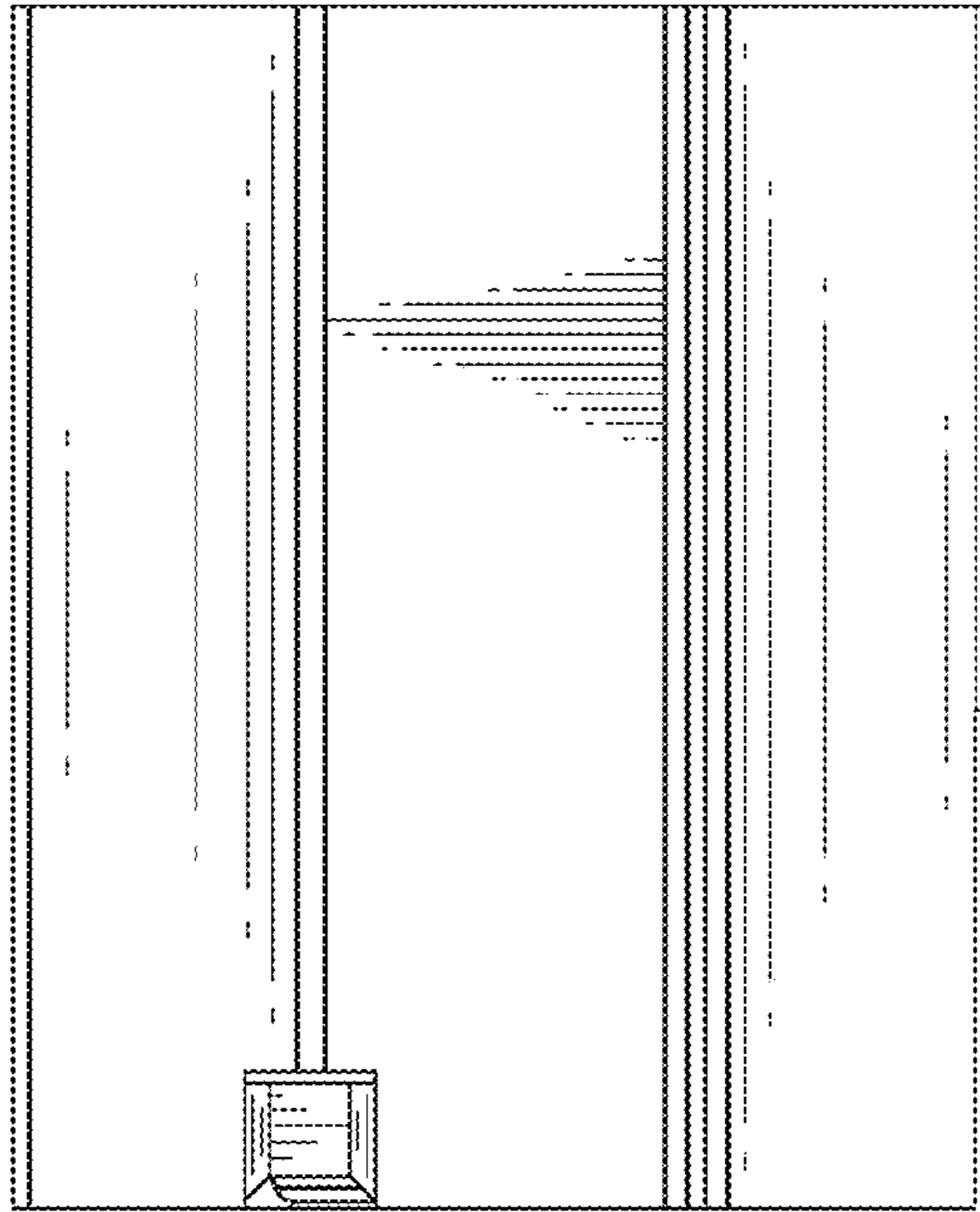




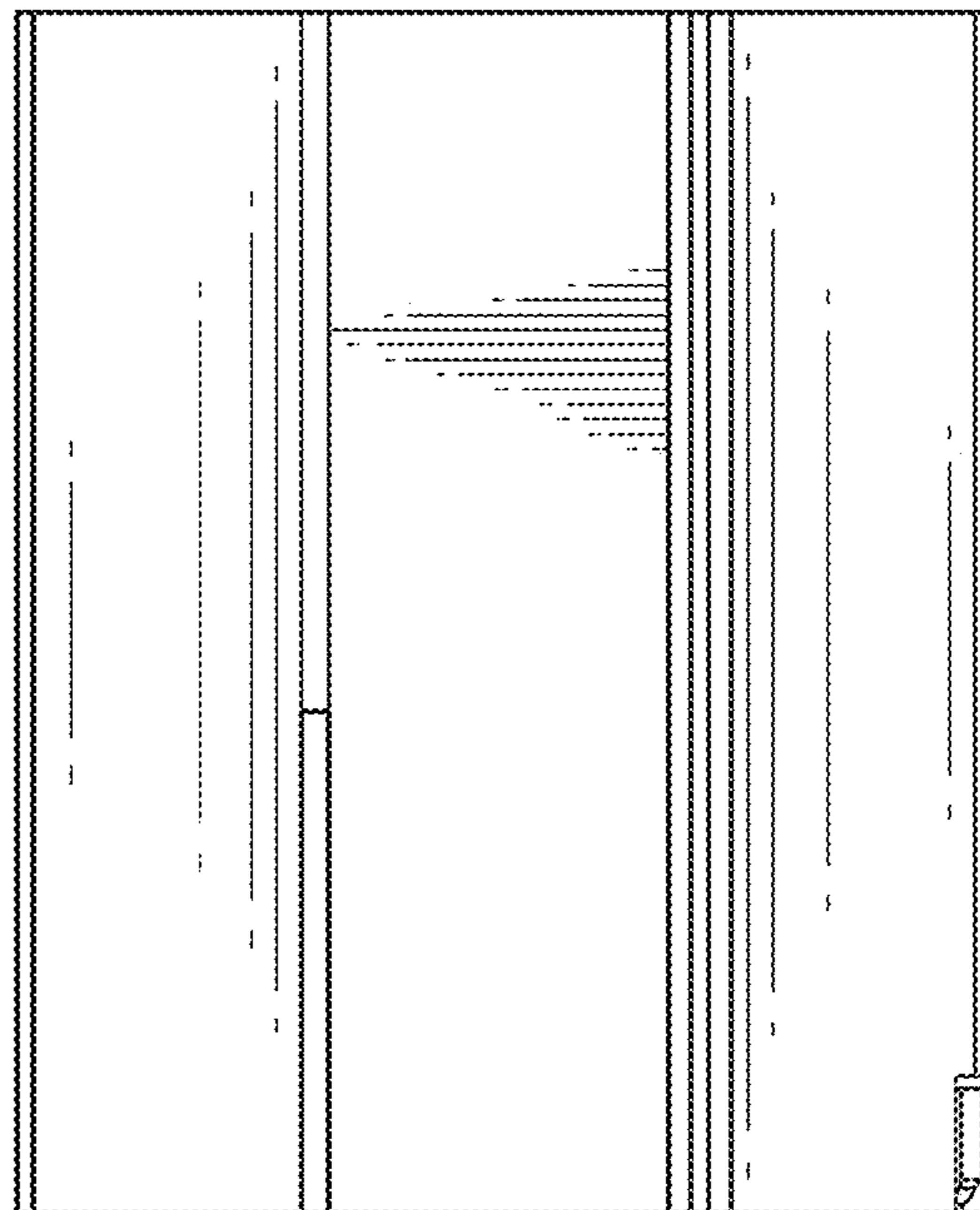
*Fig. 1*



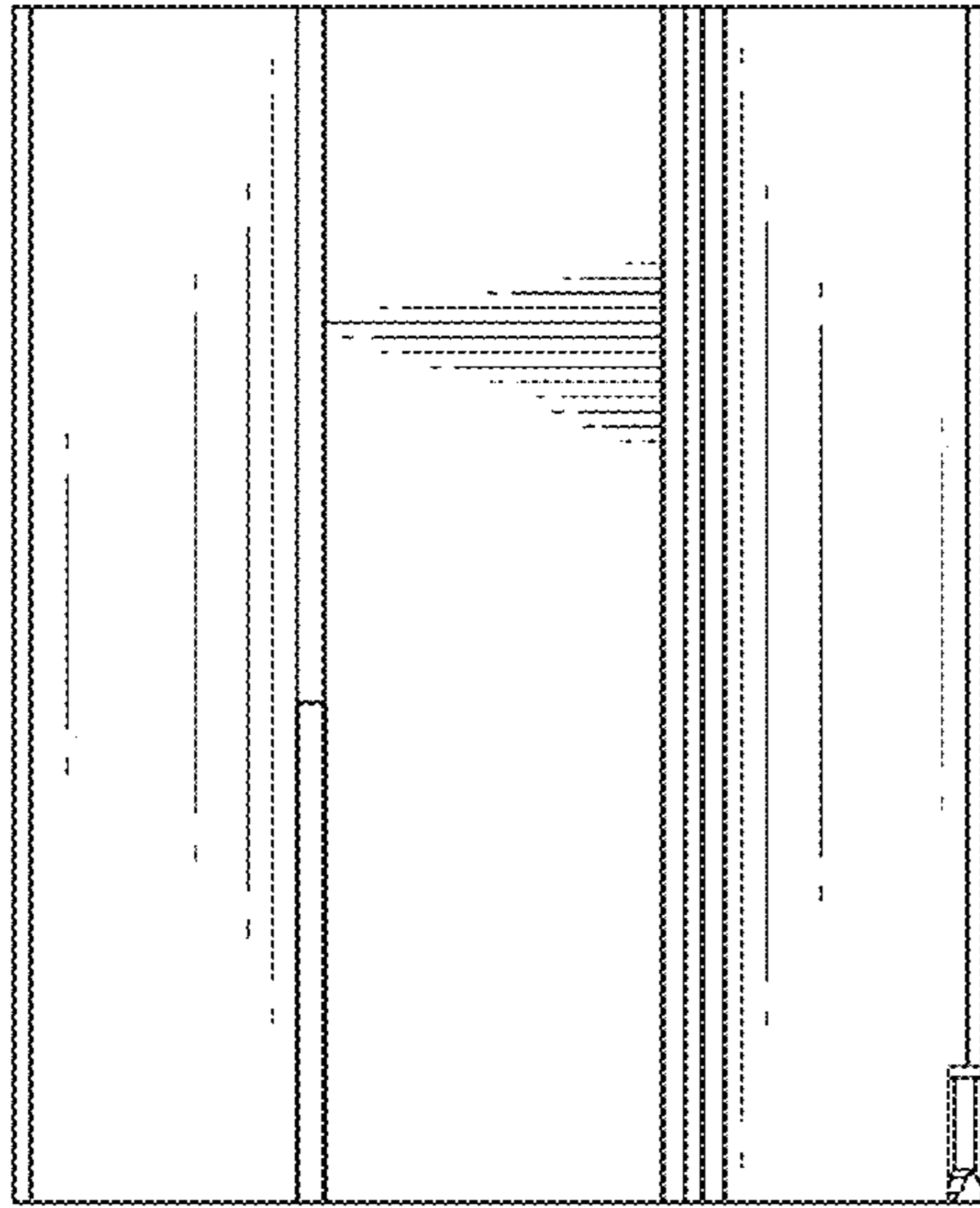
*Fig. 2*



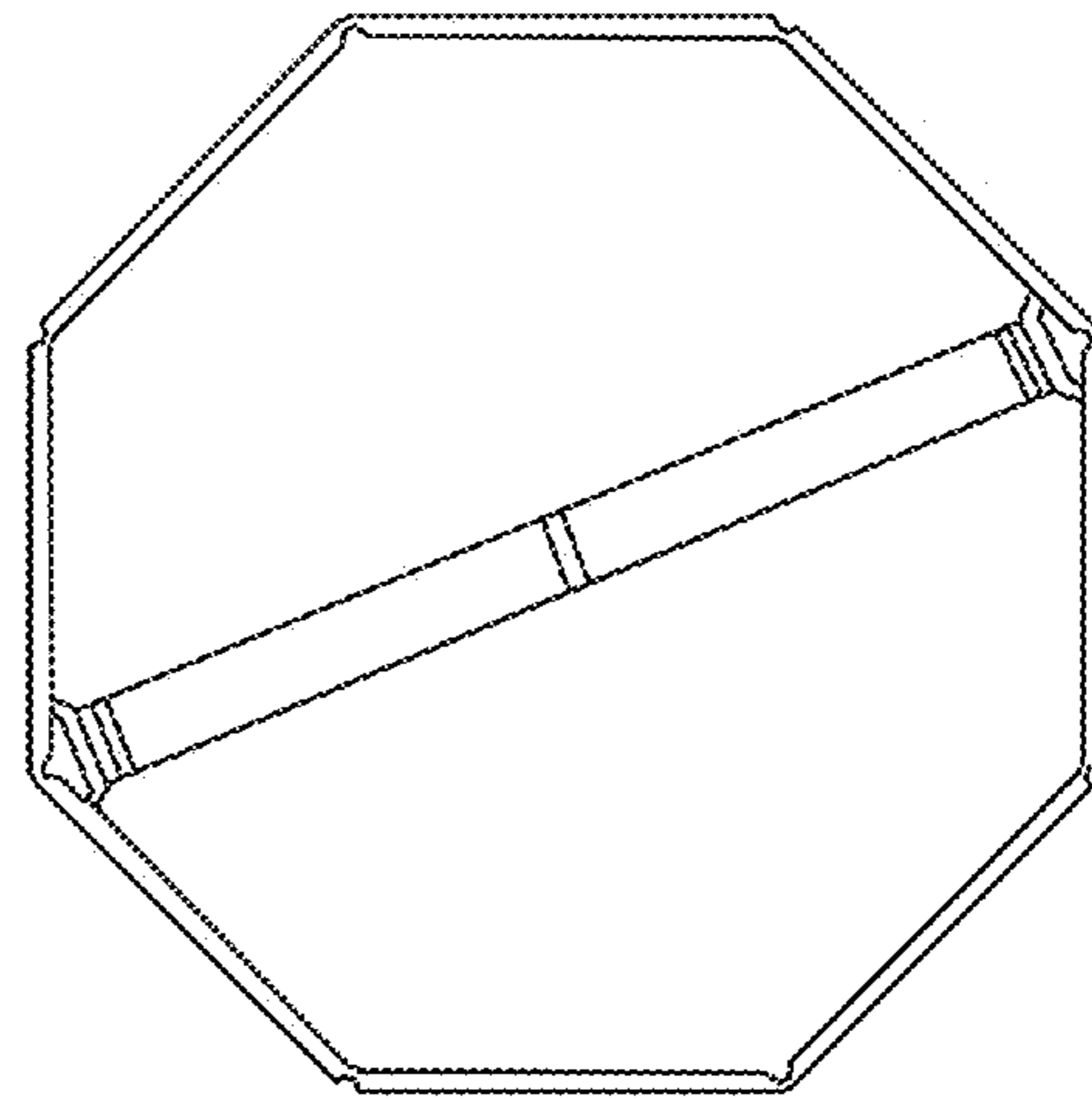
*Fig. 3*



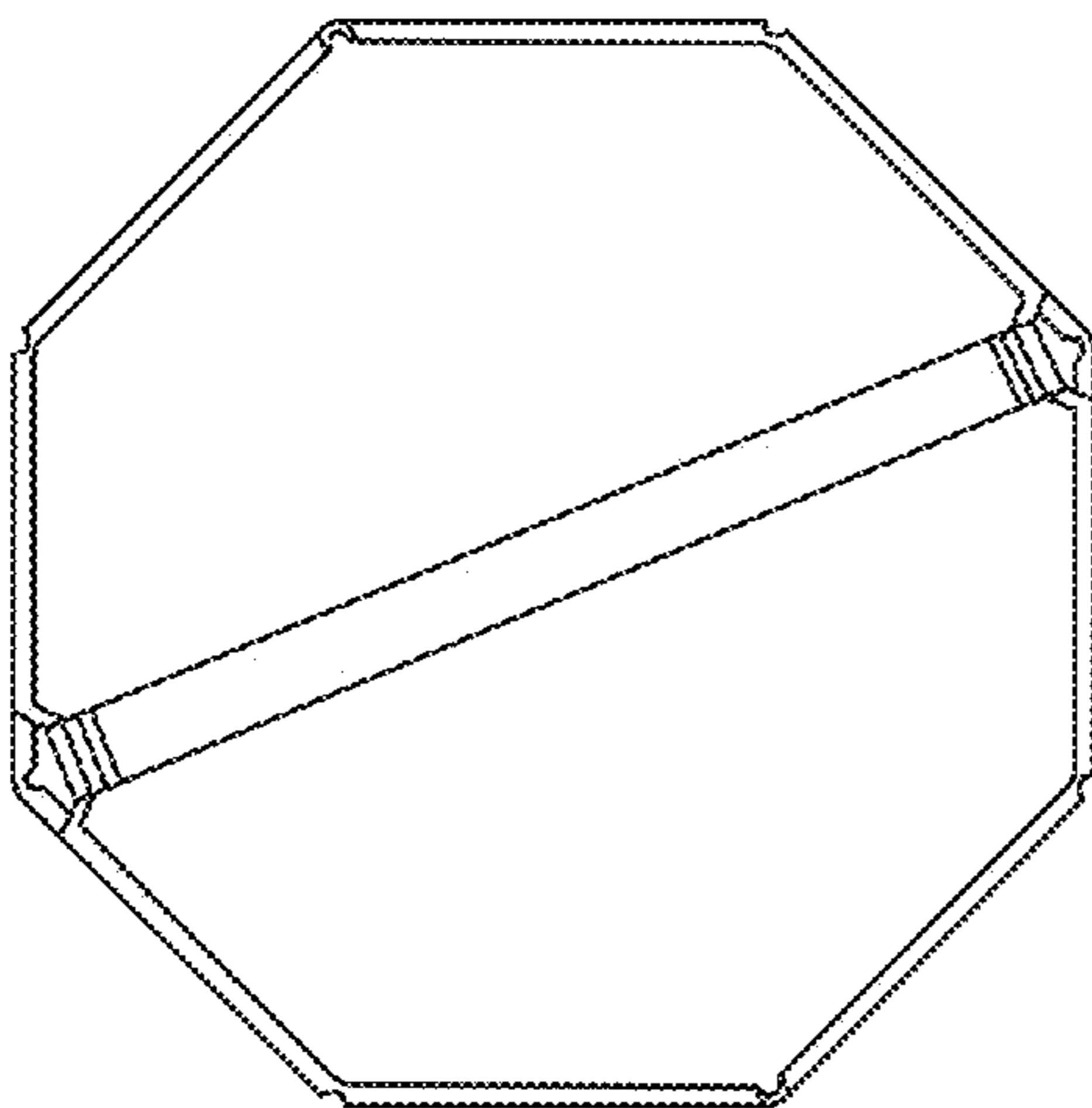
*Fig. 4*



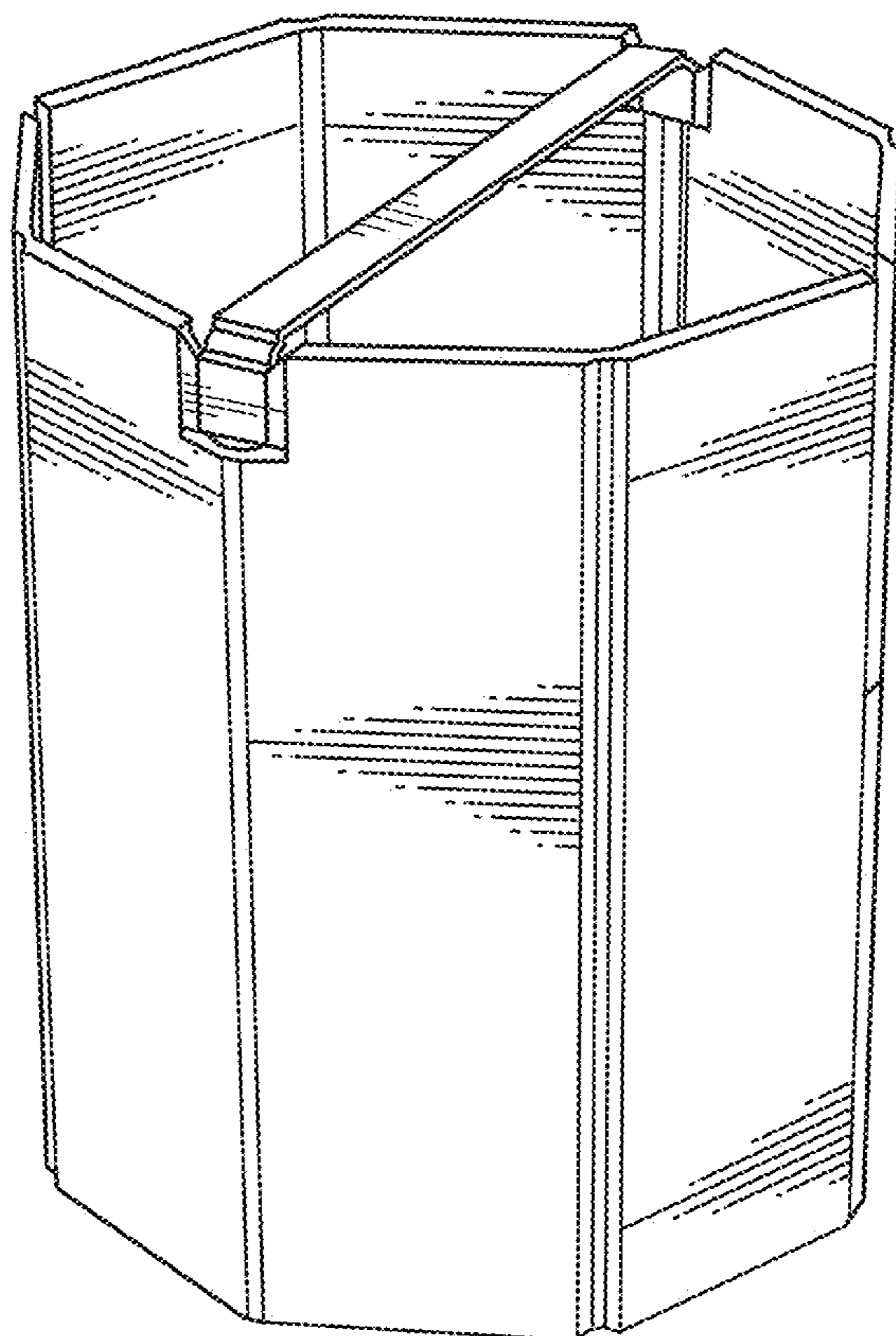
*Fig. 5*



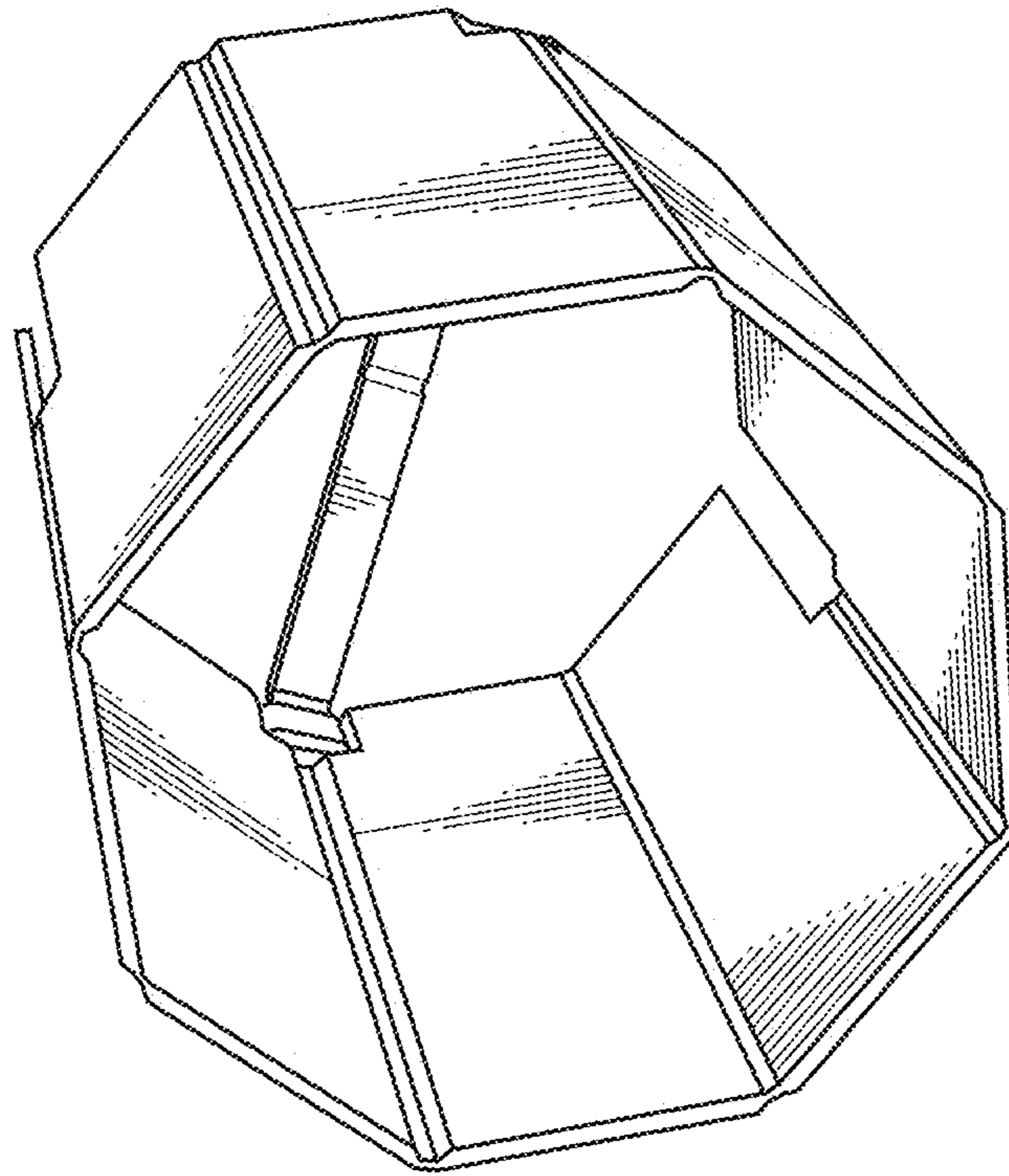
*Fig. 6*



*Fig. 7*



*Fig. 8*



*Fig. 9*