



US00D741661S

(12) **United States Design Patent**
Beatty

(10) **Patent No.:** **US D741,661 S**

(45) **Date of Patent:** **** Oct. 27, 2015**

- (54) **TOTE FOR A SLOW COOKER**
- (71) Applicant: **Nancie R. Beatty**, LaRue, OH (US)
- (72) Inventor: **Nancie R. Beatty**, LaRue, OH (US)
- (**) Term: **14 Years**
- (21) Appl. No.: **29/471,386**
- (22) Filed: **Oct. 31, 2013**
- (51) **LOC (10) Cl.** **07-01**
- (52) **U.S. Cl.**
USPC **D7/601**
- (58) **Field of Classification Search**
USPC D7/601, 605, 607, 703; D3/273, 276,
D3/284, 287, 290, 291, 232-233,
D3/245-246; 150/100, 103-110, 112;
383/109, 110, 113
CPC A47J 47/14; B65D 81/38; B65D 75/00;
A45C 3/04; A45C 3/06; A45C 13/1046;
A45C 13/02; A45C 7/0077; A45C 1/024;
A45C 11/00; A45C 11/20; A45C 15/00;
A45C 2003/007; A45C 2200/20; A45C 3/001
See application file for complete search history.

- 2006/0157175 A1* 7/2006 Pace et al. 150/105
- 2012/0255658 A1 10/2012 Andreasson et al.
- 2012/0273100 A1 11/2012 Appleton
- 2013/0048649 A1* 2/2013 Williams 220/592.2
- 2013/0098922 A1 4/2013 Chen et al.
- 2014/0185963 A1* 7/2014 Lown et al. 383/39
- 2014/0248003 A1* 9/2014 Mogil et al. 383/3

* cited by examiner

Primary Examiner — Wan Laymon
Assistant Examiner — Mark Booker
(74) *Attorney, Agent, or Firm* — Richard L Miller

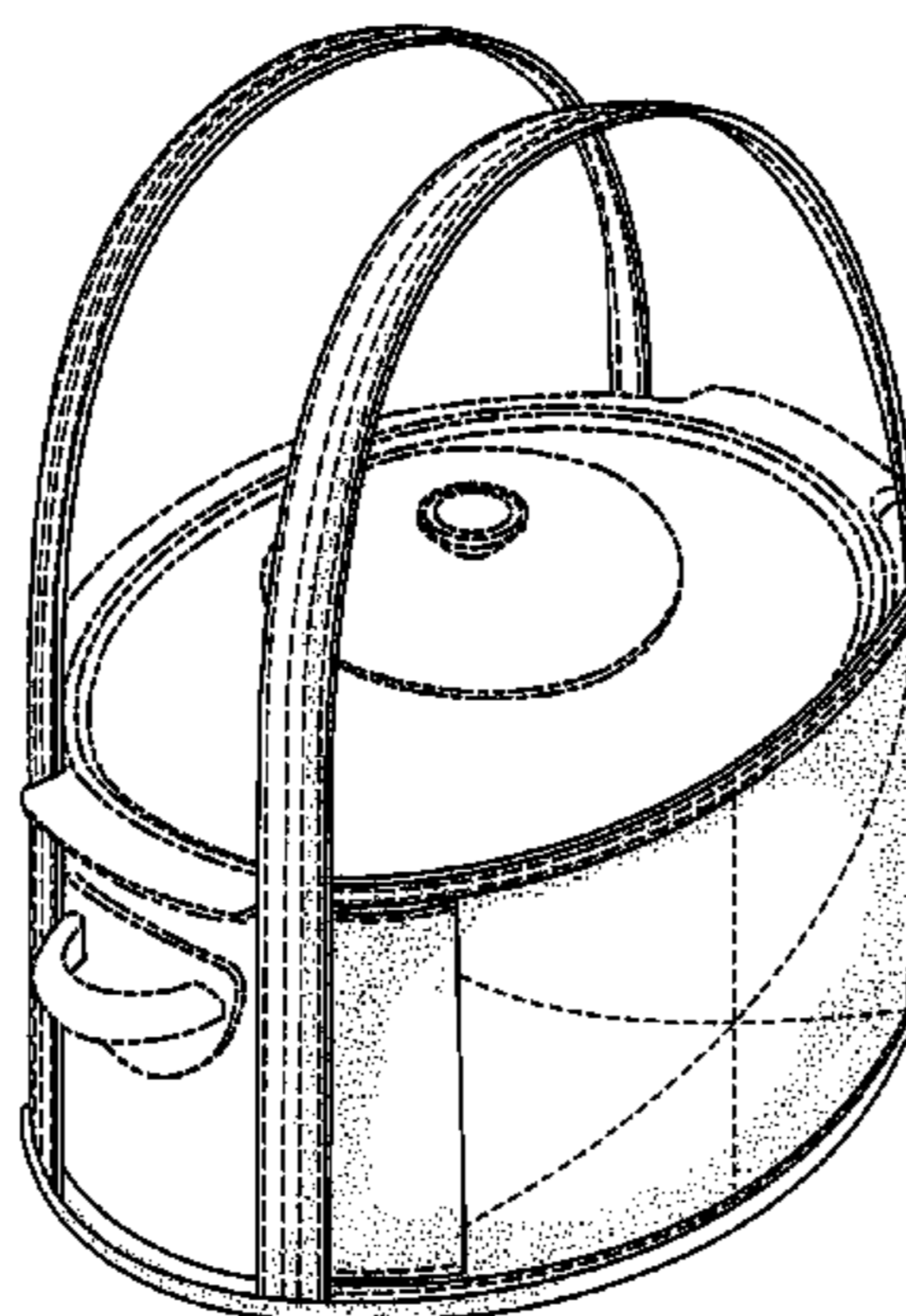
(57) **CLAIM**
The ornamental design for a tote for a slow cooker, as shown and described.

DESCRIPTION

FIG. 1 is a three quarter top, front, side perspective view of a tote for a slow cooker showing my new design;
 FIG. 2 is a right side elevational view thereof, taken in the direction of arrow 2 in FIG. 8;
 FIG. 3 is a left side elevational view thereof, taken in the direction of arrow 3 in FIG. 8;
 FIG. 4 is a front elevational view thereof, taken in the direction of arrow 4 in FIG. 8;
 FIG. 5 is a rear elevational view thereof, taken in the direction of arrow 5 in FIG. 8;
 FIG. 6 is a top plan view thereof, taken in the direction of arrow 6 in FIG. 8;
 FIG. 7 is a bottom plan view thereof, taken in the direction of arrow 7 in FIG. 8; and,
 FIG. 8 is a view identical to FIG. 1 with descriptive legend directional arrows included which are necessary for better understanding of the drawing in accordance with 37 CFR 1084(o) and appropriate with good engineering practices, so as to best indicate in what directions previous views are taken so that nothing regarding the design sought to be patented is ambiguous or left to conjecture.
 Any portion of any figure shown in broken lines are for illustrating stitching; and
 Any portion of any figure shown in phantom lines are for environmental purposes only and form no part of the claimed design.

- (56) **References Cited**
U.S. PATENT DOCUMENTS
- 3,262,283 A 7/1966 Taylor
- 3,507,312 A 4/1970 Peterson
- D281,120 S * 10/1985 Rabinowitz D3/290
- D288,146 S * 2/1987 Cathcart et al. D7/709
- D300,784 S * 4/1989 Powers et al. D3/233
- D373,055 S * 8/1996 Segura D7/709
- 5,988,879 A * 11/1999 Bredderman et al. 383/13
- D437,114 S * 2/2001 Spindler D3/283
- D491,353 S * 6/2004 Peng D3/233
- 7,153,025 B1 12/2006 Jackson et al.
- D560,450 S * 1/2008 Tagliati et al. D7/709
- 7,900,757 B2 * 3/2011 Sisitsky 190/100
- 8,079,451 B2 * 12/2011 Rothschild et al. 190/107
- D672,550 S * 12/2012 Gavrieli et al. D3/232
- D676,281 S * 2/2013 Mullen D7/601
- 2002/0114539 A1 8/2002 Strevey et al.
- 2004/0136621 A1* 7/2004 Mogil 383/110

1 Claim, 4 Drawing Sheets



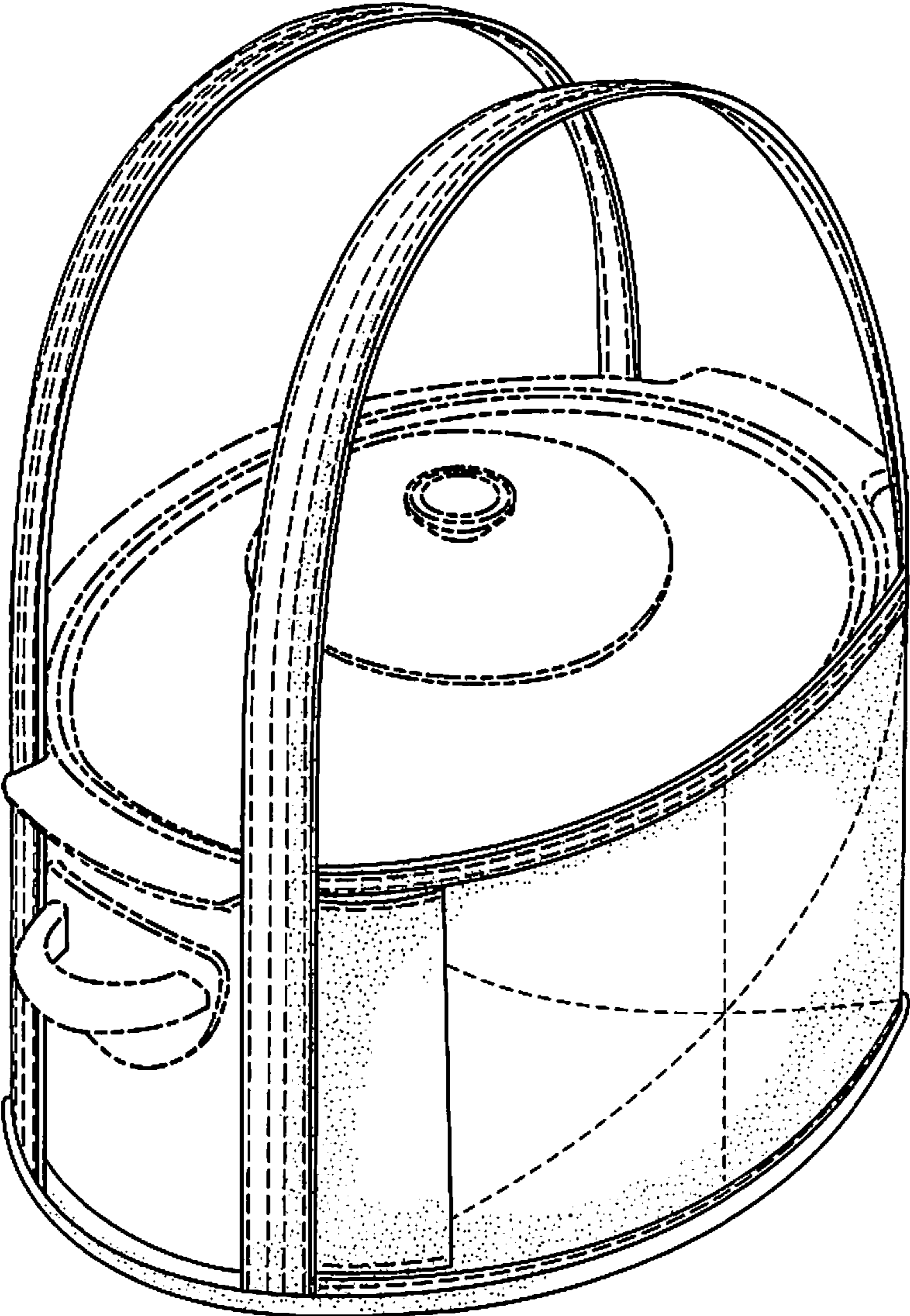


Fig 1

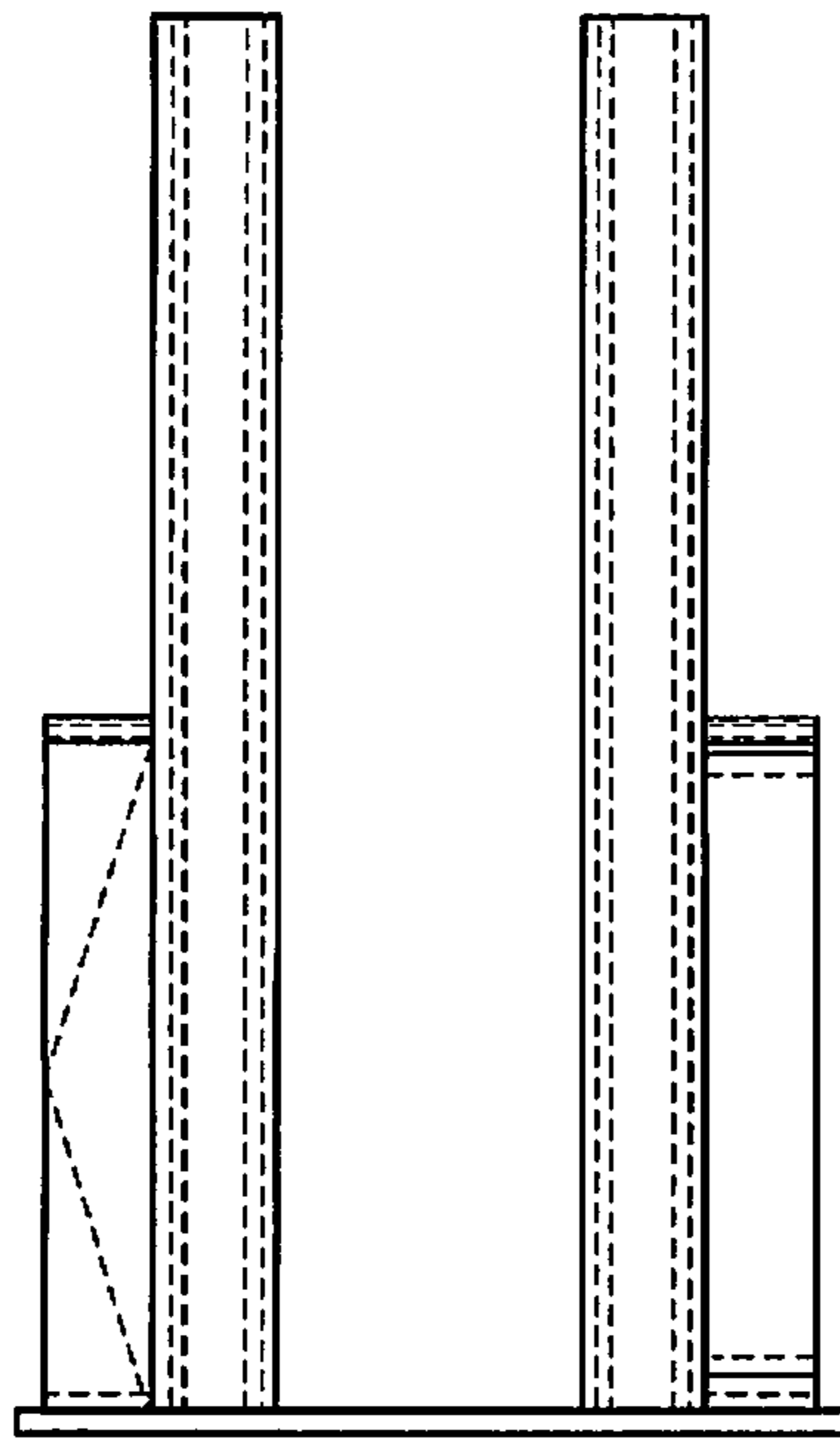


Fig 2

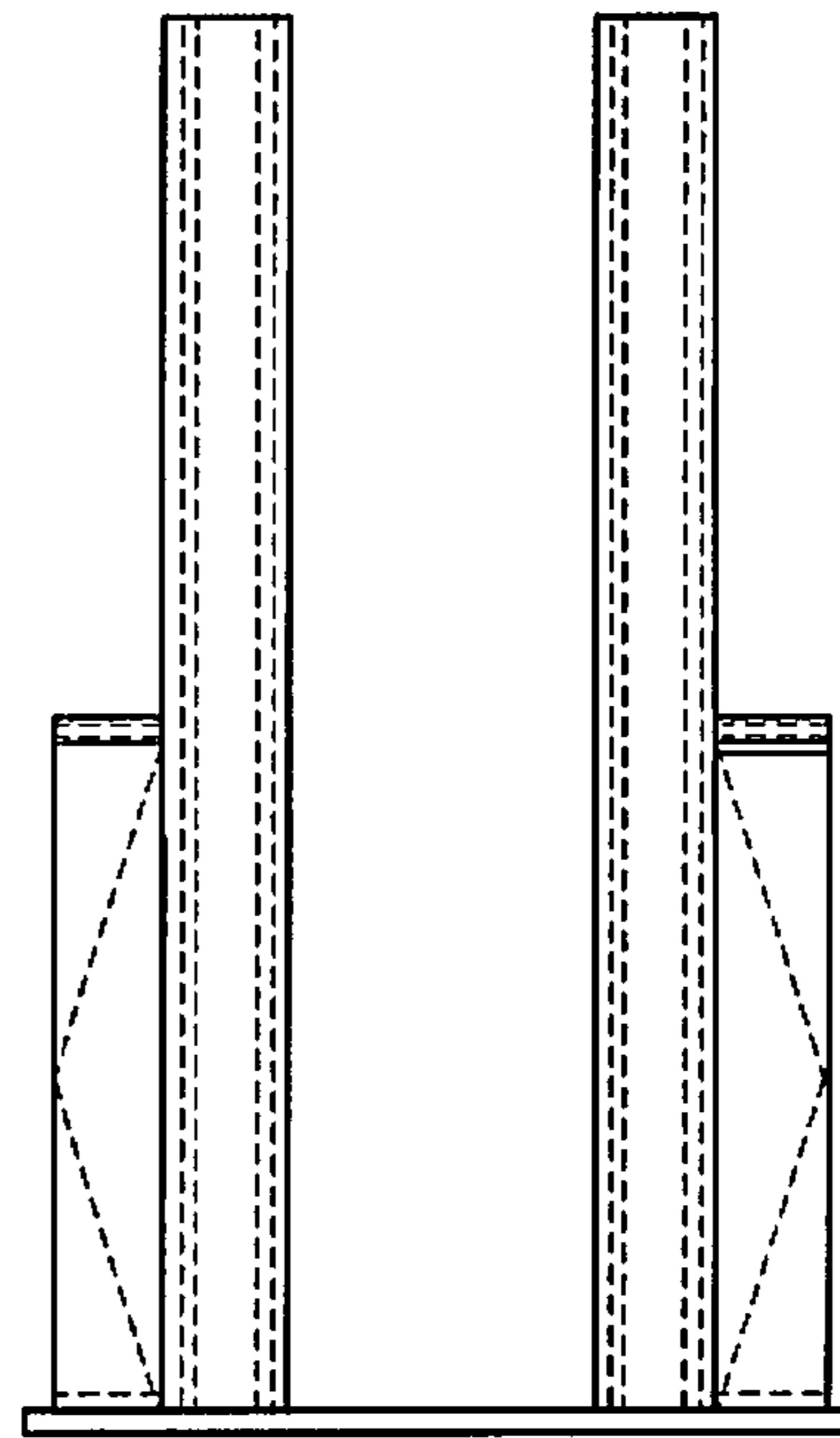


Fig 3

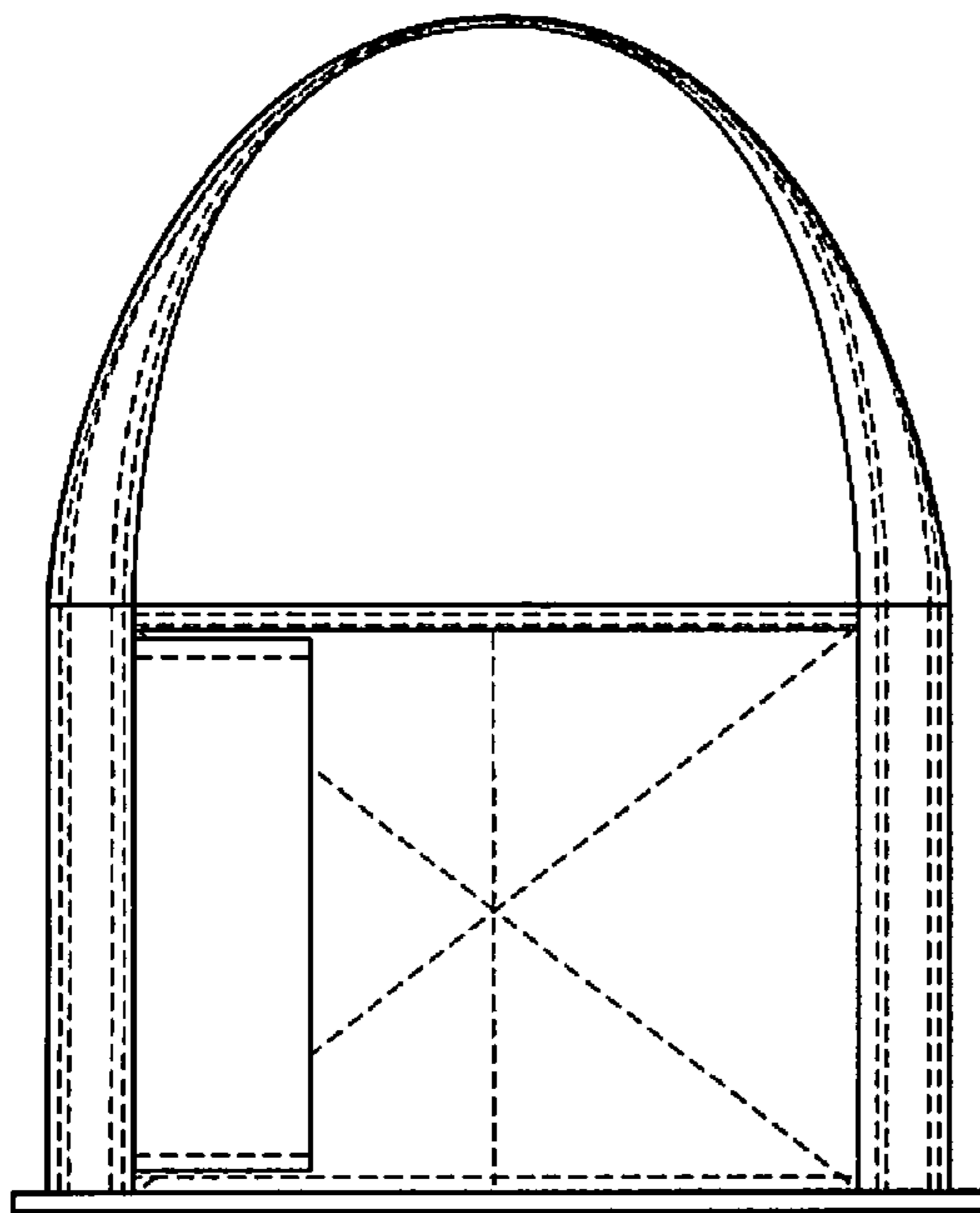


Fig 4

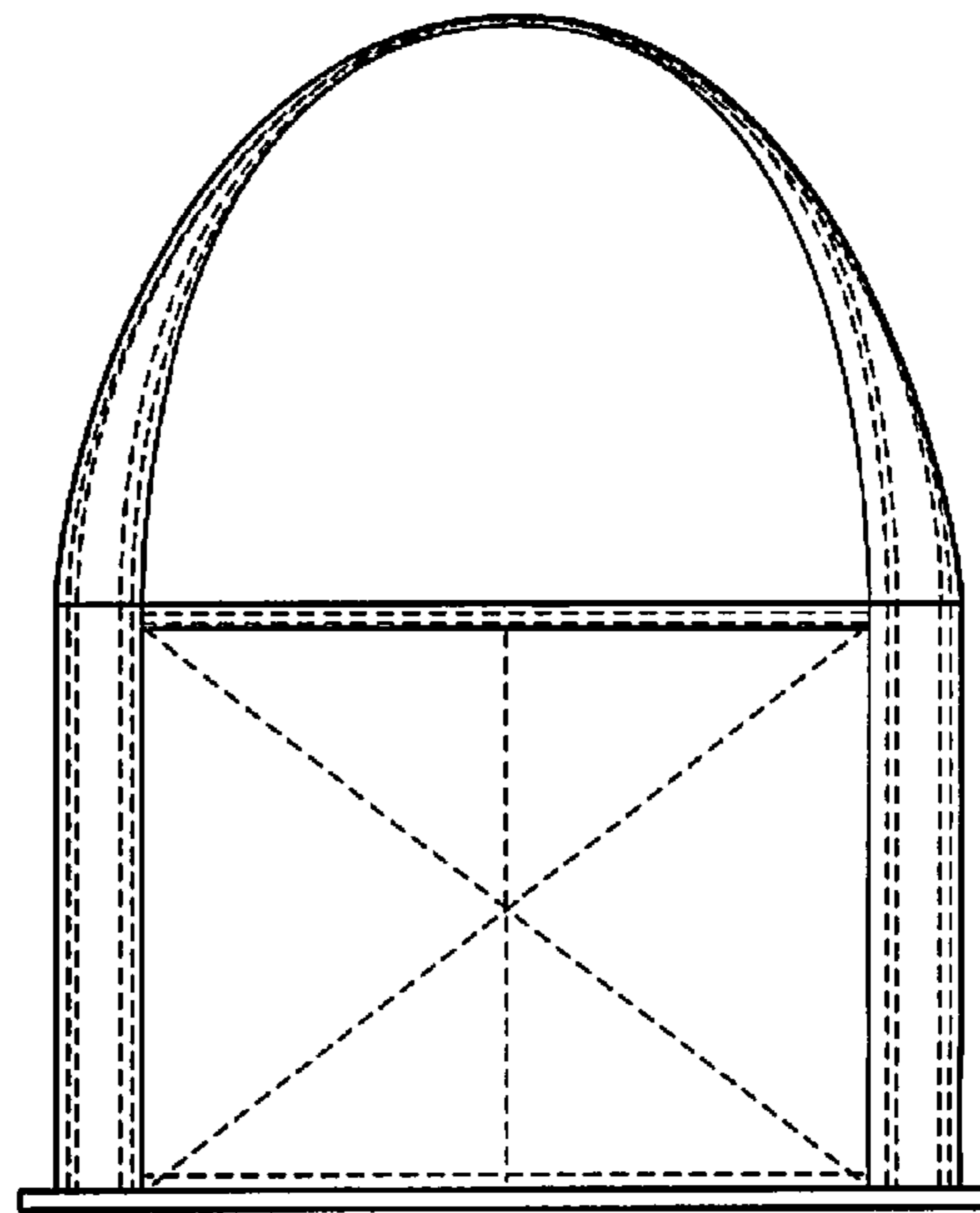


Fig 5

Fig 6

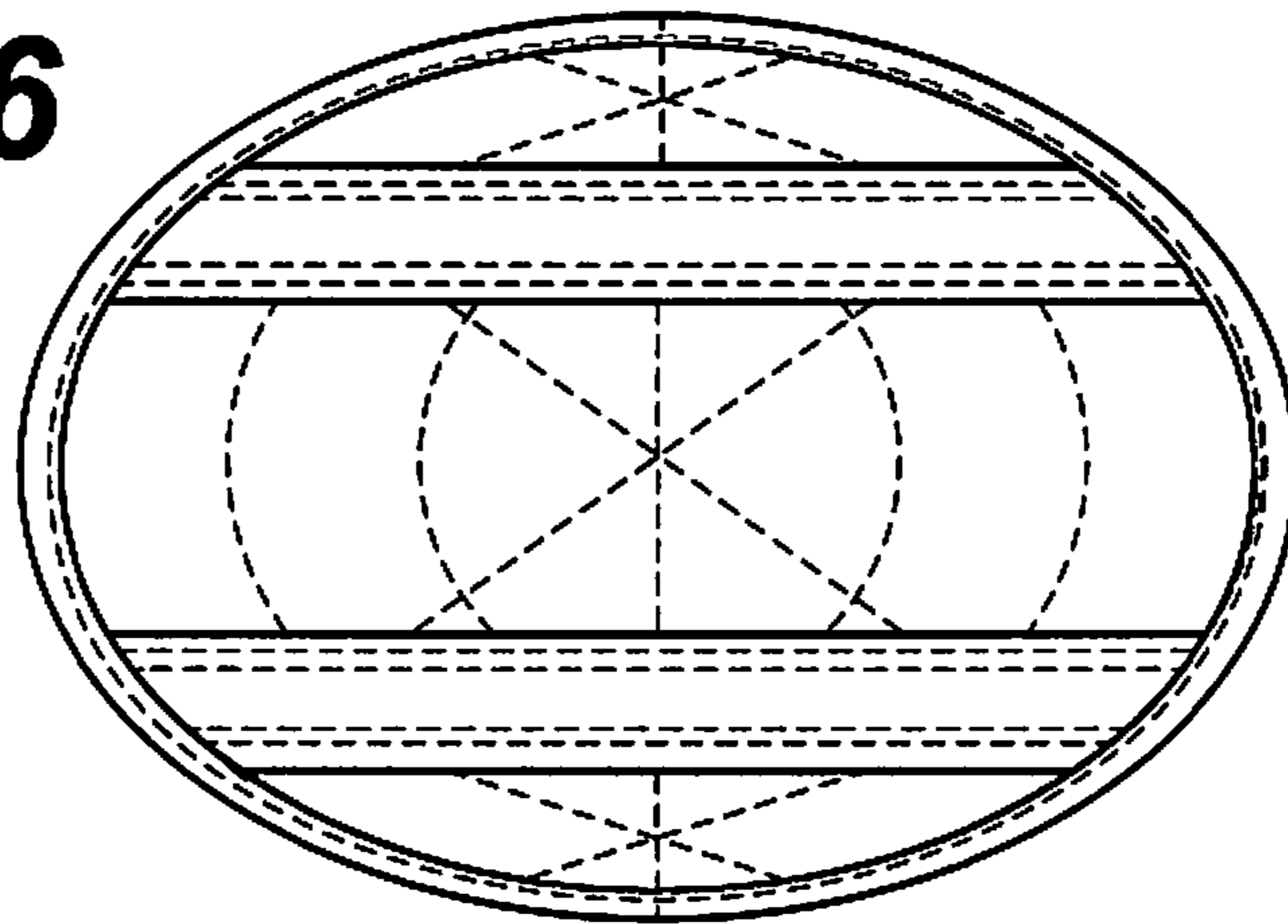
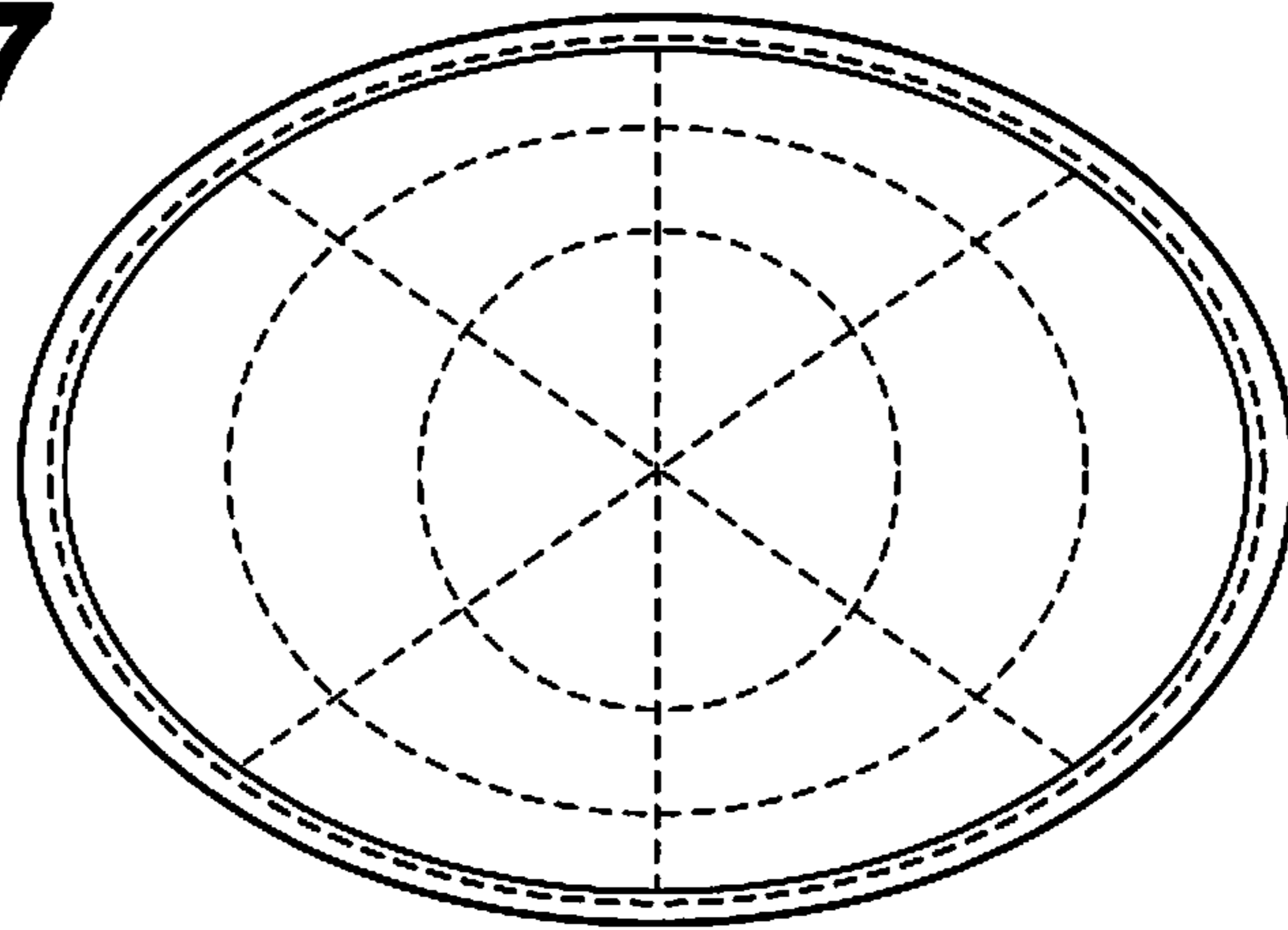


Fig 7



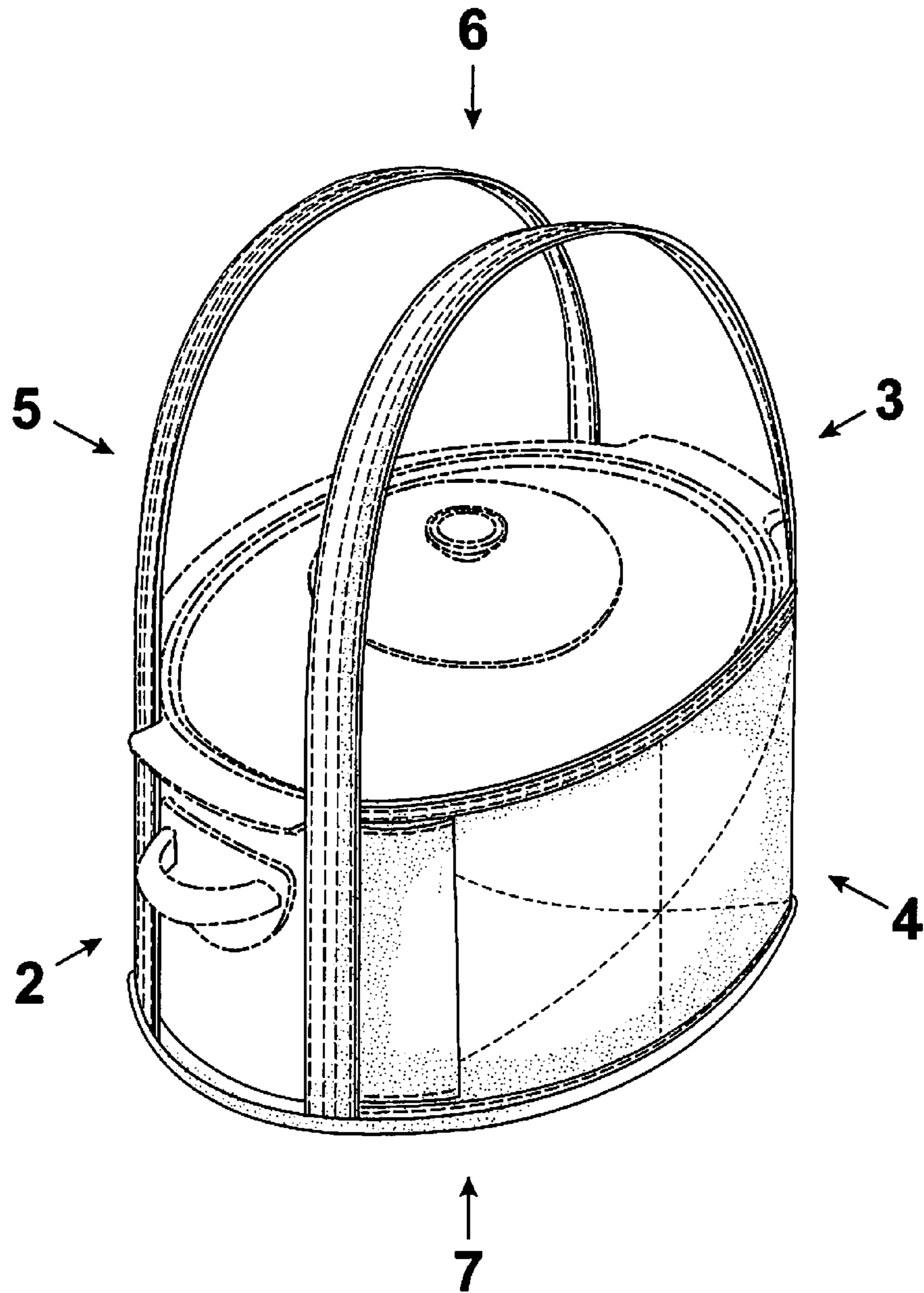


Fig 8