



US00D741656S

(12) **United States Design Patent**  
**Tello**

(10) **Patent No.:** **US D741,656 S**  
(45) **Date of Patent:** **\*\* Oct. 27, 2015**

(54) **BOTTLE**

CPC ..... A47G 19/22; A45F 3/16; B65D 1/0223;  
B65D 1/02; B65D 1/00  
See application file for complete search history.

(71) Applicant: **Ricardo A. Tello**, Santa Fe Springs, CA  
(US)

(72) Inventor: **Ricardo A. Tello**, Santa Fe Springs, CA  
(US)

(73) Assignee: **Sun Coast Merchandise Corp.**,  
Commerce, CA (US)

(\*\*) Term: **14 Years**

(21) Appl. No.: **29/488,957**

(22) Filed: **Apr. 24, 2014**

**Related U.S. Application Data**

(63) Continuation of application No. 13/068,871, filed on  
Jan. 9, 2009, now abandoned, and a continuation of  
application No. 13/068,872, filed on Jan. 13, 2009,  
now abandoned.

(51) **LOC (10) Cl.** ..... **07-01**

(52) **U.S. Cl.**  
USPC ..... **D7/510**; D7/511; D9/571; D9/572

(58) **Field of Classification Search**  
USPC ..... D7/509, 510, 511, 529, 300, 602, 619.1,  
D7/624.3, 391, 392, 392.1, 608, 513, 523,  
D7/507; D9/500, 501-505, 530, 539,  
D9/540-542, 545, 560, 562, 552, 565, 566,  
D9/567, 572, 573, 574, 435, 436, 439, 438,  
D9/440, 444, 434, 546, 557, 529, 518, 449,  
D9/516, 570, 551, 549, 571; D3/202;  
215/216, 379, 381, 382, 383, 384, 385;  
220/660, 669, 670, 703, 901, 662, 675;  
355/200, 245; D18/40, 43; D16/246;  
206/446, 474; D28/82, 88; D24/194,  
D24/197

(56) **References Cited**

**U.S. PATENT DOCUMENTS**

D284,942 S *	8/1986	Dinand .....	D9/542
D360,134 S *	7/1995	Snyder .....	D9/520
D361,265 S *	8/1995	Doxey .....	D9/435
D455,655 S *	4/2002	Bunce .....	D9/521
D505,079 S *	5/2005	Mulder et al. ....	D9/542
D529,338 S *	10/2006	Poulson et al. ....	D7/510
D561,033 S *	2/2008	Pritchett et al. ....	D9/530
D613,173 S *	4/2010	Bansal .....	D9/529
D692,306 S *	10/2013	Lee et al. ....	D9/541
D726,545 S *	4/2015	Kuzma et al. ....	D9/539
D727,160 S *	4/2015	Kuzma et al. ....	D9/539

\* cited by examiner

*Primary Examiner* — Marianne Pandozzi

*Assistant Examiner* — Jae Liang

(74) *Attorney, Agent, or Firm* — Steven E. Shapiro

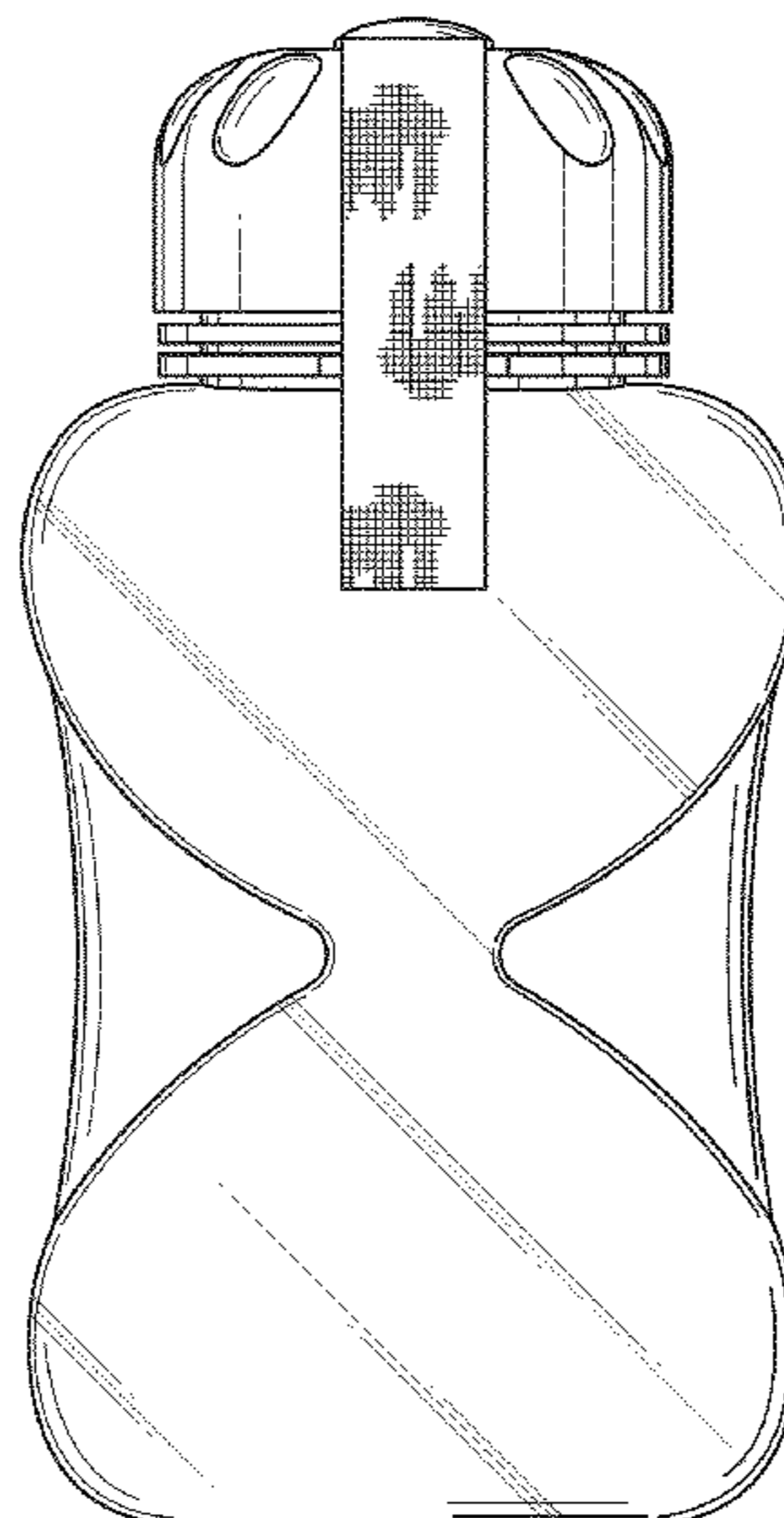
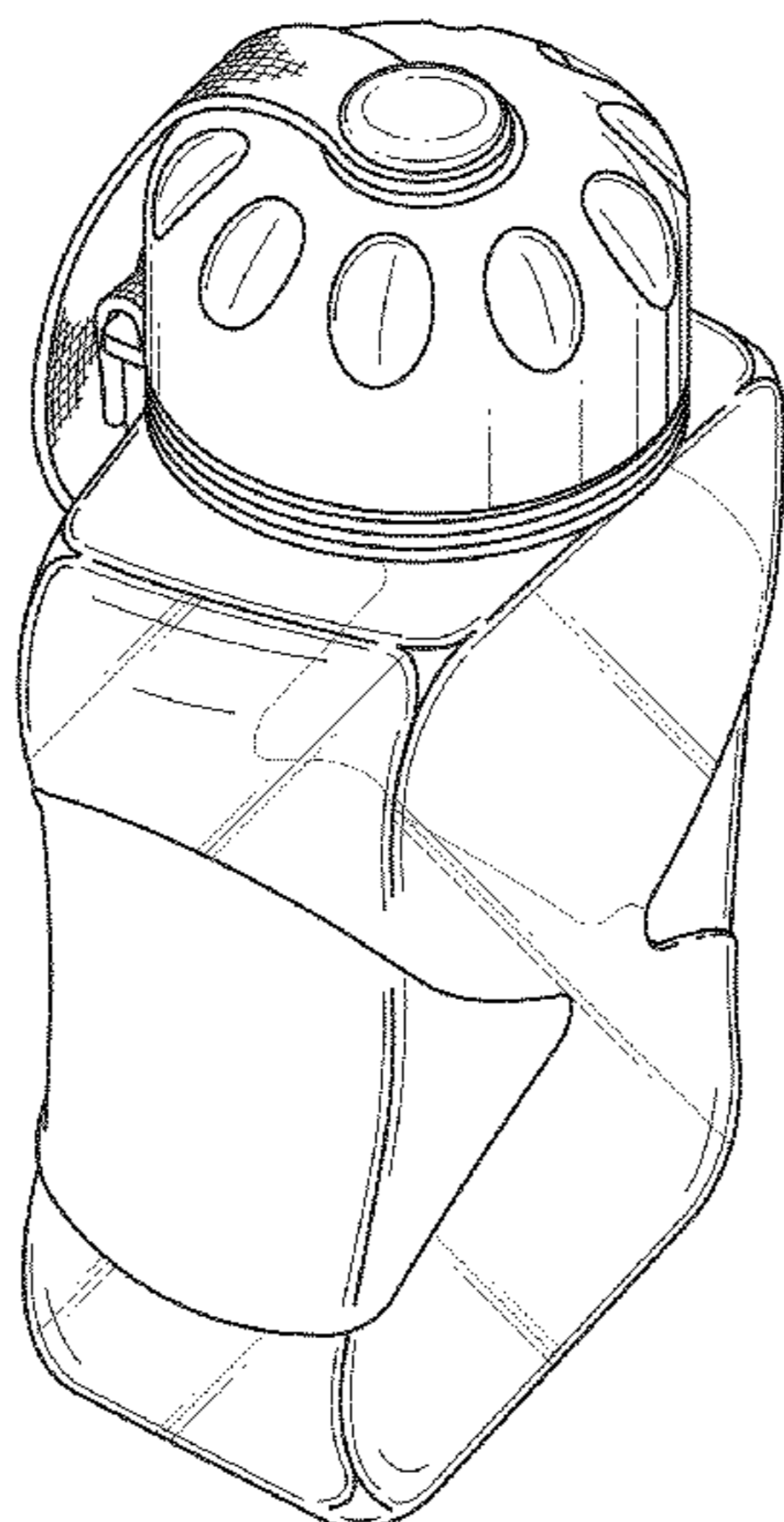
(57) **CLAIM**

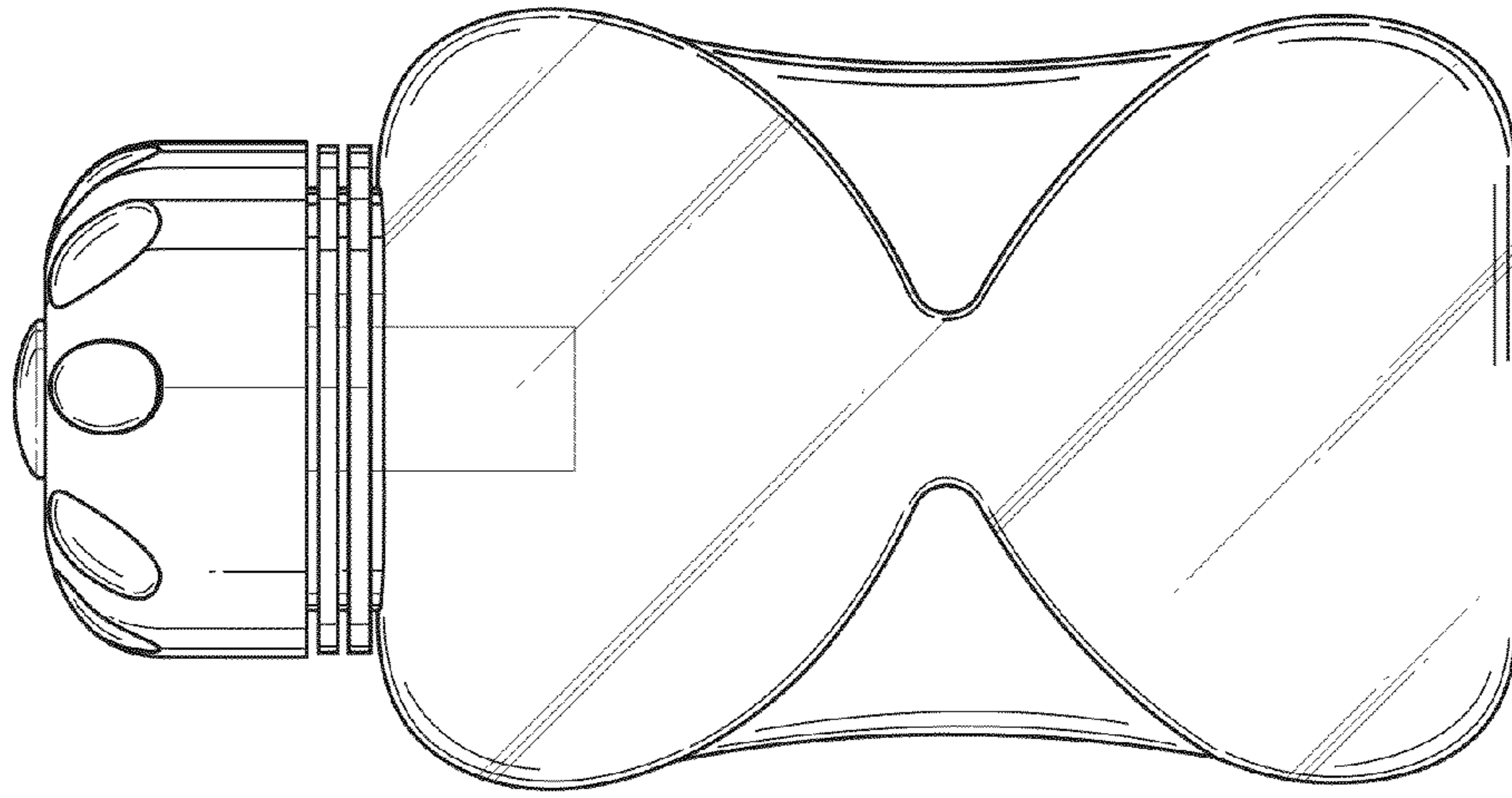
The ornamental design for a bottle, as shown and described.

**DESCRIPTION**

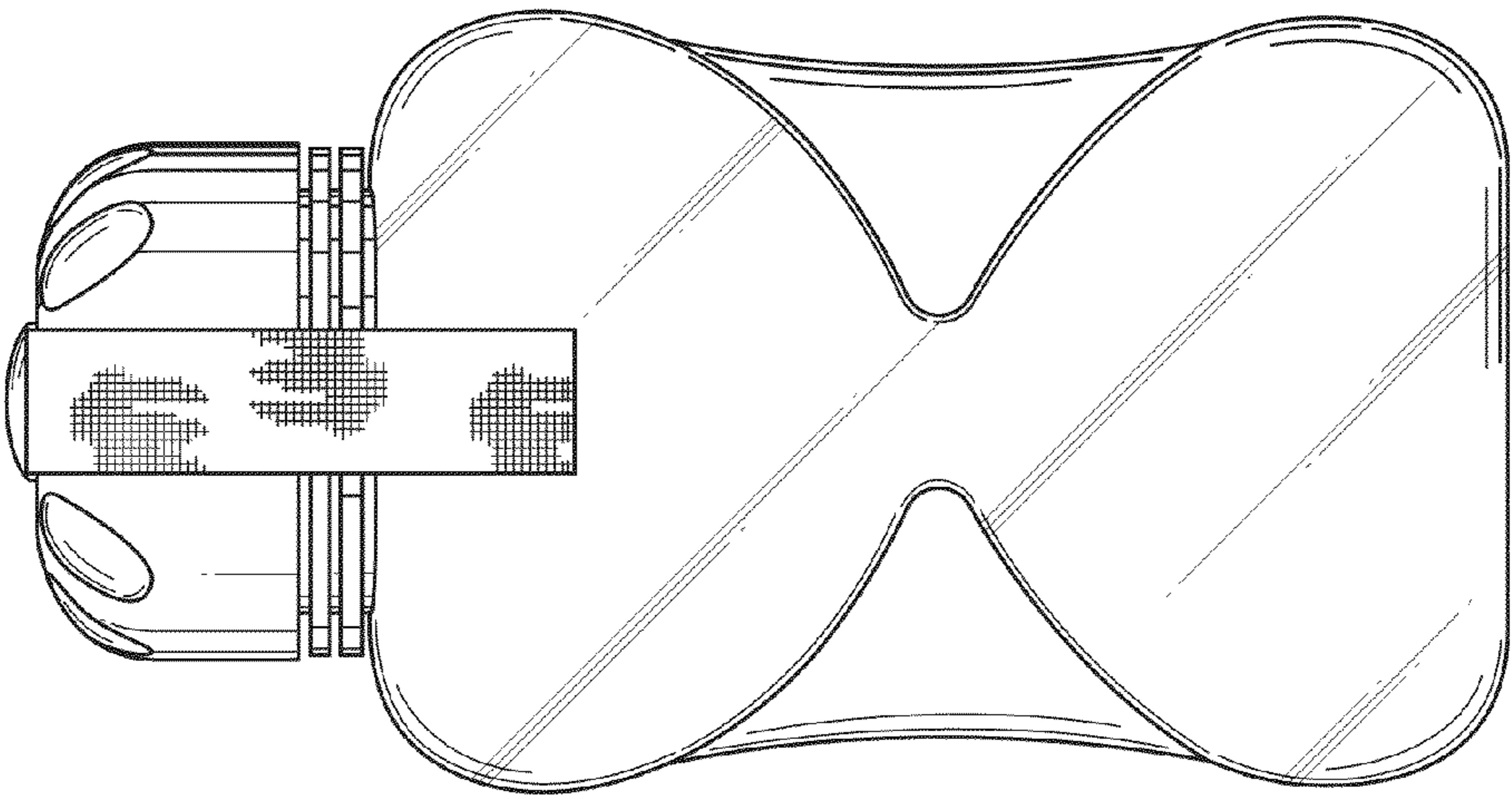
FIG. 1 is a perspective view of a bottle showing my new design;  
FIG. 2 is a rear view of the bottle;  
FIG. 3 is a front view of the bottle;  
FIG. 4 is a left side view of the bottle;  
FIG. 5 is a right side view of the bottle;  
FIG. 6 is a top view of the bottle; and,  
FIG. 7 is a bottom view of the bottle.

**1 Claim, 2 Drawing Sheets**

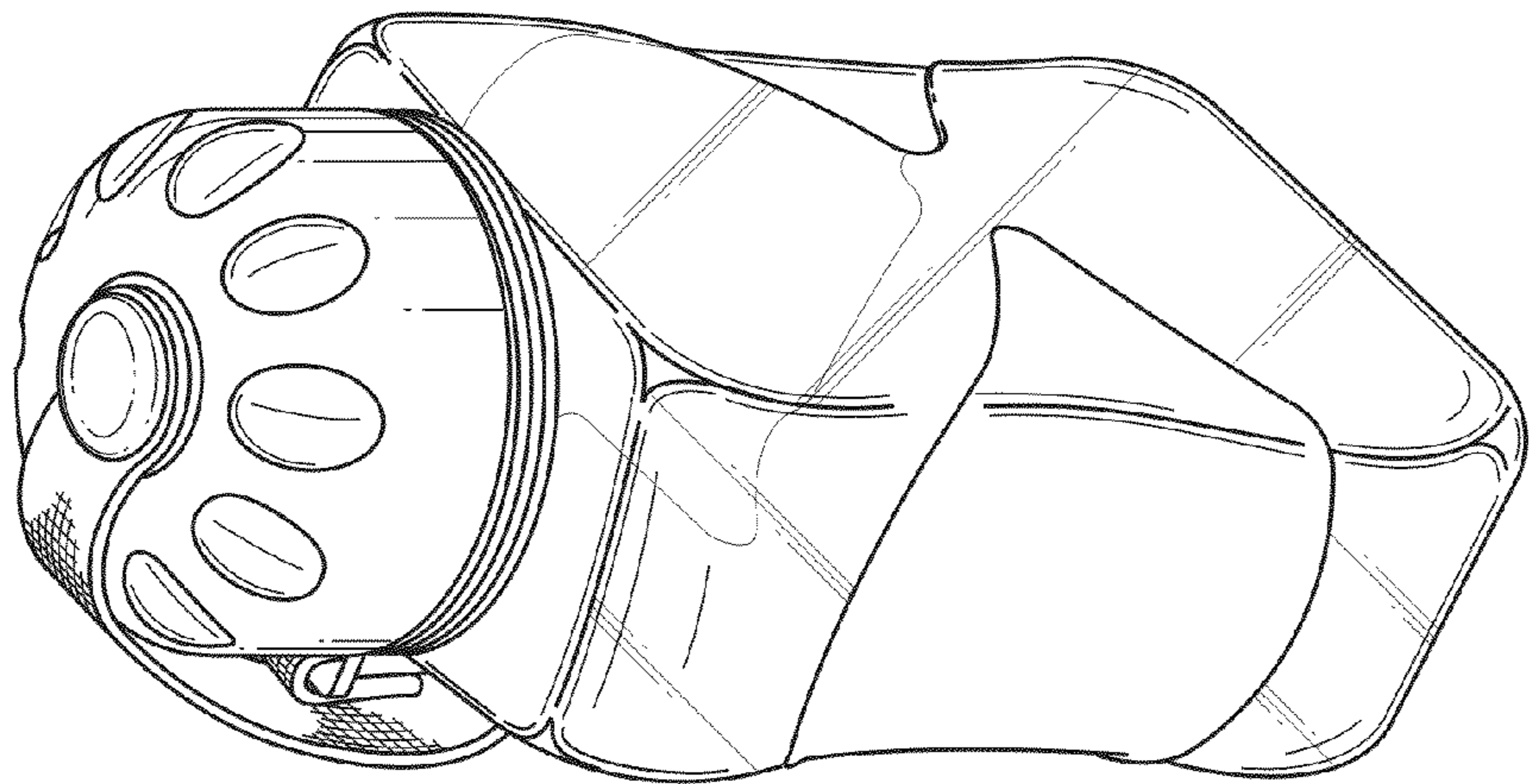




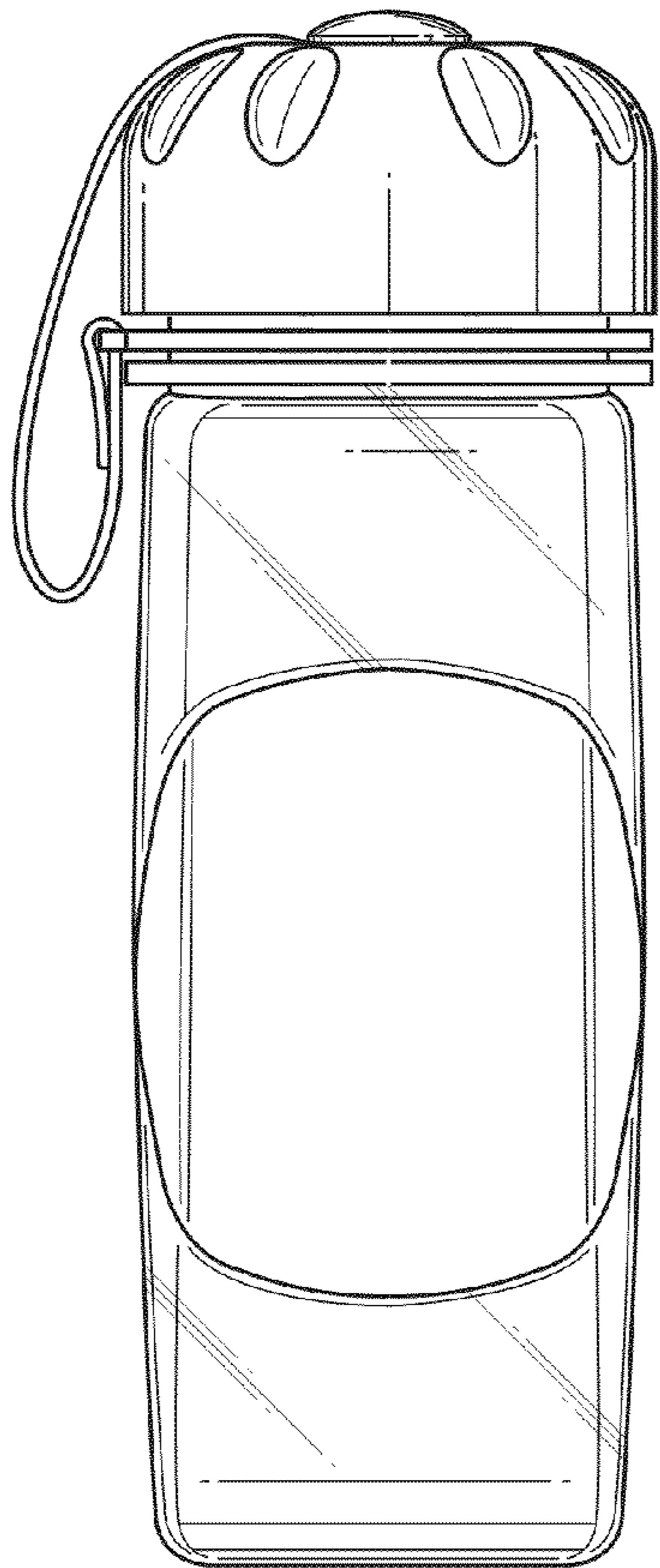
*Fig. 3*



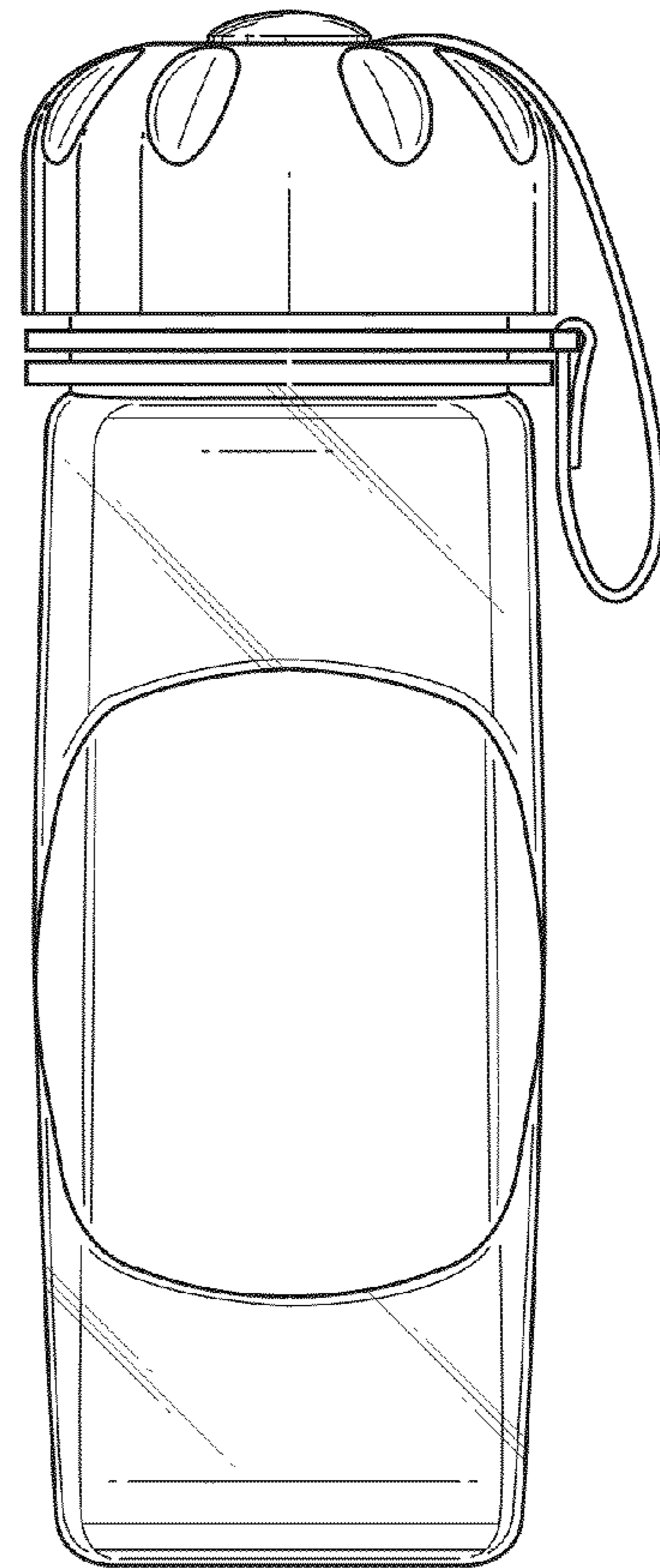
*Fig. 2*



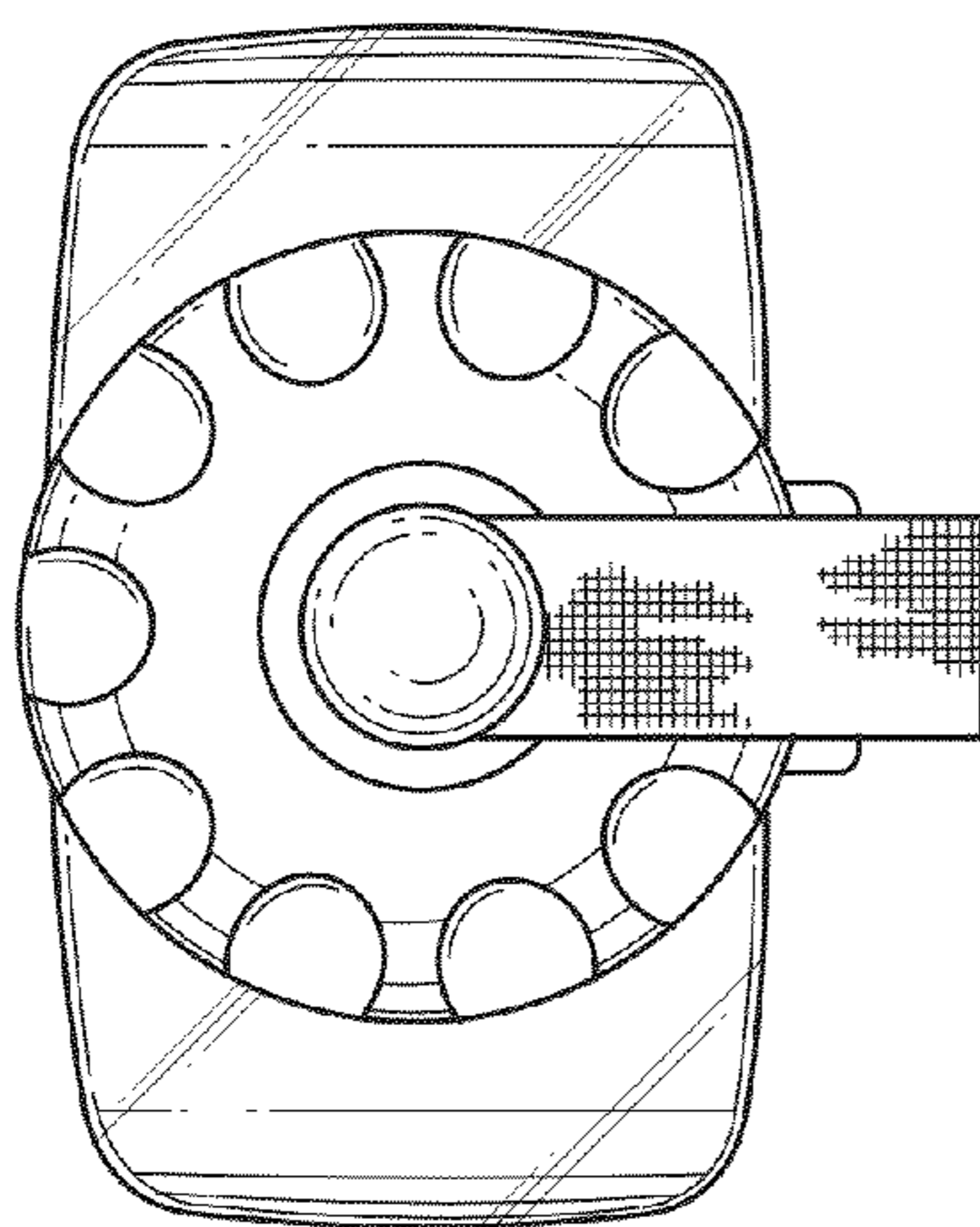
*Fig. 1*



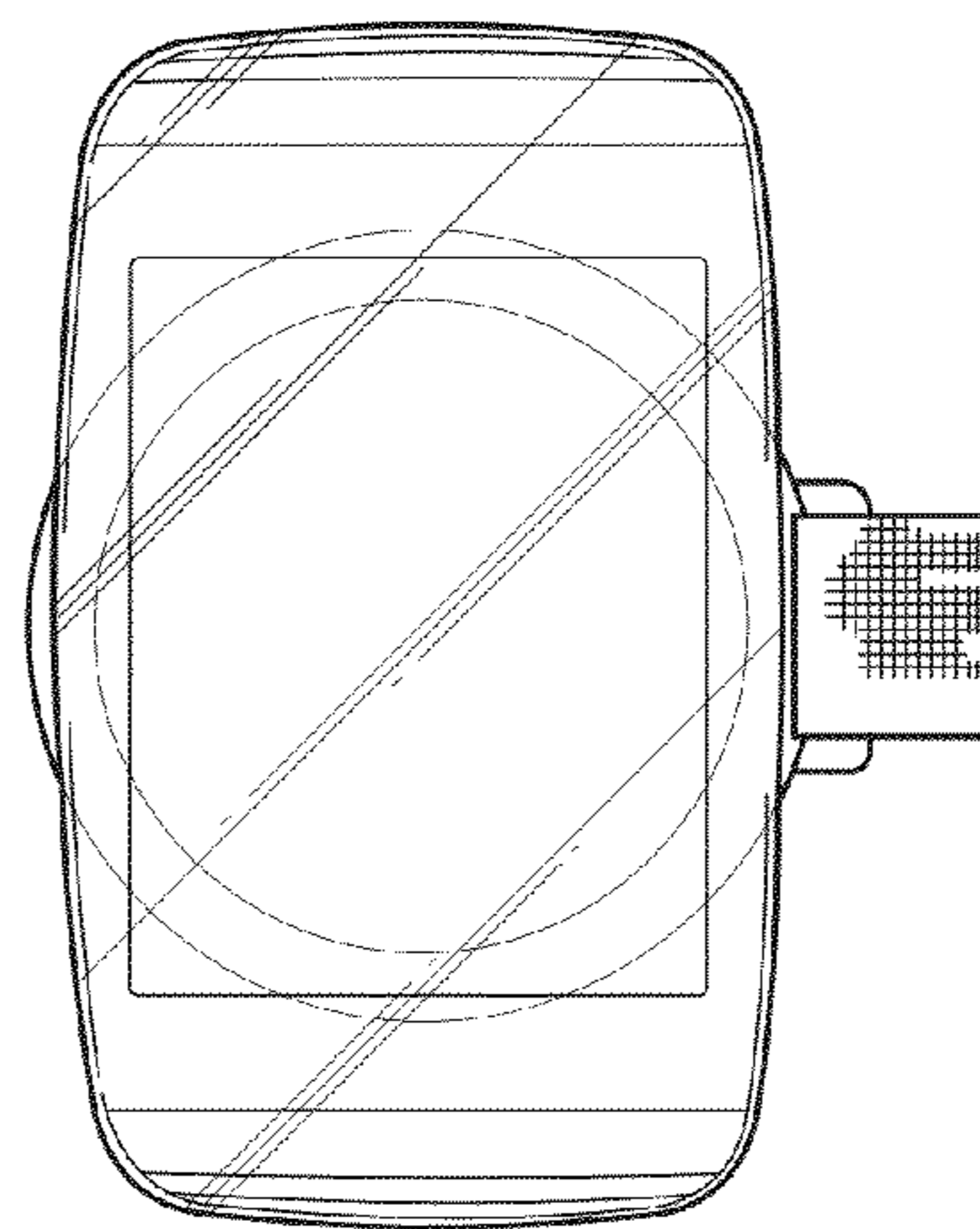
*Fig. 4*



*Fig. 5*



*Fig. 6*



*Fig. 7*