



US00D741654S

(12) **United States Design Patent**
Webb

(10) **Patent No.:** **US D741,654 S**

(45) **Date of Patent:** **** Oct. 27, 2015**

(54) **TACO HOLDER**

(71) Applicant: **Kevin Webb**, St. Petersburg, FL (US)

(72) Inventor: **Kevin Webb**, St. Petersburg, FL (US)

(**) Term: **14 Years**

(21) Appl. No.: **29/484,110**

(22) Filed: **Mar. 6, 2014**

(51) **LOC (10) Cl.** **07-01**

(52) **U.S. Cl.**
USPC **D7/504**

(58) **Field of Classification Search**
USPC D7/504, 601, 637-641; 211/85.4, 73;
206/564, 565, 45.24; 248/152, 174,
248/176.1; 229/902, 904, 938, 87.08
CPC A47G 19/30; A47G 2019/306; A47G
21/001; A47F 7/0028
See application file for complete search history.

(56) **References Cited**

U.S. PATENT DOCUMENTS

- 4,671,404 A * 6/1987 Wall A47G 21/001
206/45.24
- 4,925,032 A * 5/1990 Liles A47G 19/30

5,971,168 A * 10/1999 Proulx A47G 19/30
211/73

7,097,039 B2 8/2006 Muis et al.

* cited by examiner

Primary Examiner — Terry Wallace

(74) *Attorney, Agent, or Firm* — Larson & Larson, P.A.;
Justin P. Miller; Patrick A. Reid

(57) **CLAIM**

I claim the ornamental design for a taco holder, as shown and described.

DESCRIPTION

FIG. 1 is a perspective view of the taco holder showing my new design;

FIG. 2 is a front elevation view thereof;

FIG. 3 is a back elevation view thereof;

FIG. 4 is a top plan view thereof;

FIG. 5 is a bottom plan elevation thereof;

FIG. 6 is a right-side elevation view thereof;

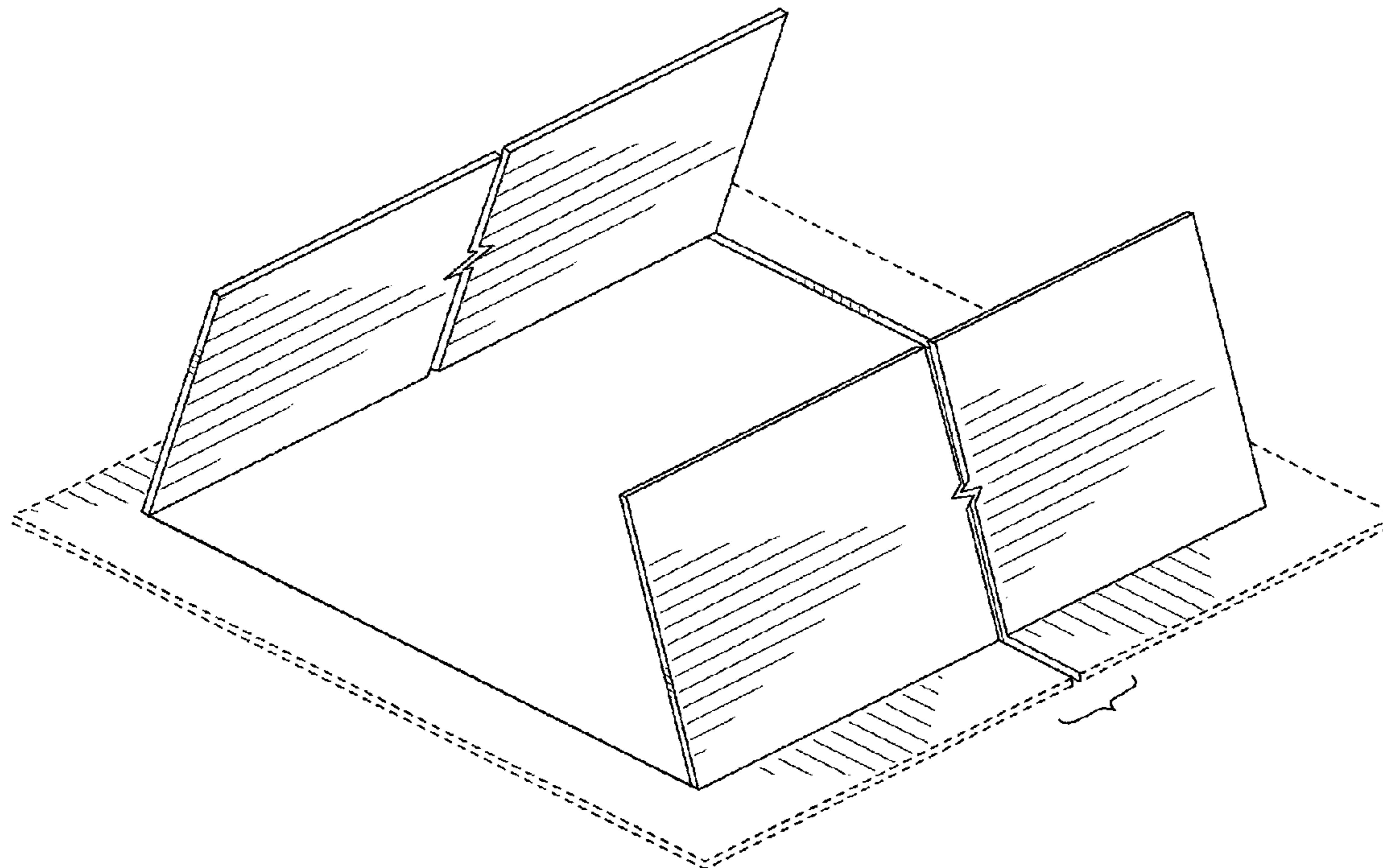
FIG. 7 is a left-side elevation view thereof; and,

FIG. 8 is a perspective view thereof.

The broken lines depicting a taco in FIG. 8 are for illustrative purposes only and form no part of the claimed design.

The separation and bracket in FIGS. 1, 4, 5, 6, 7, and 8 indicate that the precise length of the taco holder does not form part of the claimed design.

1 Claim, 6 Drawing Sheets



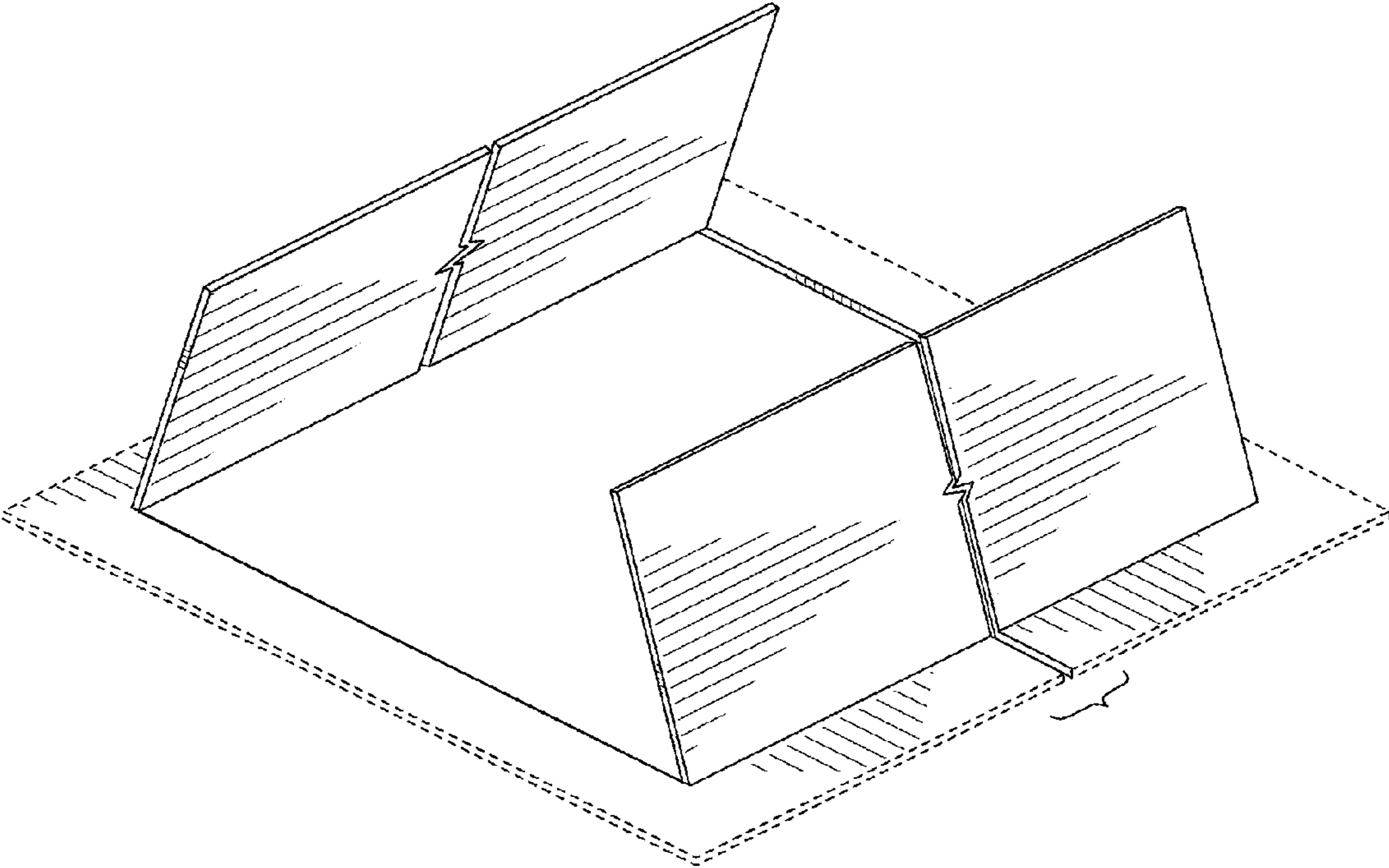


FIG. 1



FIG. 2



FIG. 3

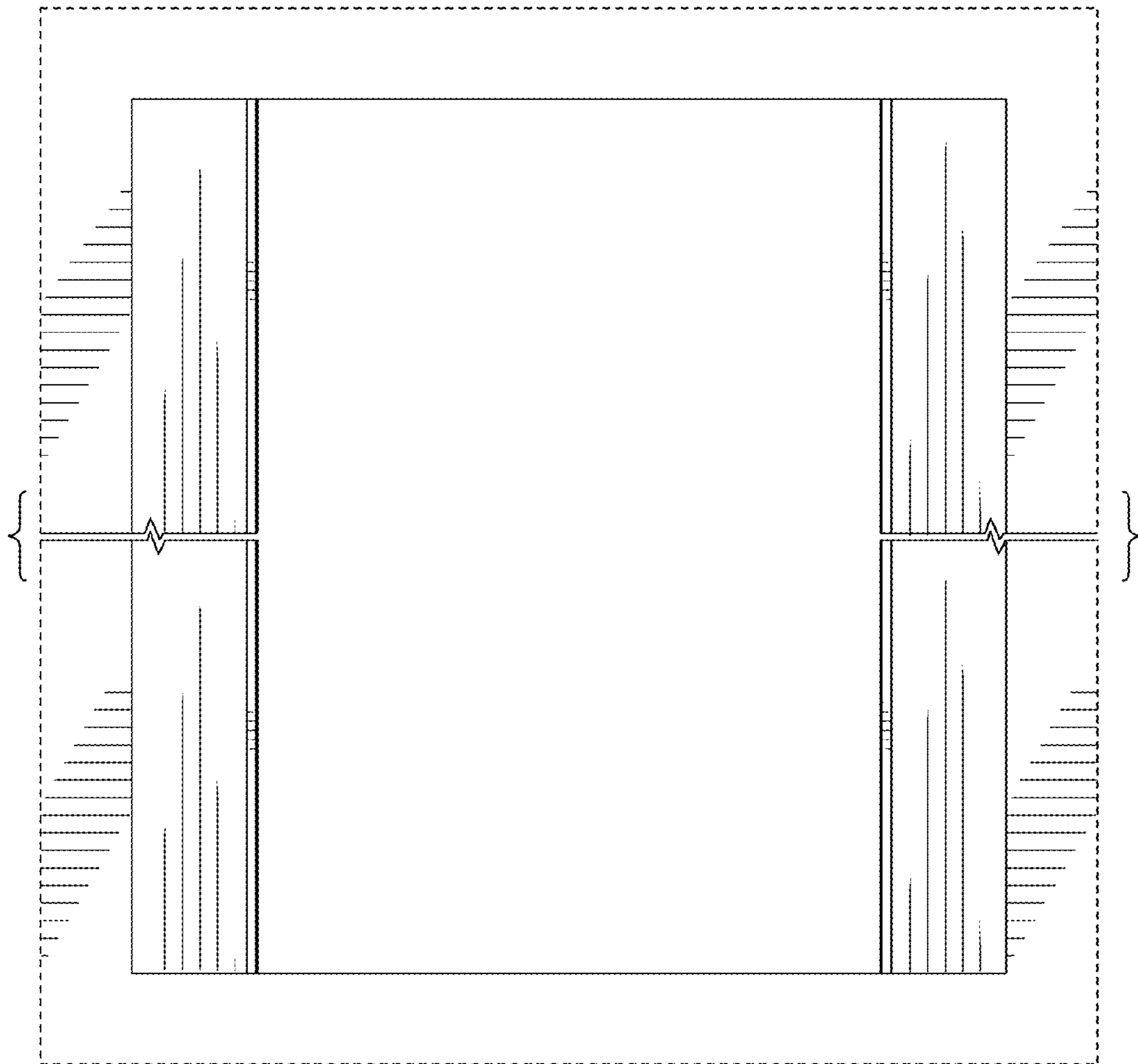


FIG. 4

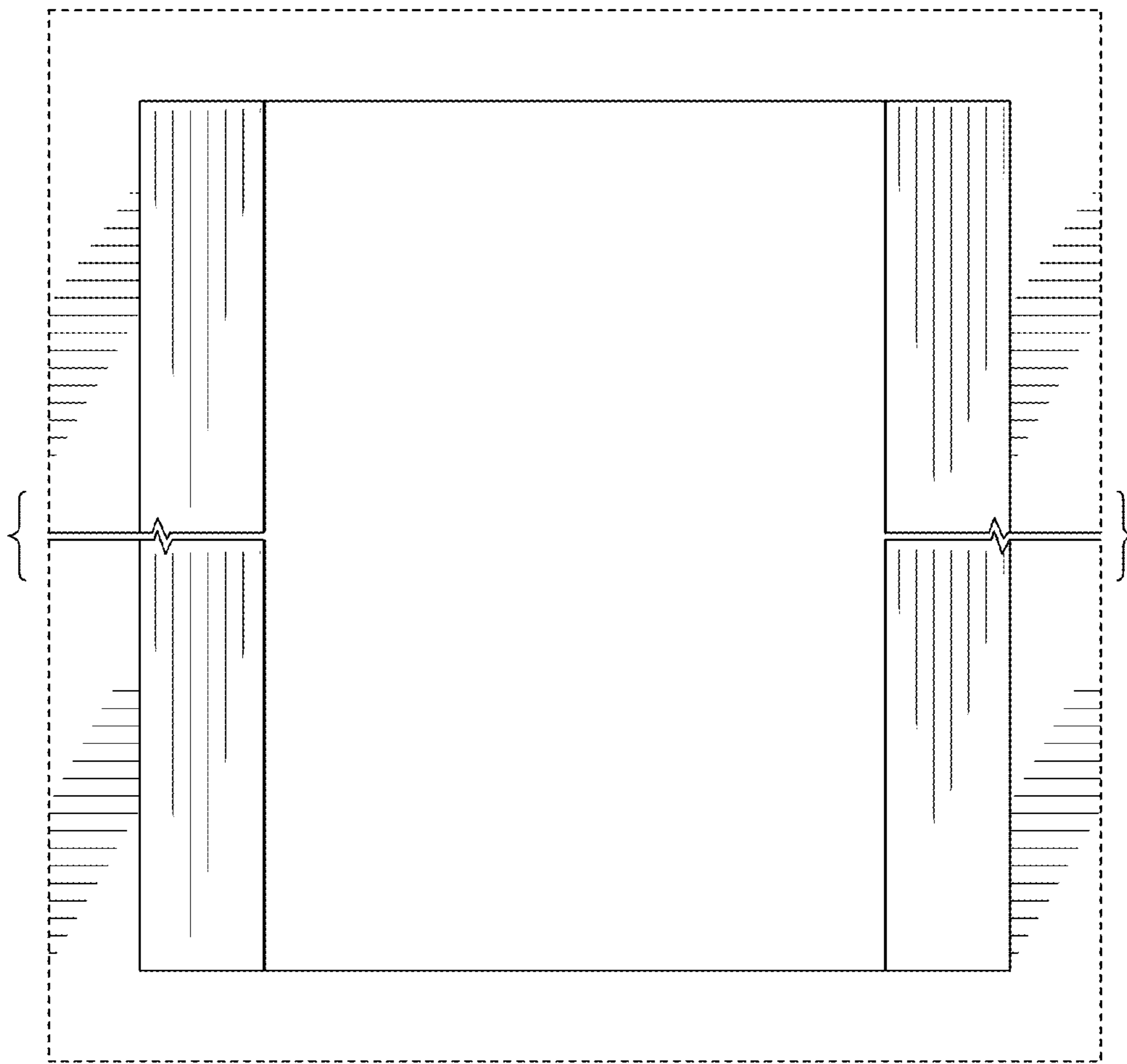


FIG. 5

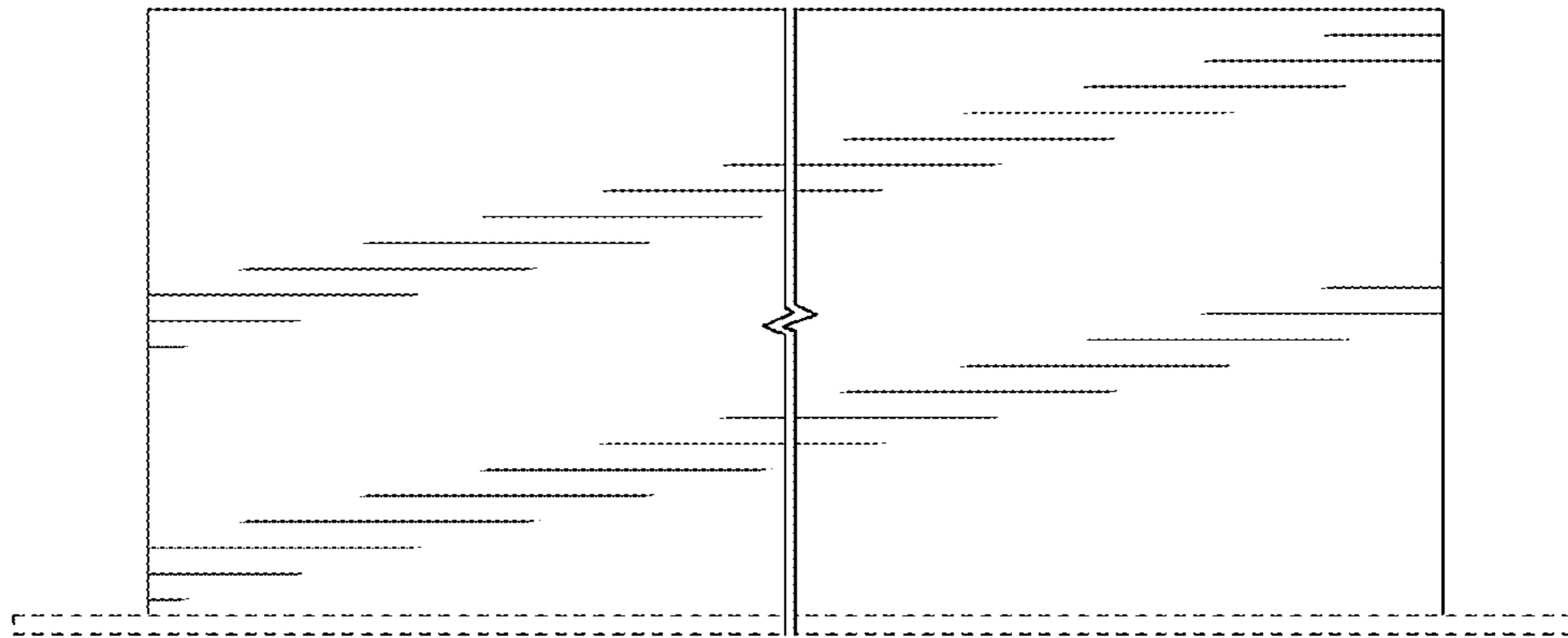


FIG. 6

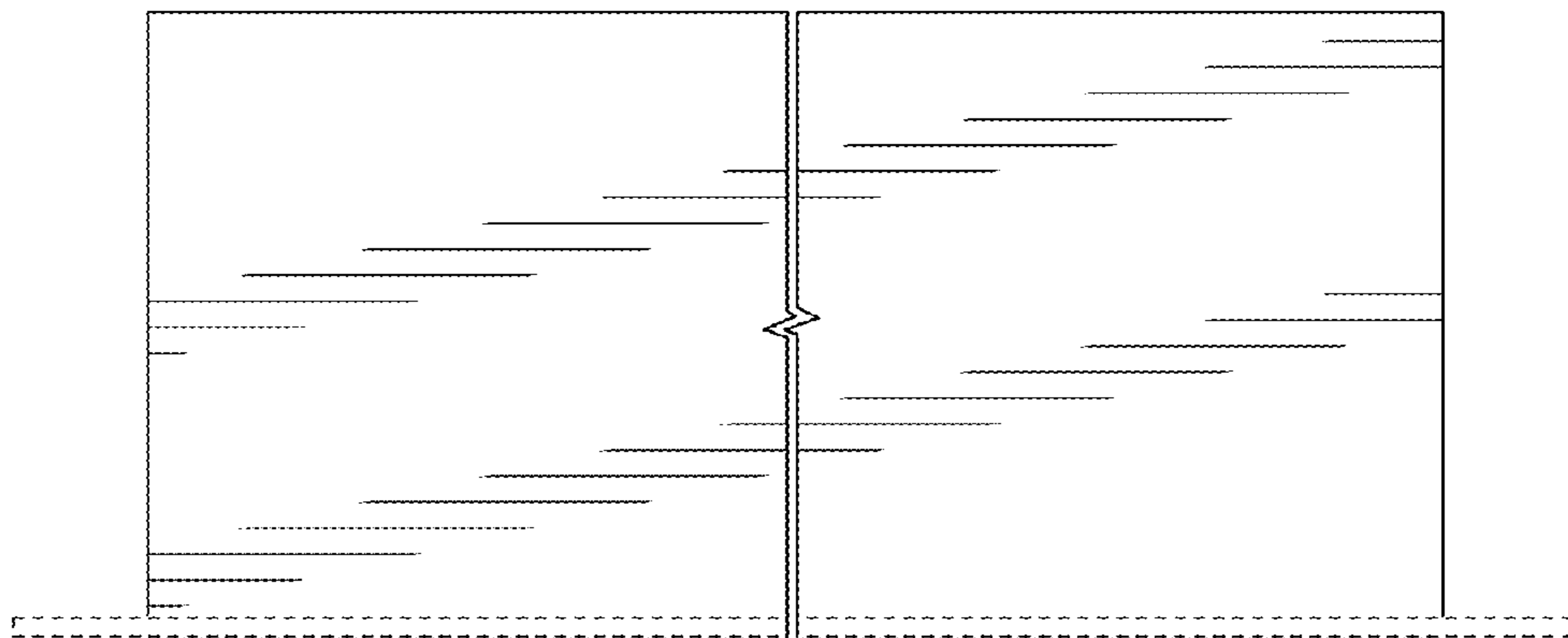


FIG. 7

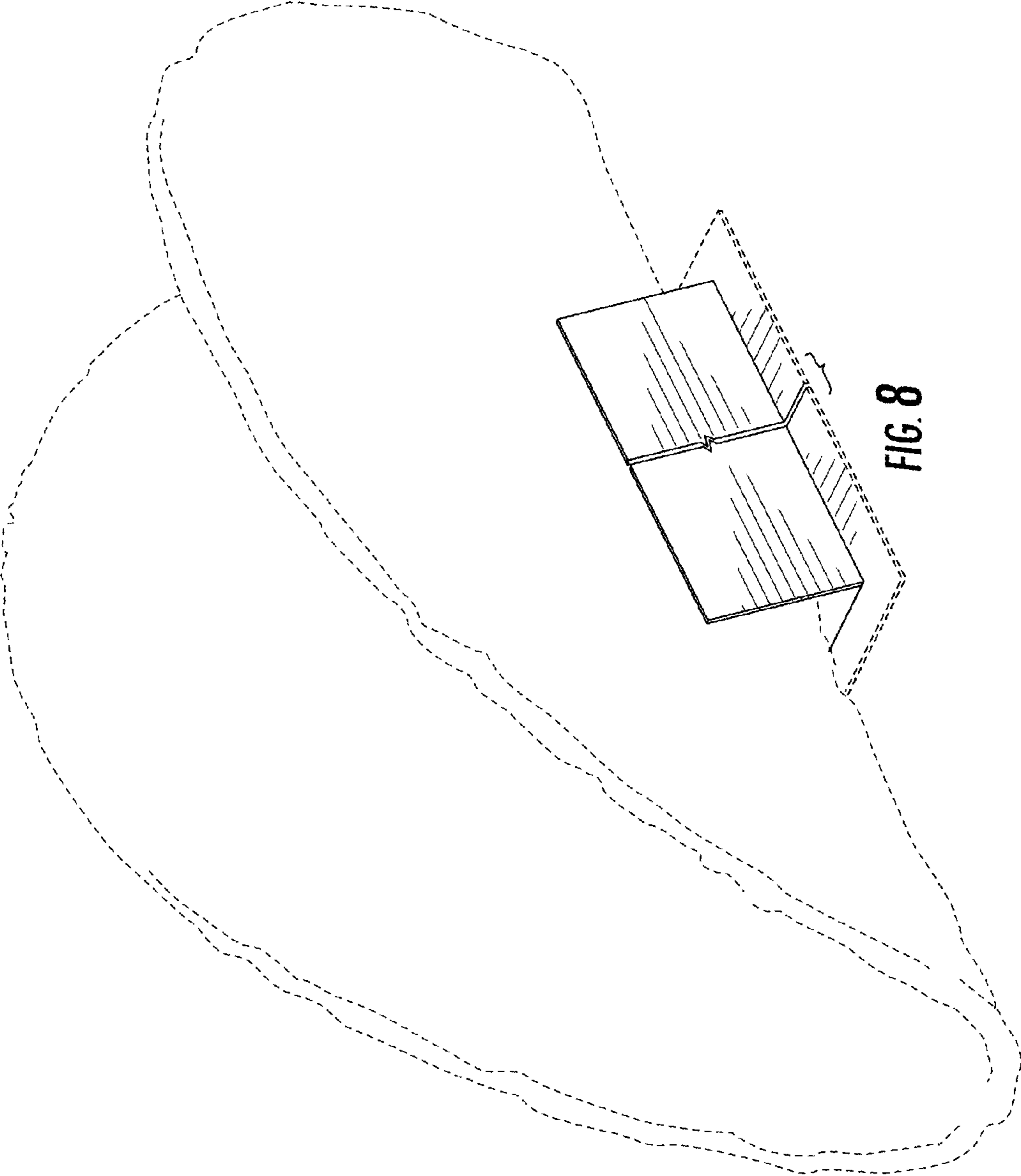


FIG. 8