



US00D741651S

(12) **United States Design Patent**
Marsh-Croft

(10) **Patent No.:** **US D741,651 S**

(45) **Date of Patent:** **** *Oct. 27, 2015**

(54) **WAFFLE MAKER**

(56) **References Cited**

(71) Applicant: **Breville Pty Limited**, Botany, NSW
(AU)

U.S. PATENT DOCUMENTS

(72) Inventor: **Ashley Marsh-Croft**, Rushcutters Bay
(AU)

D124,305 S *	12/1940	Christenson et al.	D7/352
D367,994 S *	3/1996	Bloom et al.	D7/352
D510,677 S *	10/2005	Steinberg et al.	D7/352
D527,941 S *	9/2006	Serra	D7/352
D546,619 S *	7/2007	McHutchison	D7/352
D568,090 S *	5/2008	Lam	D7/352
D580,699 S *	11/2008	Averty	D7/352
D589,294 S *	3/2009	Averty	D7/356
D622,538 S *	8/2010	Hoare et al.	D7/352
D644,477 S *	9/2011	Burton et al.	D7/362
D670,954 S *	11/2012	Huber et al.	D7/352
D679,129 S *	4/2013	Cesaroni et al.	D7/352
D715,086 S *	10/2014	Piret	D7/352

(73) Assignee: **Breville Pty Limited**, Alexandria NSW
(AU)

(*) Notice: This patent is subject to a terminal disclaimer.

(**) Term: **14 Years**

* cited by examiner

(21) Appl. No.: **29/478,829**

Primary Examiner — Ricky Pham

(22) Filed: **Jan. 9, 2014**

(74) *Attorney, Agent, or Firm* — Molins & Co Pty Ltd

(30) **Foreign Application Priority Data**

Aug. 15, 2013 (AU) 201314033

(51) **LOC (10) Cl.** **07-02**

(52) **U.S. Cl.**
USPC **D7/410; D7/352; D7/362**

(58) **Field of Classification Search**
USPC D7/323, 328–330, 337, 347, 352–364,
D7/367, 402, 409–411; 99/324–326, 331,
99/339, 349, 356–357, 372–379,
99/444–446; 219/386, 450.1, 472,
219/524–525, 620–622, 732–734
CPC A21B 5/023; A47J 27/60; A47J 27/62;
A47J 37/04; A47J 37/06; A47J 37/067;
A47J 37/0605; A47J 37/0611; A47J 37/0623;
A47J 37/0629; A47J 37/0676; A47J 2037/06;
A47J 2037/0611; F24C 15/10; F24C 15/102;
H05B 6/02; H05B 6/062

See application file for complete search history.

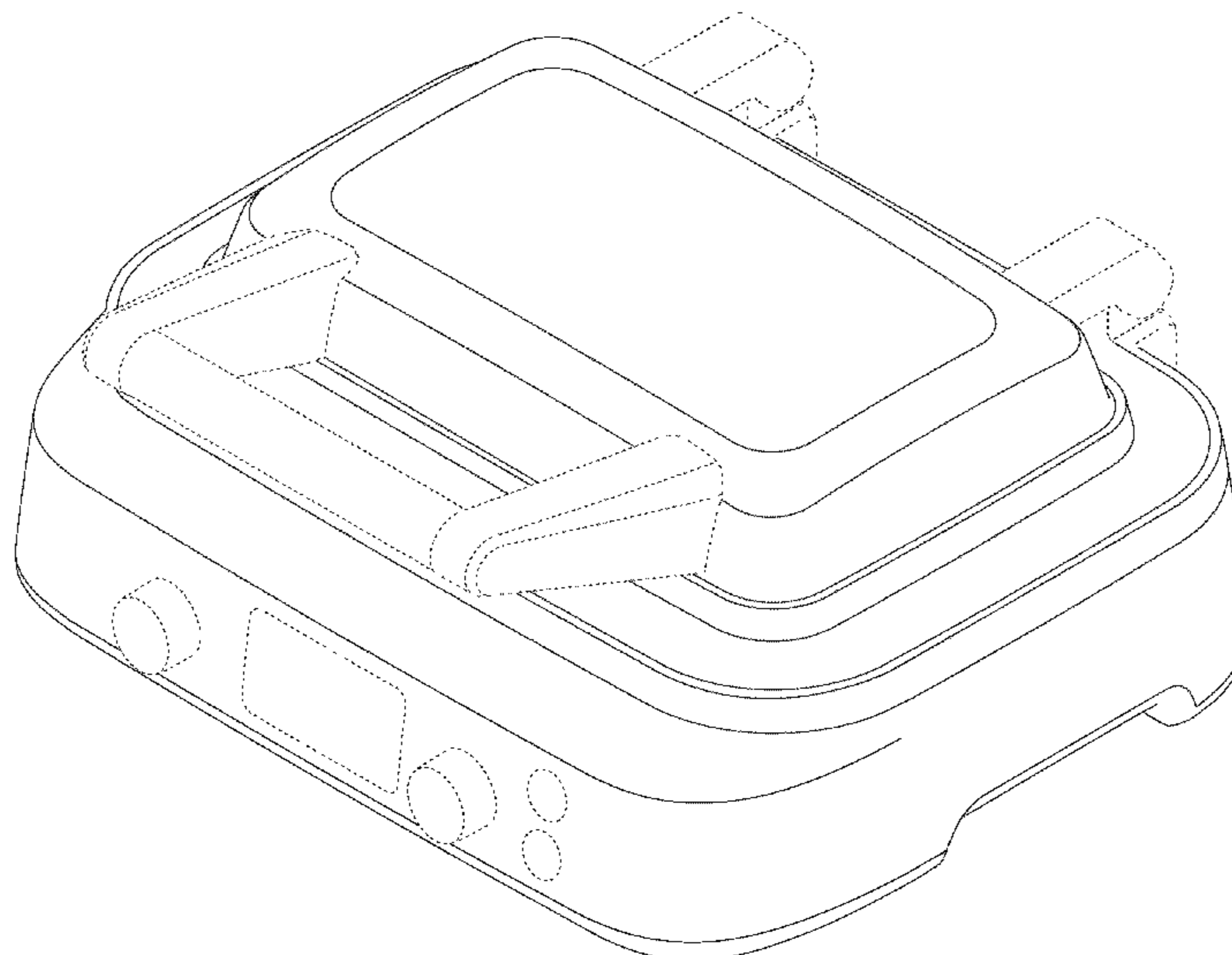
(57) **CLAIM**

The ornamental design for a waffle maker, as shown and described.

DESCRIPTION

FIG. 1 is a front perspective view of a waffle maker showing my new design;
FIG. 2 is a top view thereof;
FIG. 3 is a back view thereof;
FIG. 4 is a right side view thereof;
FIG. 5 is a front view thereof; and,
FIG. 6 is a bottom view thereof.
The broken lines shown in the drawings are for illustrative purposes only and form no part of the claimed design.

1 Claim, 6 Drawing Sheets



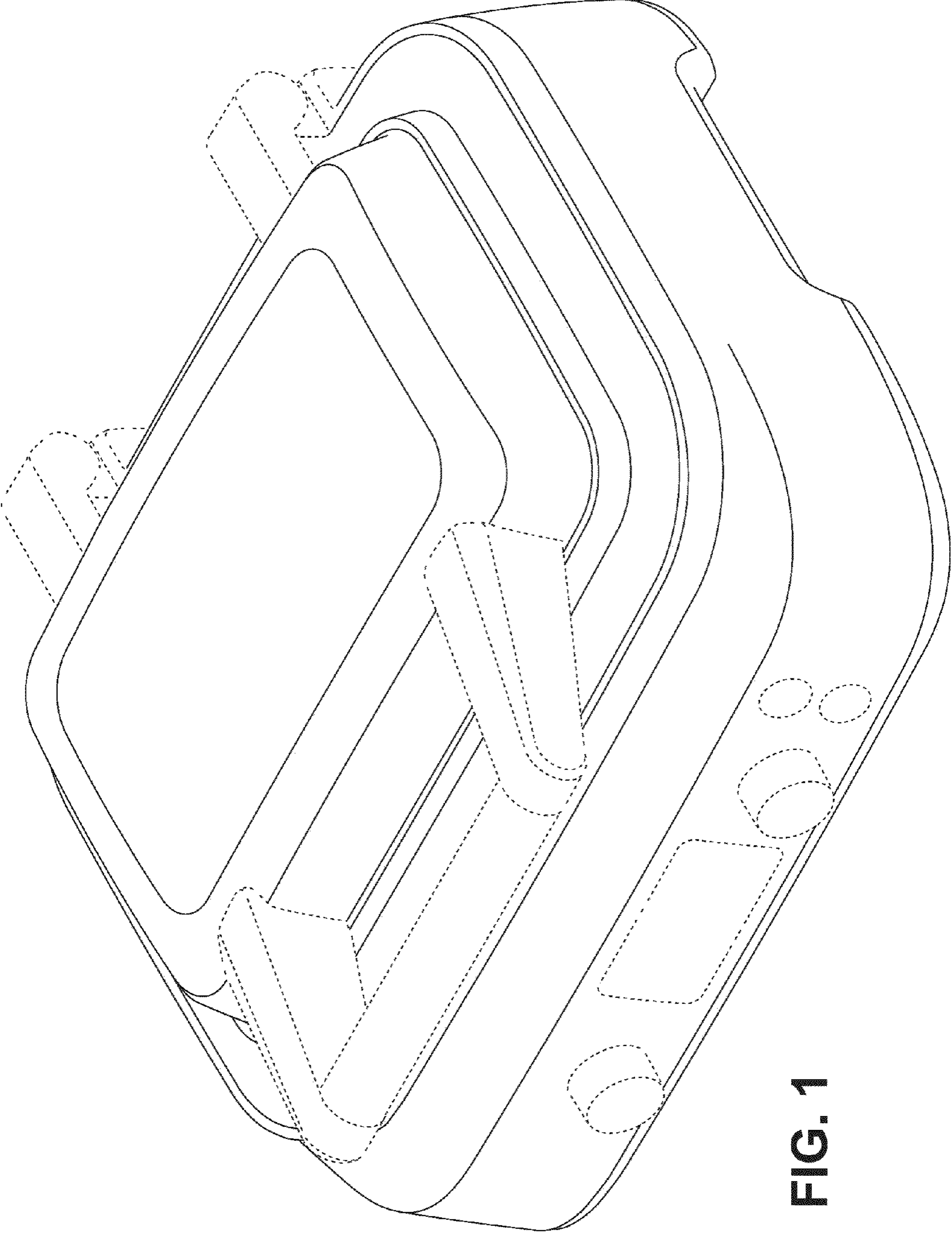


FIG. 1

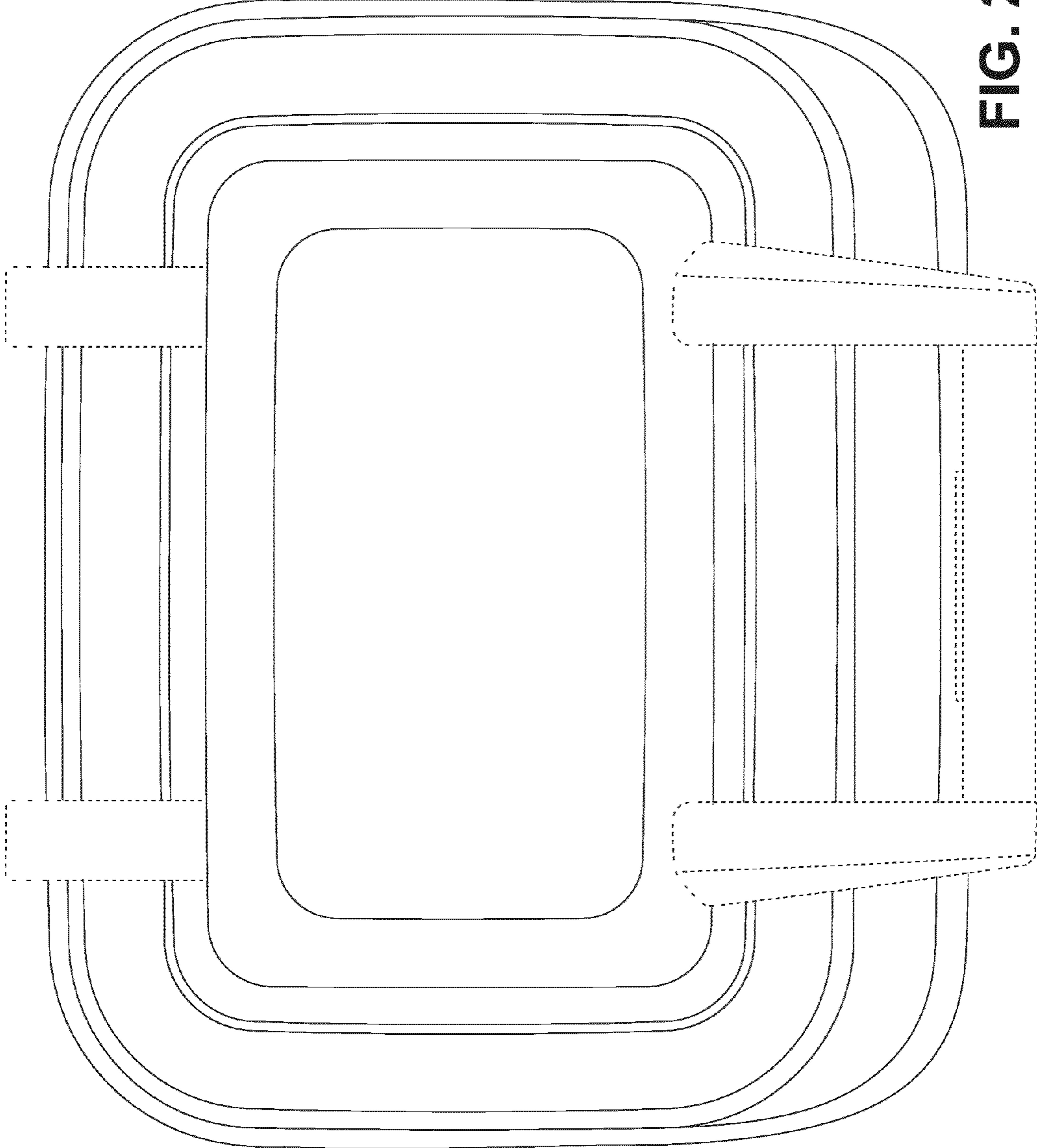


FIG. 2

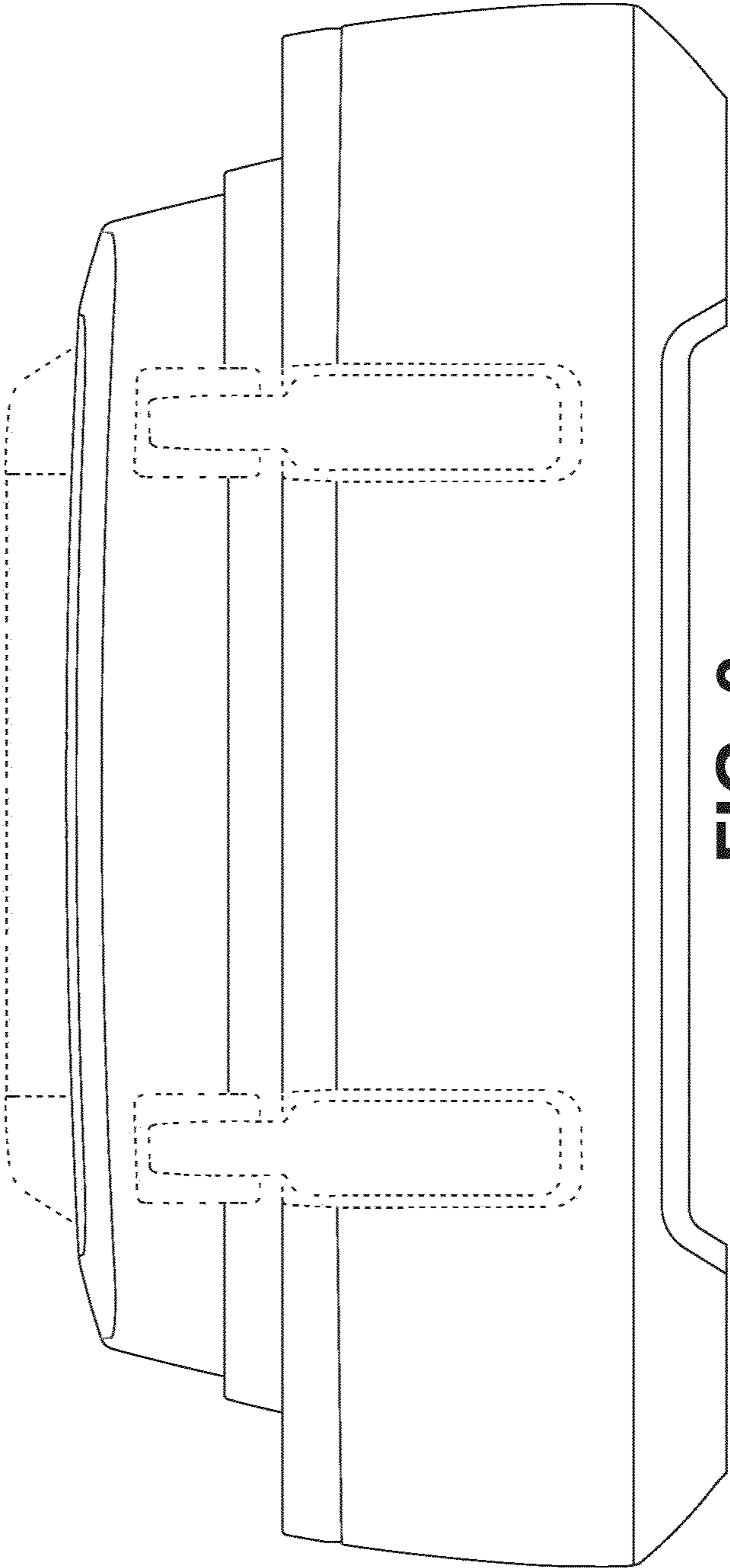


FIG. 3

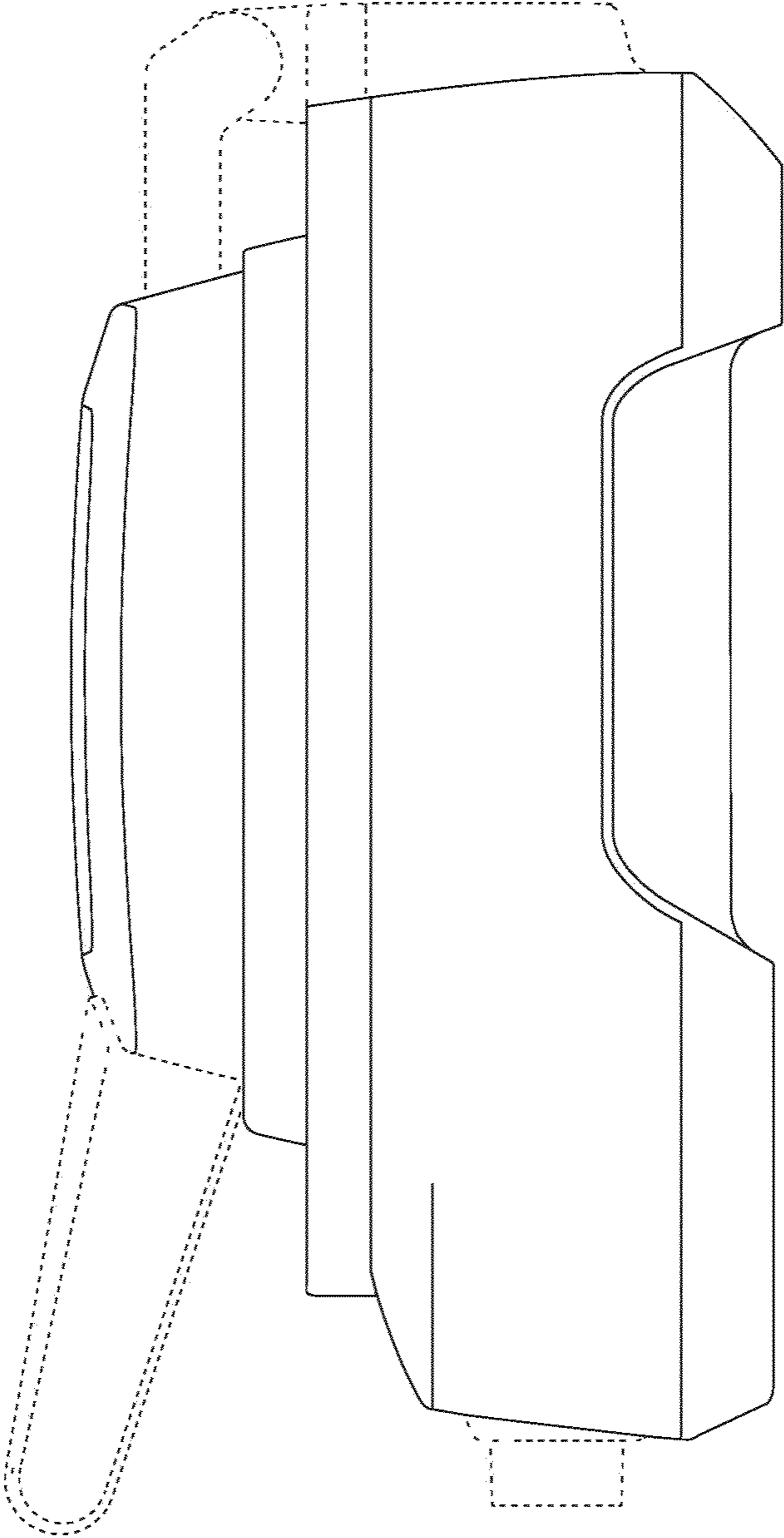


FIG. 4

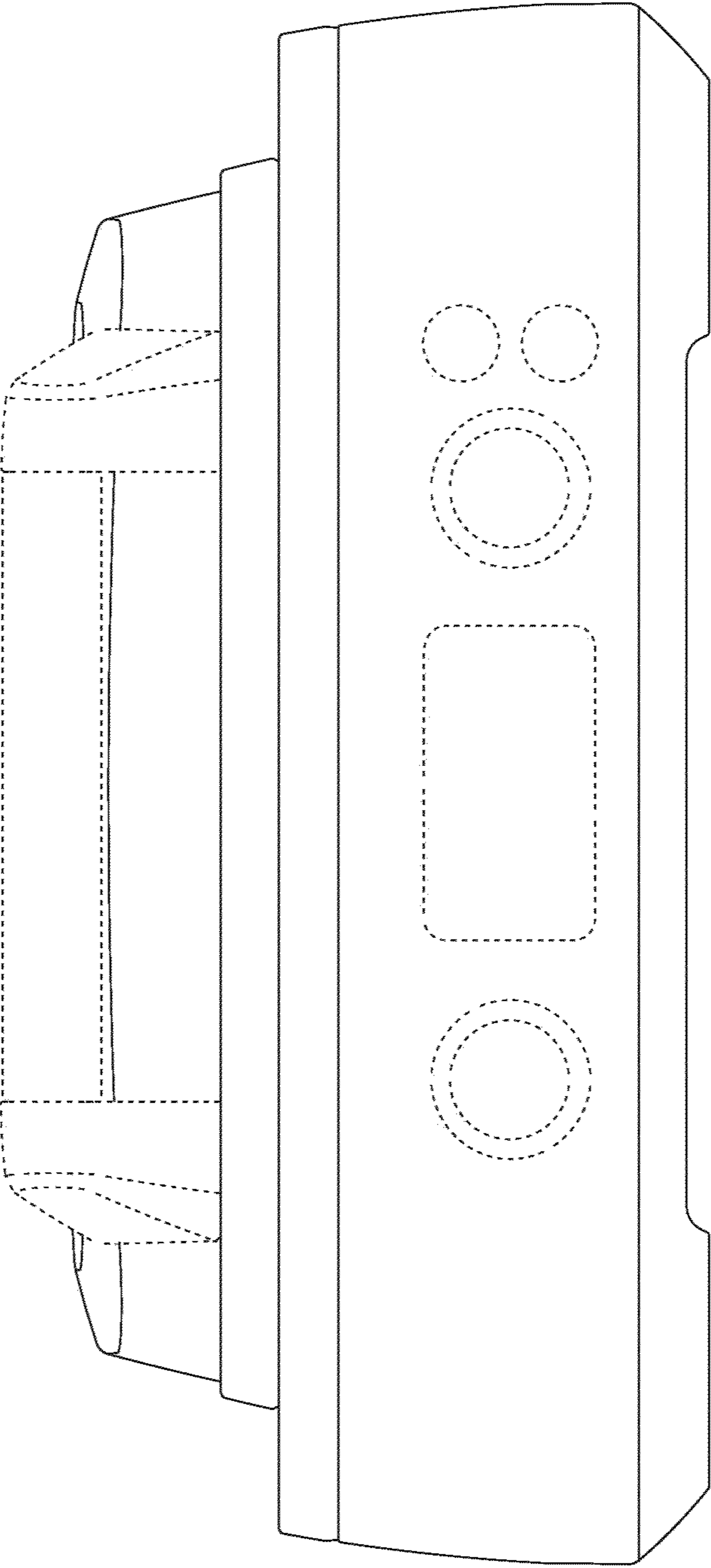


FIG. 5

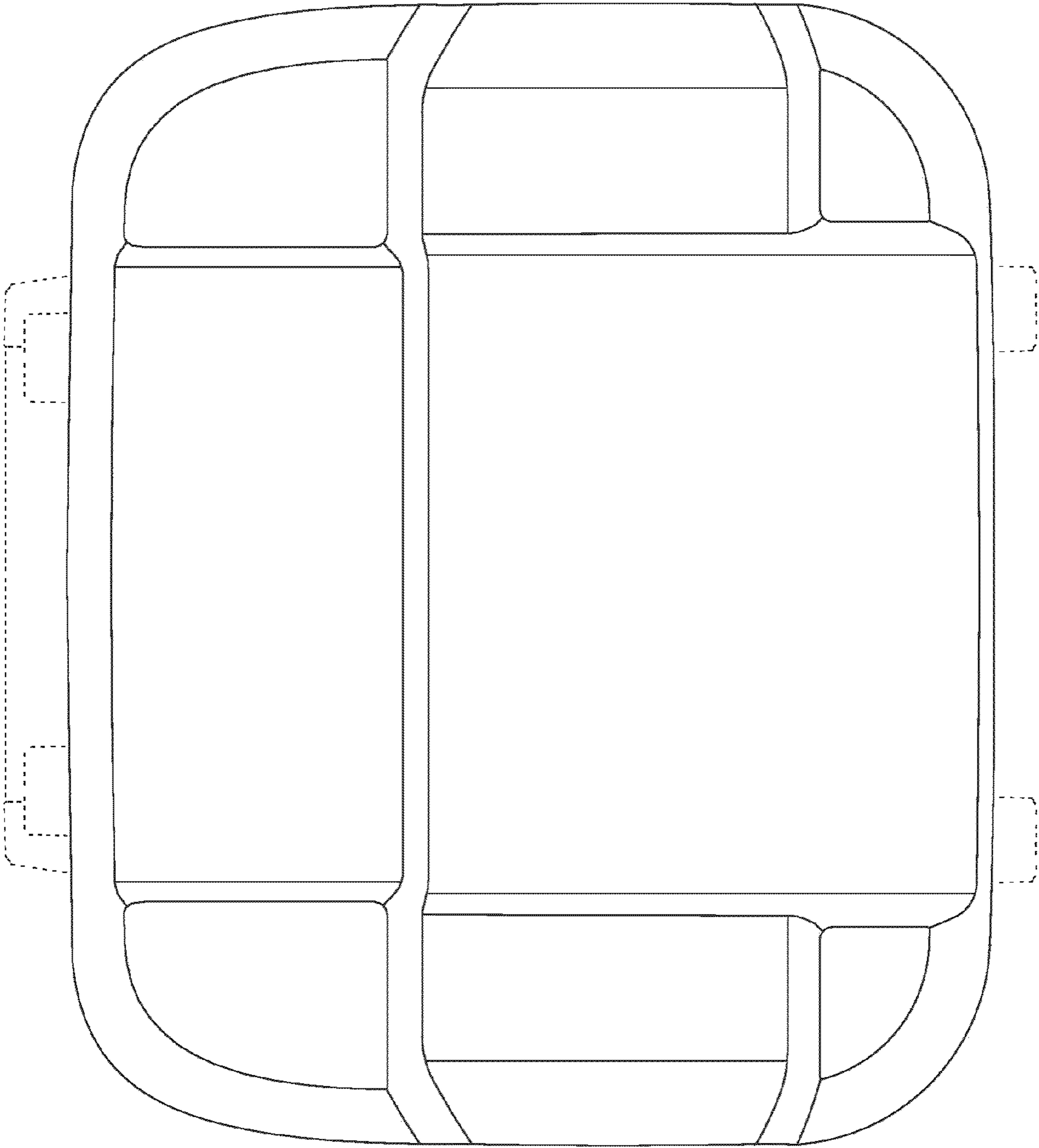


FIG. 6