



US00D741649S

(12) **United States Design Patent**
Kim et al.

(10) **Patent No.:** **US D741,649 S**
(45) **Date of Patent:** **** Oct. 27, 2015**

(54) **MICROWAVE OVEN**

(71) Applicant: **Samsung Electronics Co., Ltd.**,
Suwon-si (KR)

(72) Inventors: **Tai Kyung Kim**, Seoul (KR); **Jaejun Kim**, Seoul (KR)

(73) Assignee: **Samsung Electronics Co., Ltd.**,
Suwon-si (KR)

(**) Term: **14 Years**

(21) Appl. No.: **29/462,288**

(22) Filed: **Aug. 1, 2013**

(30) **Foreign Application Priority Data**

Feb. 5, 2013 (KR) 30-2013-0006346

(51) **LOC (10) CL.** **07-02**

(52) **U.S. Cl.**
USPC **D7/405**

(58) **Field of Classification Search**
USPC D7/350.1–350.4, 351, 402, 405, 406;
126/19 R, 19 M, 41 R; 219/391, 725,
219/756–758; 99/DIG. 14
See application file for complete search history.

(56) **References Cited**

U.S. PATENT DOCUMENTS

D518,680 S * 4/2006 Kim D7/351
D522,800 S * 6/2006 Lee et al. D7/351
D531,447 S * 11/2006 Lee et al. D7/350.4
D539,592 S * 4/2007 Jeon D7/350.1
D540,105 S * 4/2007 Lee et al. D7/351
D540,614 S * 4/2007 Jeon D7/350.1

D560,423 S * 1/2008 Kim D7/351
D561,529 S * 2/2008 Suh et al. D7/405
D576,834 S * 9/2008 Shin et al. D7/351
D576,835 S * 9/2008 Shin et al. D7/351
D583,614 S * 12/2008 Chung et al. D7/351
D607,264 S * 1/2010 Lee D7/351
D631,688 S * 2/2011 Kim et al. D7/351
D631,689 S * 2/2011 Kim et al. D7/351
D632,125 S * 2/2011 Kim et al. D7/351
D634,576 S * 3/2011 Baek et al. D7/351
D673,416 S * 1/2013 Lee D7/351
D673,805 S * 1/2013 Lee D7/351
D683,576 S * 6/2013 Lee et al. D7/351
D693,167 S * 11/2013 Kim et al. D7/351
D700,470 S * 3/2014 Kim et al. D7/351
D704,498 S * 5/2014 Kim et al. D7/351
D704,983 S * 5/2014 Yoon et al. D7/351
D708,469 S * 7/2014 Kim et al. D7/351

* cited by examiner

Primary Examiner — Ruth McInroy

(74) *Attorney, Agent, or Firm* — NSIP Law

(57) **CLAIM**

We claim the ornamental design for a microwave oven, as shown and described.

DESCRIPTION

FIG. 1 is a front perspective view of a microwave oven, showing our new design;

FIG. 2 is a front view thereof;

FIG. 3 is a rear view thereof;

FIG. 4 is a left-side view thereof;

FIG. 5 is a right-side view thereof;

FIG. 6 is a top view thereof; and,

FIG. 7 is a bottom view thereof.

The broken lines are for illustrative purposes only and form no part of the claimed design.

1 Claim, 7 Drawing Sheets

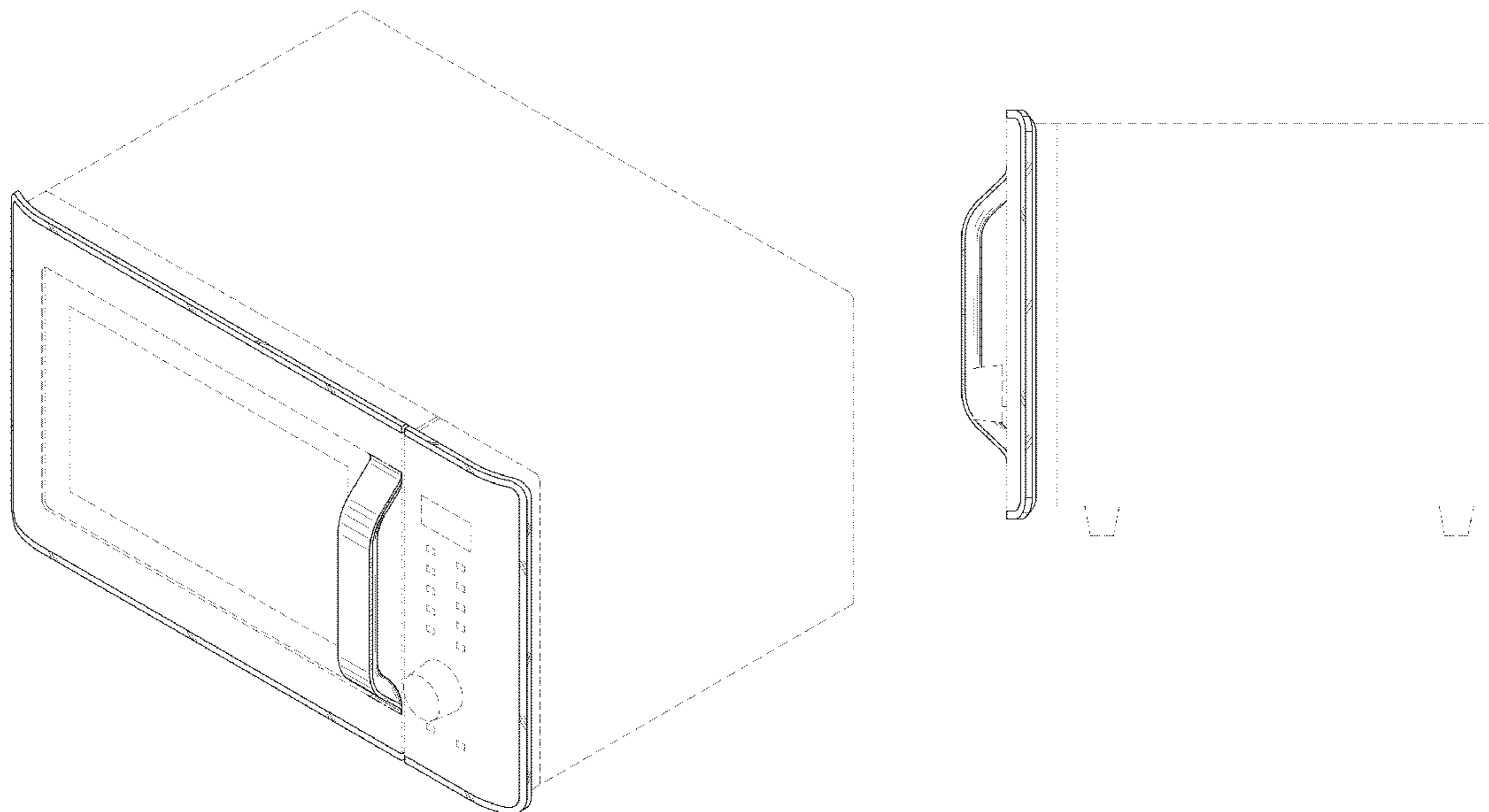


FIG. 1

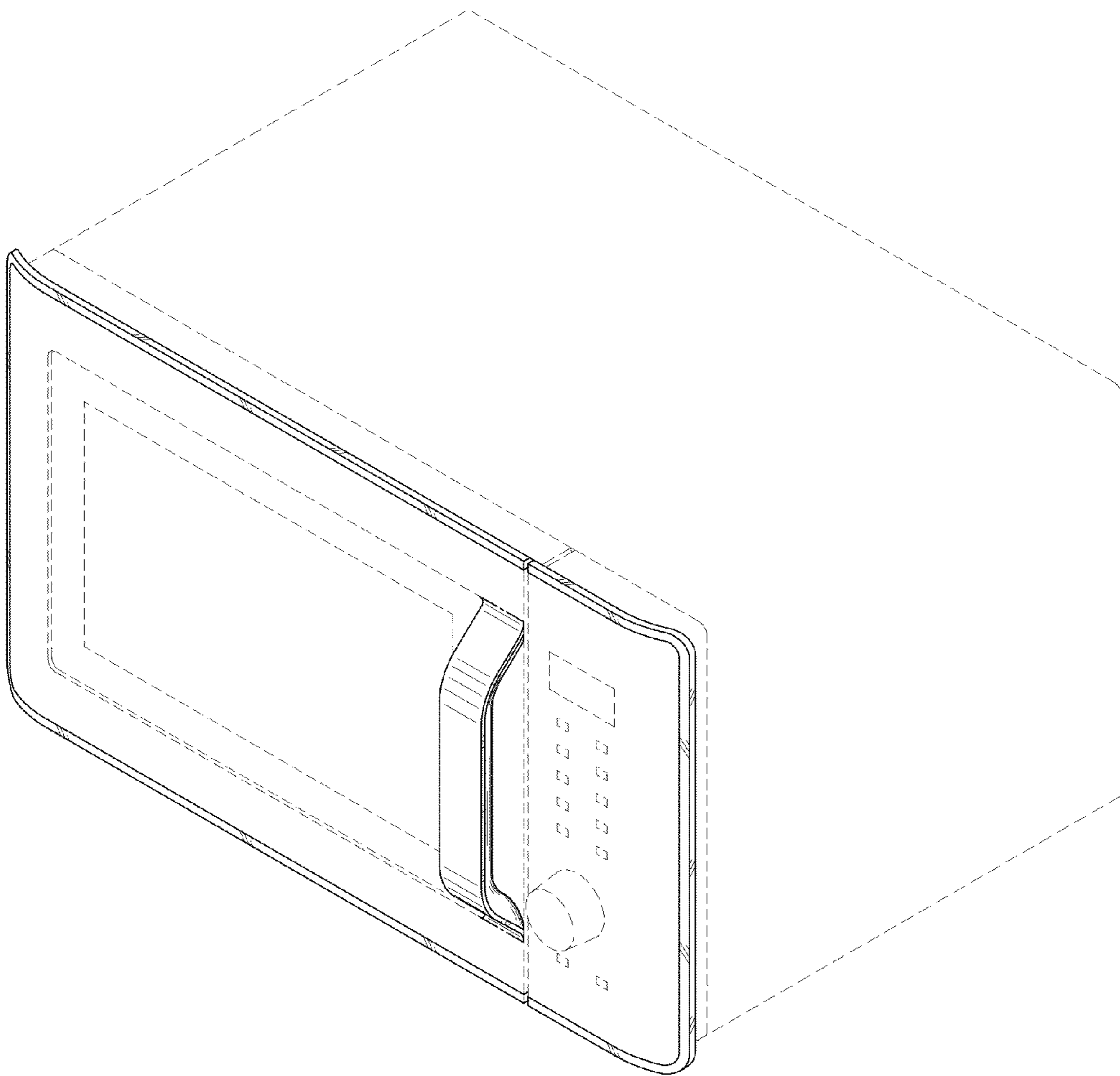


FIG.2

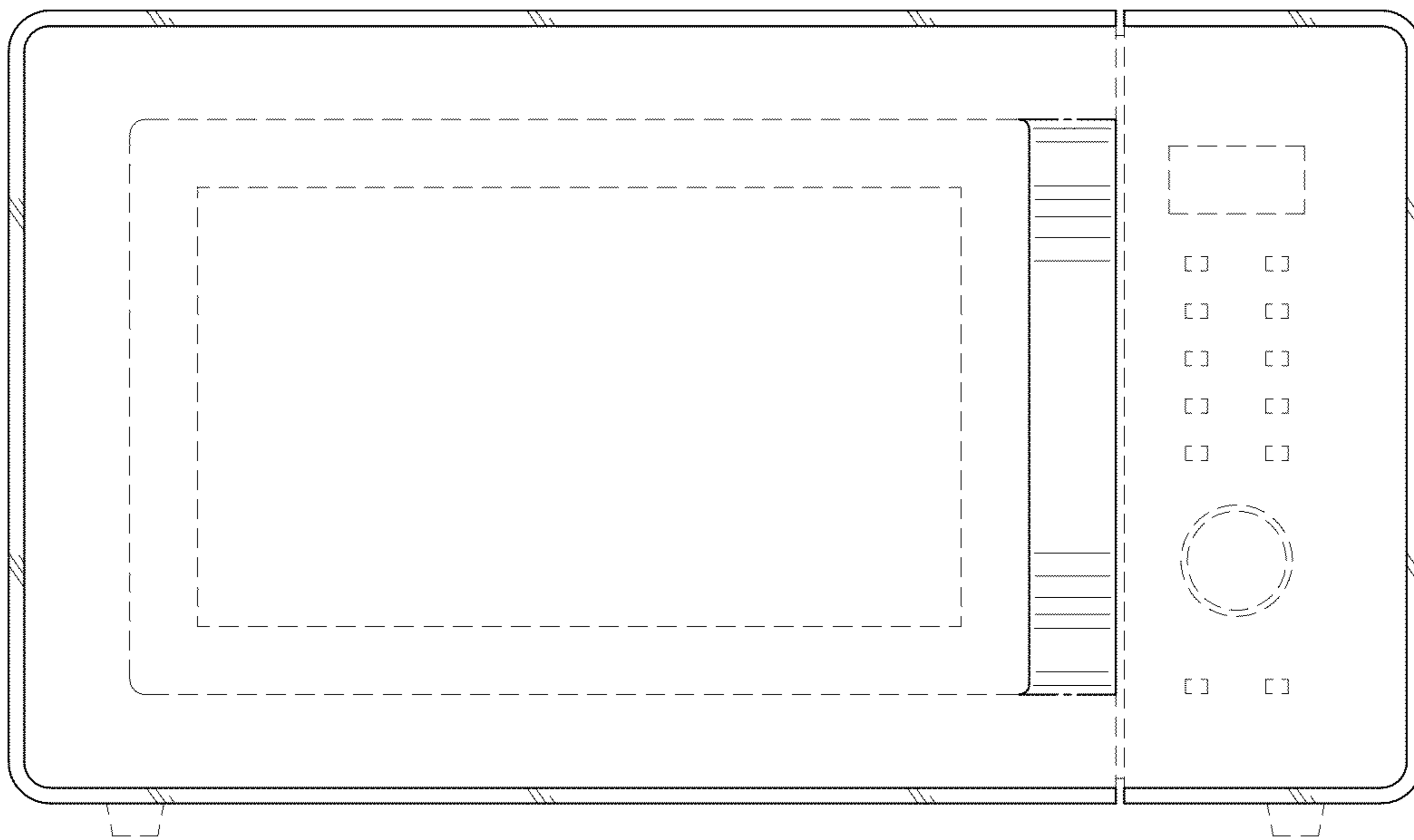


FIG.3

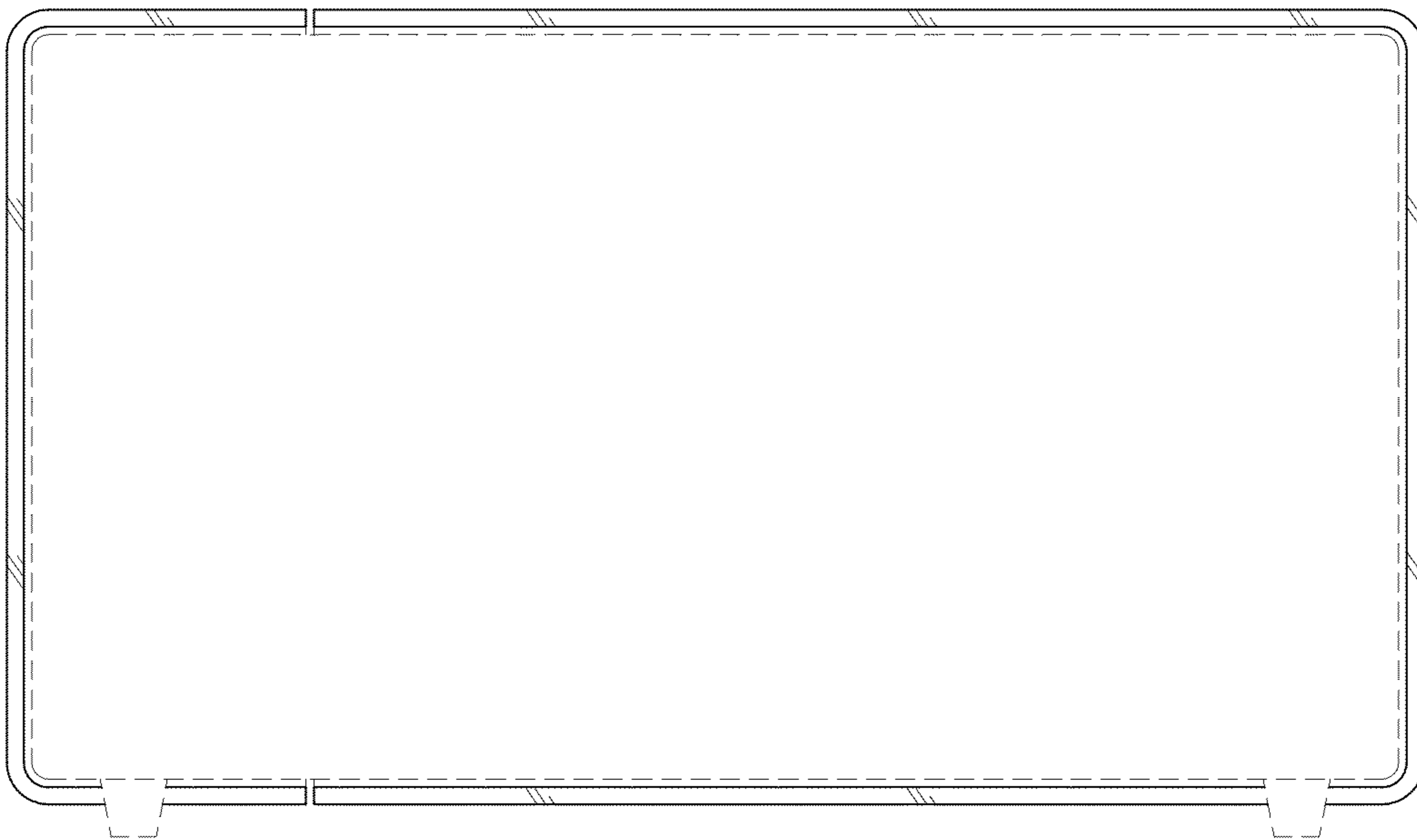


FIG. 4

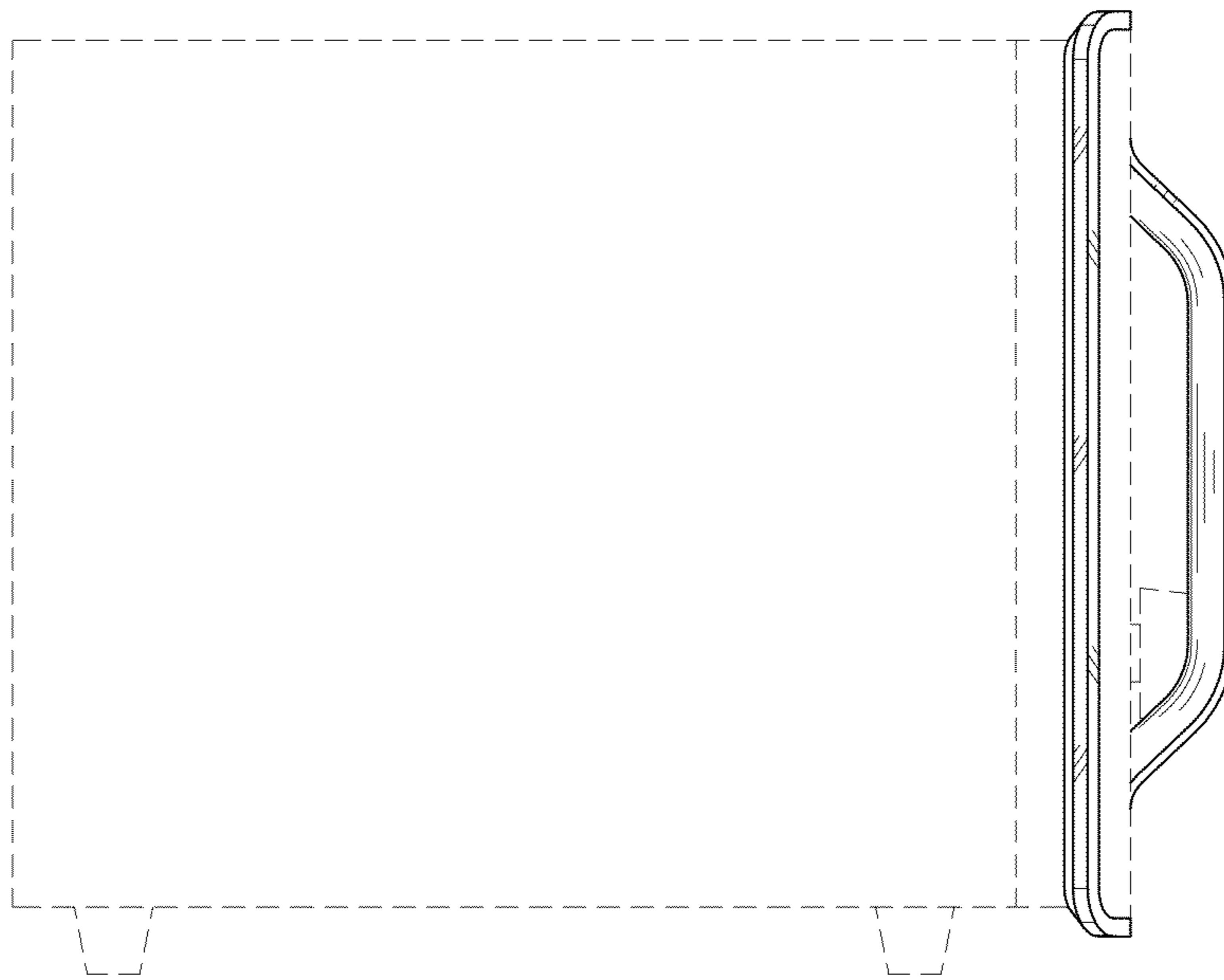


FIG. 5

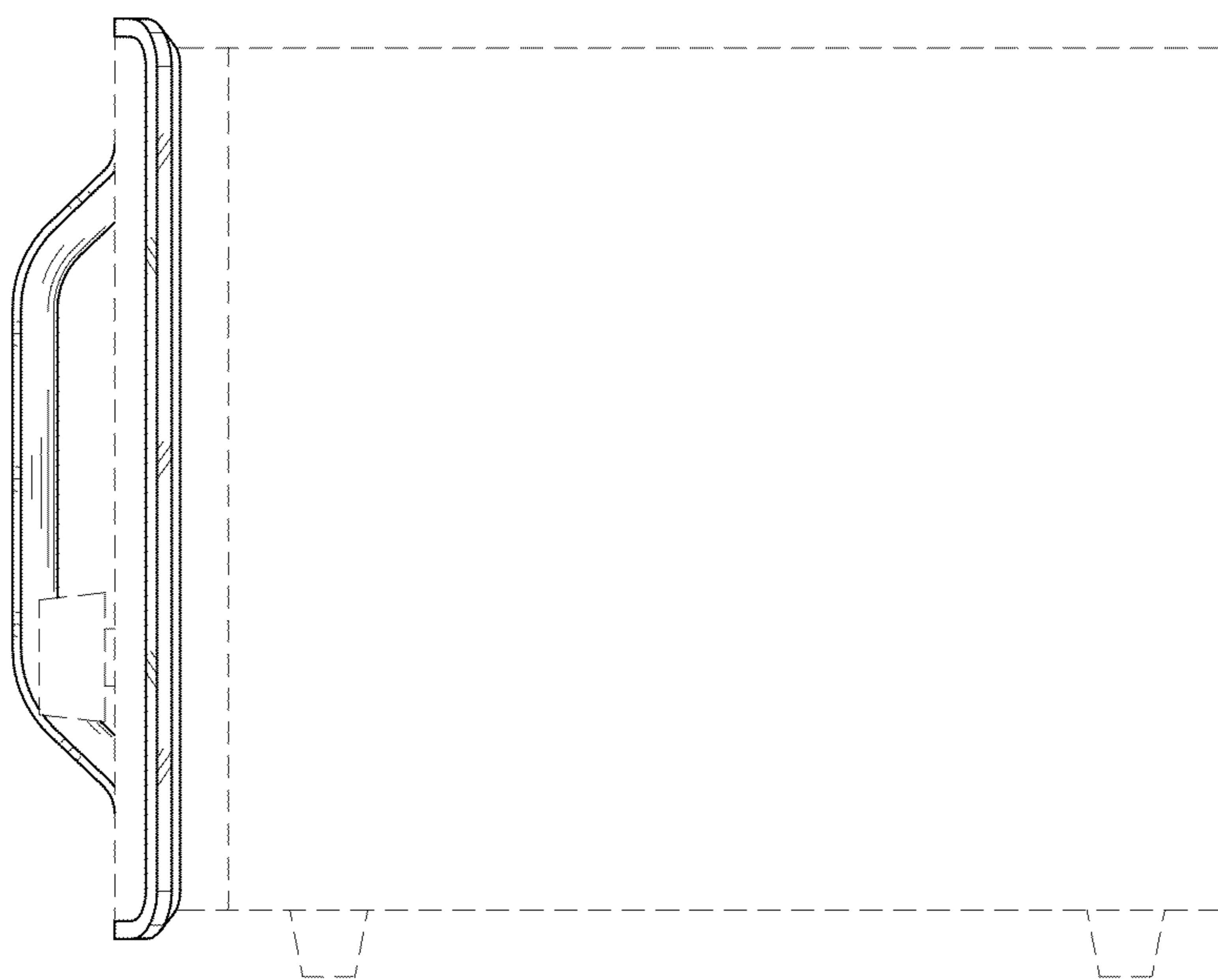


FIG.6

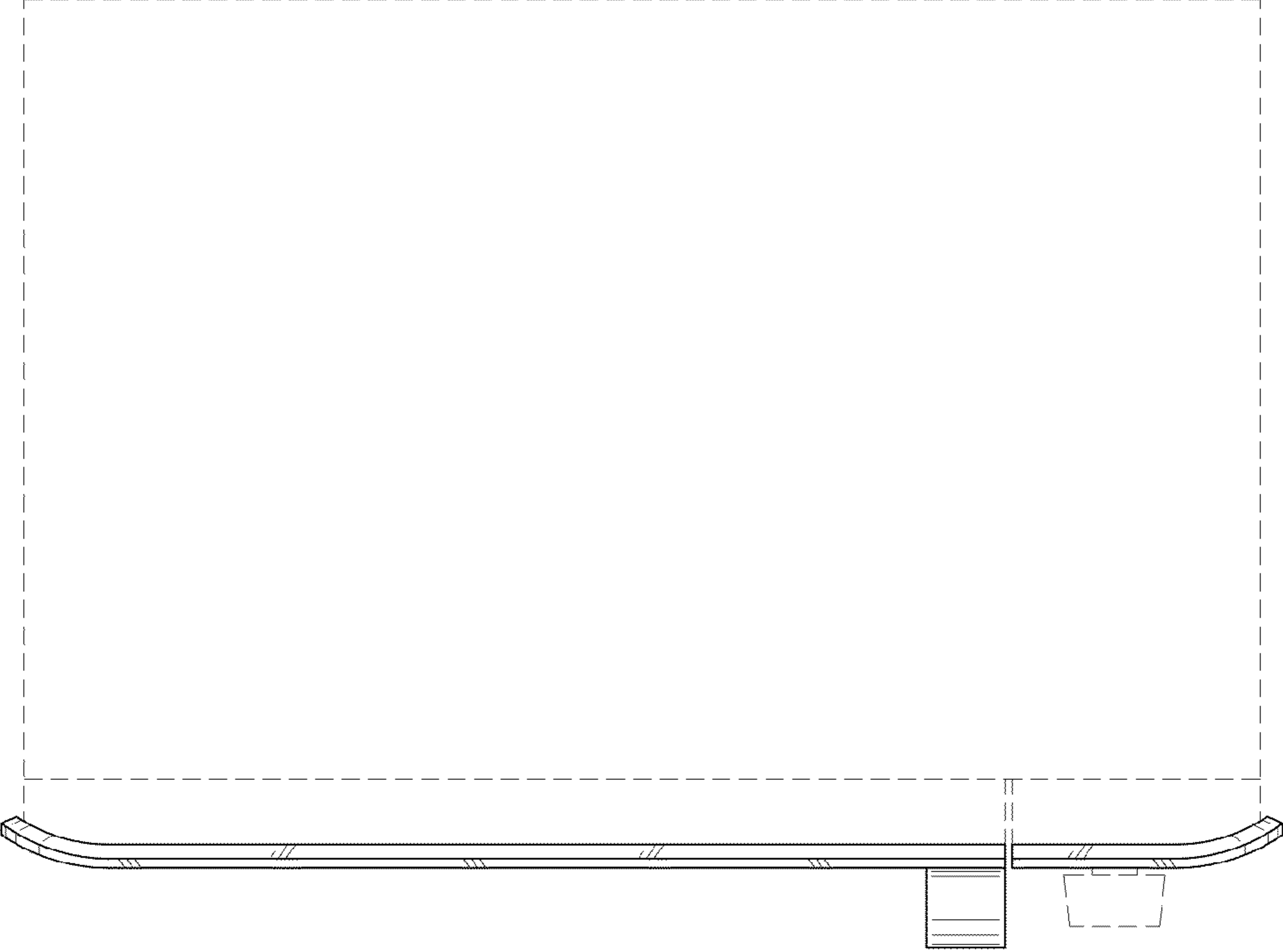


FIG. 7

