



US00D741648S

(12) **United States Design Patent**
Wahl

(10) **Patent No.:** **US D741,648 S**
(45) **Date of Patent:** **** Oct. 27, 2015**

- (54) **INFUSER BASKET**
- (71) Applicant: **Pacific Market International, LLC**,
Seattle, WA (US)
- (72) Inventor: **Andrew C. F. Wahl**, Seattle, WA (US)
- (73) Assignee: **PACIFIC MARKET**
INTERNATIONAL, LLC, Seattle, WA
(US)
- (**) Term: **14 Years**
- (21) Appl. No.: **29/495,382**
- (22) Filed: **Jun. 30, 2014**
- (51) **LOC (10) Cl.** **31-00**
- (52) **U.S. Cl.**
USPC **D7/400; D7/399; D23/366**
- (58) **Field of Classification Search**
USPC D7/505, 507, 504, 552.2, 553.4, 553.6,
D7/553.7, 553.8, 554.4, 558, 635, 645,
D7/647, 400, 403, 410, 213, 700, 413, 690,
D7/379, 551.1, 631, 506, 560, 566, 571,
D7/577, 579, 584, 600.1, 601, 602, 603,
D7/604, 609, 611, 614, 708.1, 622, 310,
D7/399, 667, 678, 682, 396.2, 396.4, 397,
D7/401, 408; D6/403, 404; 220/495.03,
220/592.04, 737; D23/364-369, 260, 261;
D28/5, 6; 239/55, 58, 59; D26/10, 22,
D26/152, 2, 9; D9/552, 428, 425
CPC A47J 31/005; A47J 31/06; A47J 19/02;
A47G 19/06; A47G 19/2227; A47G 19/16;
A47G 7/04; A47G 19/2211; B01D 35/02;
A23F 3/16
See application file for complete search history.

D311,869	S	*	11/1990	Carlson	D7/603
5,536,055	A	*	7/1996	Kohn	294/1.3
D403,601	S	*	1/1999	Robbins, III	D10/46.2
6,168,816	B1	*	1/2001	Hammond	426/433
D475,821	S	*	6/2003	DesForges	D32/25
D485,122	S	*	1/2004	Multari	D7/400
D489,004	S	*	4/2004	Parman	D9/428
D596,703	S	*	7/2009	McKinney	D23/209
D607,095	S	*	12/2009	LeMay et al.	D23/366
D628,281	S	*	11/2010	Bates et al.	D23/364
D633,191	S	*	2/2011	Sato	D23/366
D636,069	S	*	4/2011	LeMay et al.	D23/388
D636,482	S	*	4/2011	LeMay et al.	D23/388
D644,893	S	*	9/2011	Jossem et al.	D7/682
D658,827	S	*	5/2012	Lipscomb et al.	D30/162
D662,763	S	*	7/2012	Stewart et al.	D7/368
D663,162	S	*	7/2012	Lewis et al.	D7/408
D675,708	S	*	2/2013	Smiedt et al.	D23/209
D697,411	S	*	1/2014	Stern et al.	D9/516
D702,513	S	*	4/2014	Harris et al.	D7/692
D715,097	S	*	10/2014	Thonis et al.	D7/388
D721,278	S	*	1/2015	Eble	D9/538
2008/0060526	A1	*	3/2008	Gilbert	99/289 D
2014/0053736	A1	*	2/2014	Simontov et al.	99/323

* cited by examiner

Primary Examiner — Marianne Pandozzi

Assistant Examiner — Jae Liang

(74) *Attorney, Agent, or Firm* — Davis Wright Tremaine
LLP; George C. Rondeau, Jr.

(57) **CLAIM**

The ornamental design for an infuser basket, as shown and described.

DESCRIPTION

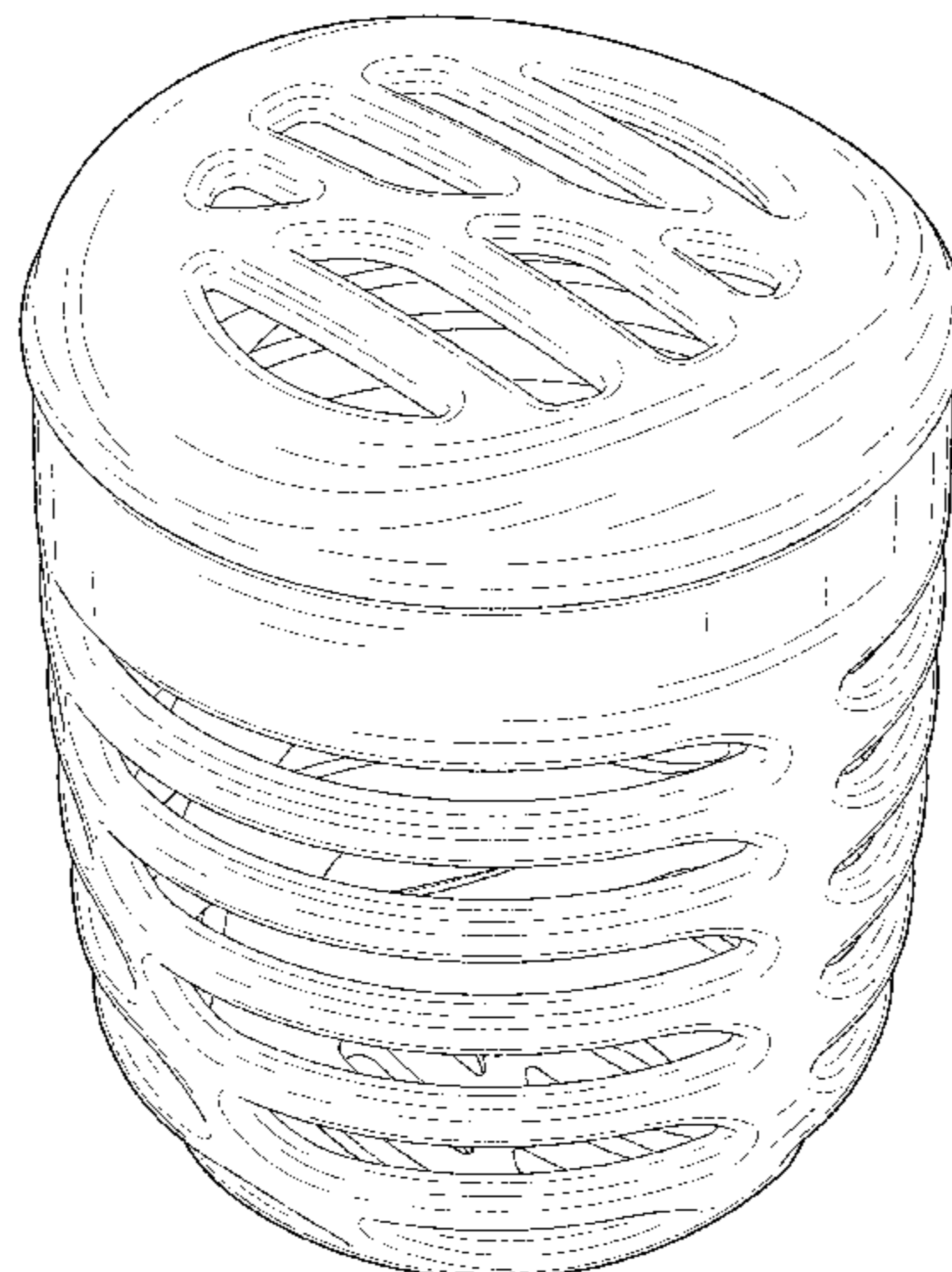
FIG. 1 is a top right side perspective view of an infuser basket showing my new design;
FIG. 2 is a front elevational view thereof;
FIG. 3 is a right side elevational view thereof;
FIG. 4 is a left side elevational view thereof;
FIG. 5 is a rear elevational view thereof;
FIG. 6 is a top plan view thereof; and,
FIG. 7 is a bottom plan view thereof.

1 Claim, 7 Drawing Sheets

(56) **References Cited**

U.S. PATENT DOCUMENTS

2,133,166	A	*	10/1938	Fritsche	99/323
2,260,858	A	*	10/1941	Naef	426/82
D296,969	S	*	8/1988	Carlson	D7/667



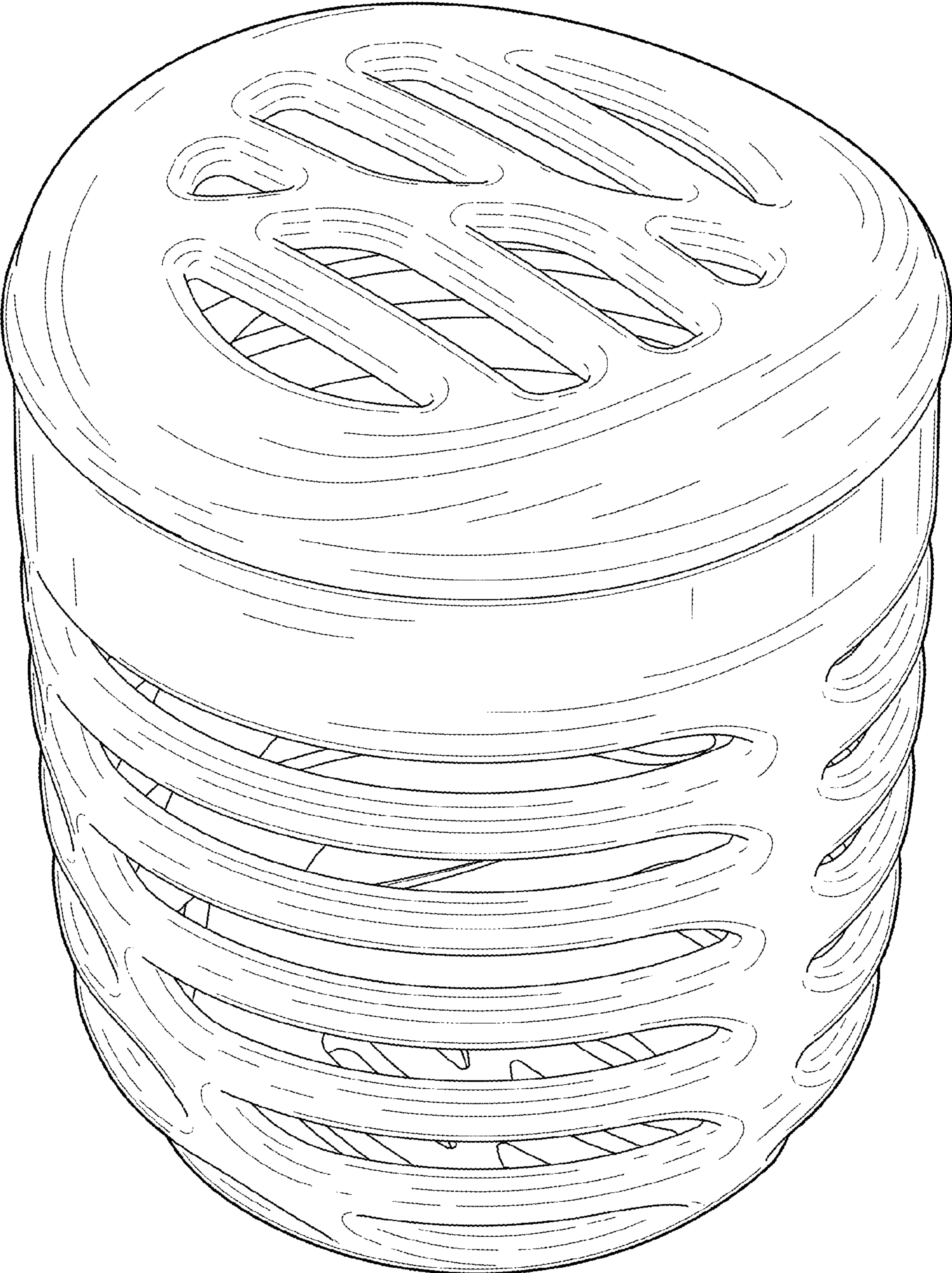


FIG.1

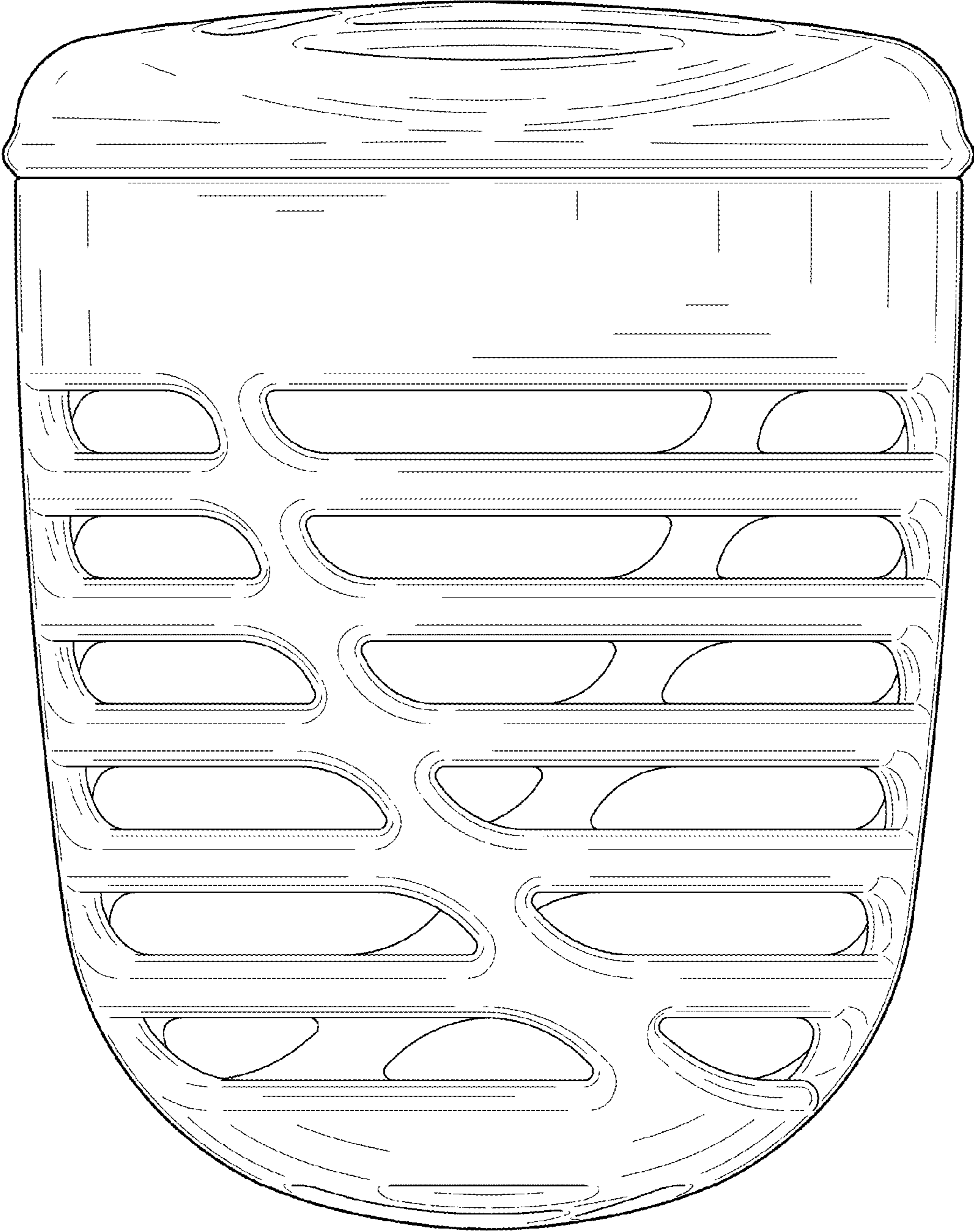


FIG.2

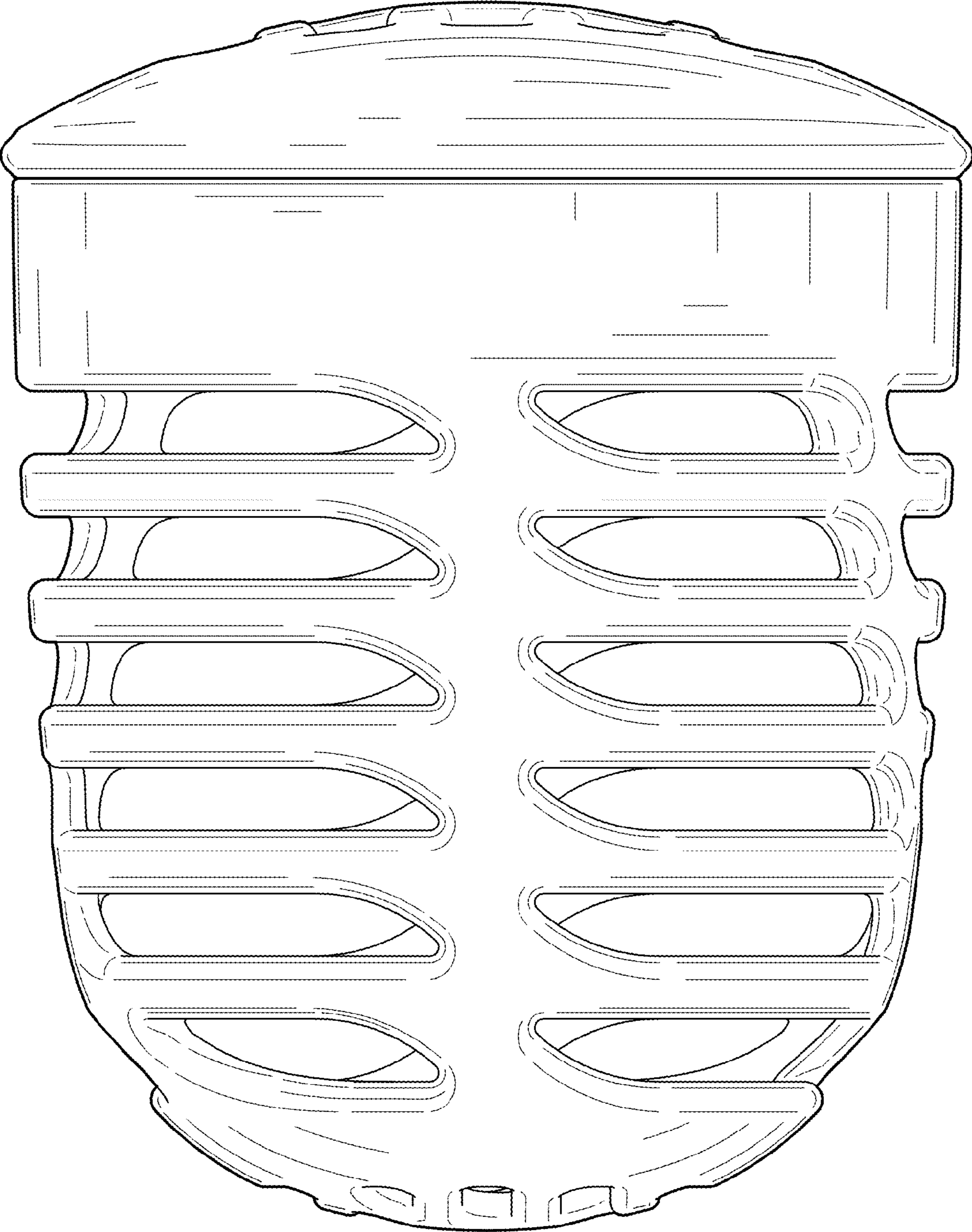


FIG. 3

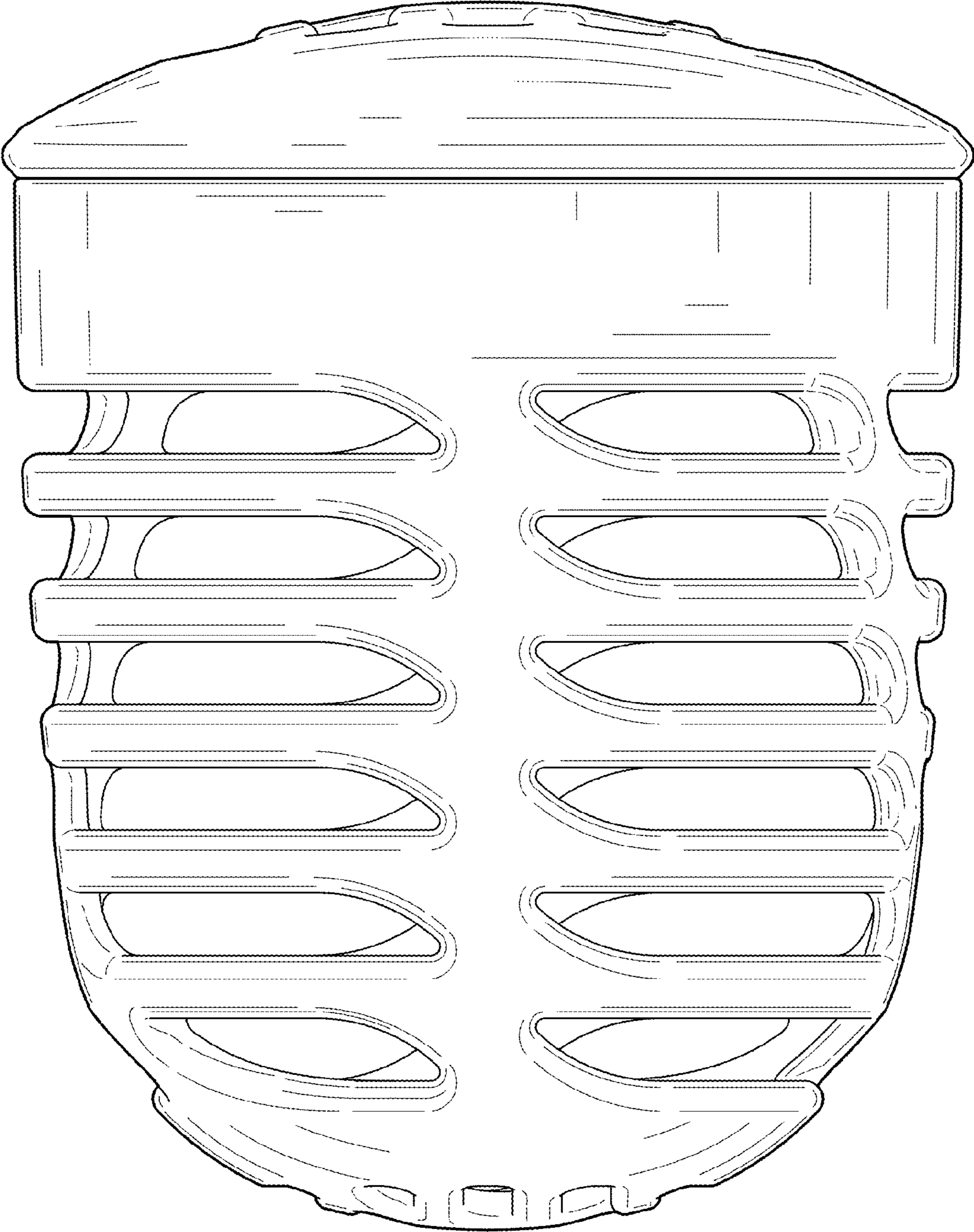


FIG. 4

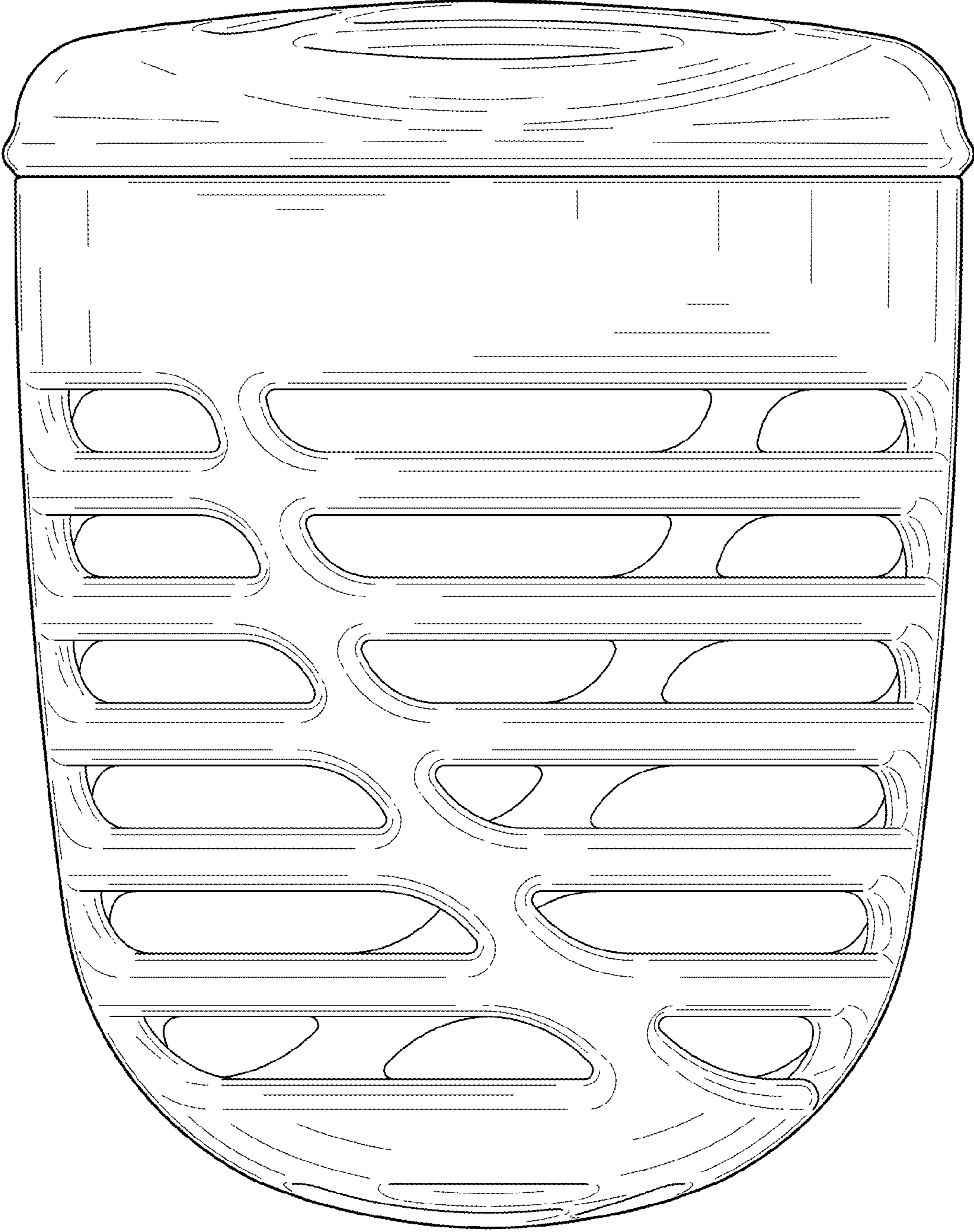


FIG.5

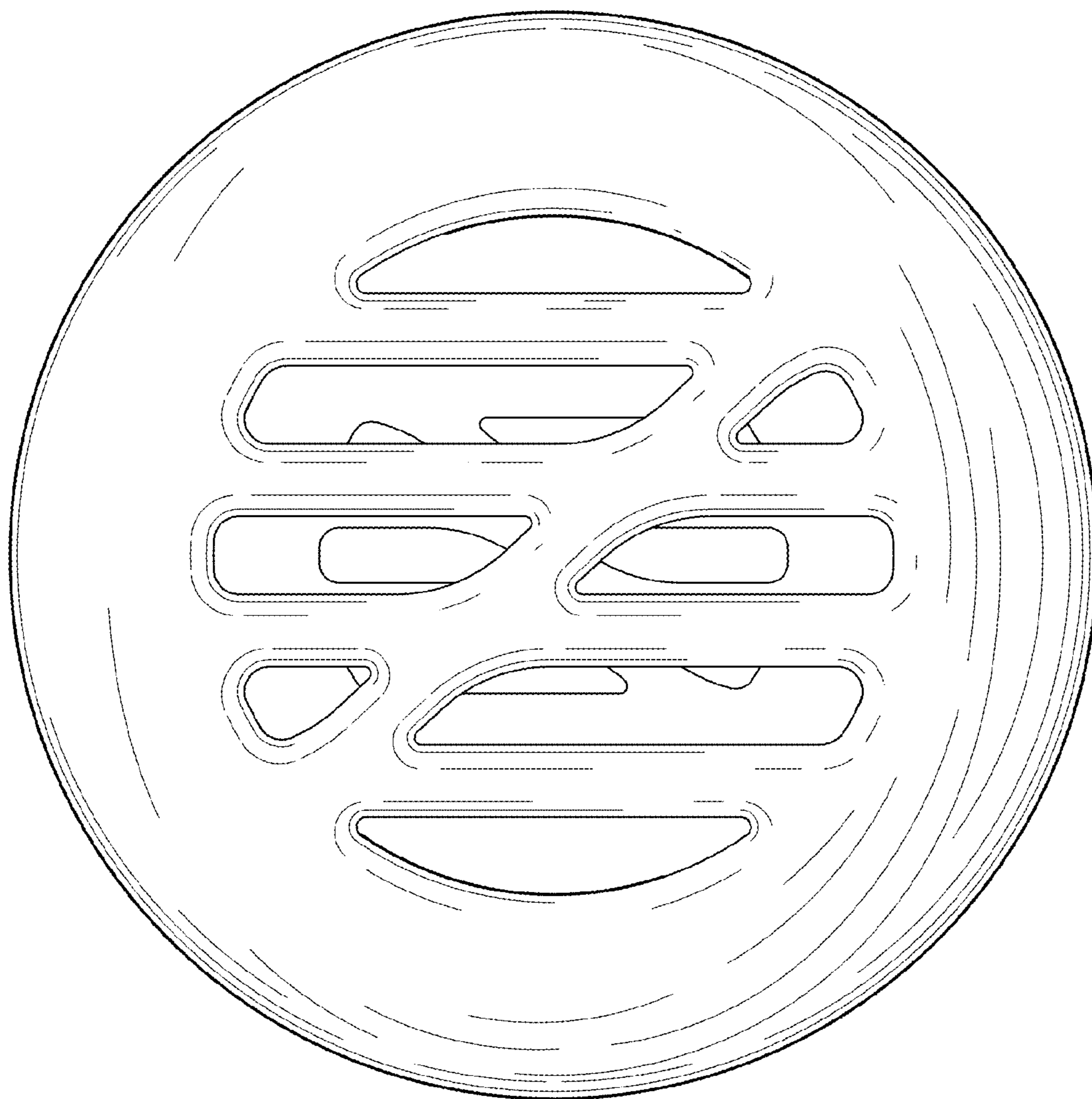


FIG.6



FIG. 7