



US00D741646S

(12) **United States Design Patent**
Supple

(10) **Patent No.:** **US D741,646 S**
(45) **Date of Patent:** **** Oct. 27, 2015**

(54) **TAP HANDLE**

(71) Applicant: **Fox River Brewing Company, LLC**,
Oshkosh, WI (US)

(72) Inventor: **Jay P. Supple**, Oshkosh, WI (US)

(73) Assignee: **Fox River Brewing Company, LLC**,
Oshkosh, WI (US)

(**) Term: **14 Years**

(21) Appl. No.: **29/499,573**

(22) Filed: **Aug. 15, 2014**

(51) **LOC (10) Cl.** **07-99**

(52) **U.S. Cl.**
USPC **D7/398**; D7/397; D22/140

(58) **Field of Classification Search**
USPC D7/302, 301, 395, 393, 397, 306;
D9/645, 668; 222/400.8, 400.7;
362/183; 40/332; D22/140, 141
CPC B65D 83/16; B67D 1/06; D67D 1/0086
See application file for complete search history.

(56) **References Cited**

U.S. PATENT DOCUMENTS

D286,005 S * 10/1986 Rutter D7/398
D290,987 S * 7/1987 Robbins et al. D22/141

D291,108 S * 7/1987 Robbins D22/141
D404,109 S * 1/1999 Zwayer et al. D22/141
6,000,652 A * 12/1999 Zwayer et al. 242/238
D459,430 S * 6/2002 Burke D22/140
D475,888 S * 6/2003 Celli D7/398
D555,974 S * 11/2007 Miller D7/398
D619,849 S * 7/2010 Power D7/398
D700,271 S * 2/2014 McCune D22/141
D718,409 S * 11/2014 Asaba D22/140

* cited by examiner

Primary Examiner — Marianne Pandozzi

(74) *Attorney, Agent, or Firm* — Brian G. Gilpin; Godfrey & Kahn, S.C.

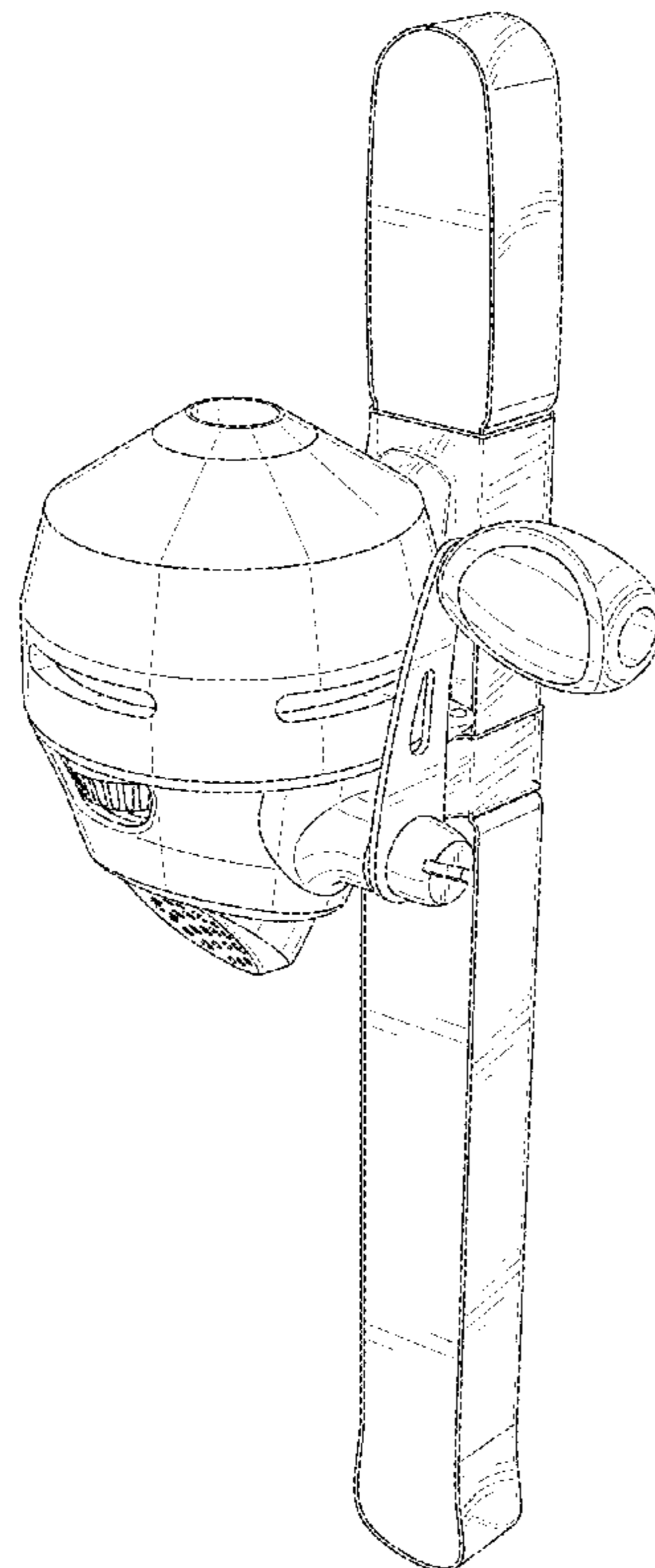
(57) **CLAIM**

I claim the ornamental design for a tap handle, as shown and described.

DESCRIPTION

FIG. 1 is a perspective view of a tap handle showing my new design;
FIG. 2 is a front view of the tap handle of FIG. 1;
FIG. 3 is a rear view of the tap handle of FIG. 1;
FIG. 4 is a left side elevation view of the tap handle of FIG. 1;
FIG. 5 is a right side elevation view of the tap handle of FIG. 1;
FIG. 6 is a top view of the tap handle of FIG. 1; and,
FIG. 7 is a bottom view of the tap handle of FIG. 1.

1 Claim, 6 Drawing Sheets



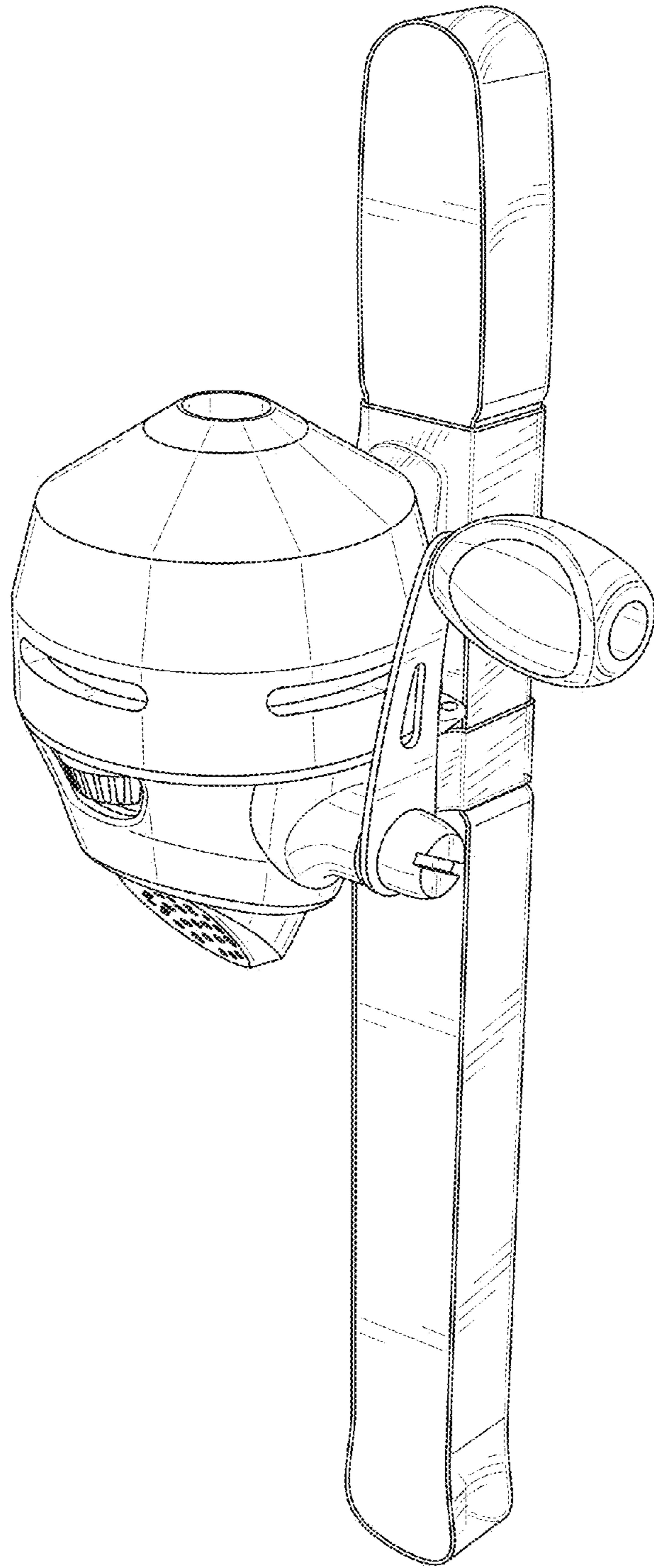


FIG. 1

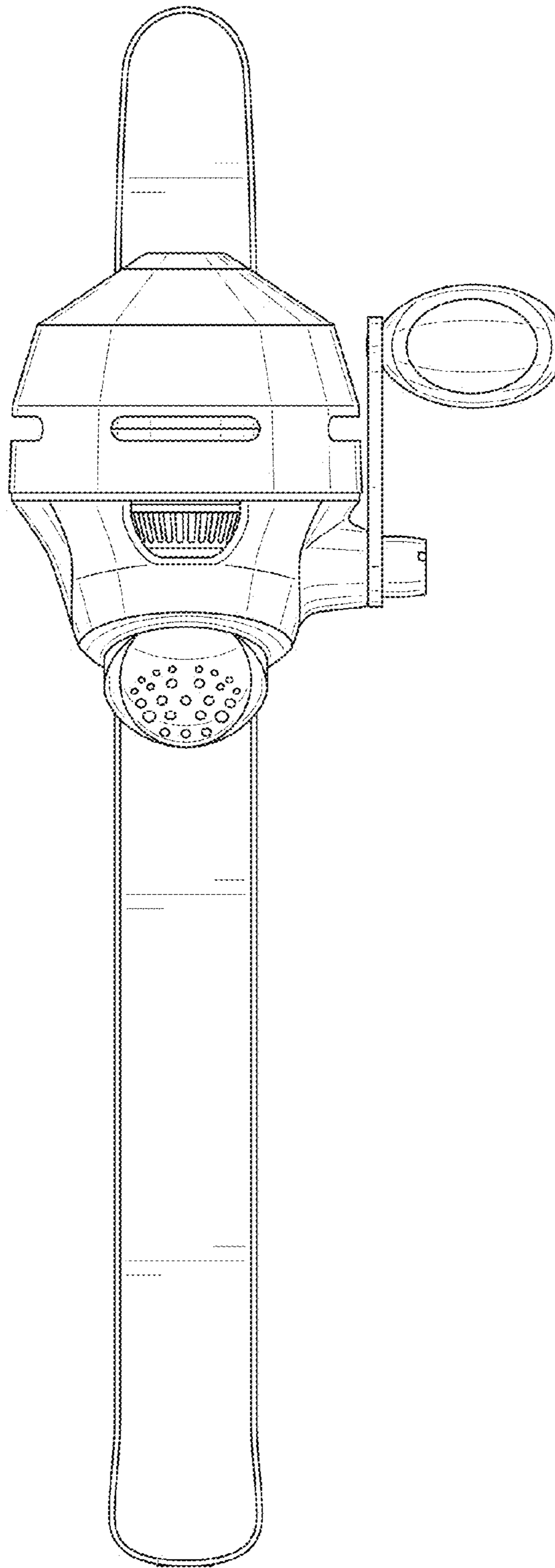


FIG. 2

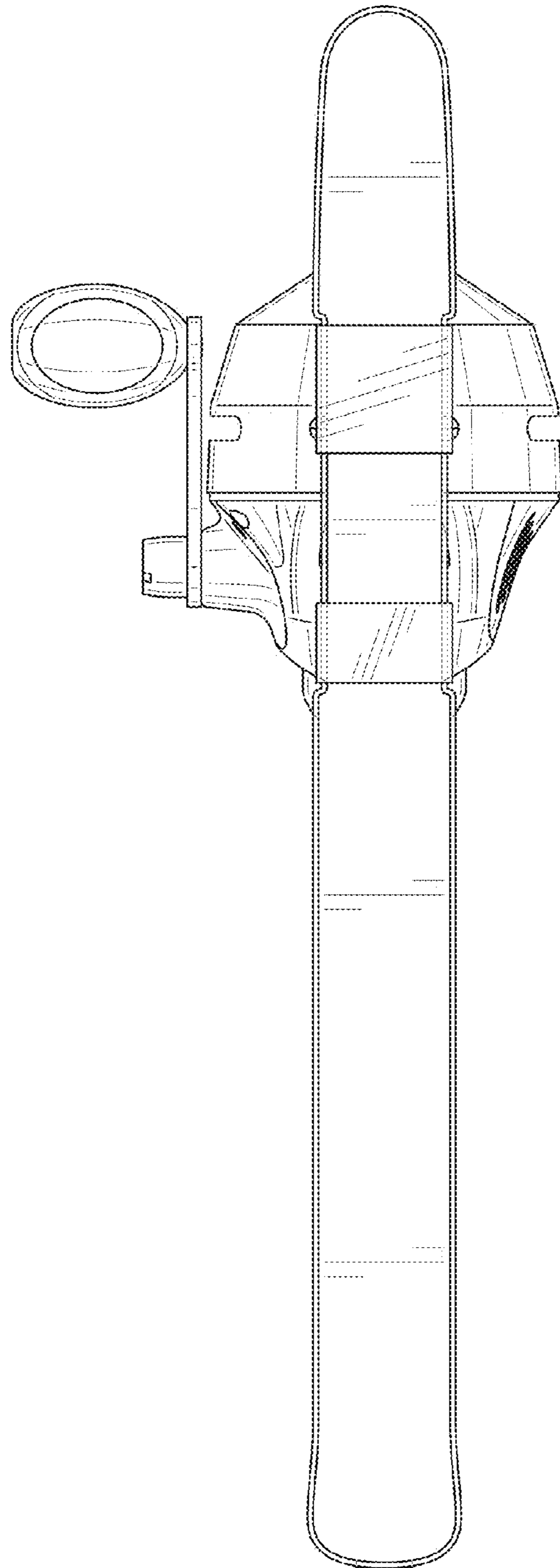


FIG. 3

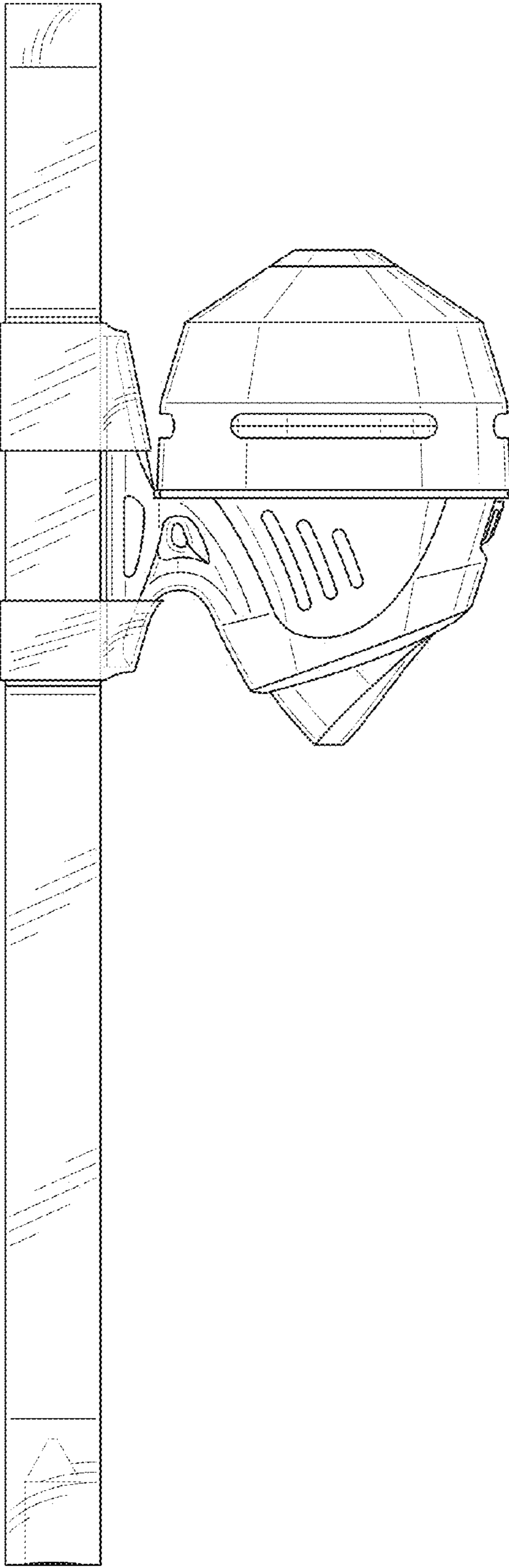


FIG. 4

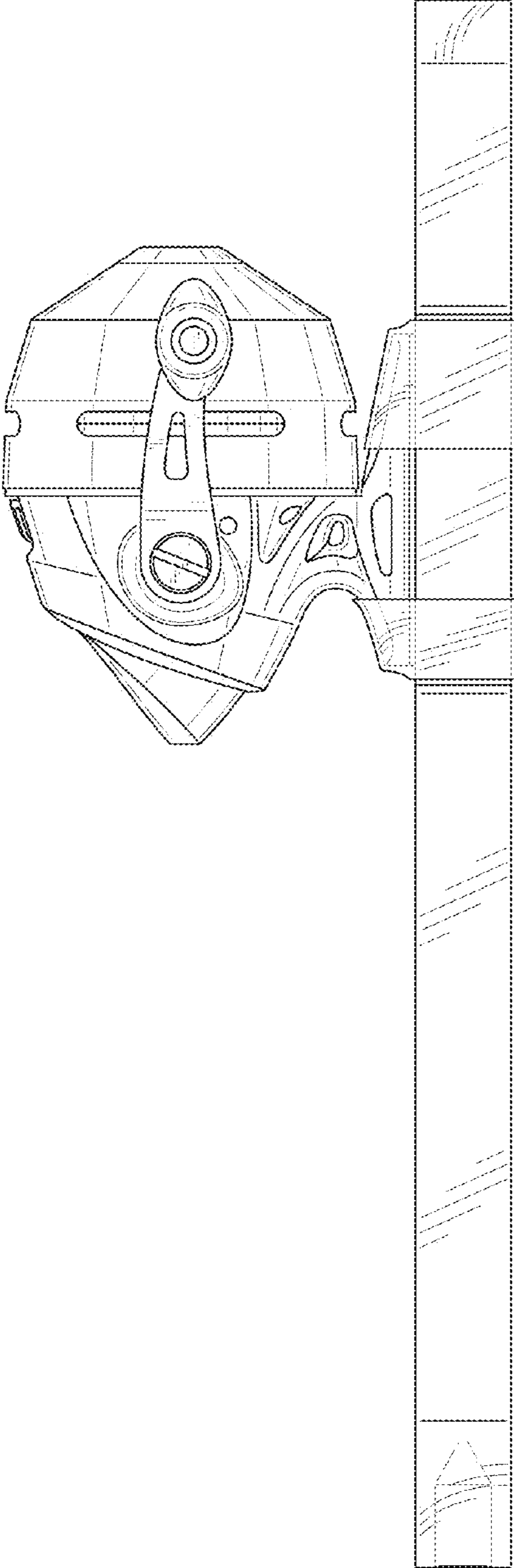


FIG. 5

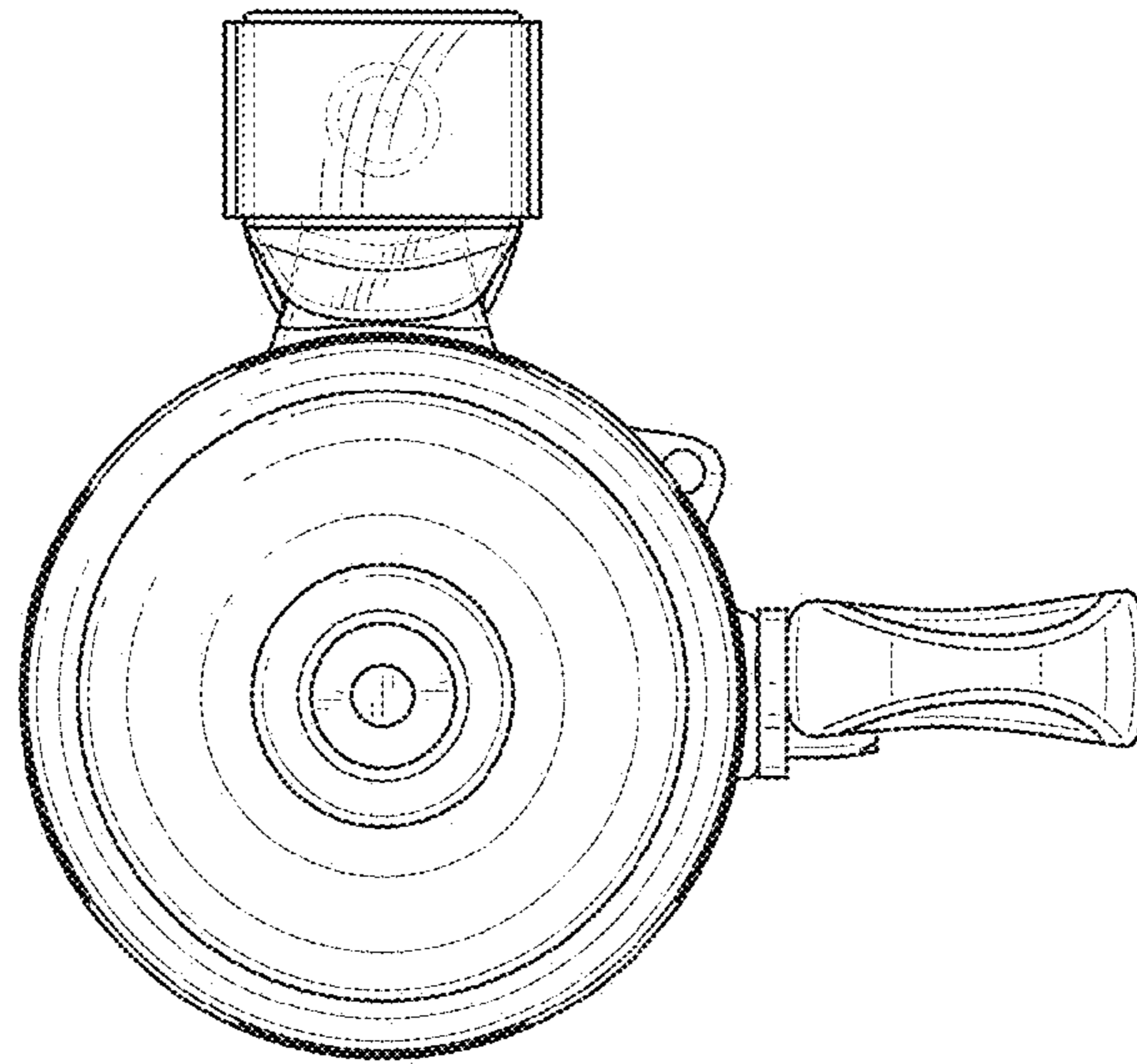


FIG. 6

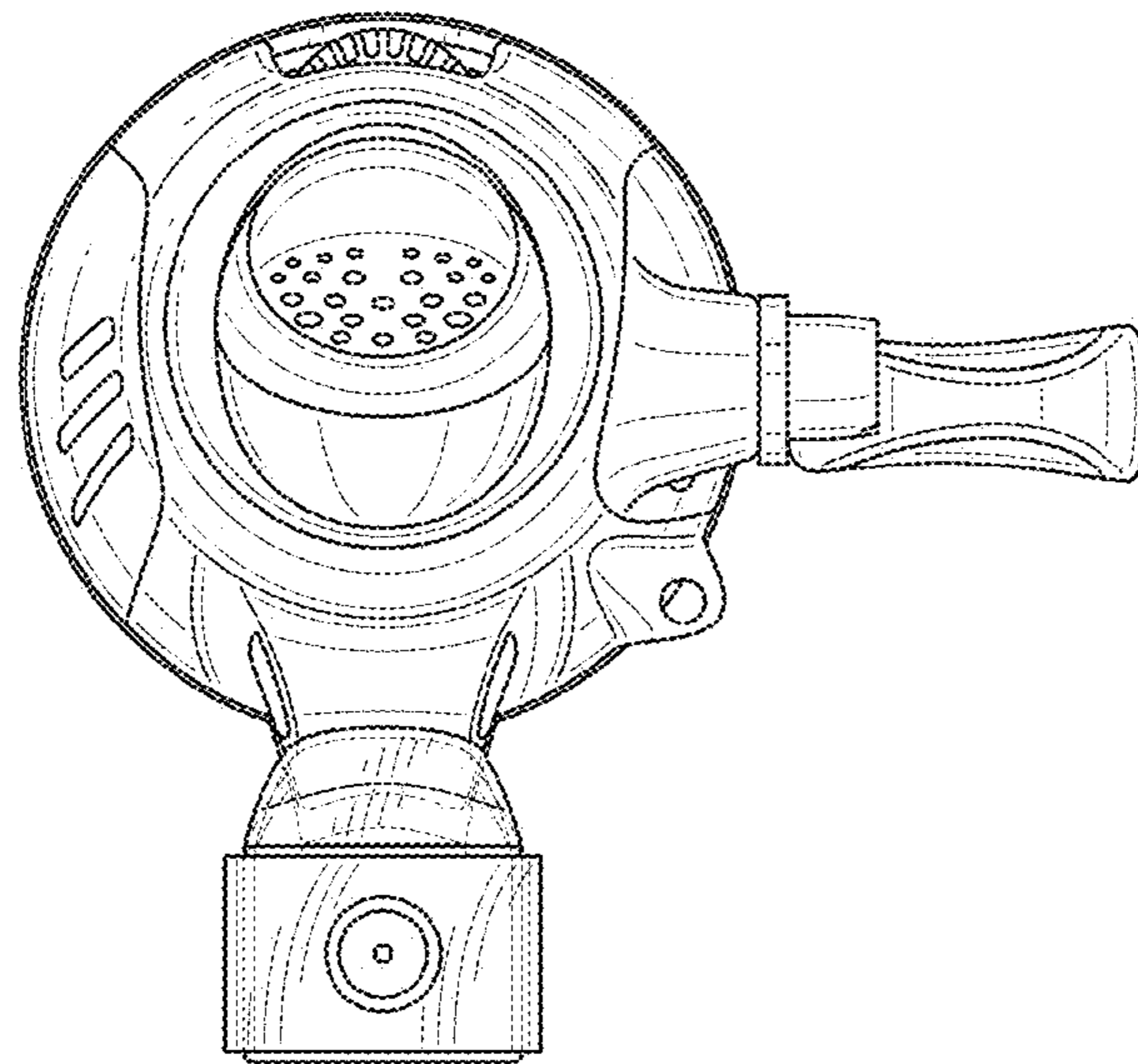


FIG. 7