



US00D741645S

(12) **United States Design Patent**  
**Lau**

(10) **Patent No.:** **US D741,645 S**  
(45) **Date of Patent:** **\*\* Oct. 27, 2015**

- (54) **IN-BOTTLE WINE AERATOR**
- (71) Applicant: **Wine Reveal, LLC**, San Luis Obispo, CA (US)
- (72) Inventor: **Michael H. Lau**, San Luis Obispo, CA (US)
- (73) Assignee: **WINE REVEAL, LLC**, San Luis Obispo, CA (US)
- (\*\*) Term: **14 Years**
- (21) Appl. No.: **29/498,689**

2,542,720	A *	2/1951	Soklaski	446/209
2,739,065	A *	3/1956	Hugin	426/104
2,980,302	A *	4/1961	Rasmussen	222/453
3,422,998	A *	1/1969	Murray	222/567
D217,330	S *	4/1970	Conry	D9/440
D229,826	S *	1/1974	Raptiis	D9/440
3,966,099	A *	6/1976	Sanford et al.	222/478
4,398,652	A *	8/1983	Ueda et al.	222/1
D331,348	S *	12/1992	Park	D9/434
D334,332	S *	3/1993	Massey	D8/107
5,791,529	A *	8/1998	Mukai	222/478
D398,838	S *	9/1998	Nielsen	D9/683
D418,417	S *	1/2000	Hollinger	D9/440
D429,630	S *	8/2000	Knight et al.	D9/683
D437,782	S *	2/2001	Haley et al.	D9/440

(Continued)

- (22) Filed: **Aug. 6, 2014**
- (51) **LOC (10) Cl.** ..... **07-01**
- (52) **U.S. Cl.**  
USPC ..... **D7/398**; D7/397; D9/440; D9/435; D9/436
- (58) **Field of Classification Search**  
USPC ..... D7/397, 398, 213, 313, 393, 395, 515, D7/539, 300.2, 619.1; D10/119.2, 68; 217/72, 98; 137/317, 318, 319; 222/145.7, 148, 113, 484, 569, 563, 222/479, 190; D2/909, 910, 911, 631; D11/30, 44, 48, 53, 81, 99, 101, 157, D11/160, 95; D21/313, 386, 396, 388, 414, D21/490, 594; D3/200, 203.1, 203.2, 203.4, D3/203.5, 204, 207, 208, 212, 266, 264, D3/215, 322; D9/439, 440, 435, 436, 447  
CPC ..... B25F 1/02; B25F 5/02; B25F 5/023; B25F 5/026; B65D 5/46; B65D 47/24; B65D 47/2093; F16K 23/00  
See application file for complete search history.

**FOREIGN PATENT DOCUMENTS**

CN	203283622	11/2013
WO	WO 2007-007127 A2	5/2007
WO	WO 2012-018667 A1	2/2012

*Primary Examiner* — Marianne Pandozzi

*Assistant Examiner* — Jae Liang

(74) *Attorney, Agent, or Firm* — Knobbe Martens Olson and Bear LLP

(57) **CLAIM**

The ornamental design for an in-bottle wine aerator, as shown and described.

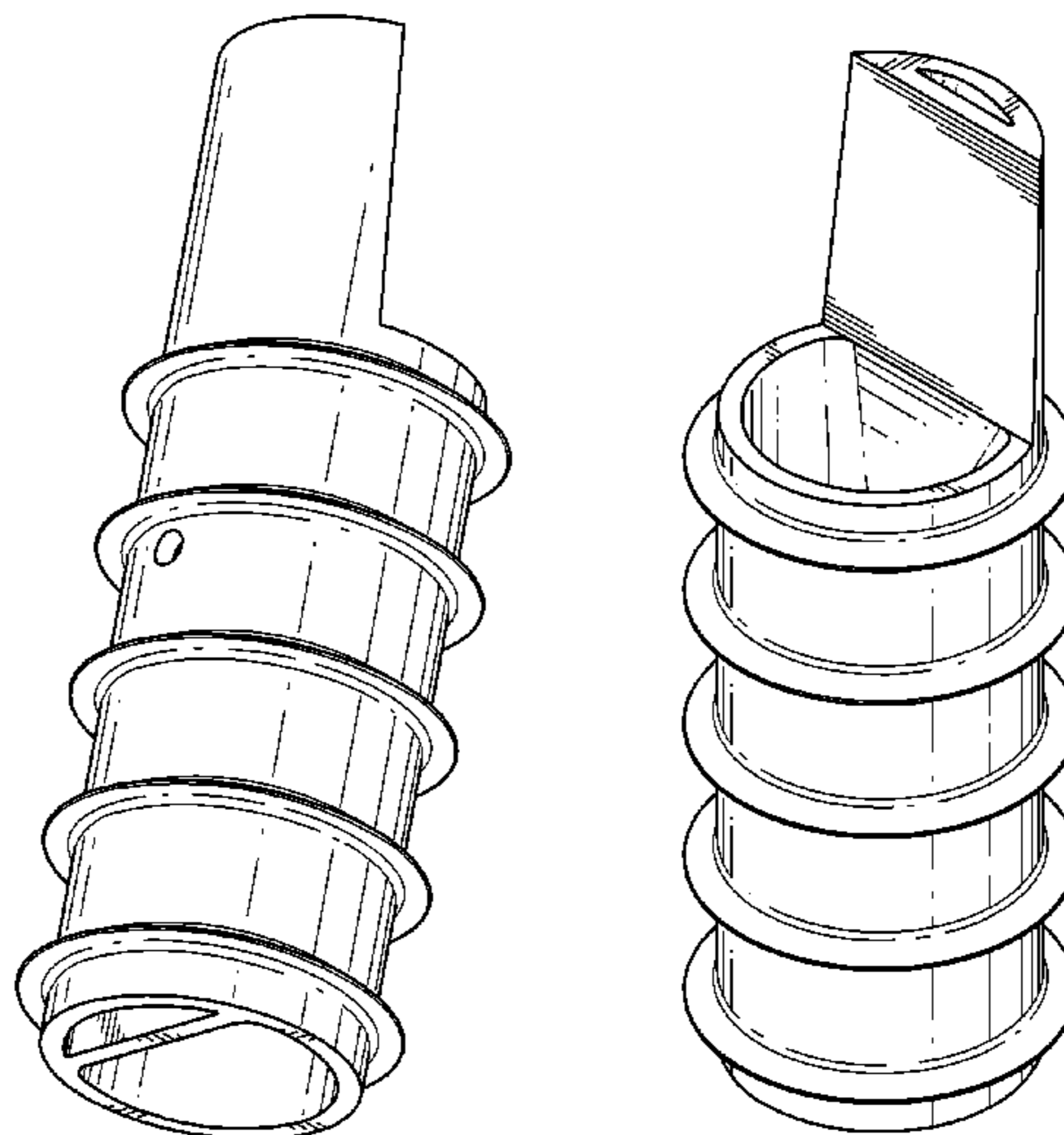
**DESCRIPTION**

FIG. 1 is a back perspective view showing the side and bottom of an in-bottle wine aerator showing my new design;  
 FIG. 2 is a front perspective view showing the side and top thereof;  
 FIG. 3 is a front view thereof;  
 FIG. 4 is a back view thereof;  
 FIG. 5 is a side view thereof;  
 FIG. 6 is a top view thereof; and,  
 FIG. 7 is a bottom view thereof.

**1 Claim, 4 Drawing Sheets**

(56) **References Cited**  
U.S. PATENT DOCUMENTS

D26,349	S	12/1896	Bean	
1,143,525	A *	6/1915	Ferris	222/484



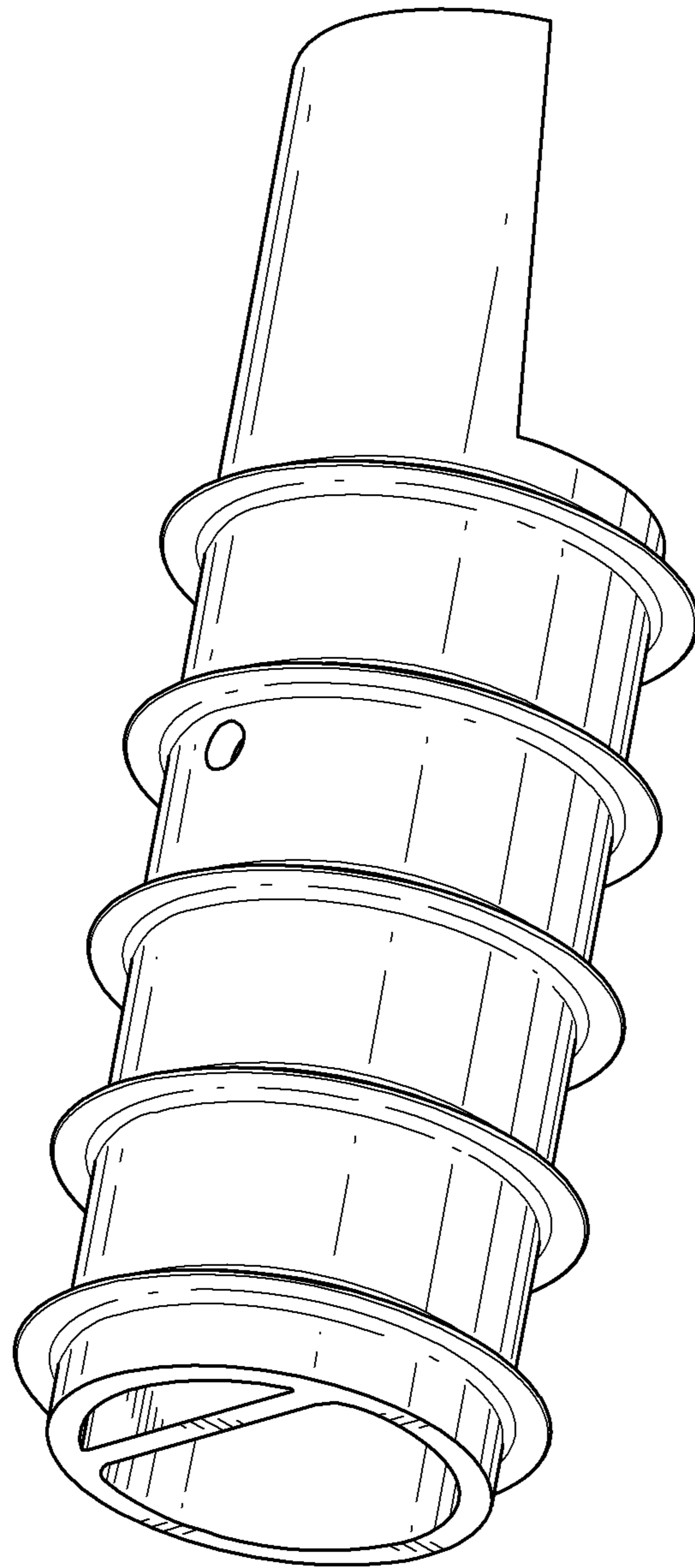
(56)

References Cited

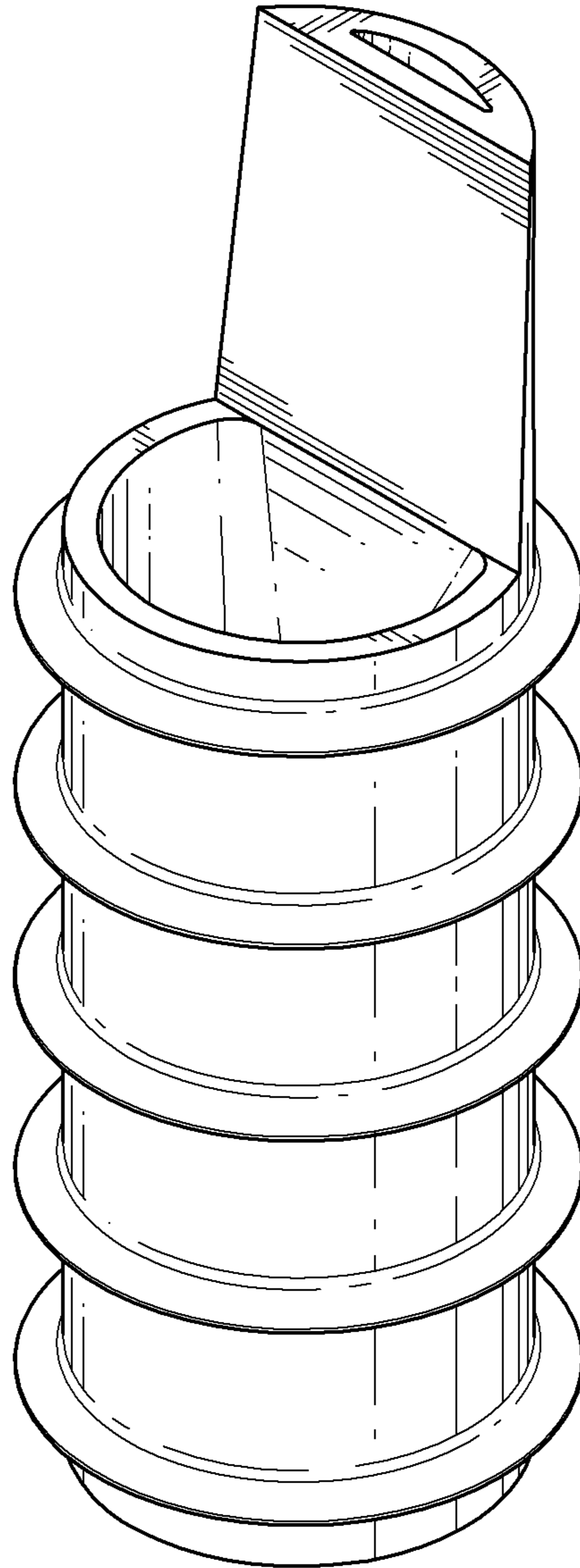
U.S. PATENT DOCUMENTS

6,382,475 B1	5/2002	Weikinger	
D474,689 S	5/2003	Dinsky	
6,568,660 B1	5/2003	Flanbaum	
D484,801 S *	1/2004	Pierce	D9/440
D487,227 S *	3/2004	Haley	D9/439
6,742,678 B1 *	6/2004	Krystopik, Jr.	222/481.5
D533,776 S *	12/2006	Allen et al.	D9/440
D562,627 S *	2/2008	McDonald	D7/398
D568,152 S	5/2008	Fetherston	
D578,390 S	10/2008	Green	
D587,524 S *	3/2009	Allen et al.	D7/398
D589,748 S *	4/2009	McDonald	D7/398
D591,594 S *	5/2009	Jalet	D9/440
D592,906 S *	5/2009	Allen et al.	D7/398
D597,789 S *	8/2009	McDonald	D7/398
D633,753 S *	3/2011	White	D7/398
D643,721 S *	8/2011	Blinn	D9/440
D658,984 S *	5/2012	Pauser et al.	D9/435
D678,768 S *	3/2013	Agassi et al.	D9/440
8,413,858 B2	4/2013	Rasmussen et al.	
D688,127 S *	8/2013	Agassi et al.	D9/440
D701,764 S *	4/2014	Brower et al.	D9/440
D702,493 S *	4/2014	Tang	D7/398
8,967,899 B1 *	3/2015	Chu et al.	401/195
D730,730 S *	6/2015	Haley et al.	D9/440
2005/0184026 A1 *	8/2005	Haley	215/306
2005/0194410 A1 *	9/2005	Pham	222/569
2006/0000855 A1 *	1/2006	Allen et al.	222/484
2008/0290062 A1	11/2008	Luzaich et al.	
2010/0058933 A1	3/2010	Cheng	
2012/0074092 A1	3/2012	Devoy et al.	
2012/0111893 A1	5/2012	Luebke	
2012/0156345 A1	6/2012	Agarwal et al.	
2013/0051174 A1	2/2013	Tsai et al.	

\* cited by examiner



*FIG. 1*



*FIG. 2*

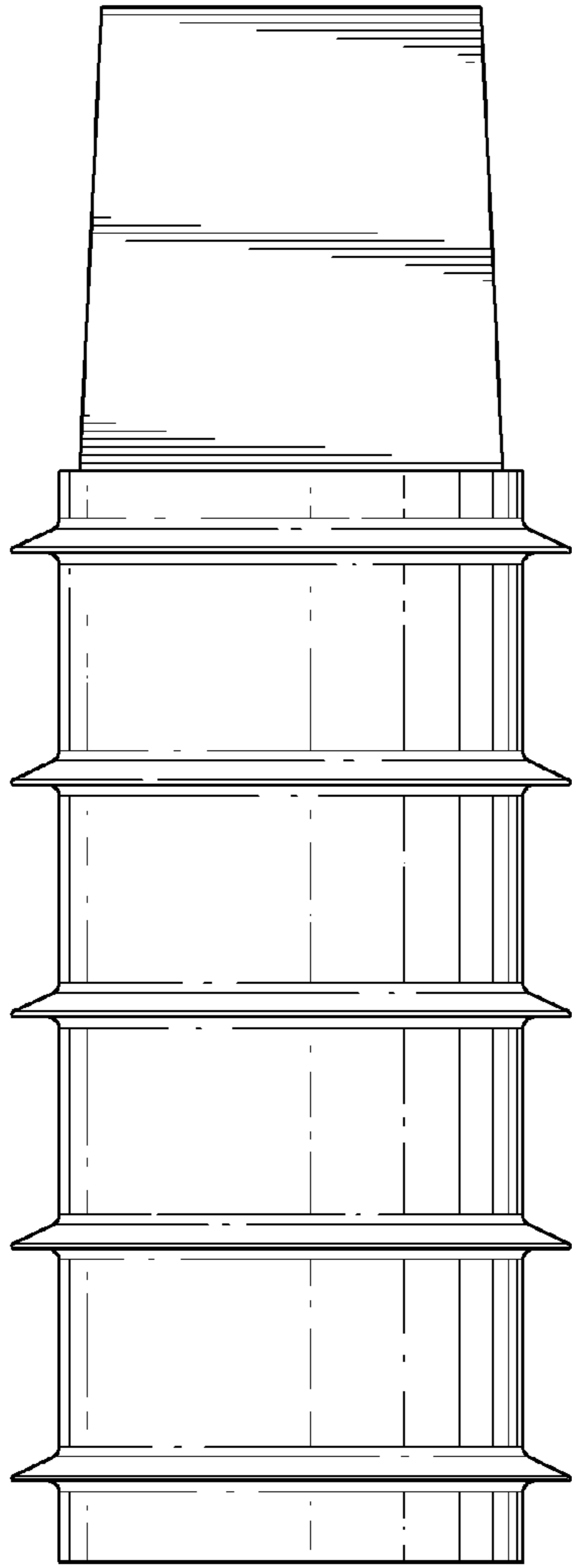


FIG. 3

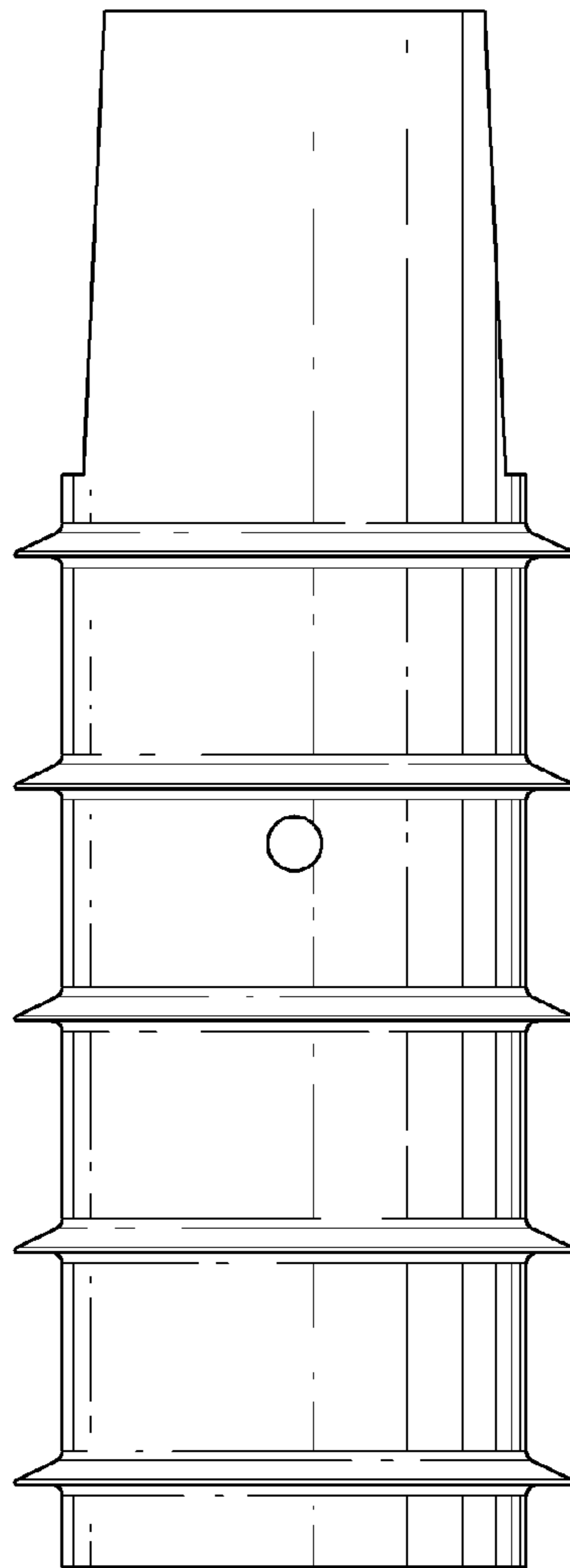


FIG. 4

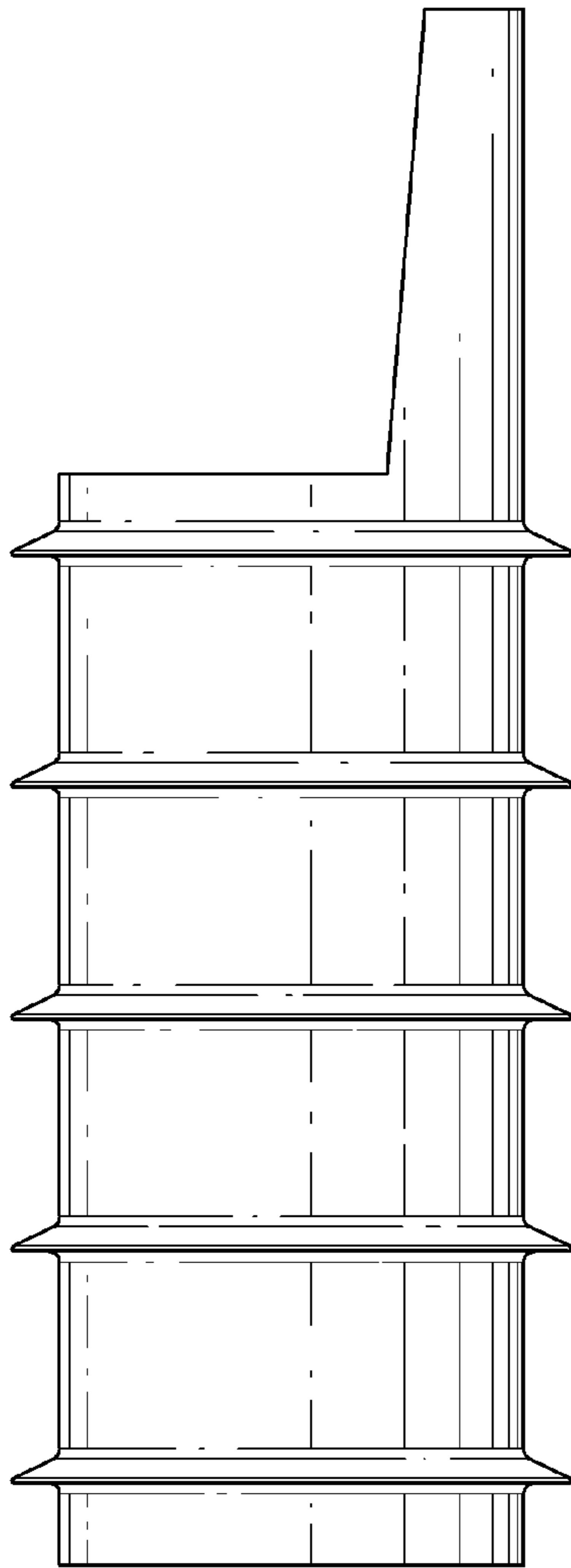


FIG. 5

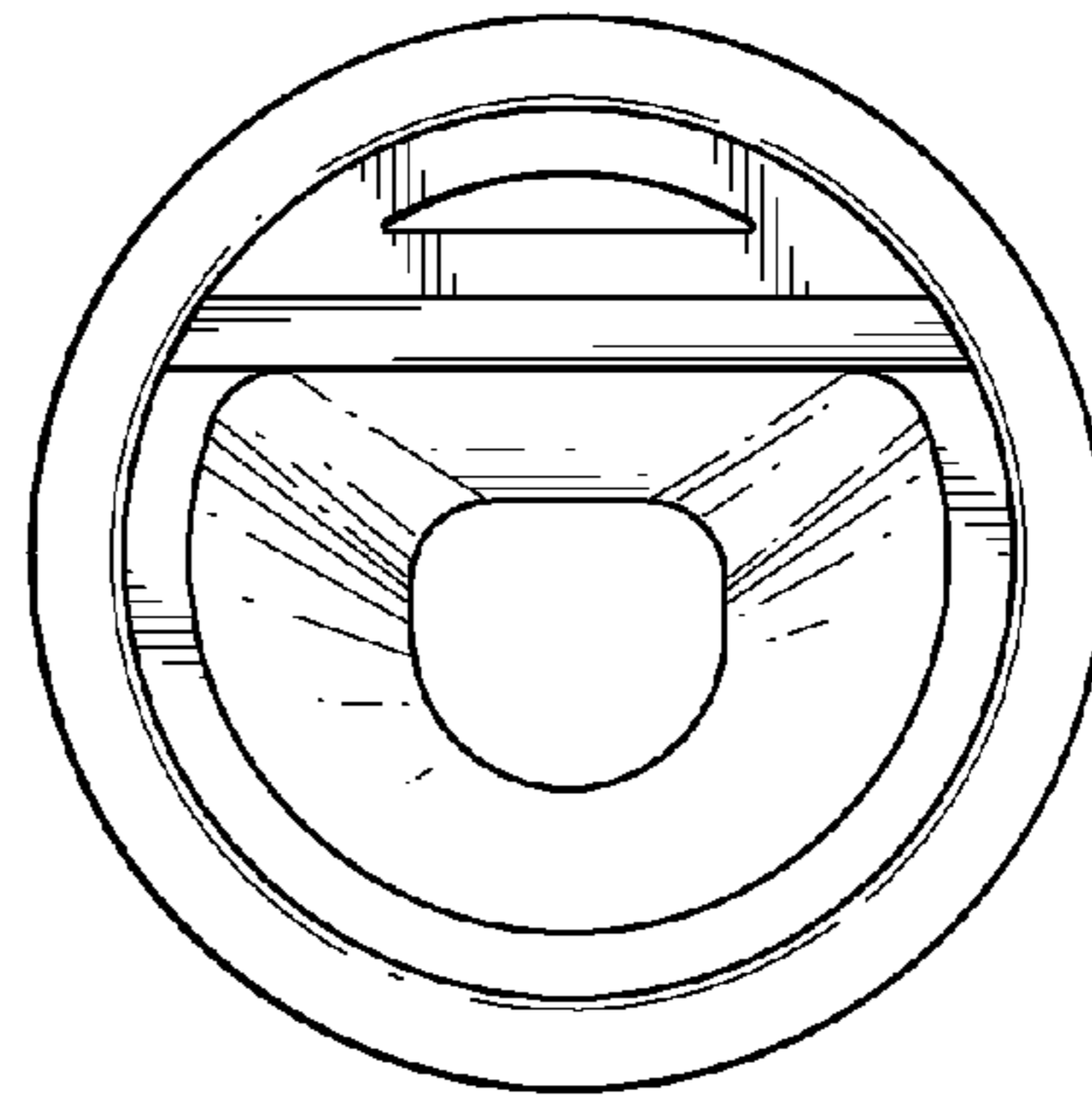


FIG. 6

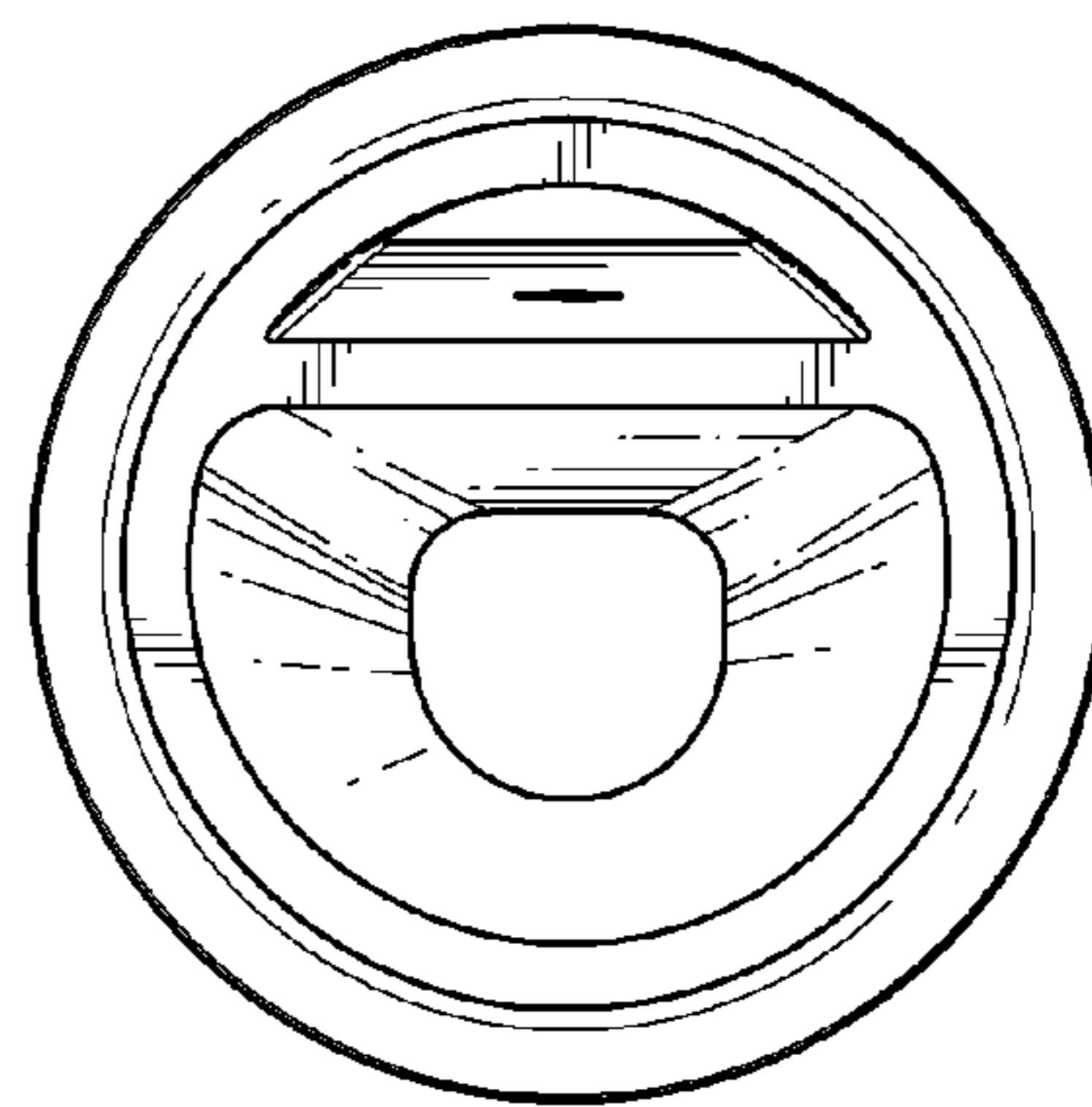


FIG. 7