



US00D741644S

(12) **United States Design Patent**
Yoder et al.

(10) **Patent No.:** **US D741,644 S**
(45) **Date of Patent:** **** Oct. 27, 2015**

(54) **TAP HANDLE**

(71) Applicant: **ANHEUSER-BUSCH INBEV S.A.**,
Brussels (BE)

(72) Inventors: **Nicole Yoder**, St. Louis, MO (US); **Ryan Levesque**, Norwalk, CT (US); **Joseph Pilcavage**, Norwalk, CT (US)

(73) Assignee: **Anheuser-Busch Inbev S.A.**, Brussels (BE)

(**) Term: **14 Years**

(21) Appl. No.: **29/496,137**

(22) Filed: **Jul. 9, 2014**

(51) **LOC (10) Cl.** **07-99**

(52) **U.S. Cl.**
USPC **D7/398; D7/397**

(58) **Field of Classification Search**
USPC D7/302, 301, 395, 393, 397, 306;
D9/645; 222/400.8, 400.7; 362/183;
40/332
CPC B65D 86/16; D67D 1/06; D67D 1/0086
See application file for complete search history.

(56) **References Cited**

U.S. PATENT DOCUMENTS

5,412,547 A * 5/1995 Hornblad et al. 362/183
5,491,617 A * 2/1996 Currie 362/96

D411,710 S * 6/1999 Watters et al. D7/398
D450,974 S * 11/2001 Scullion et al. D7/306
D610,403 S * 2/2010 Russell D7/397
D690,155 S * 9/2013 Rupp D7/398
D713,682 S * 9/2014 Morse D7/397
D731,838 S * 6/2015 Kitano et al. D7/306

* cited by examiner

Primary Examiner — Marianne Pandozzi

(74) *Attorney, Agent, or Firm* — Holland & Hart LLP

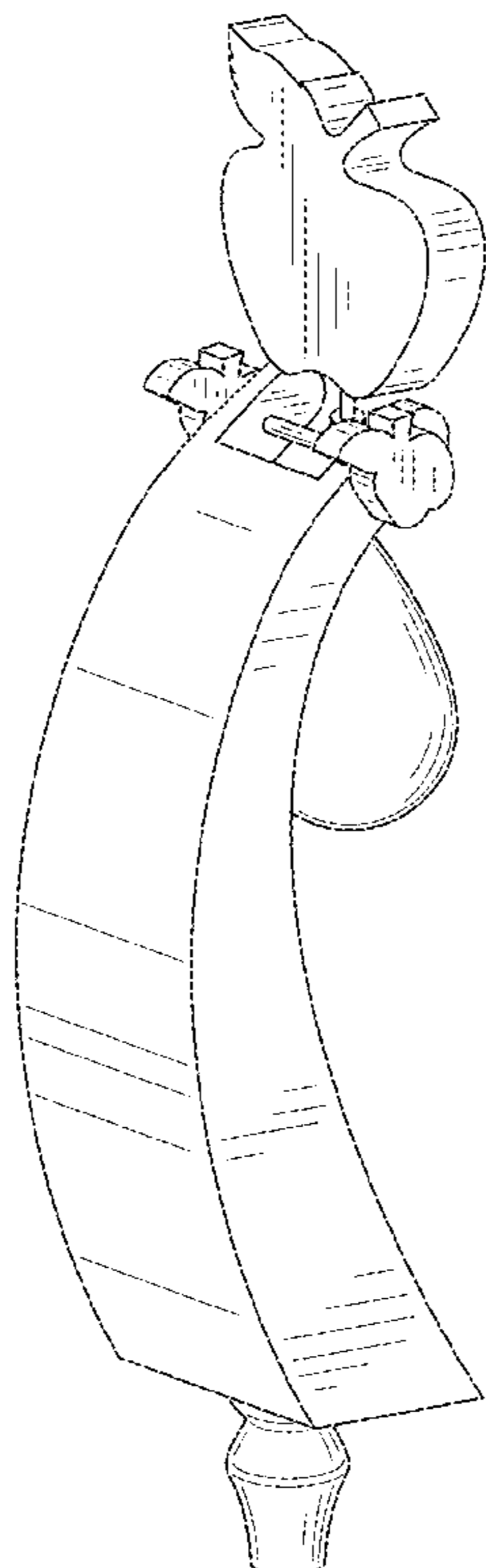
(57) **CLAIM**

The ornamental design for a tap handle, as shown and described.

DESCRIPTION

FIG. 1 is a perspective view of the tap handle, showing our new design;
FIG. 2 is a rear elevation view of the design illustrated in FIG. 1;
FIG. 3 is a front elevation view of the design illustrated in FIG. 1;
FIG. 4 is a left side elevation view of the design illustrated in FIG. 1;
FIG. 5 is a right side elevation view of the design illustrated in FIG. 1;
FIG. 6 is a top plan view of the design illustrated in FIG. 1; and,
FIG. 7 is a bottom plan view of the design illustrated in FIG. 1.

1 Claim, 6 Drawing Sheets



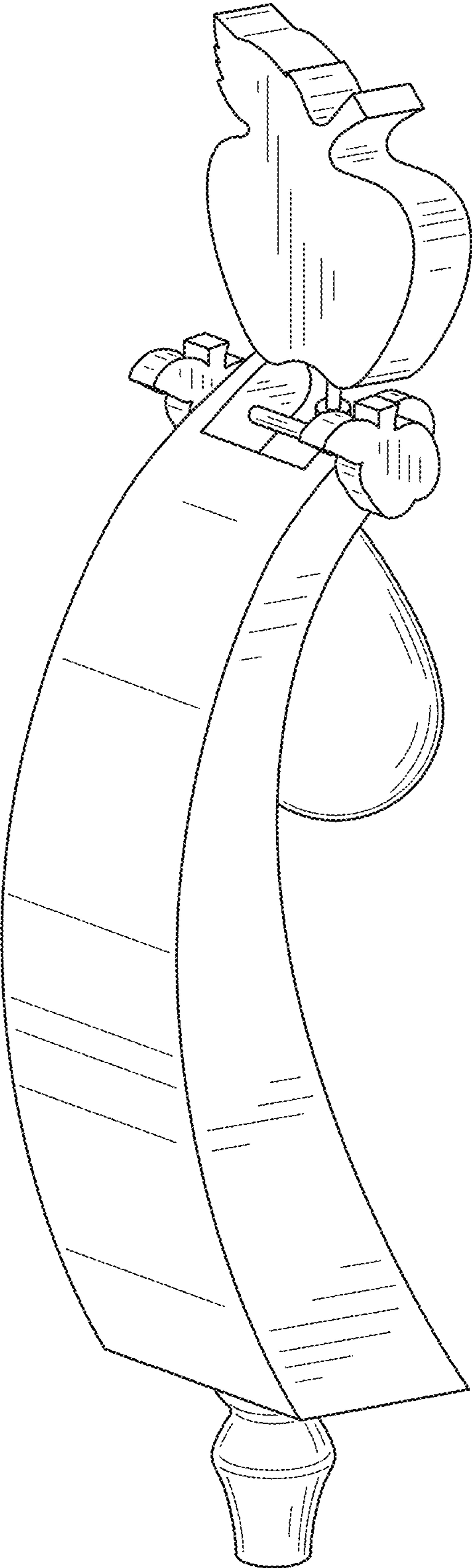


FIG. 1

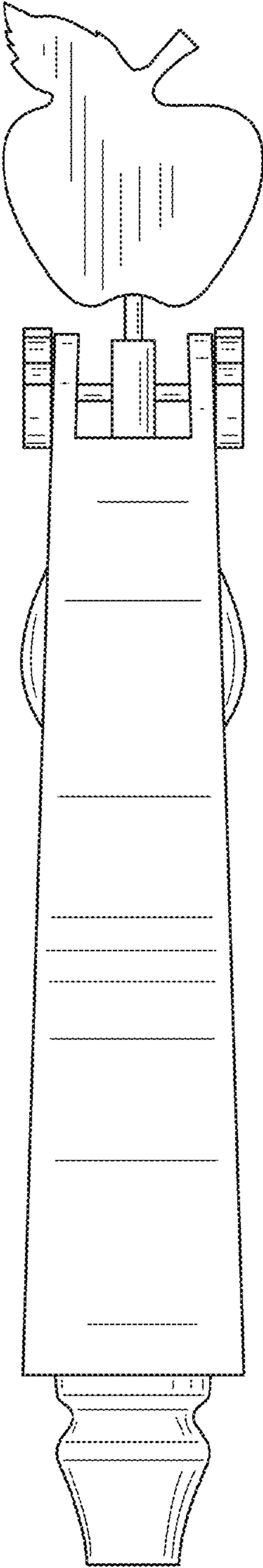


FIG.2

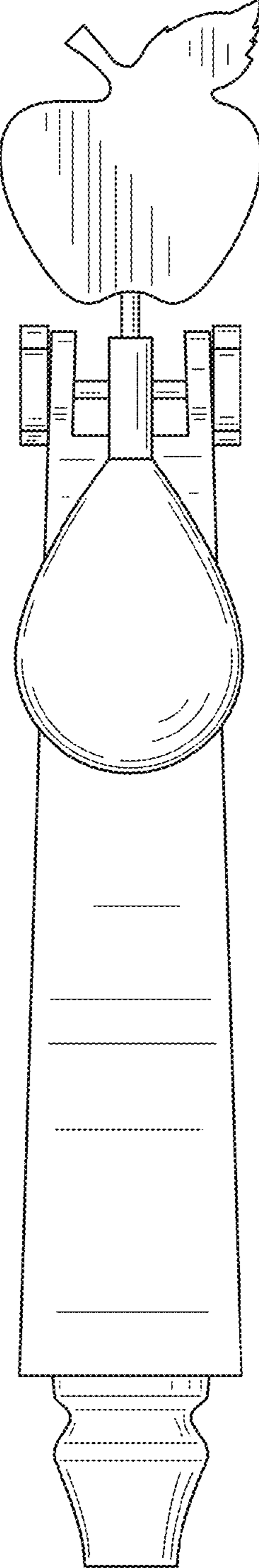


FIG.3

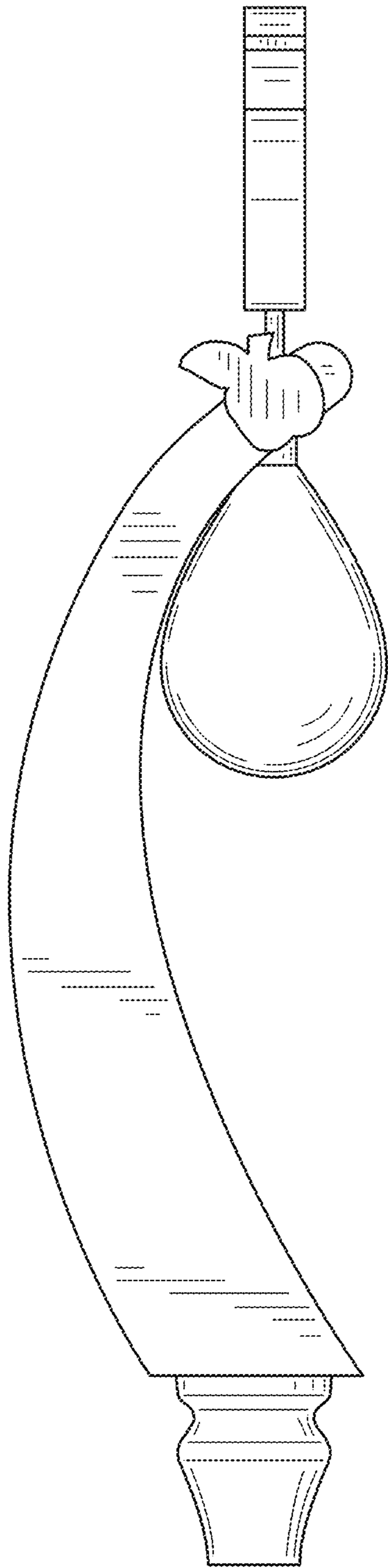


FIG.4

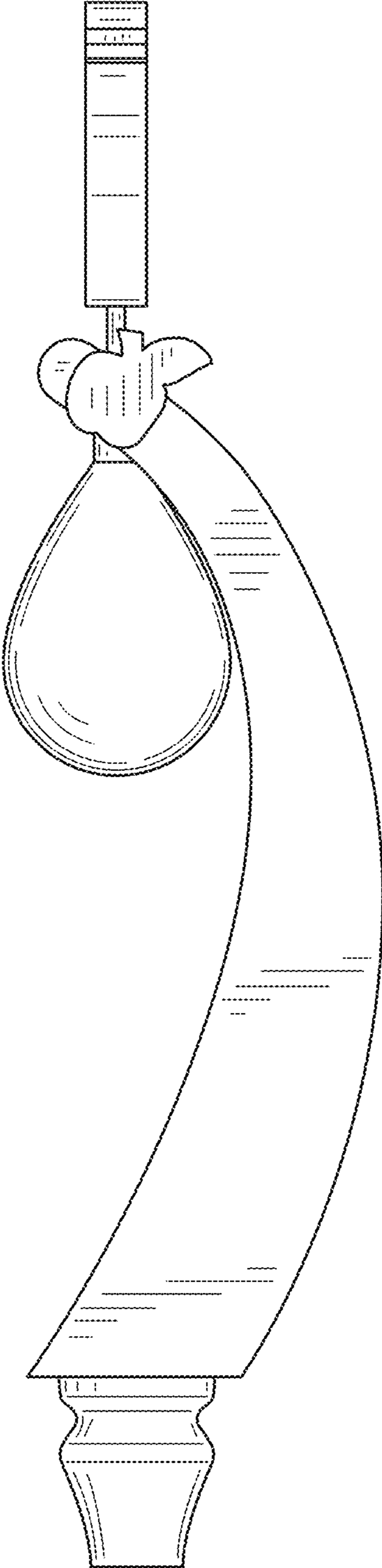


FIG.5

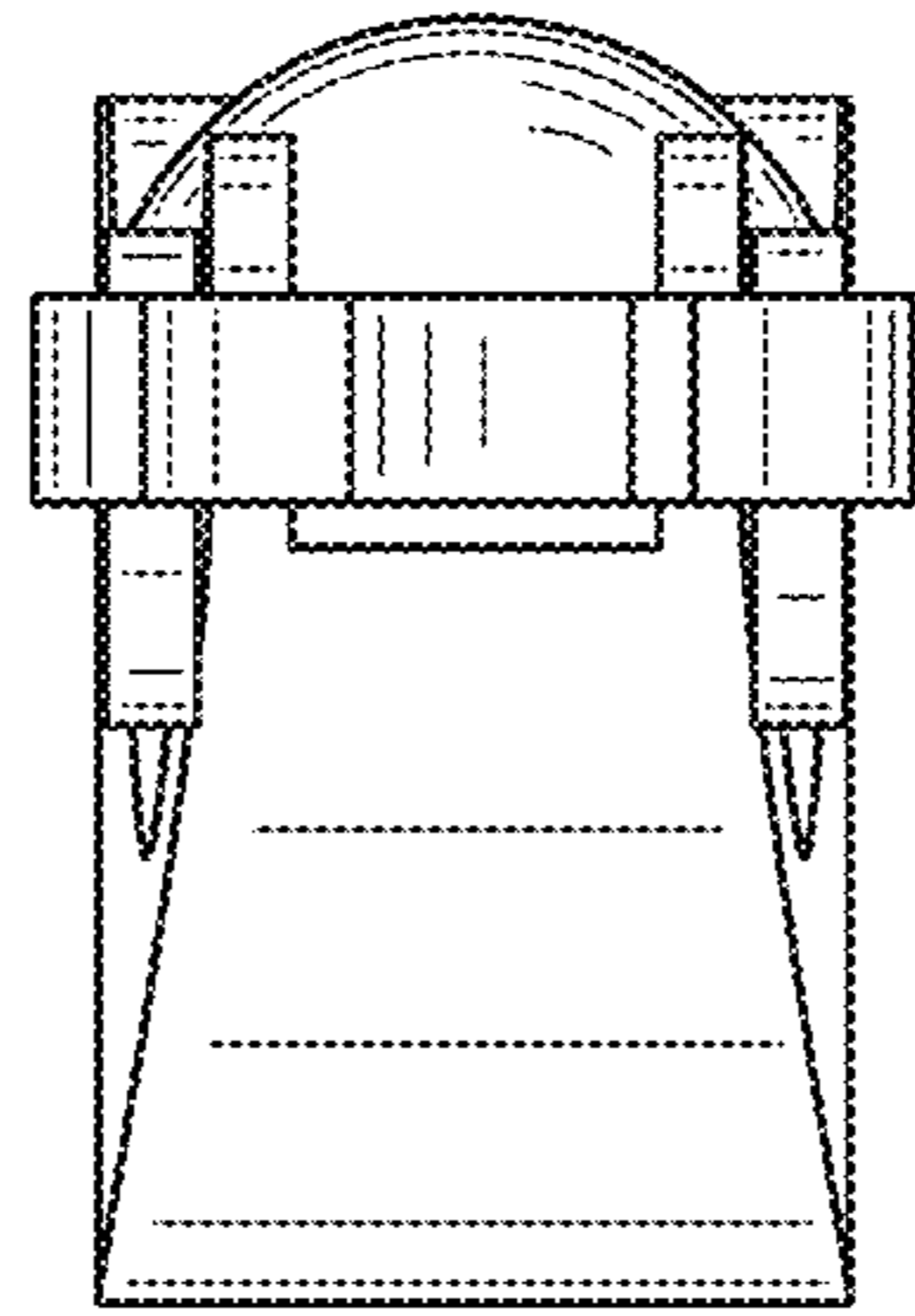


FIG. 6

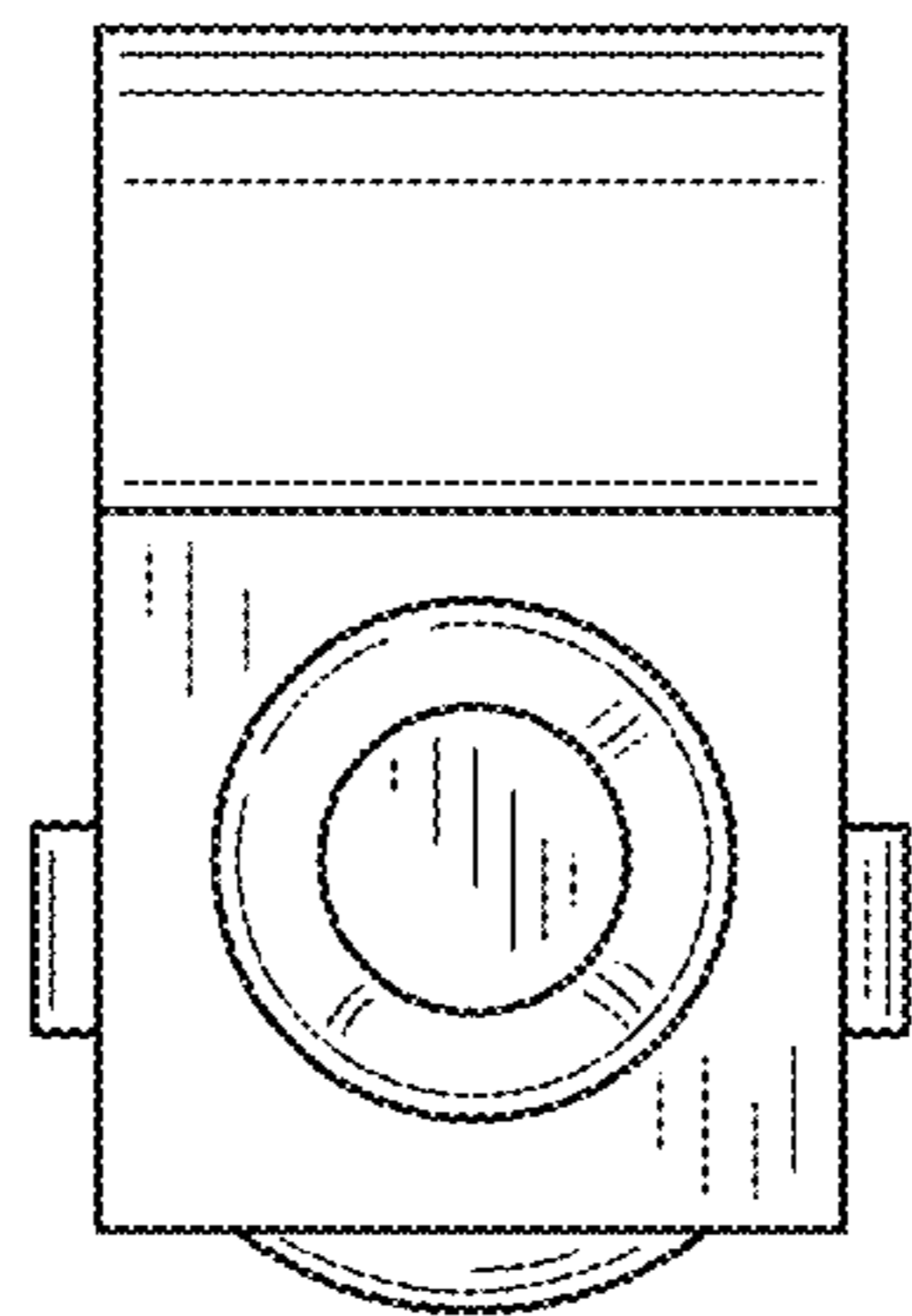


FIG. 7