



US00D741642S

(12) **United States Design Patent**
Yessin et al.

(10) **Patent No.:** **US D741,642 S**
(45) **Date of Patent:** **** Oct. 27, 2015**

- (54) **COVER FOR LIQUID DISPENSER**
- (71) Applicant: **Dart Industries Inc.**, Orlando, FL (US)
- (72) Inventors: **Julie L. Yessin**, Orlando, FL (US);
Jan-Hendrik de Groote, Brussels (BE)
- (73) Assignee: **Dart Industries Inc.**, Orlando, FL (US)
- (**) Term: **14 Years**
- (21) Appl. No.: **29/483,433**
- (22) Filed: **Feb. 28, 2014**
- (51) **LOC (10) CI.** **07-02**
- (52) **U.S. CI.**
USPC **D7/392**; D9/449
- (58) **Field of Classification Search**
USPC D7/391, 392, 392.1, 393, 397, 538, 602,
D7/629, 705; D9/424, 428, 430, 432, 435,
D9/443, 449, 452, 453, 504, 711, 715;
220/212, 213, 231, 260, 287, 305, 574,
220/660, 675, 700, 781, 782, 783, 790, 791,
220/794; 215/10, 390, 391; 222/465.1,
222/475.1
CPC A47J 36/06
See application file for complete search history.

(56) **References Cited**

U.S. PATENT DOCUMENTS

- D167,142 S * 7/1952 Goldrosen D7/392
- D170,840 S 11/1953 Tupper
- D180,049 S 4/1957 Tupper
- D198,272 S 5/1964 Swett
- D199,505 S 11/1964 Swett
- 3,297,208 A 1/1967 Swett
- D208,935 S 10/1967 Marien et al.
- D209,074 S 10/1967 Swett
- 3,820,692 A 6/1974 Swett et al.
- D233,116 S * 10/1974 Swett D7/300.1

- D247,848 S 5/1978 Croyle
- D277,724 S 2/1985 Daenen et al.
- D278,115 S 3/1985 Leininger

(Continued)

OTHER PUBLICATIONS

“Just Right”. Found online Jul. 17, 2015 at gogreenhk.wordpress.com. Page dated Oct. 1, 2013. Retrieved from <https://gogreenhk.wordpress.com/2013/10/01/just-right/>.*

(Continued)

Primary Examiner — Robert M Spear
Assistant Examiner — Kendra L Hamilton
(74) *Attorney, Agent, or Firm* — Taylor J. Ross

(57) **CLAIM**

The ornamental design for a cover for liquid dispenser, as shown and described.

DESCRIPTION

This application is related to co-pending Ser. No. 29/483,438, which is incorporated by reference herein.

FIG. 1 is a top, side and front perspective view of a cover for liquid dispenser in the closed position showing our new design;

FIG. 2 is a top plan view thereof;

FIG. 3 is a bottom plan view thereof;

FIG. 4 is a front elevation view thereof;

FIG. 5 is a rear elevation view thereof;

FIG. 6 is a left side elevation view, the right side being a mirror image thereof;

FIG. 7 is a cross-sectional view taken along line 7-7 of FIG. 2;

FIG. 8 is a top, side and front perspective view of a cover for liquid dispenser in the open position showing our new design;

FIG. 9 is a top plan view thereof;

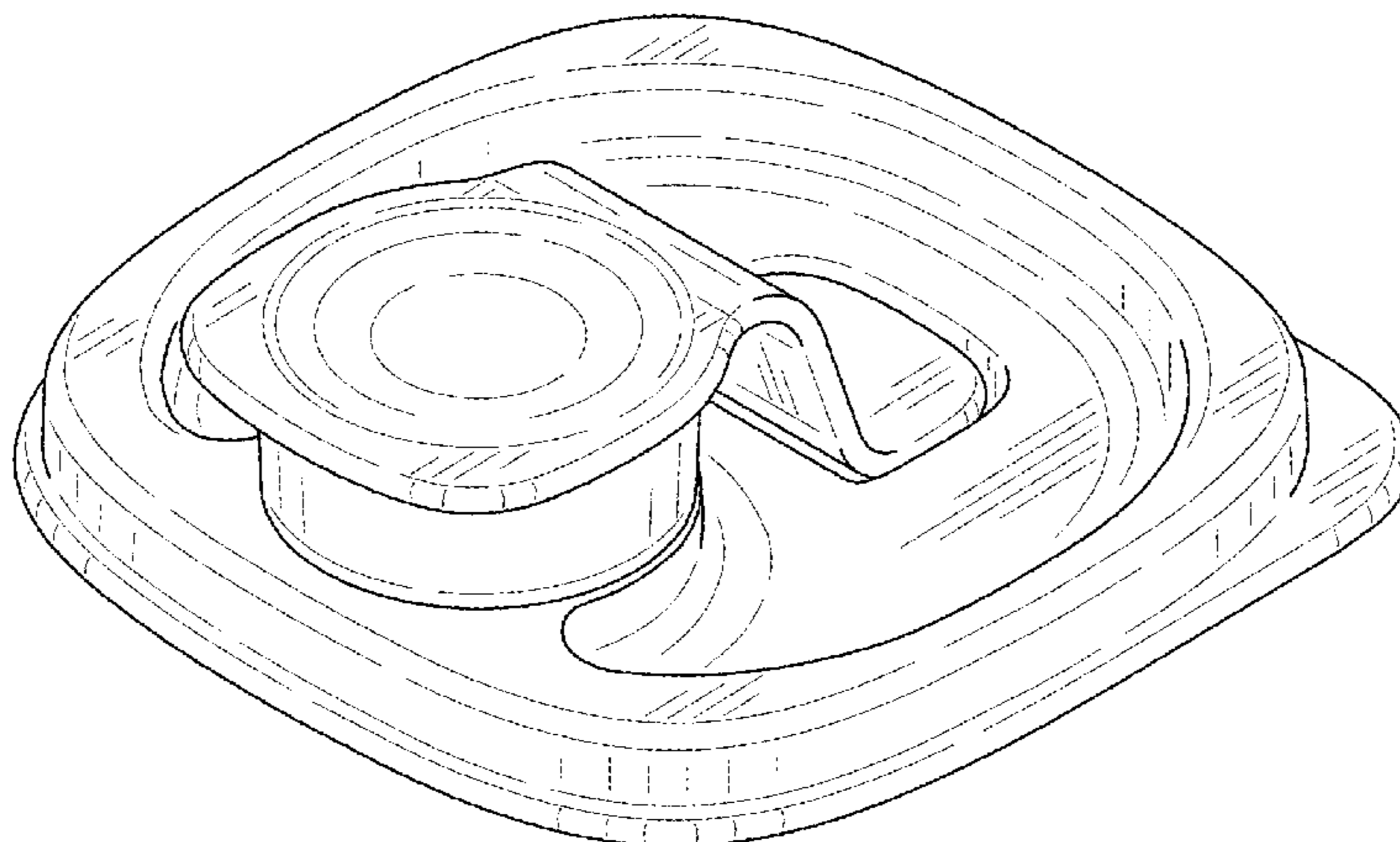
FIG. 10 is a bottom plan view thereof;

FIG. 11 is a front elevation view thereof;

FIG. 12 is a rear elevation view thereof; and,

FIG. 13 is a left side elevation view, the right side being a mirror image thereof.

1 Claim, 6 Drawing Sheets



(56)

References Cited

U.S. PATENT DOCUMENTS

D314,708 S 2/1991 DeCoster
D421,547 S 3/2000 Demers
6,068,153 A * 5/2000 Young et al. 220/254.3
D428,763 S 8/2000 Hashimoto
D482,936 S 12/2003 Miller et al.
D506,639 S 6/2005 Jalet
D510,235 S * 10/2005 Sorensen D7/510
D532,650 S 11/2006 de Groote
D545,619 S 7/2007 Jalet
D552,929 S 10/2007 de Groote
D595,085 S * 6/2009 Carlson D7/392
D609,092 S 2/2010 Laib et al.
D640,555 S * 6/2011 Williams et al. D9/449

D644,065 S * 8/2011 Llerena D7/510
D646,919 S * 10/2011 Nilsson D7/300.1
D656,357 S * 3/2012 Enghard D7/300.1
D683,575 S * 6/2013 Devlin D7/300.1
D699,996 S 2/2014 De Leo
D702,489 S * 4/2014 Steel et al. D7/392.1
D714,584 S * 10/2014 Boroski D7/392
D726,476 S * 4/2015 Ercanbrack D7/300.1

OTHER PUBLICATIONS

“Tupperware 13-Cup Cereal Storer, Black”. Found online Jul. 17, 2015 at amazon.com. Page dated Dec. 8, 2001. Retrieved from http://www.amazon.com/Tupperware-13-Cup-Cereal-Storer-Black/dp/B00005S6J0/ref=cm_cr_pr_product_top?ie=UTF8.*

* cited by examiner

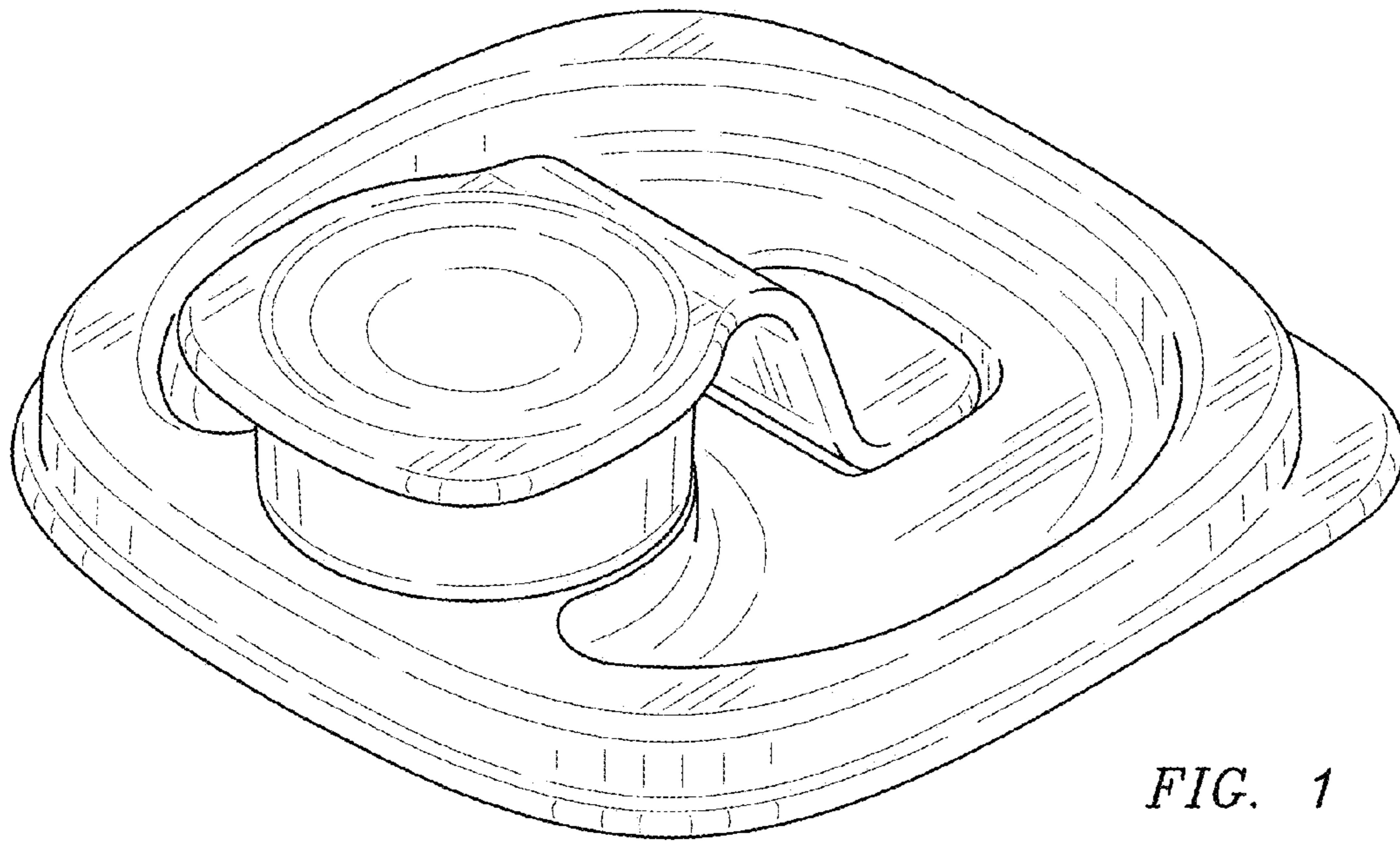


FIG. 1

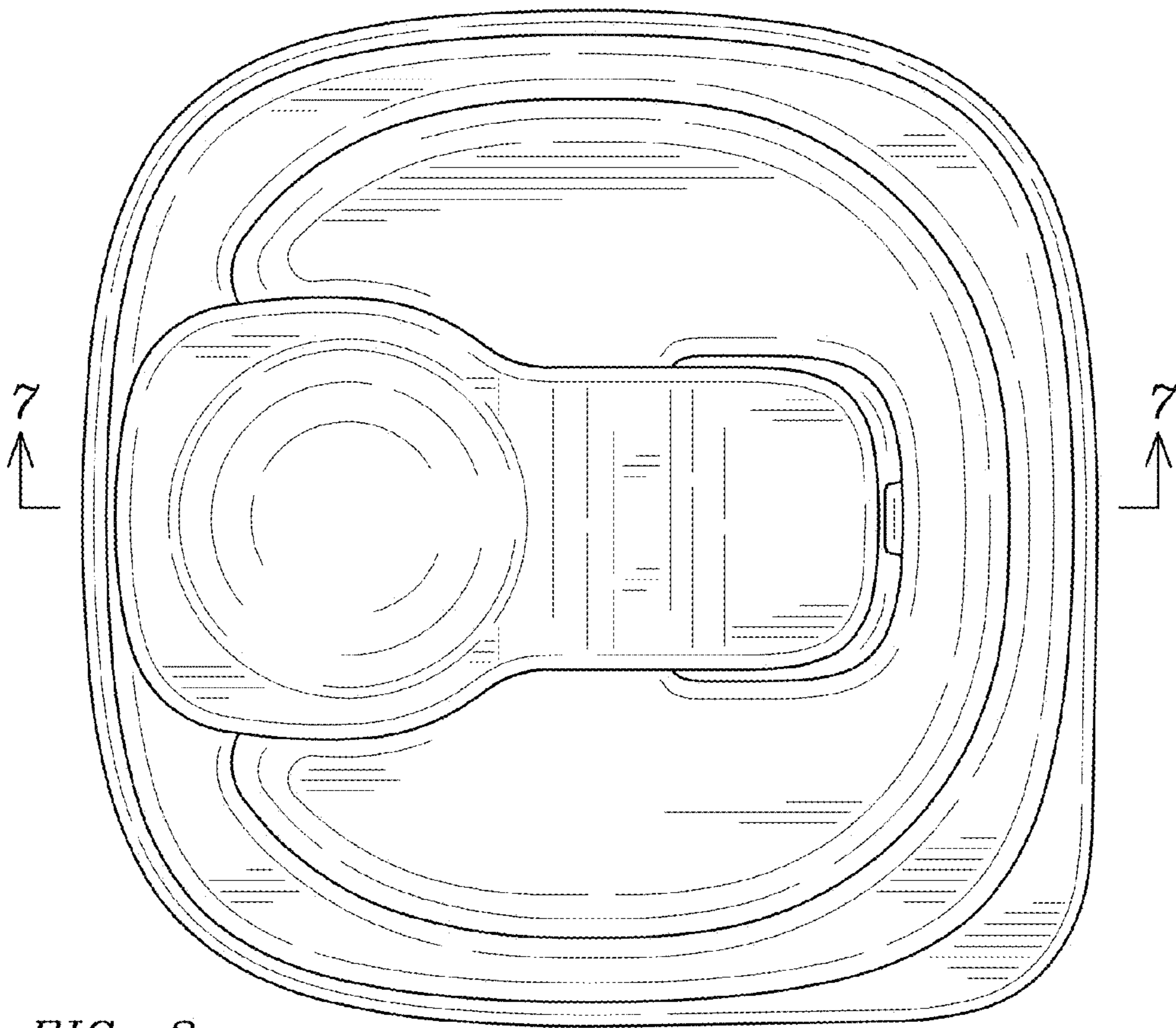


FIG. 2

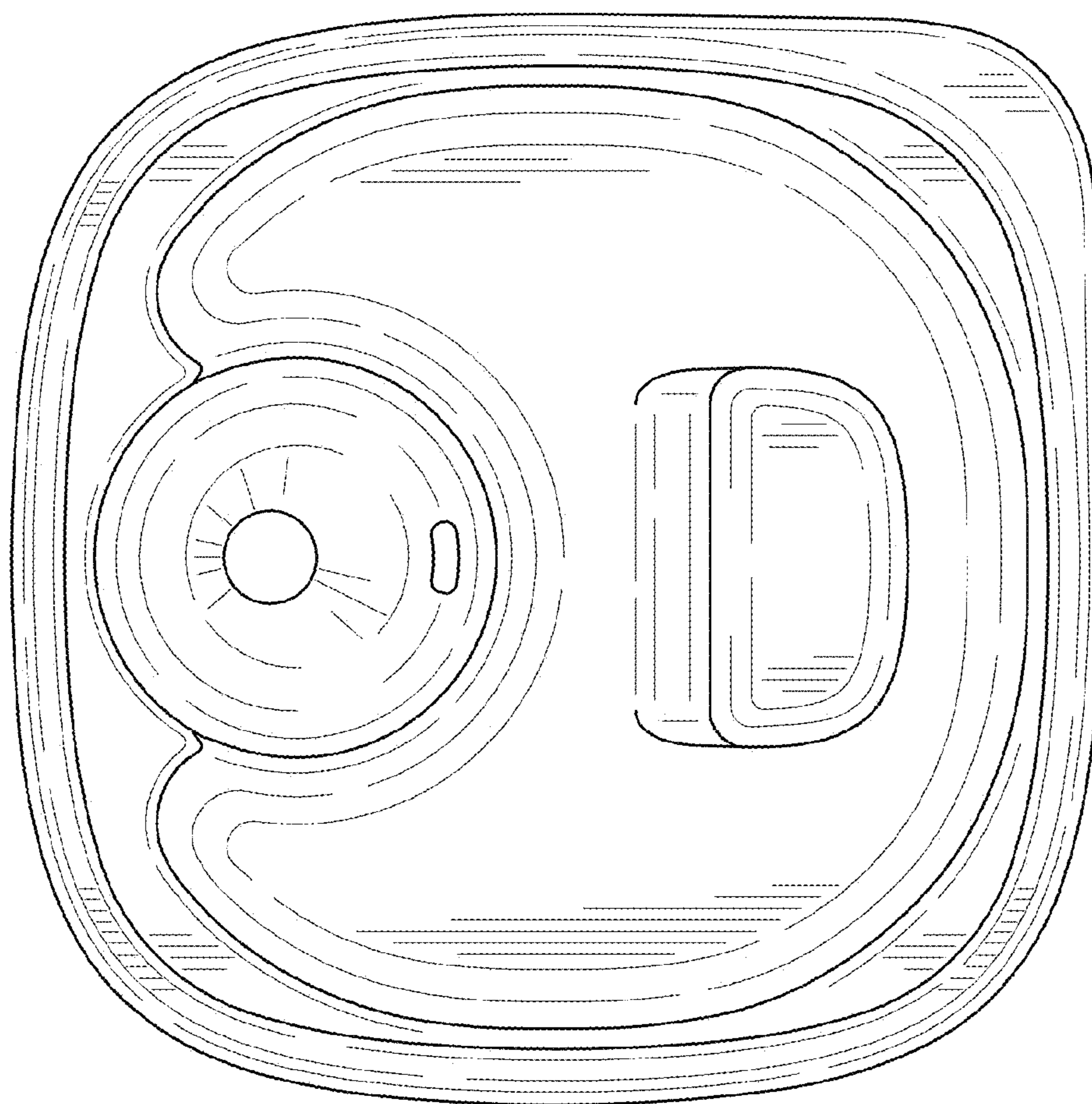


FIG. 3

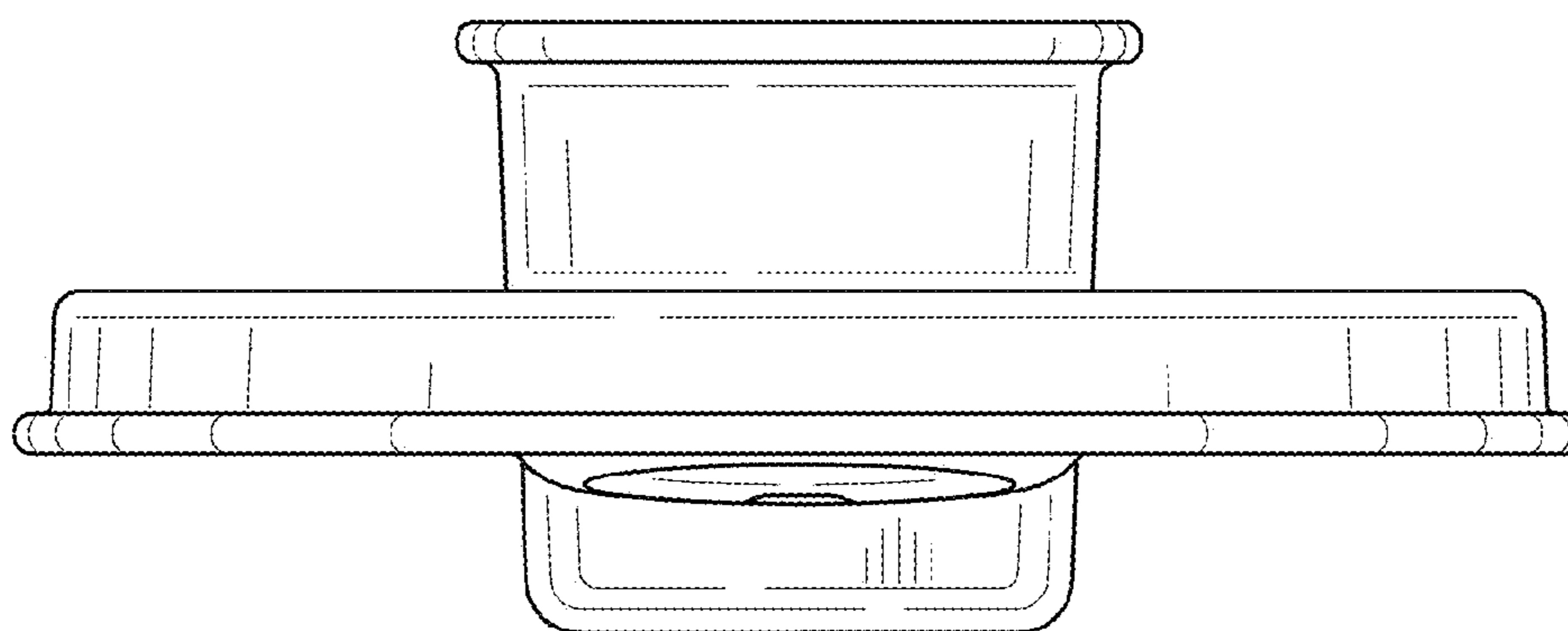


FIG. 4

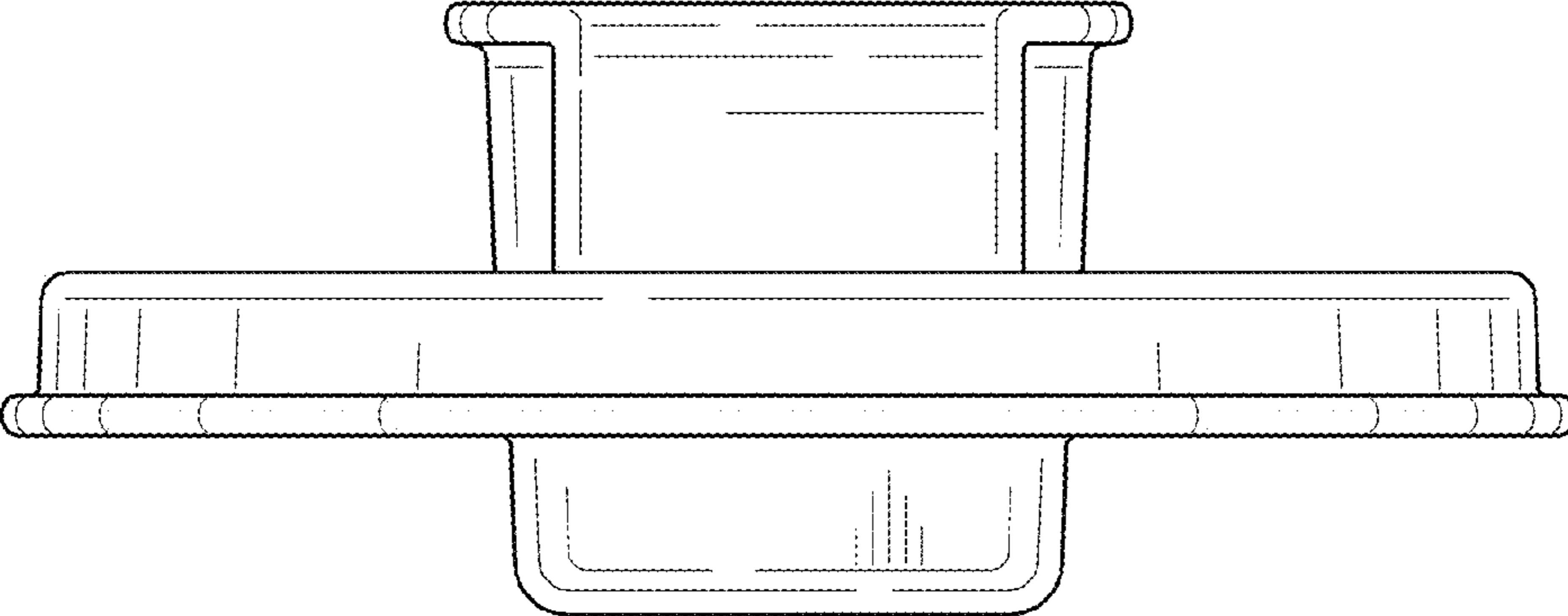


FIG. 5

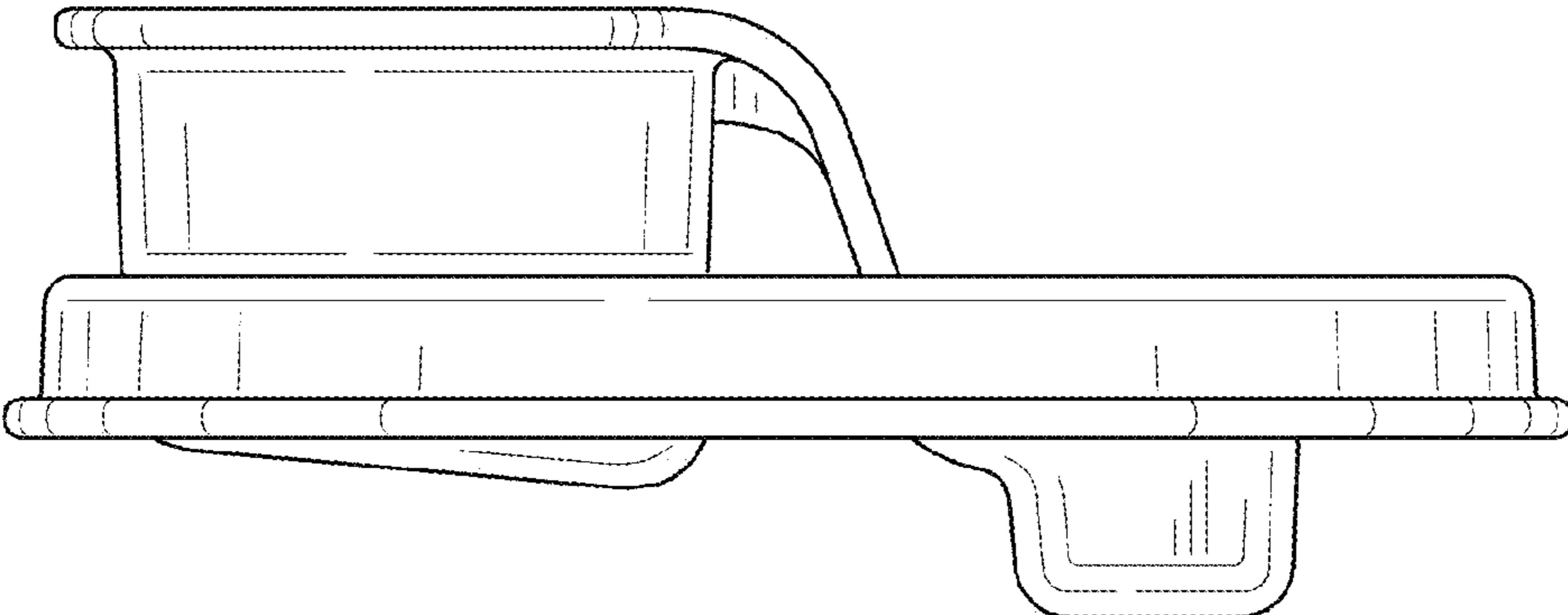


FIG. 6

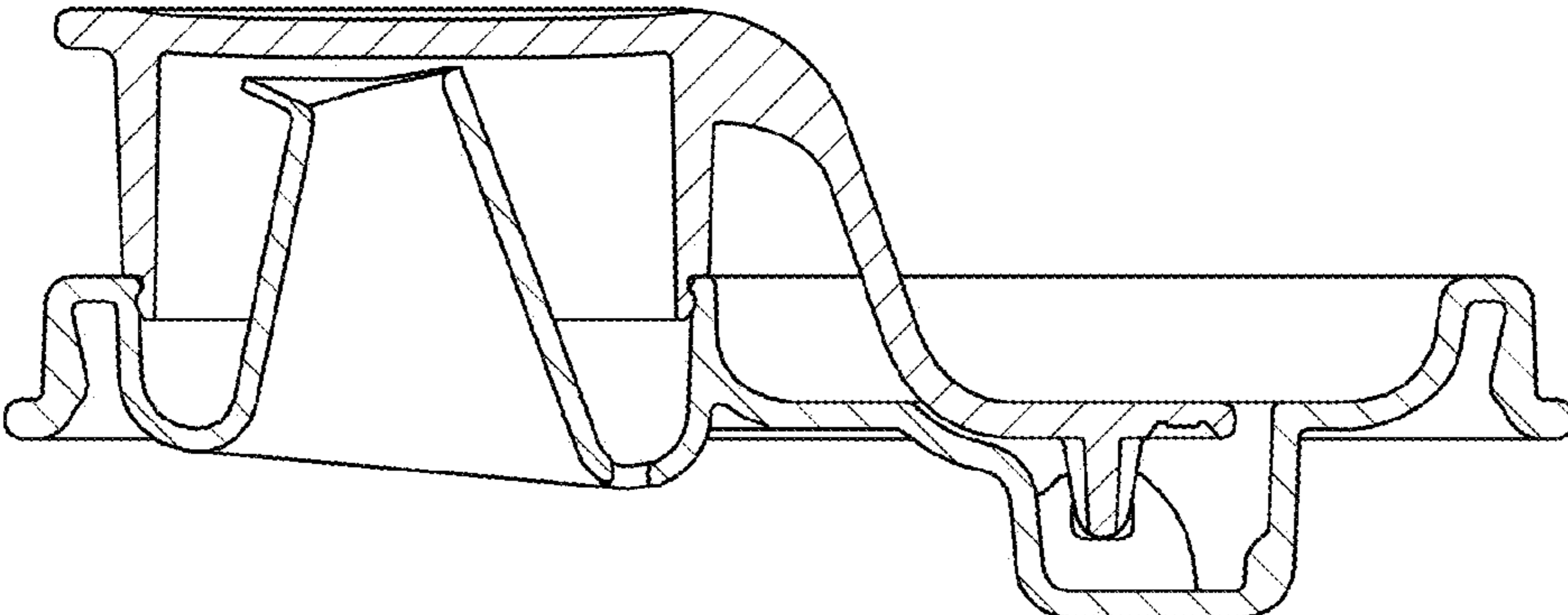


FIG. 7

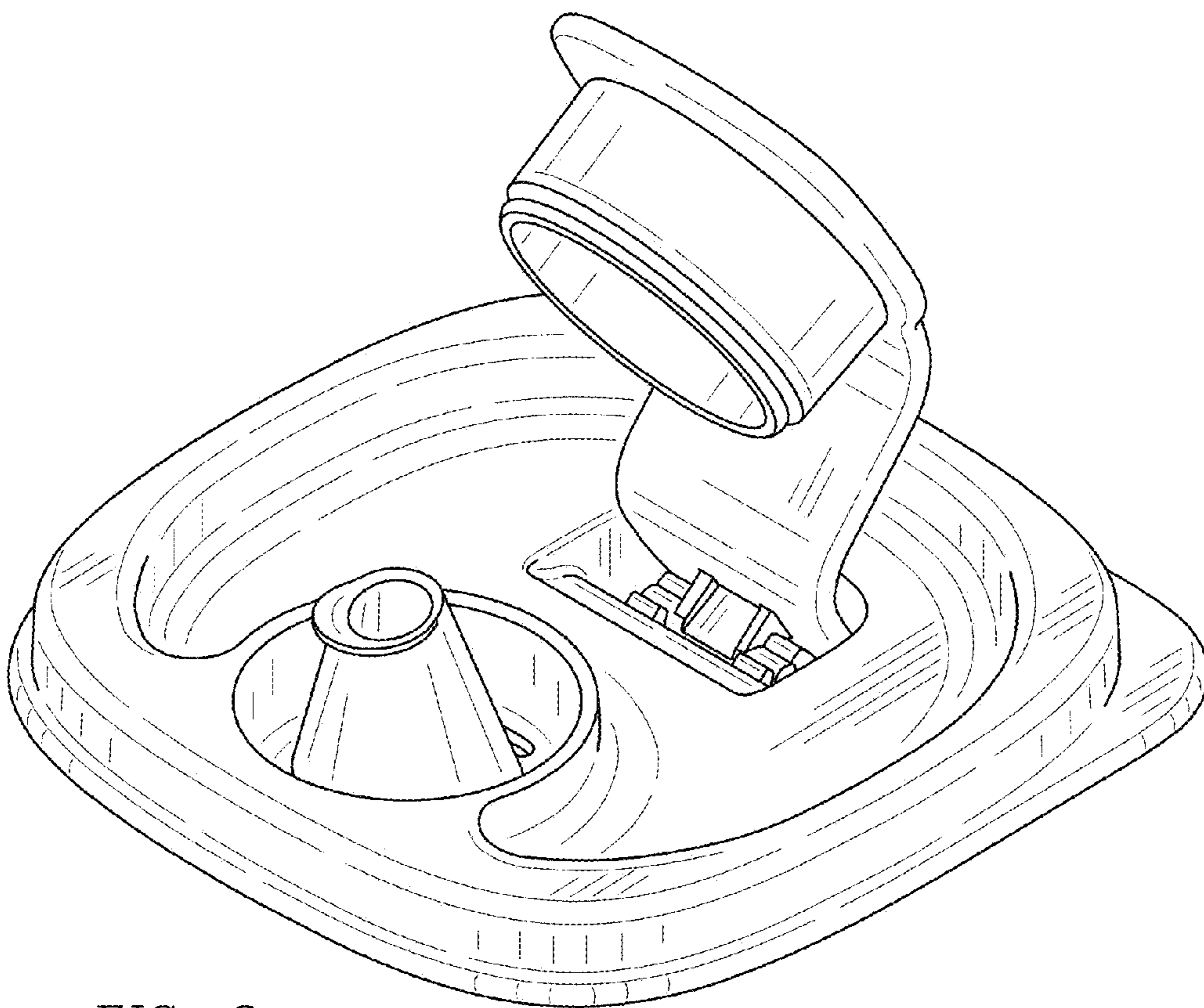


FIG. 8

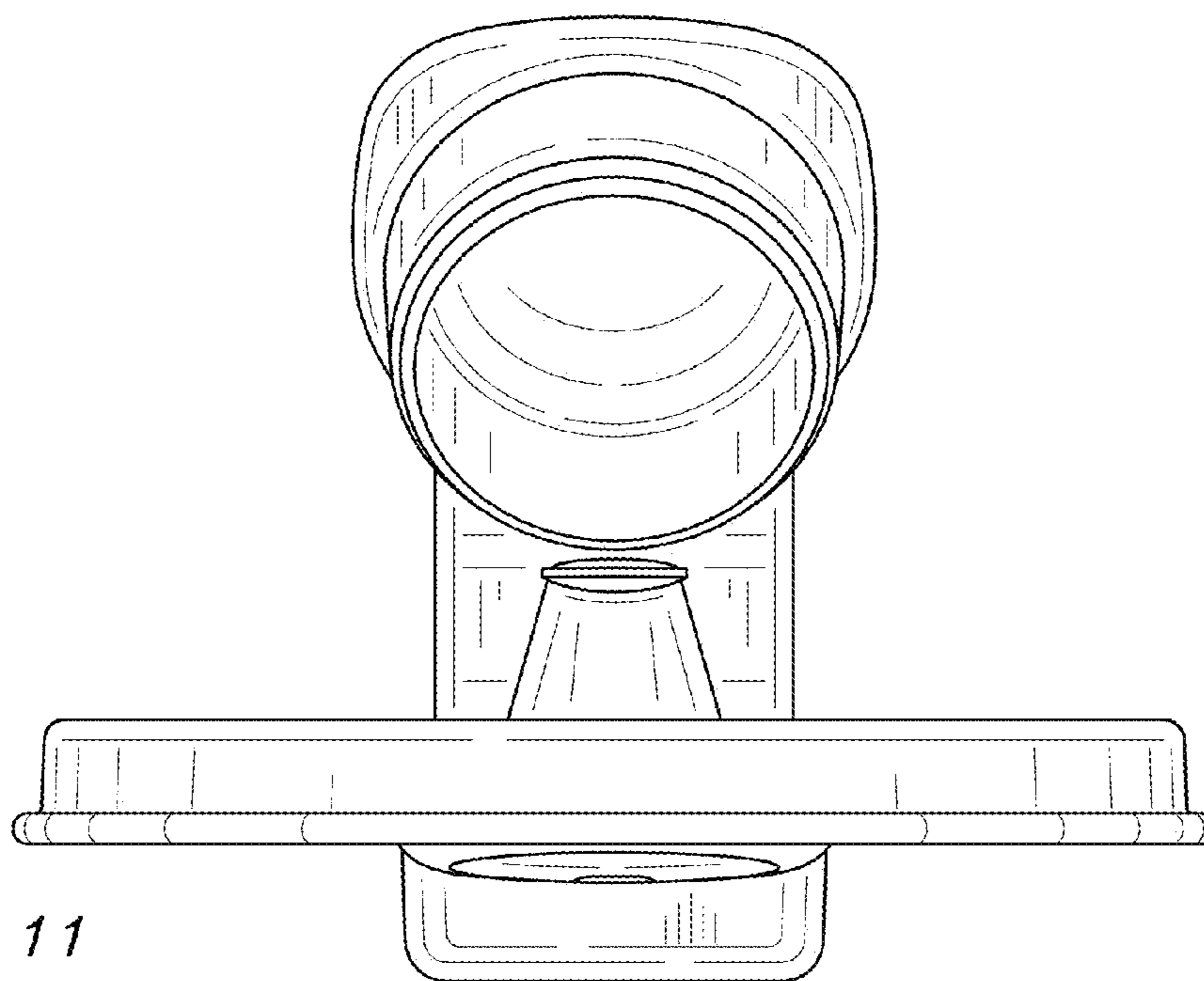


FIG. 11

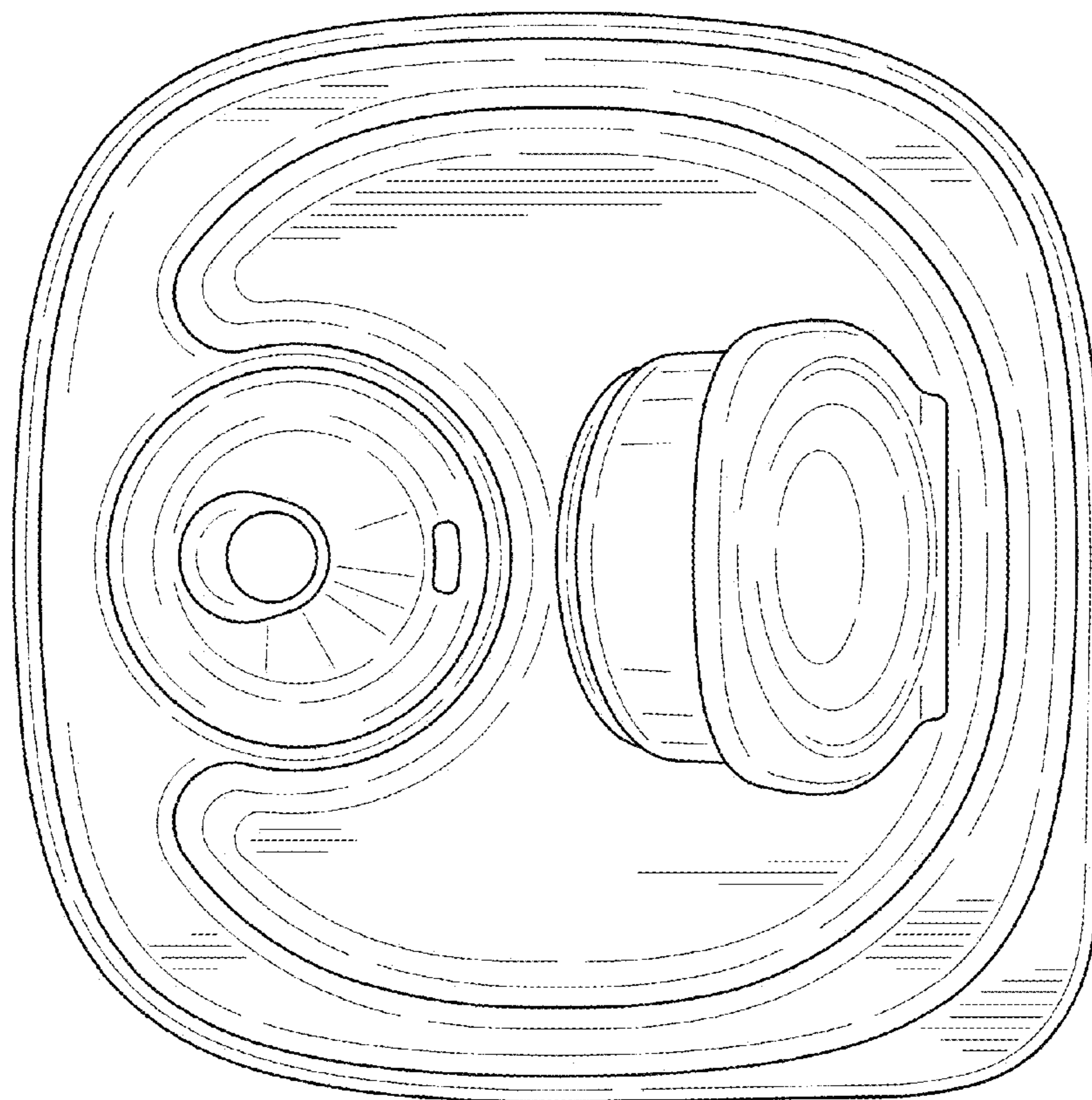


FIG. 9

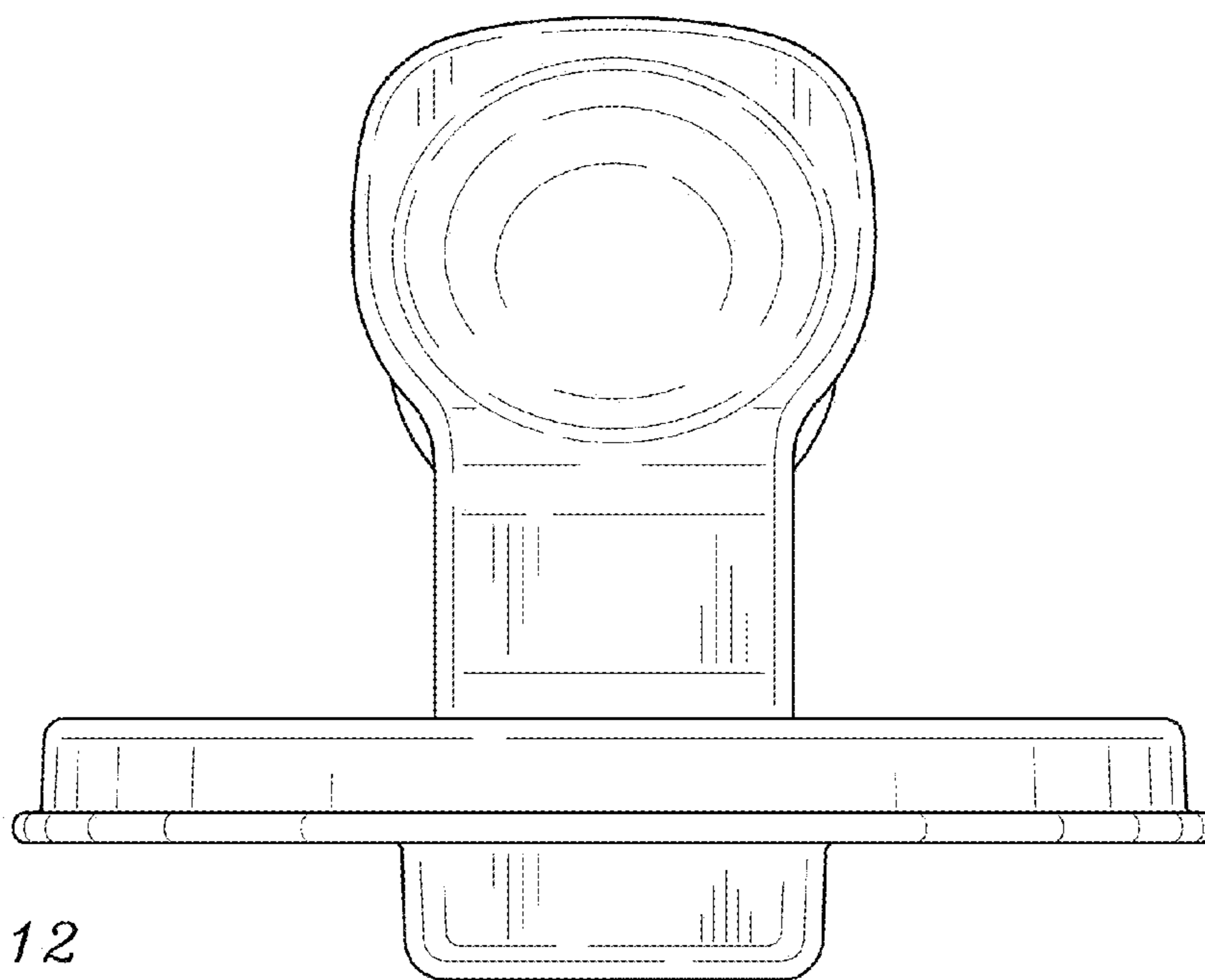


FIG. 12

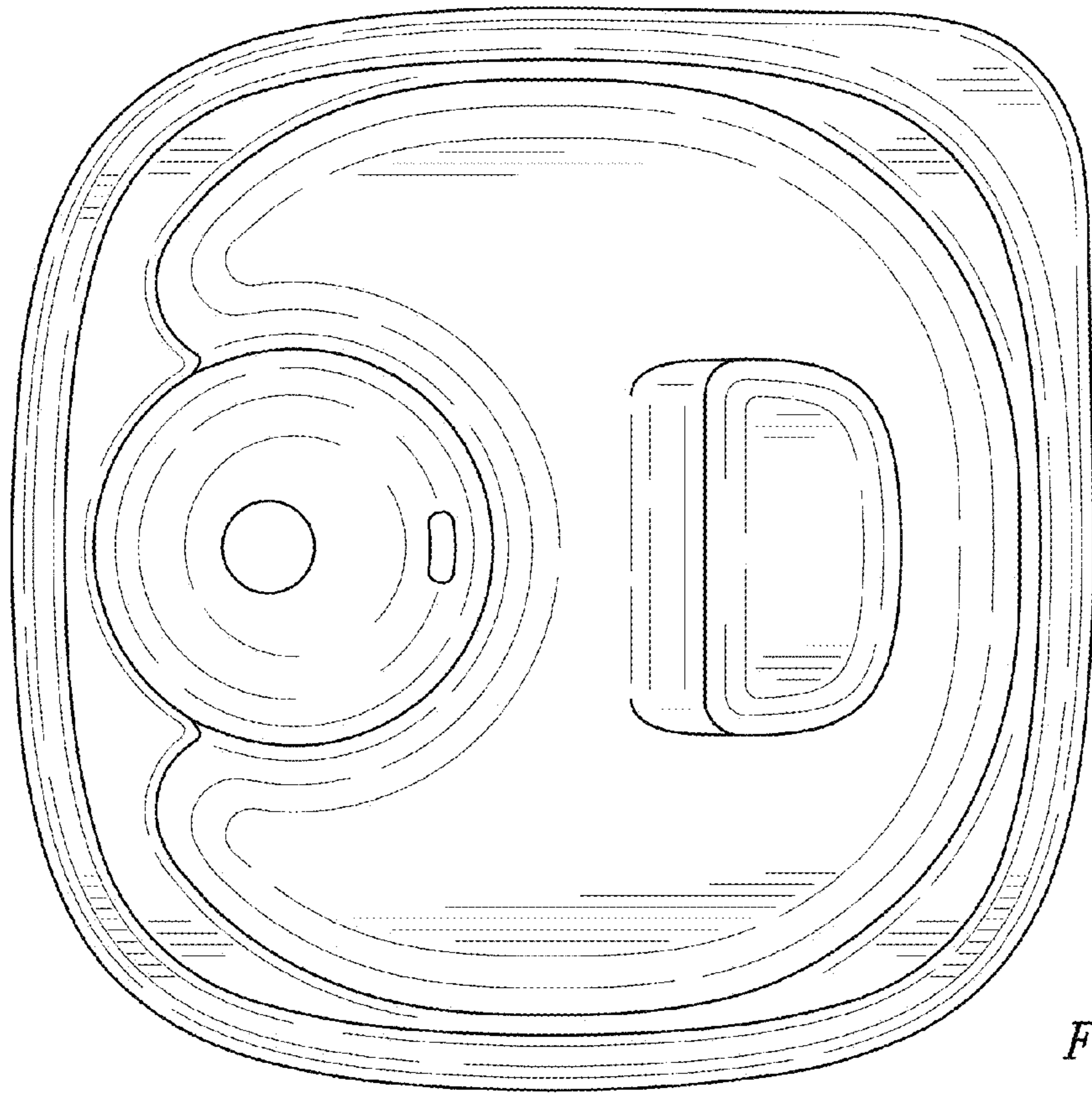


FIG. 10

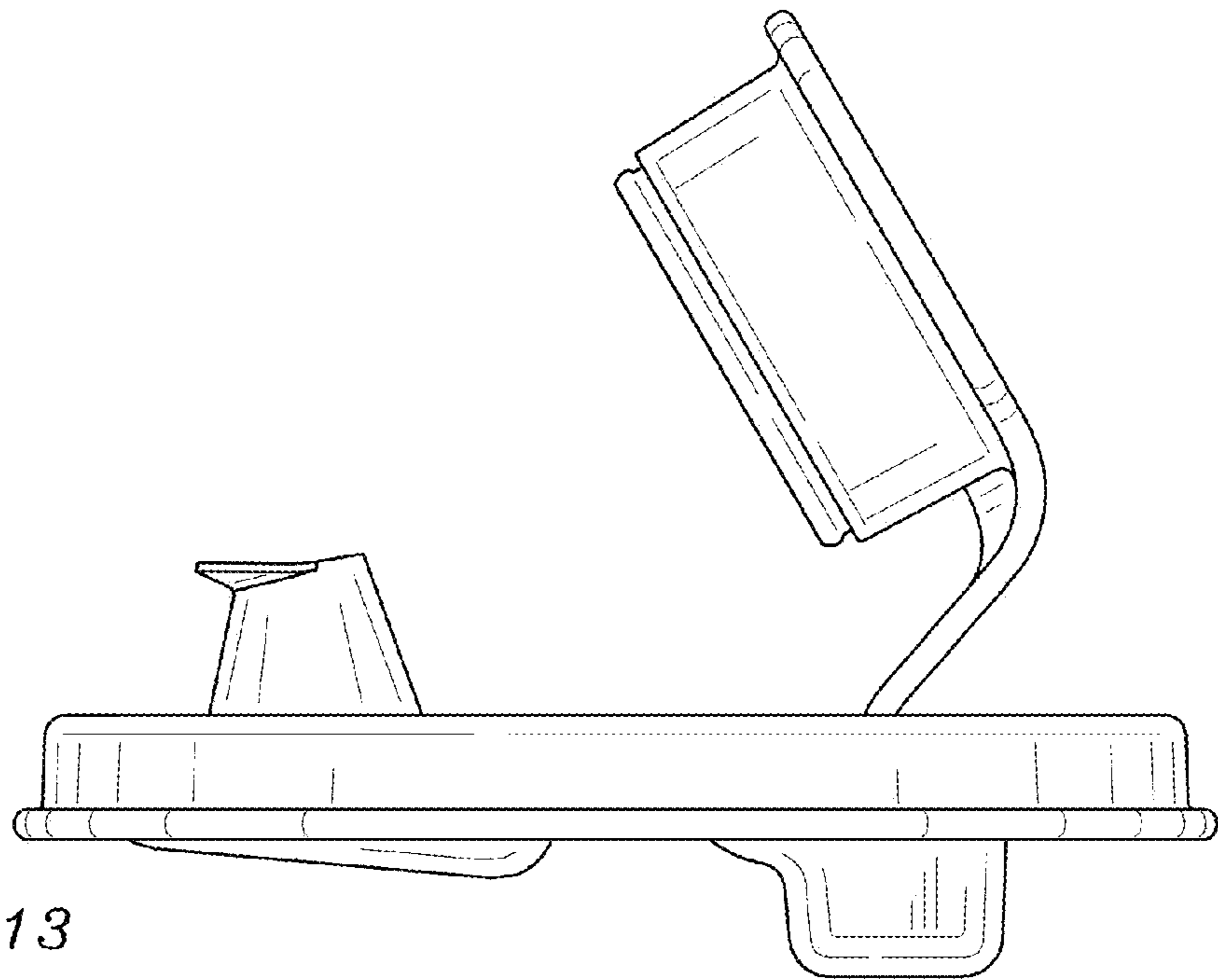


FIG. 13