



US00D741641S

(12) **United States Design Patent**
Hojbjerre et al.

(10) **Patent No.:** **US D741,641 S**

(45) **Date of Patent:** **** Oct. 27, 2015**

(54) **MIXING STATION**

(56) **References Cited**

(71) Applicant: **A/S Wodschow & Co., Brondby (DK)**

U.S. PATENT DOCUMENTS

(72) Inventors: **Morten Hojbjerre, Valby (DK); Jesper Holmegaard Olsen, Glostrup (DK)**

1,468,615	A *	9/1923	Guttenstein et al.	126/345
1,548,919	A *	8/1925	Ward	366/98
1,761,237	A *	6/1930	Schiff	366/185
D111,616	S *	10/1938	Rosengren	D7/379
5,660,469	A *	8/1997	Seguin	366/347
5,860,738	A *	1/1999	Brinkman	366/197
6,494,610	B1 *	12/2002	Brunswick	366/207
D468,581	S *	1/2003	Short	D7/379
D631,691	S *	2/2011	Liu	D7/379
8,251,567	B2 *	8/2012	Brunswick et al.	366/98
2002/0181322	A1 *	12/2002	Brunswick et al.	366/197
2005/0141340	A1 *	6/2005	Donthnier et al.	366/207
2011/0036248	A1 *	2/2011	Liu	99/484

(73) Assignee: **A/S WODSCHOW & CO., Bronby (DK)**

(**) Term: **14 Years**

(21) Appl. No.: **29/476,173**

(22) Filed: **Dec. 11, 2013**

* cited by examiner

(30) **Foreign Application Priority Data**

Jun. 11, 2013 (EM) 002253385

Primary Examiner — Ricky Pham

(51) **LOC (10) Cl.** **31-00**

(74) *Attorney, Agent, or Firm* — Brinks Gilson & Lione

(52) **U.S. Cl.**
USPC **D7/379; D7/376; D7/384**

(57) **CLAIM**

The ornamental design for a mixing station, as shown and described.

(58) **Field of Classification Search**
USPC D7/372, 376–386, 412–413, 602, 629,
D7/665–666, 669, 679, 693–694

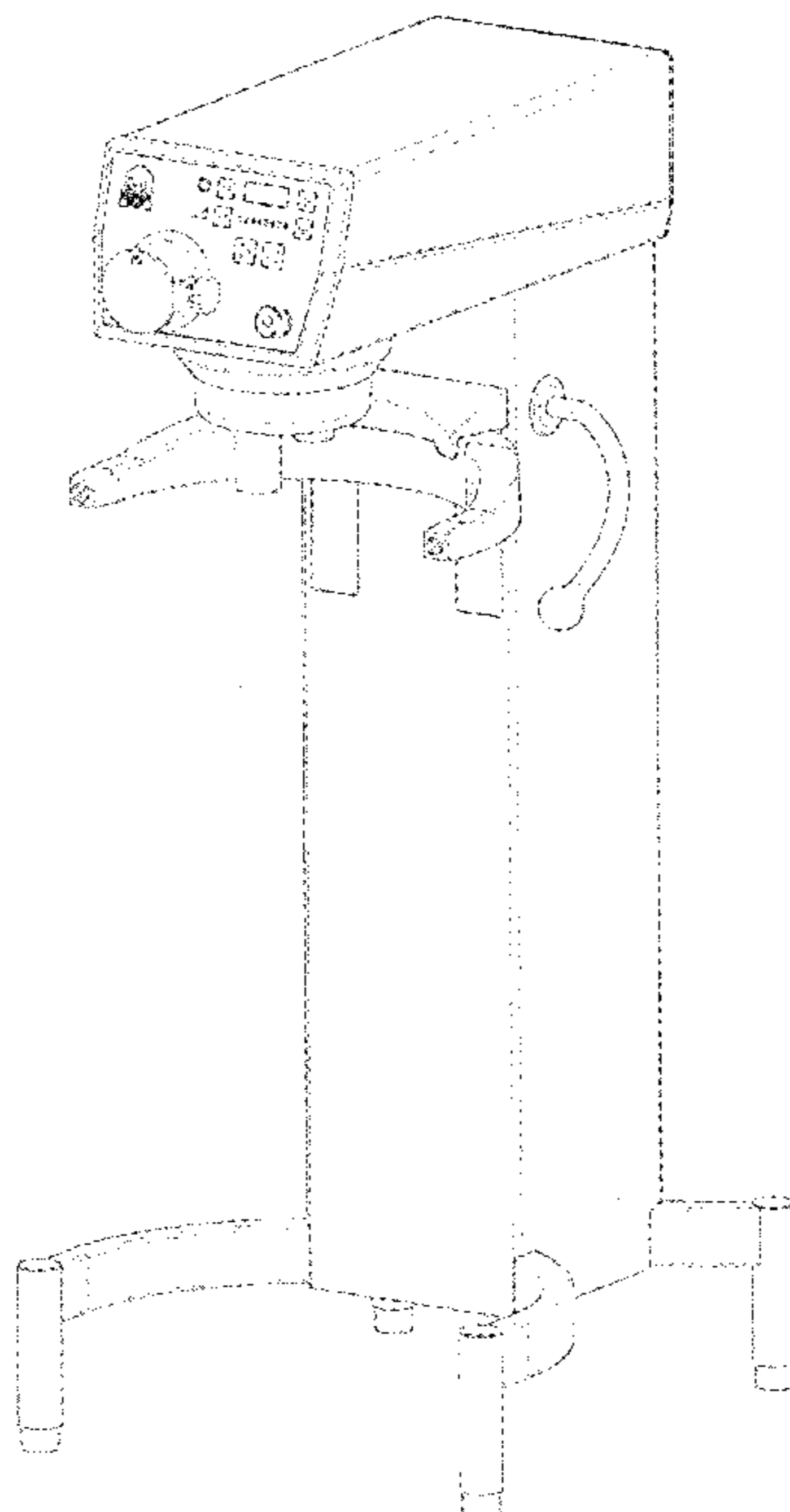
DESCRIPTION

CPC A21C 1/02; A21C 1/04; A21C 1/1495;
A23N 1/00; A23N 1/02; A47J 43/04; A47J
43/25; A47J 43/27; A47J 43/042; A47J
43/044; A47J 43/046; A47J 43/075; A47J
43/0705; A47J 43/0722; A47J 43/0727;
B01F 3/00; B01F 3/0807; B01F 3/0853;
B01F 7/161; B01F 13/04; B01F 13/0059;
B01F 13/0064; B02C 1/08; B02C 2/04;
B02C 4/42; B02C 4/142; B02C 4/143; B02C
4/423; B02C 13/1835; B28C 5/10; B28C
5/12; B28C 5/14; B28C 5/16

FIG. 1 is a perspective view of a mixing station;
FIG. 2 is a front view thereof;
FIG. 3 is a first side view thereof;
FIG. 4 is a rear view thereof;
FIG. 5 is a second side view thereof;
FIG. 6 is a top view thereof; and,
FIG. 7 is a bottom view thereof.
The broken lines shown in the drawings are for illustrative purposes only and form no part of the claimed design.

See application file for complete search history.

1 Claim, 7 Drawing Sheets



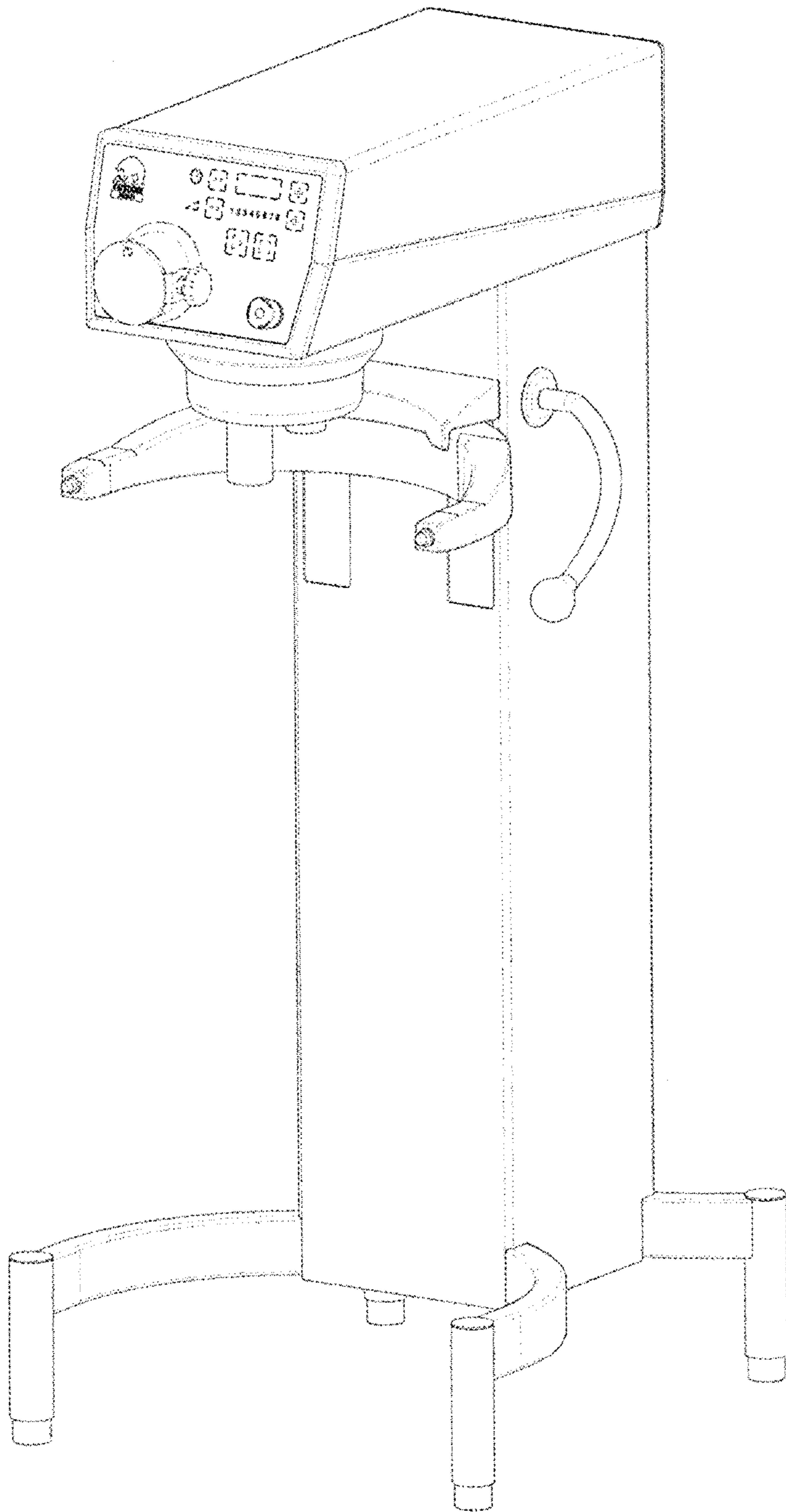


Fig. 1

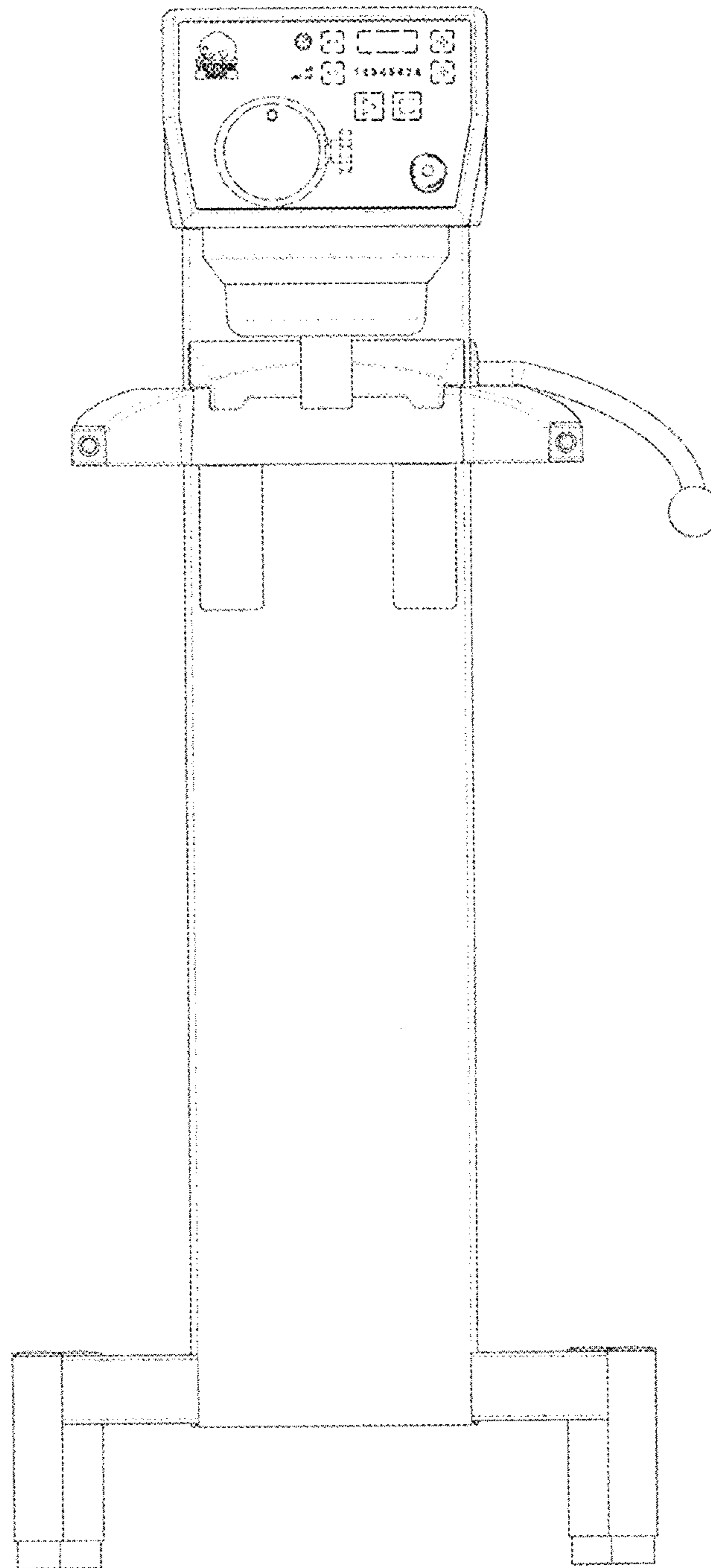


Fig. 2

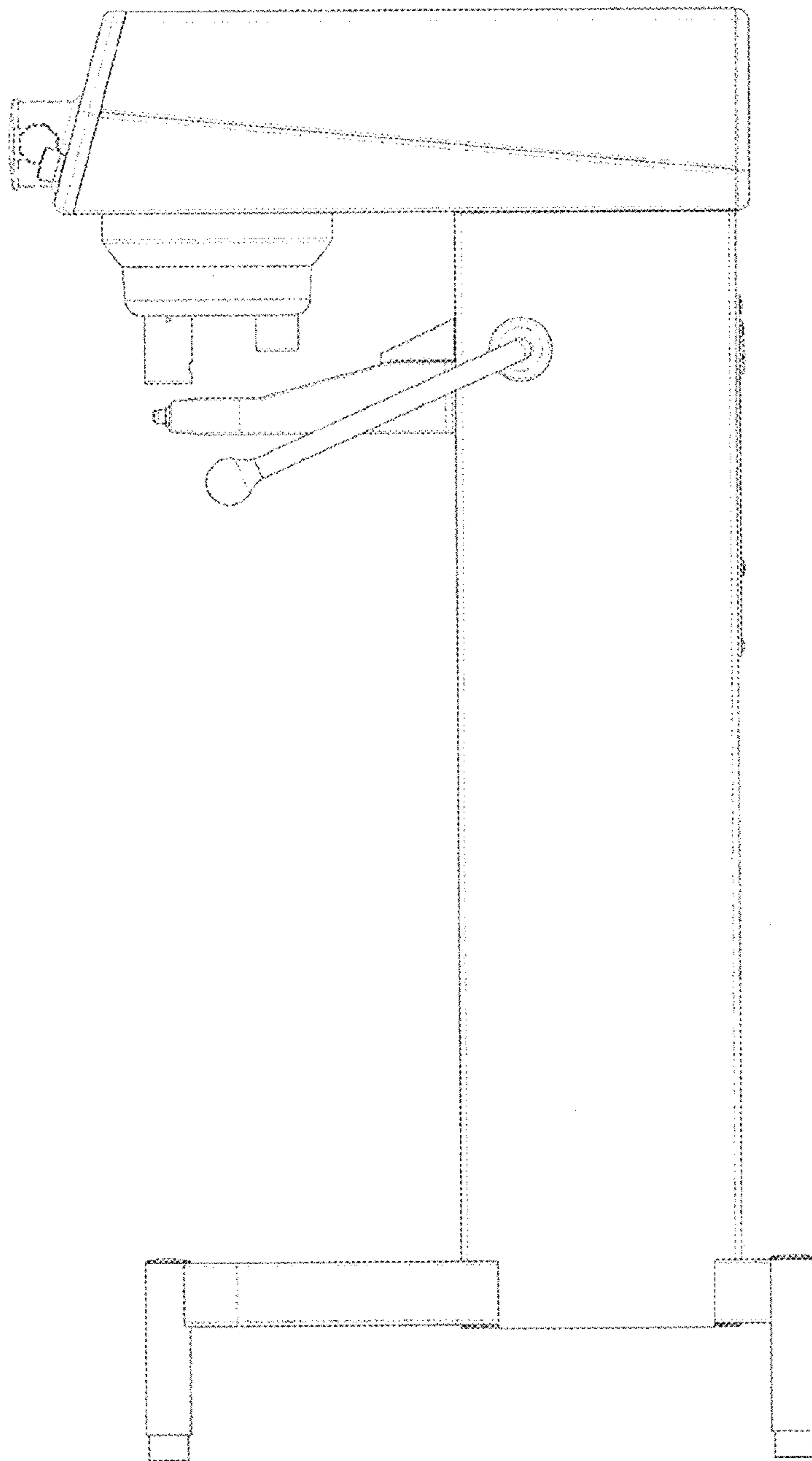


Fig. 3

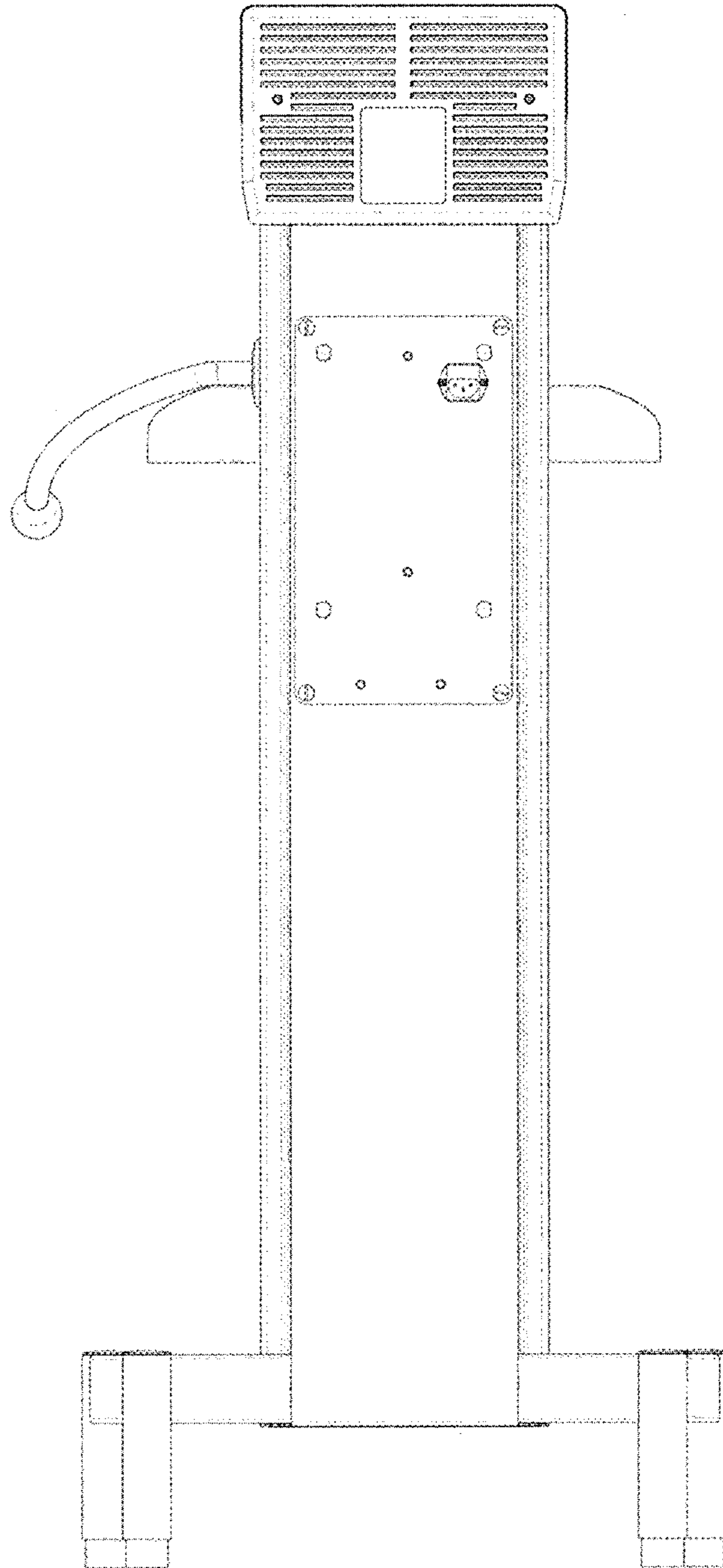


Fig. 4

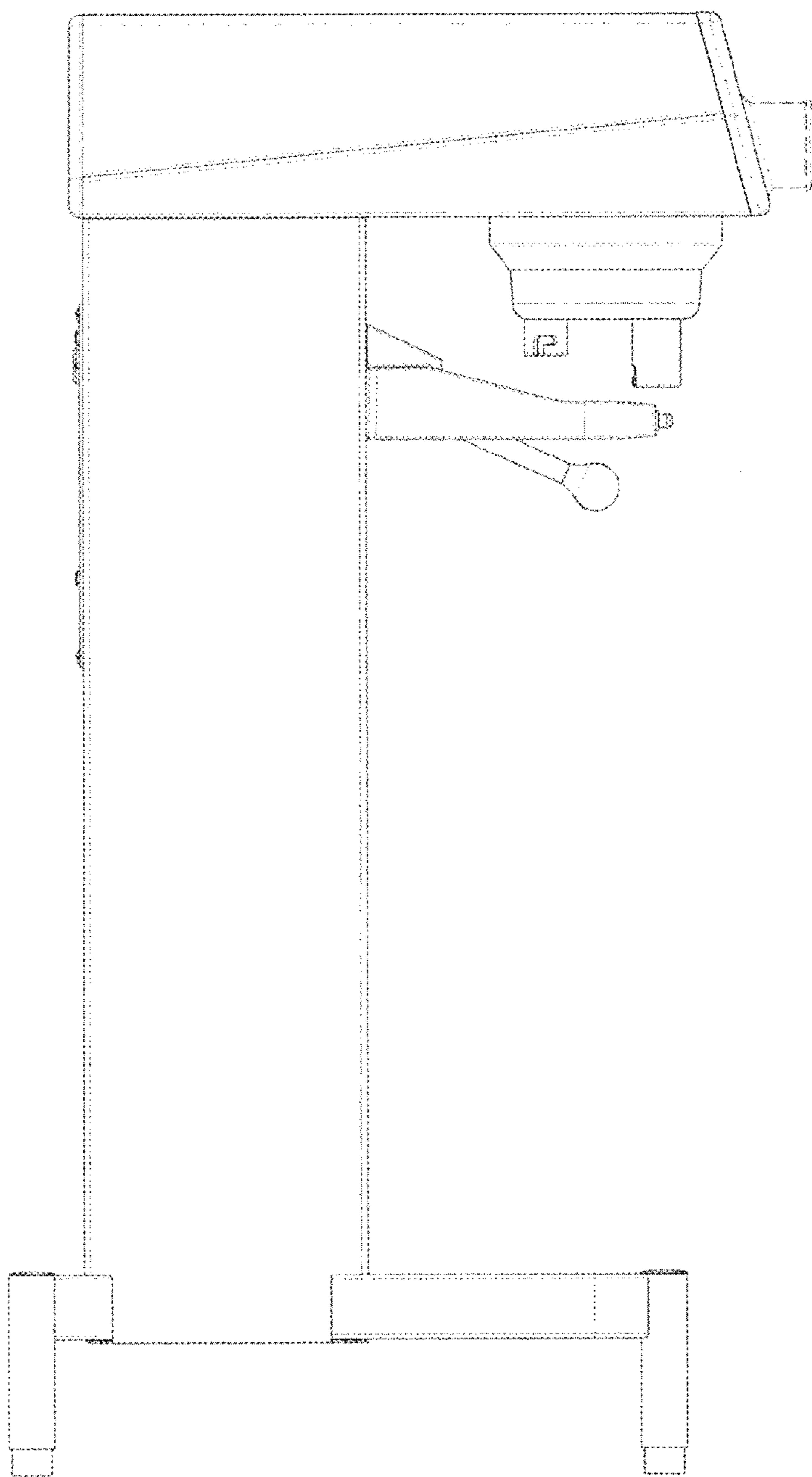


Fig. 5

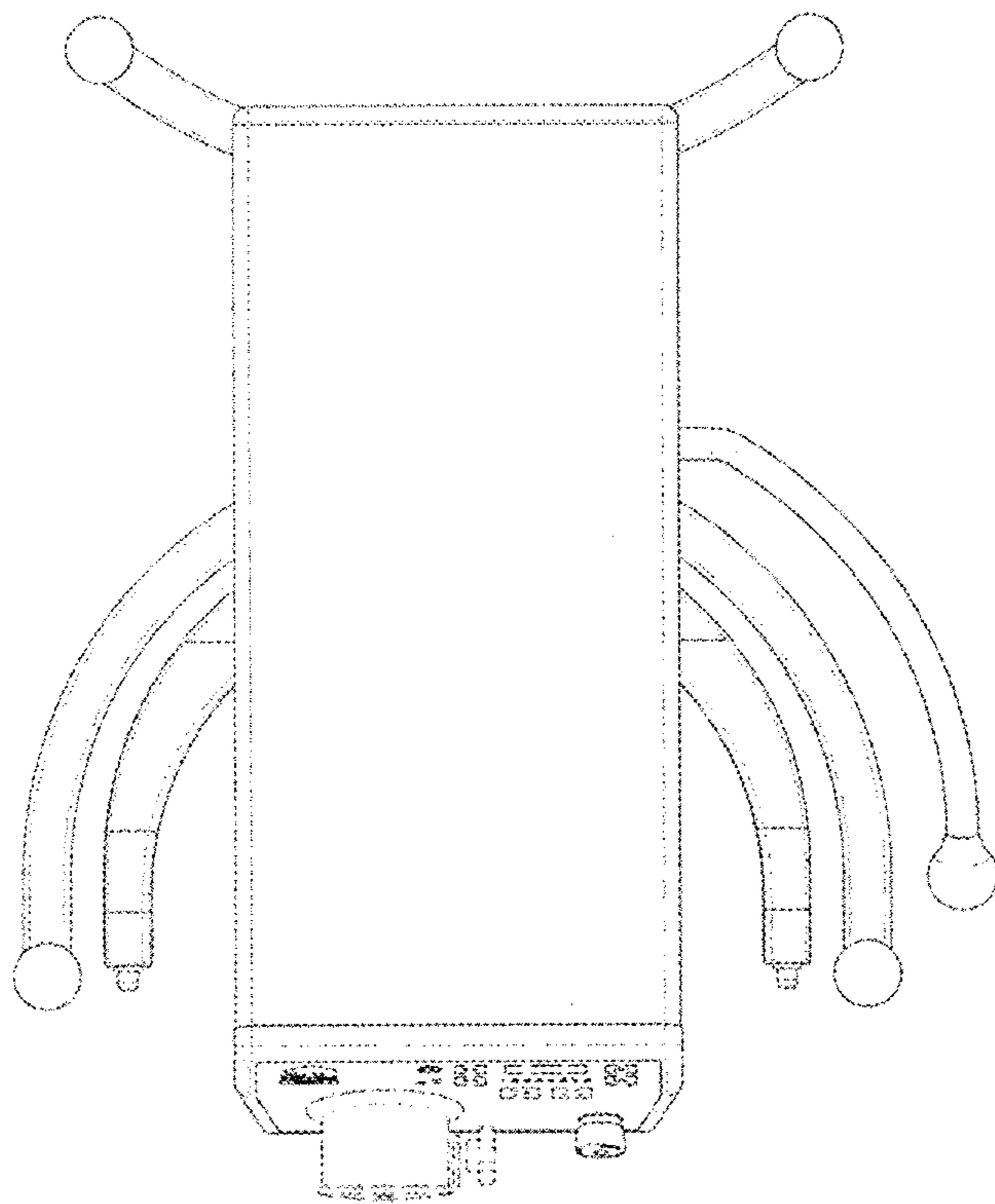


Fig. 6

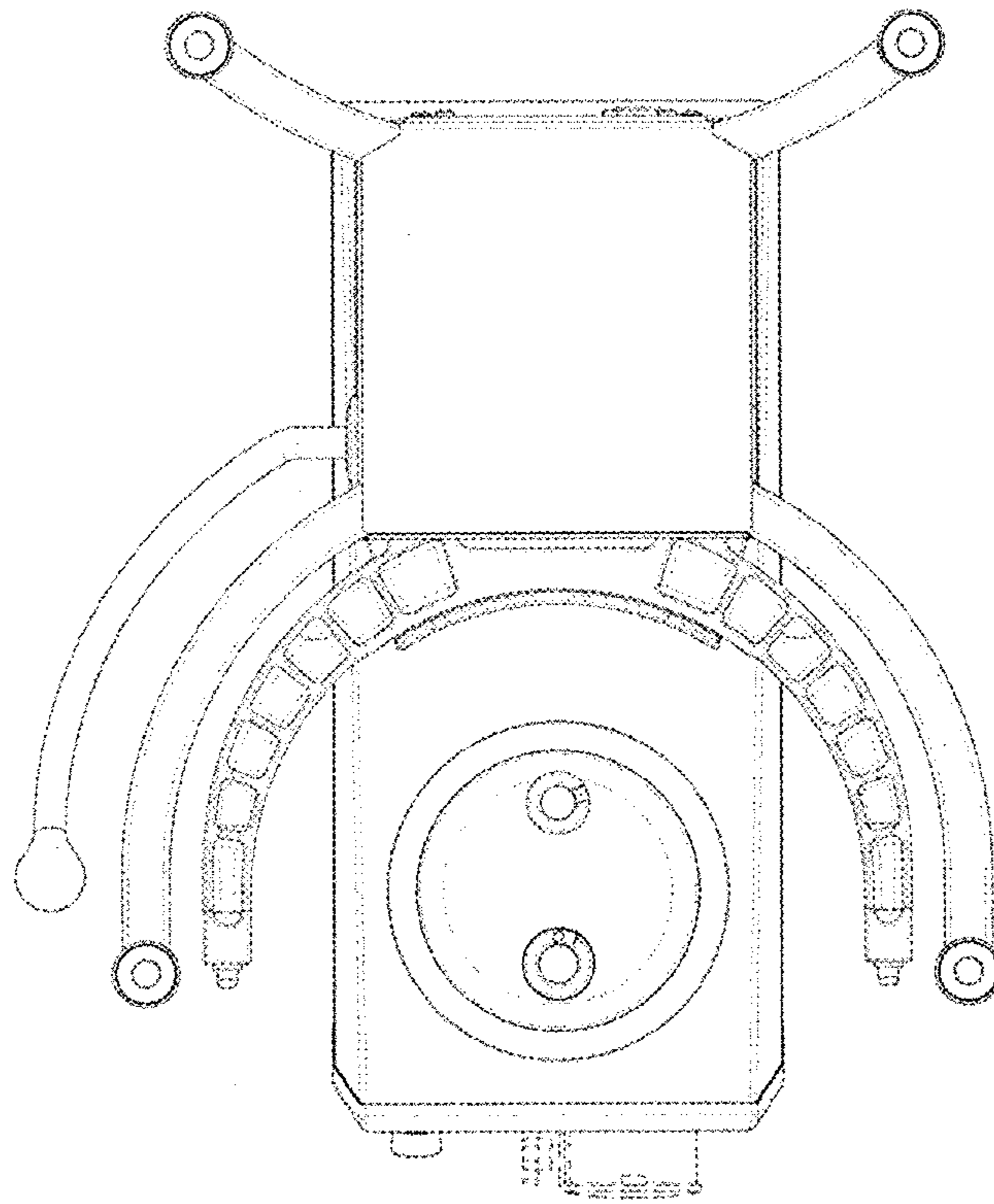


Fig. 7