



US00D741639S

(12) **United States Design Patent**
Kim et al.

(10) **Patent No.:** **US D741,639 S**
(45) **Date of Patent:** **** Oct. 27, 2015**

(54) **MICROWAVE OVEN**

(56) **References Cited**

(71) Applicant: **Samsung Electronics Co., Ltd.**,
Suwon-si (KR)
(72) Inventors: **Tai Kyung Kim**, Seoul (KR); **Jaejun Kim**, Seoul (KR)
(73) Assignee: **Samsung Electronics Co., Ltd.**,
Suwon-si (KR)

U.S. PATENT DOCUMENTS

D540,614 S *	4/2007	Jeon	D7/350.1
D550,024 S *	9/2007	Jeon	D7/350.1
D615,805 S *	5/2010	Baek	D7/351
D633,328 S *	3/2011	Shin	D7/351
D634,576 S *	3/2011	Baek et al.	D7/351
D673,418 S *	1/2013	Lee et al.	D7/351
D705,008 S *	5/2014	Shin et al.	D7/405
D707,074 S *	6/2014	Shin et al.	D7/351
D708,469 S *	7/2014	Kim et al.	D7/351
D712,694 S *	9/2014	Kim et al.	D7/351

(**) Term: **14 Years**

* cited by examiner

(21) Appl. No.: **29/462,273**

Primary Examiner — Ruth McInroy

(22) Filed: **Aug. 1, 2013**

(74) *Attorney, Agent, or Firm* — NSIP Law

(30) **Foreign Application Priority Data**

(57) **CLAIM**

We claim the ornamental design for a microwave oven, as shown and described.

Feb. 5, 2013 (KR) 30-2013-6345

DESCRIPTION

(51) **LOC (10) Cl.** **07-02**

FIG. 1 is a front perspective view of a microwave oven, showing our new design;

(52) **U.S. Cl.**

FIG. 2 is a front view thereof;

USPC **D7/351**

FIG. 3 is a rear view thereof;

(58) **Field of Classification Search**

USPC D7/350.1-350.4, 351, 402, 405, 406;
126/19 R, 19 M, 41 R; 219/391, 725,
219/756-758; 99/DIG. 14

FIG. 4 is a left-side view thereof;

FIG. 5 is a right-side view thereof;

FIG. 6 is a top view thereof; and,

FIG. 7 is a bottom view thereof.

See application file for complete search history.

1 Claim, 7 Drawing Sheets

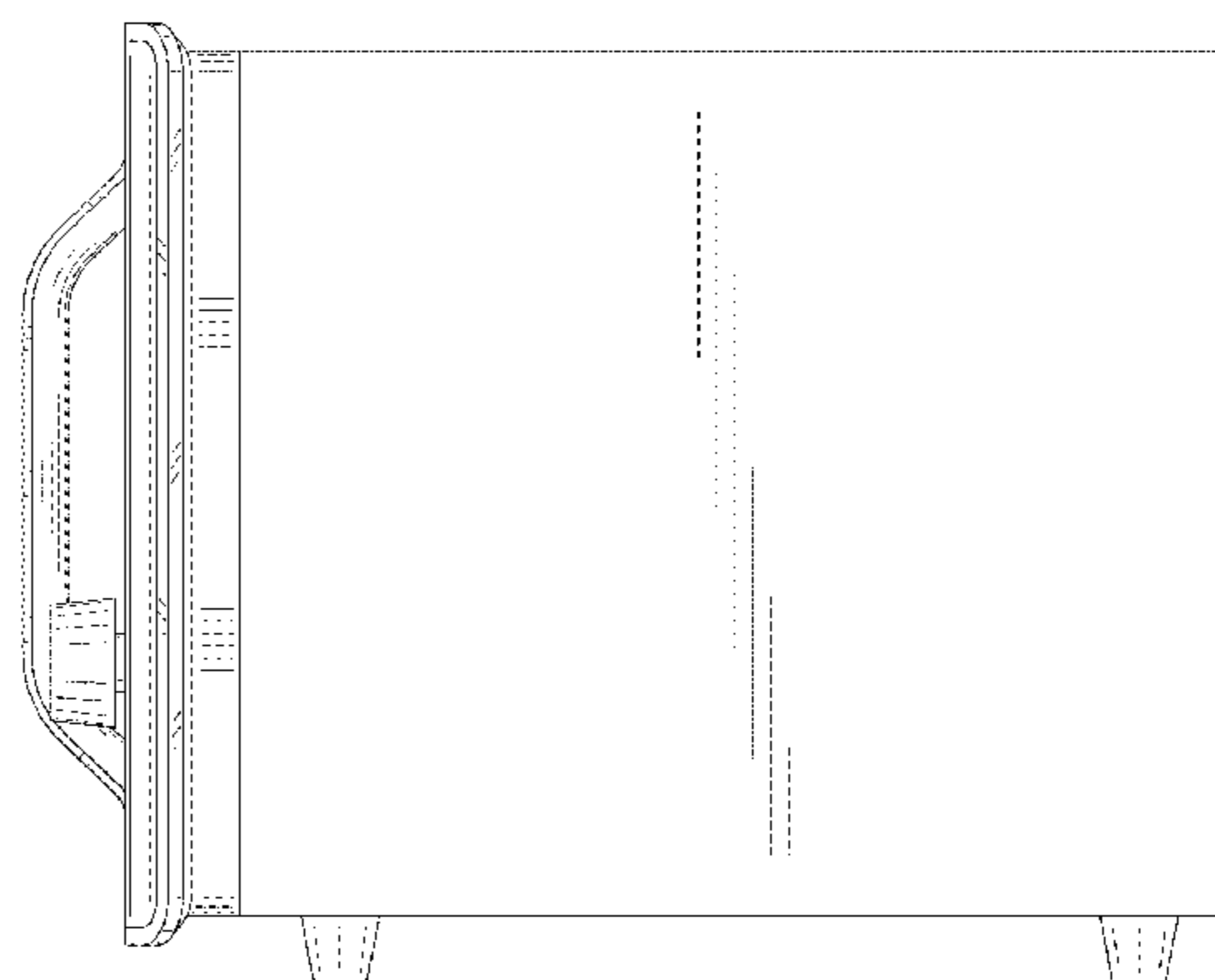
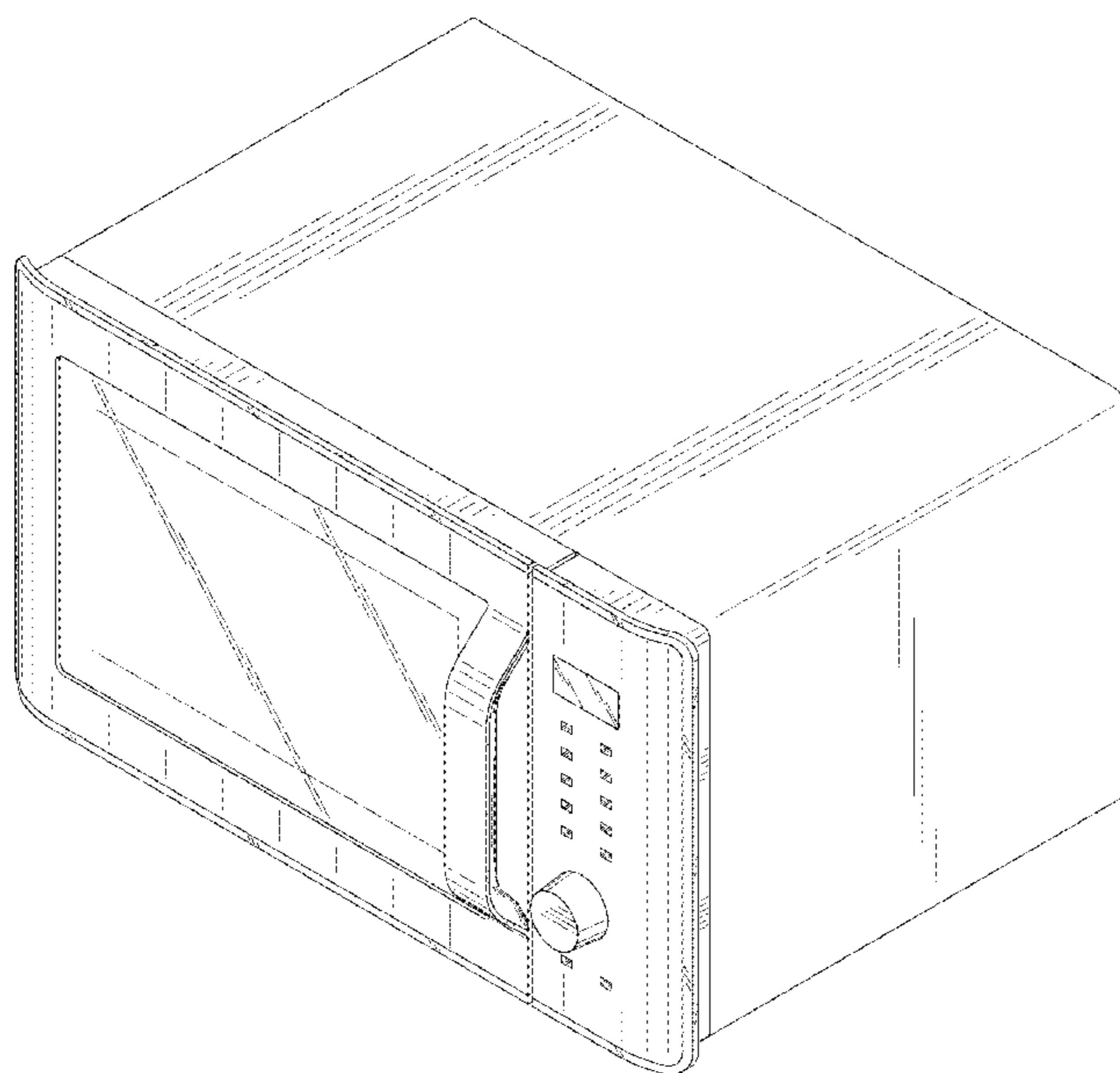


FIG.1

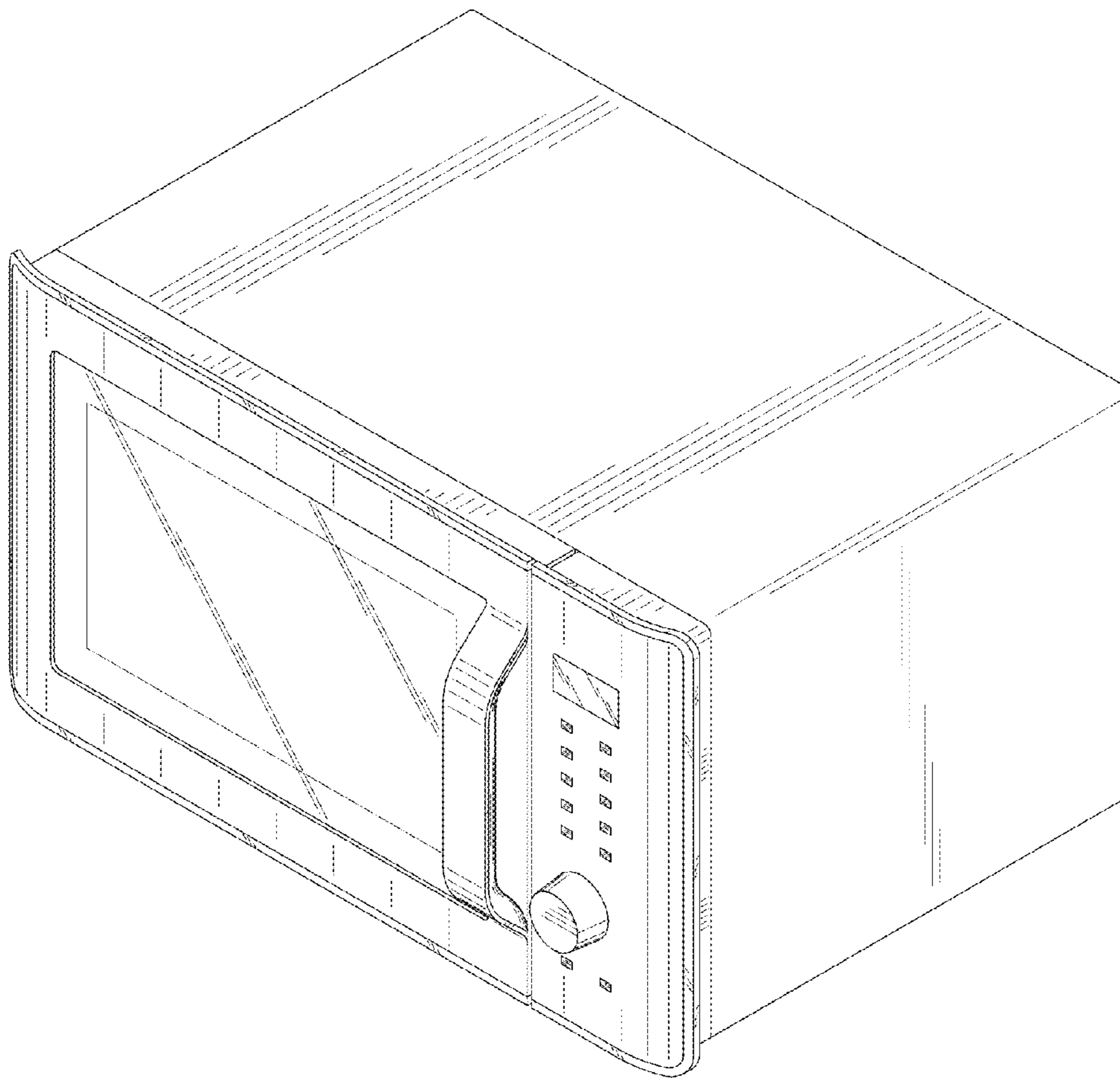


FIG.2

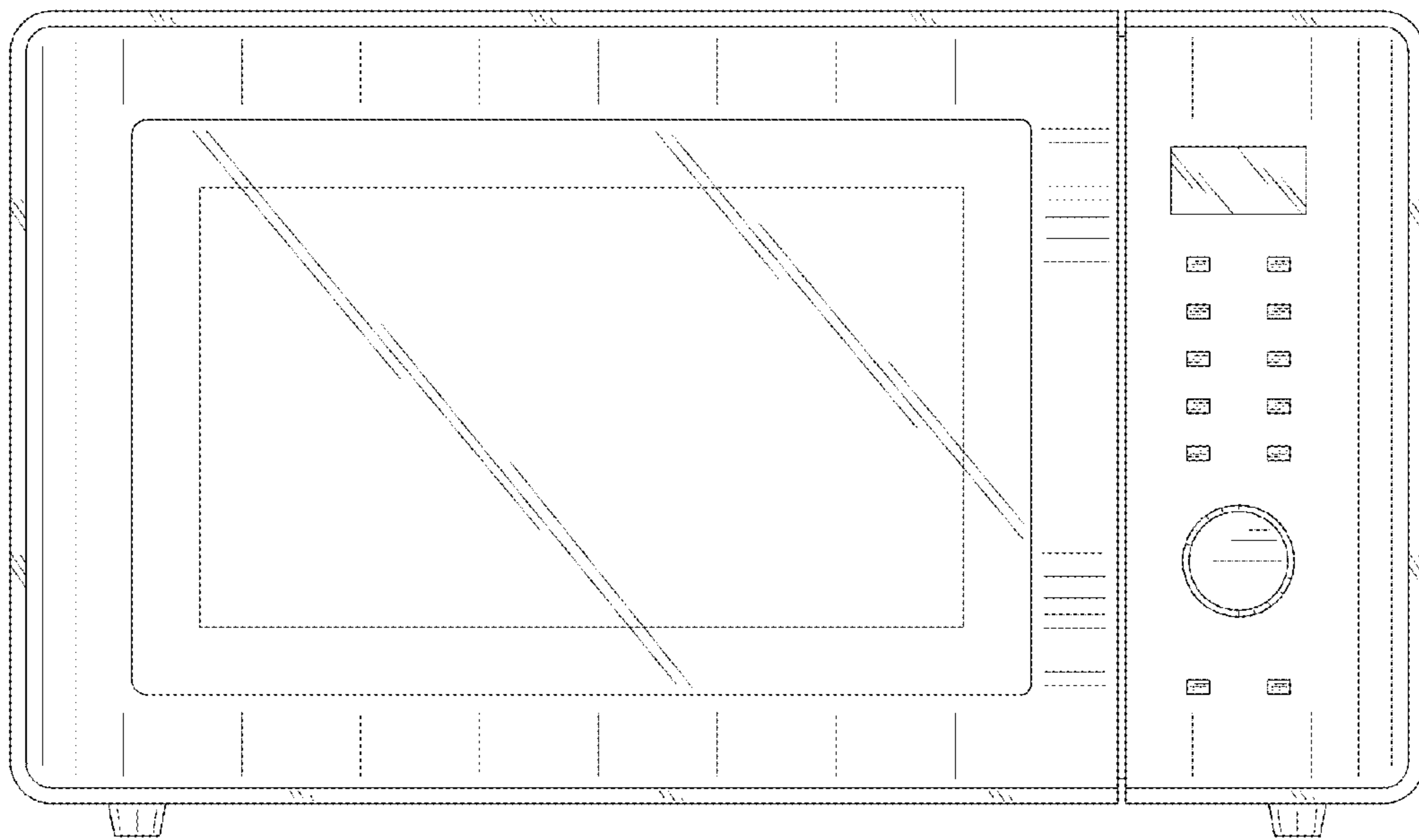


FIG.3

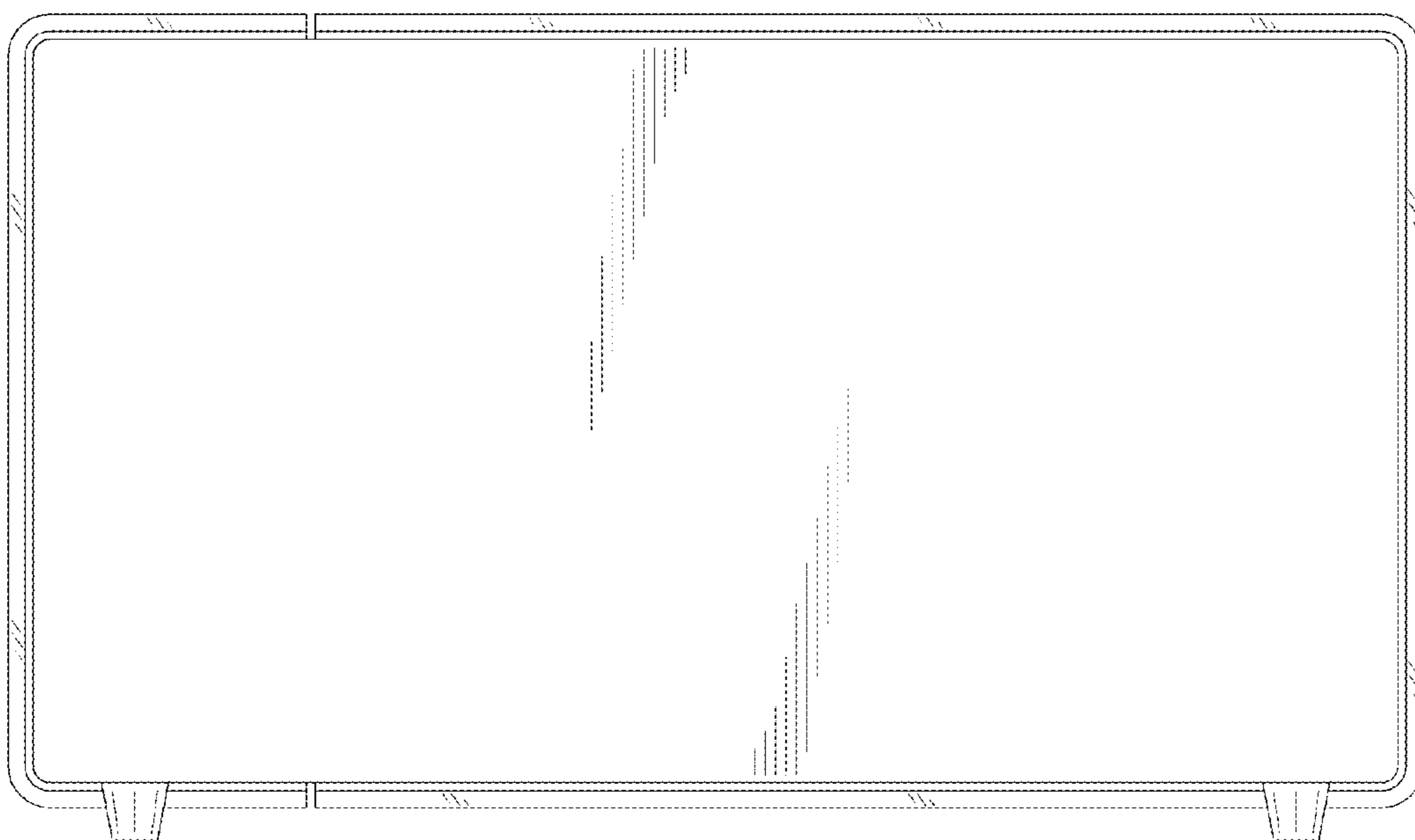


FIG.4

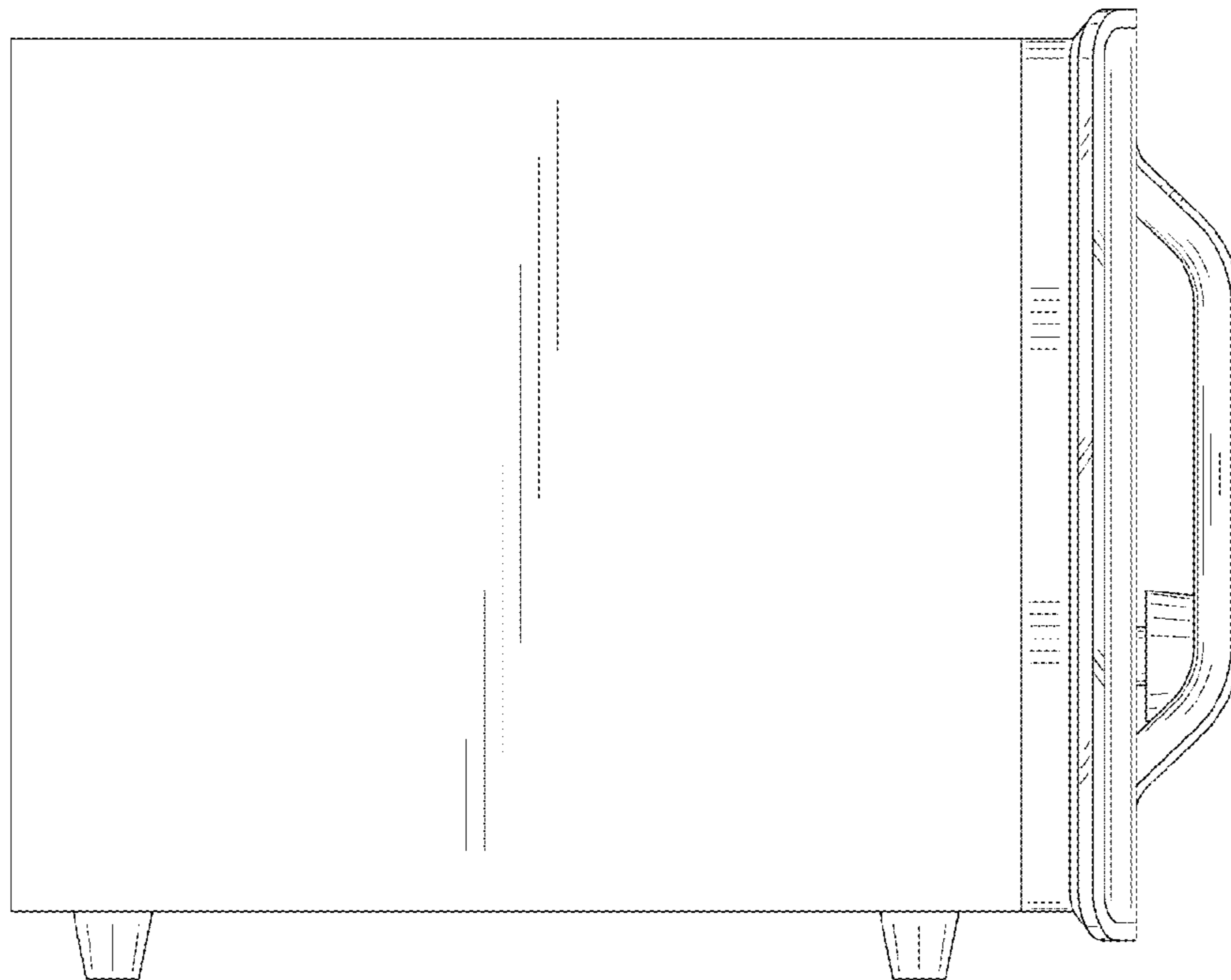


FIG.5

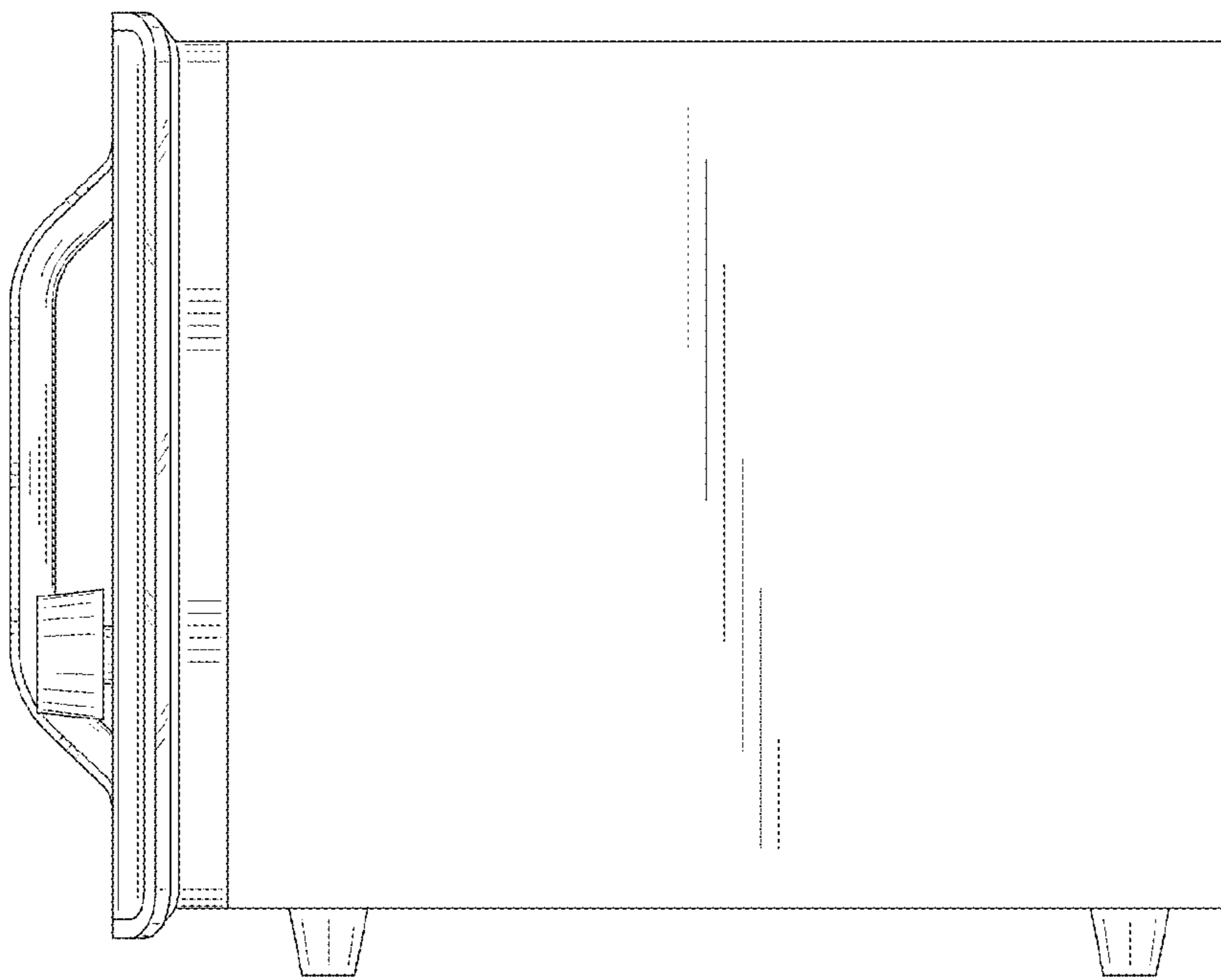


FIG.6

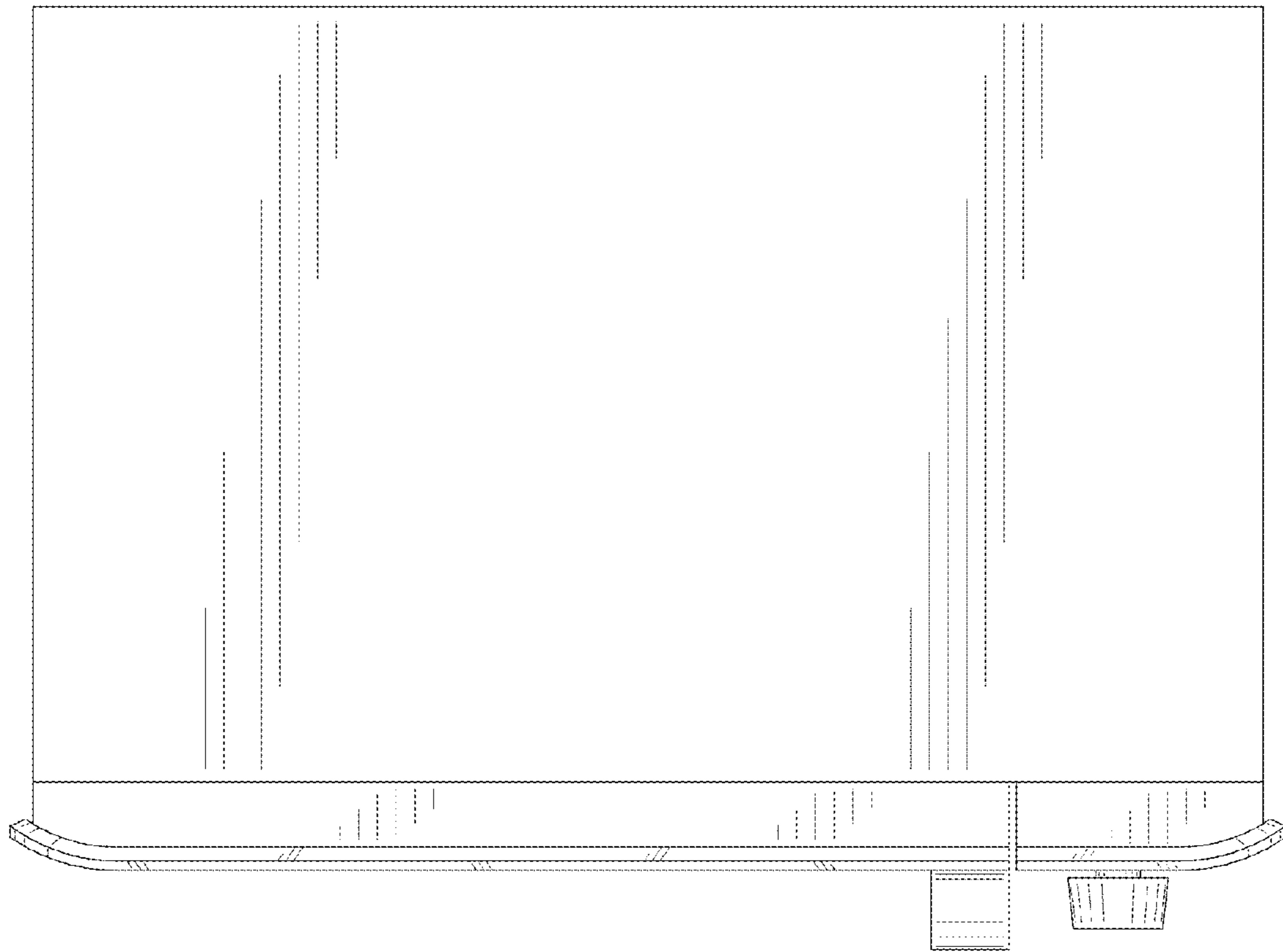


FIG.7

