



US00D741632S

(12) **United States Design Patent**  
**Mahar**

(10) **Patent No.:** **US D741,632 S**

(45) **Date of Patent:** **\*\* Oct. 27, 2015**

(54) **GUITAR STAND**

(71) Applicant: **Ryan Stewart Mahar**, Huntington Beach, CA (US)

(72) Inventor: **Ryan Stewart Mahar**, Huntington Beach, CA (US)

(\*\*) Term: **14 Years**

(21) Appl. No.: **29/500,537**

(22) Filed: **Aug. 26, 2014**

(51) **LOC (10) Cl.** ..... **06-06**

(52) **U.S. Cl.**  
USPC ..... **D6/682.3**

(58) **Field of Classification Search**  
USPC ..... D6/672-673, 678, 680, 682, 682.3;  
D17/9, 20; D14/229, 447  
CPC ..... A47F 7/00; A47F 7/0042  
See application file for complete search history.

(56) **References Cited**

**U.S. PATENT DOCUMENTS**

D251,426 S	3/1979	Molyneux	
D252,001 S *	6/1979	Arnold	D6/552
D326,379 S *	5/1992	Gilbey	D6/683
D361,450 S *	8/1995	Weatherby	D7/601
5,445,435 A *	8/1995	Sheckles	297/440.12
D389,341 S *	1/1998	Danner et al.	D6/682
D596,875 S *	7/2009	Small et al.	D6/682
7,659,468 B1	2/2010	Gottlieb	

D634,956 S *	3/2011	St. John	D6/552
D642,823 S *	8/2011	Hanger	D6/682.4
D651,213 S *	12/2011	Magness et al.	D14/447
8,167,148 B2 *	5/2012	Jacobson et al.	211/85.6
D664,370 S	7/2012	Suman	
D672,783 S *	12/2012	Robinson	D14/447
D677,505 S *	3/2013	Walton	D6/572
D689,718 S *	9/2013	Puckett	D6/683
D704,968 S *	5/2014	Steger	D6/682.4
D713,182 S *	9/2014	Longacre	D6/682
D730,091 S *	5/2015	Chan	D6/681
2011/0253850 A1 *	10/2011	Bau	248/176.3

\* cited by examiner

*Primary Examiner* — Kelley Donnelly

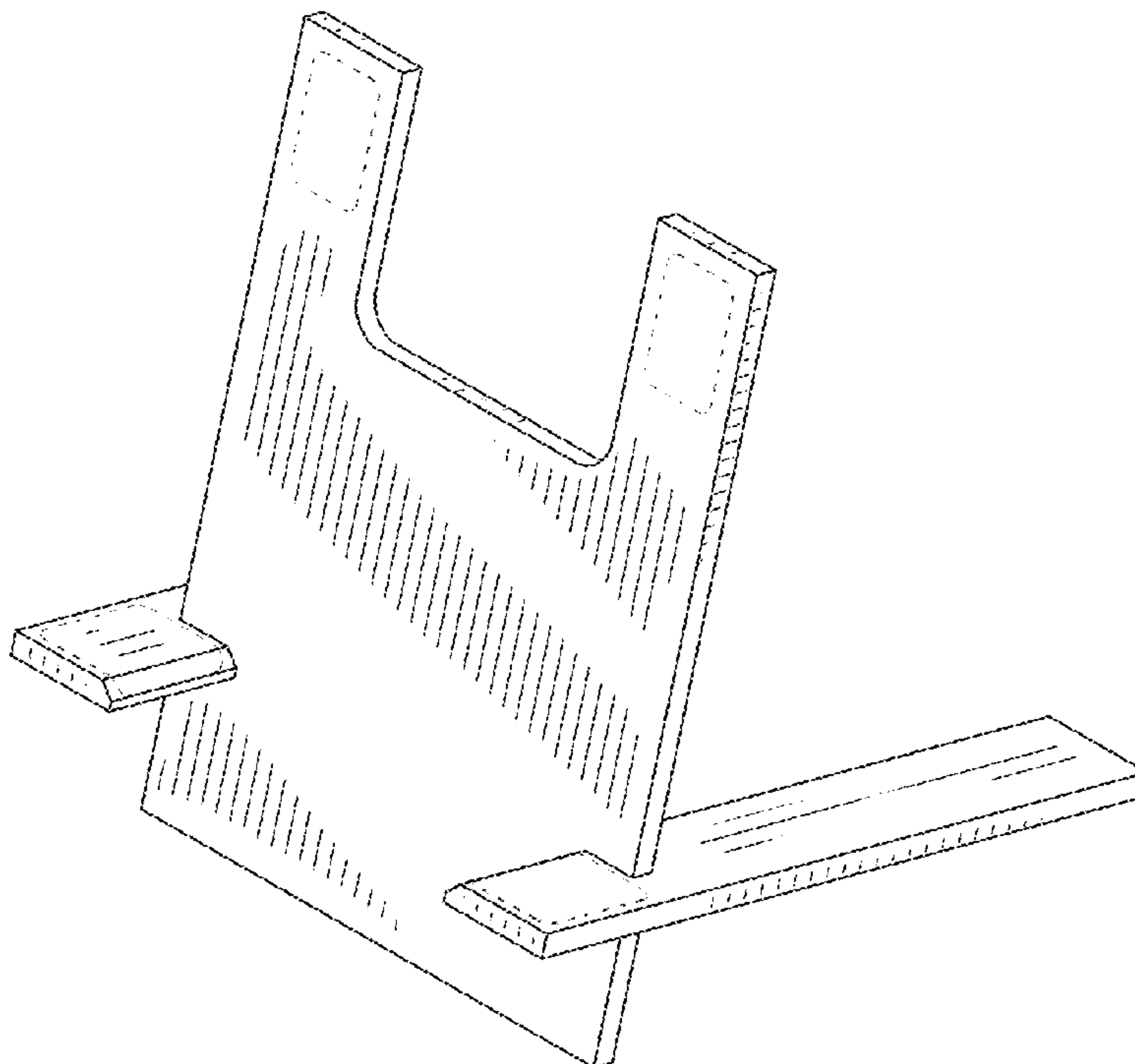
(57) **CLAIM**

The ornamental design for a guitar stand, as shown and described.

**DESCRIPTION**

FIG. 1 is a perspective front view of a guitar stand; FIG. 2 is a front elevation view of the guitar stand; FIG. 3 is a rear elevation view of the guitar stand; FIG. 4 is a left side elevation view of the guitar stand; the right side view being a mirror image thereof; FIG. 5 is a top elevation view of the guitar stand; and, FIG. 6 is a bottom elevation view of the guitar stand. The broken lines shown in the drawings that illustrate padding form no part of the claimed design.

**1 Claim, 3 Drawing Sheets**



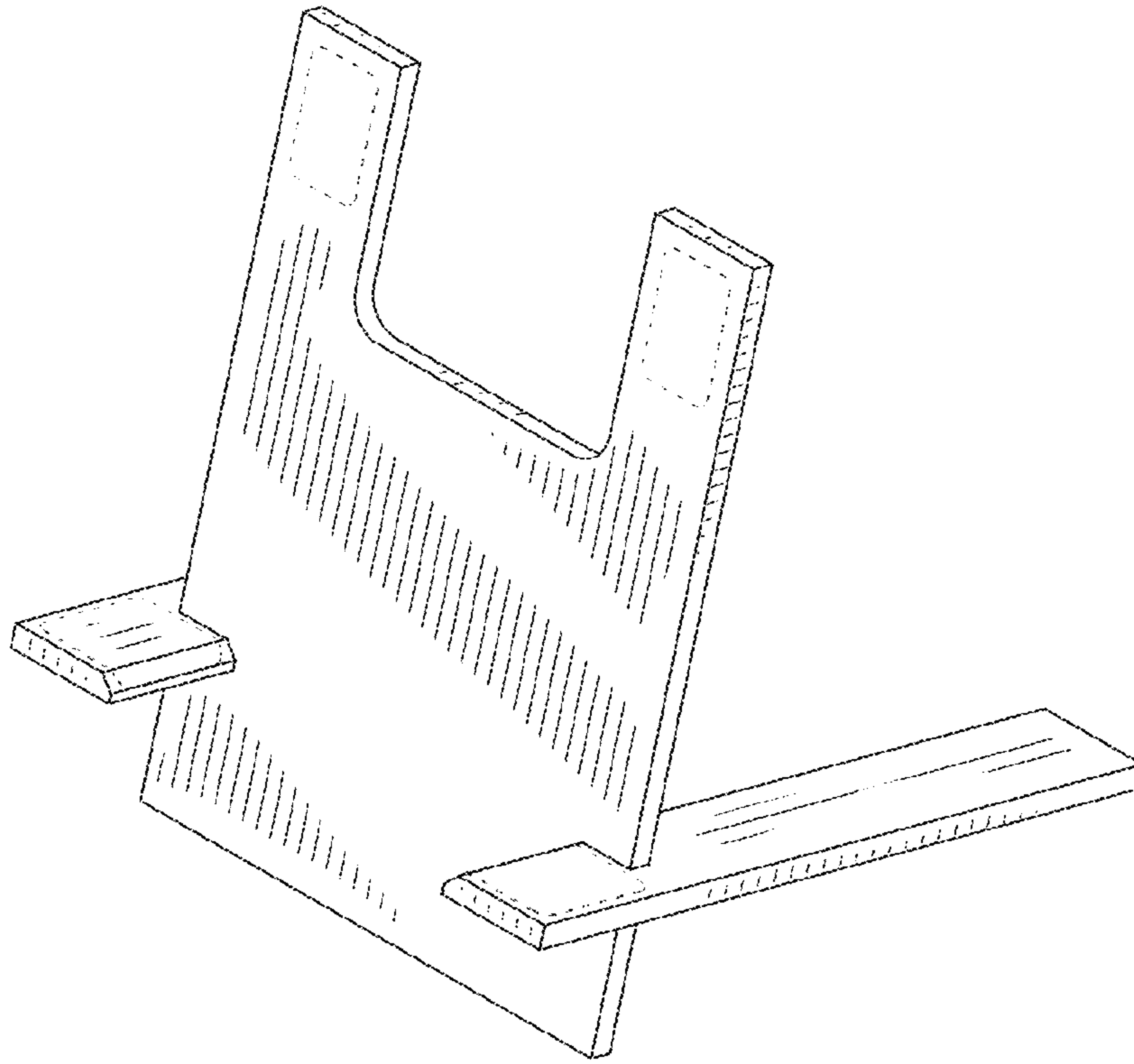


FIG. 1

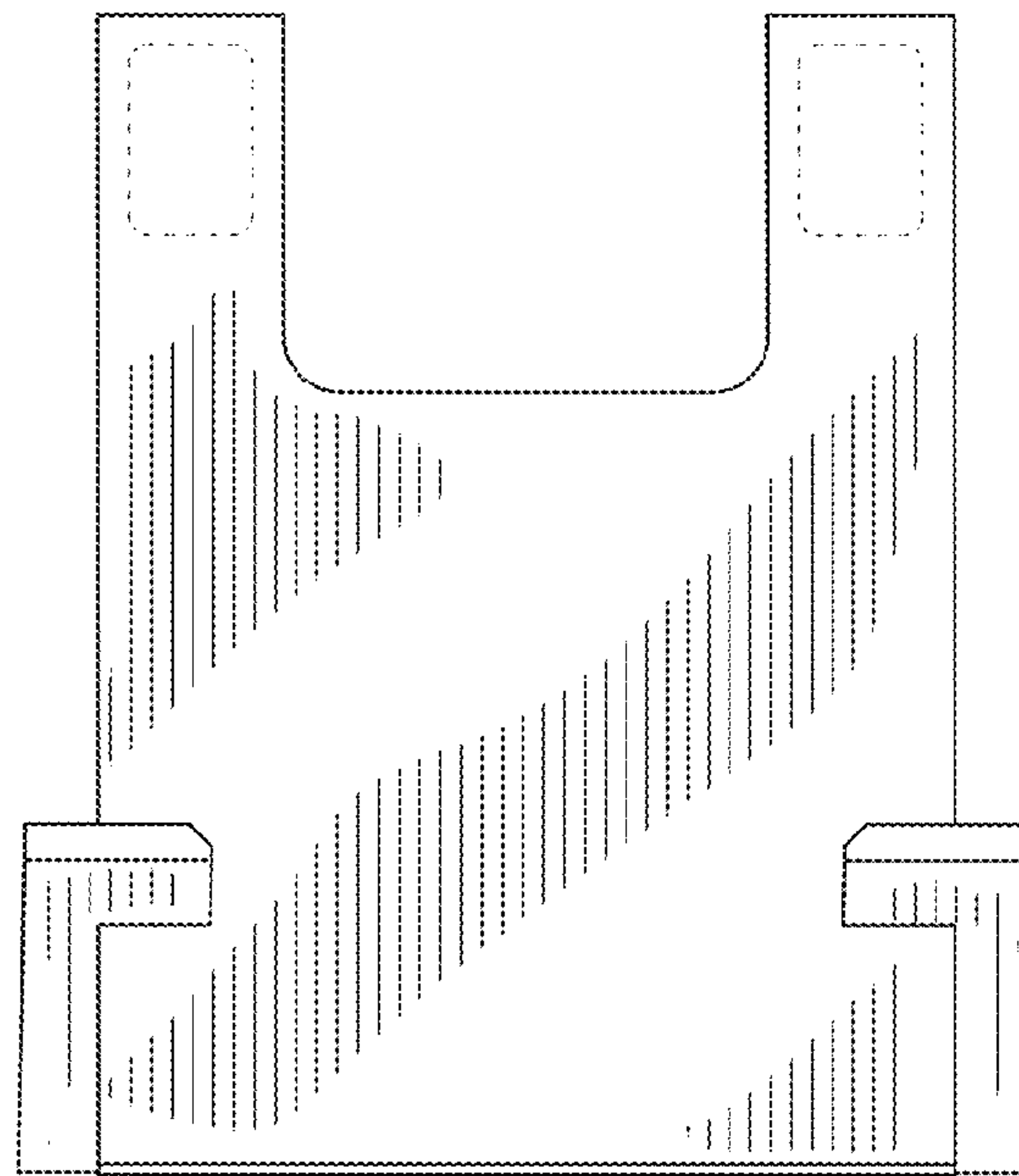


FIG. 2

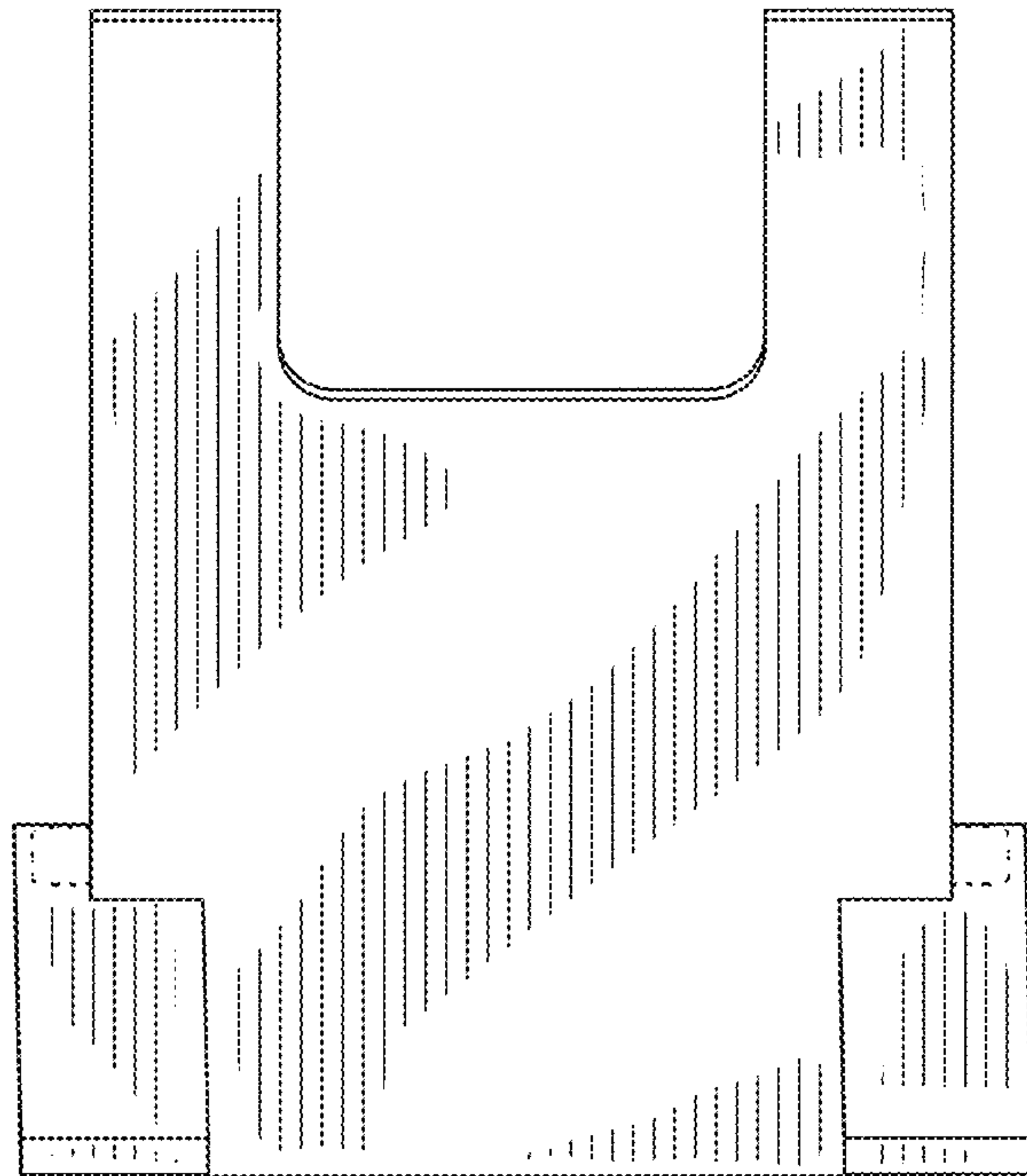


FIG. 3

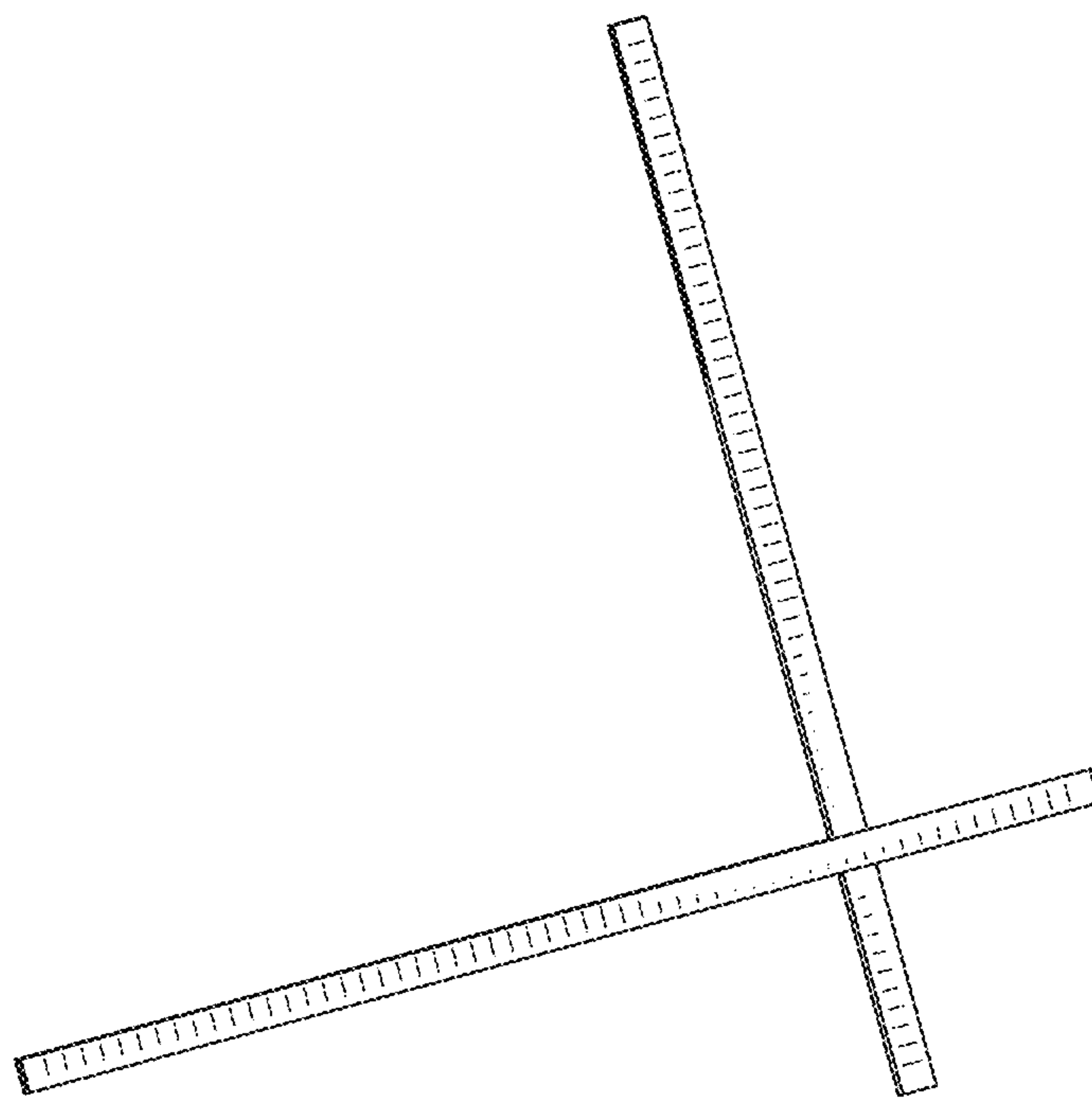


FIG. 4

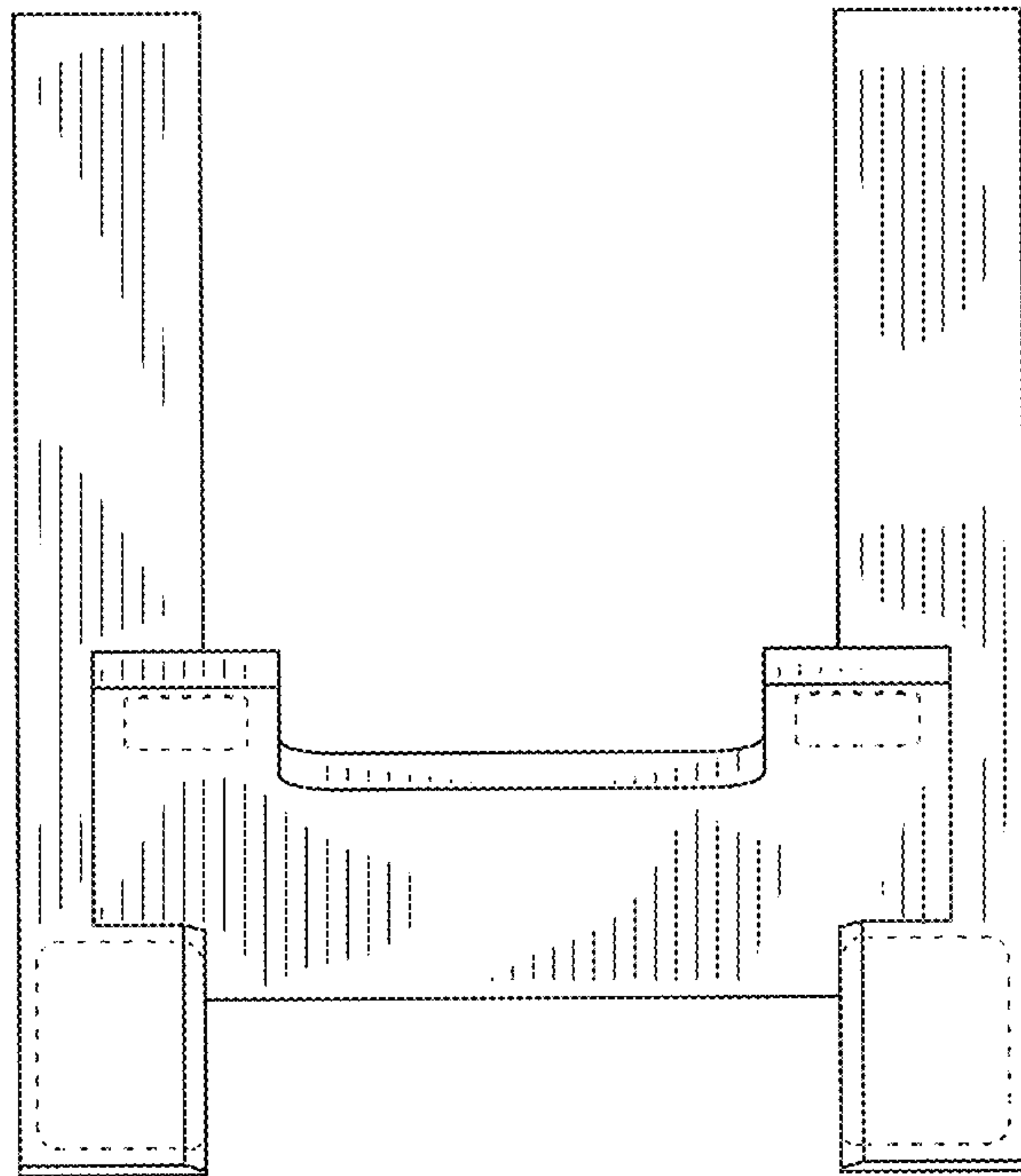


FIG. 5

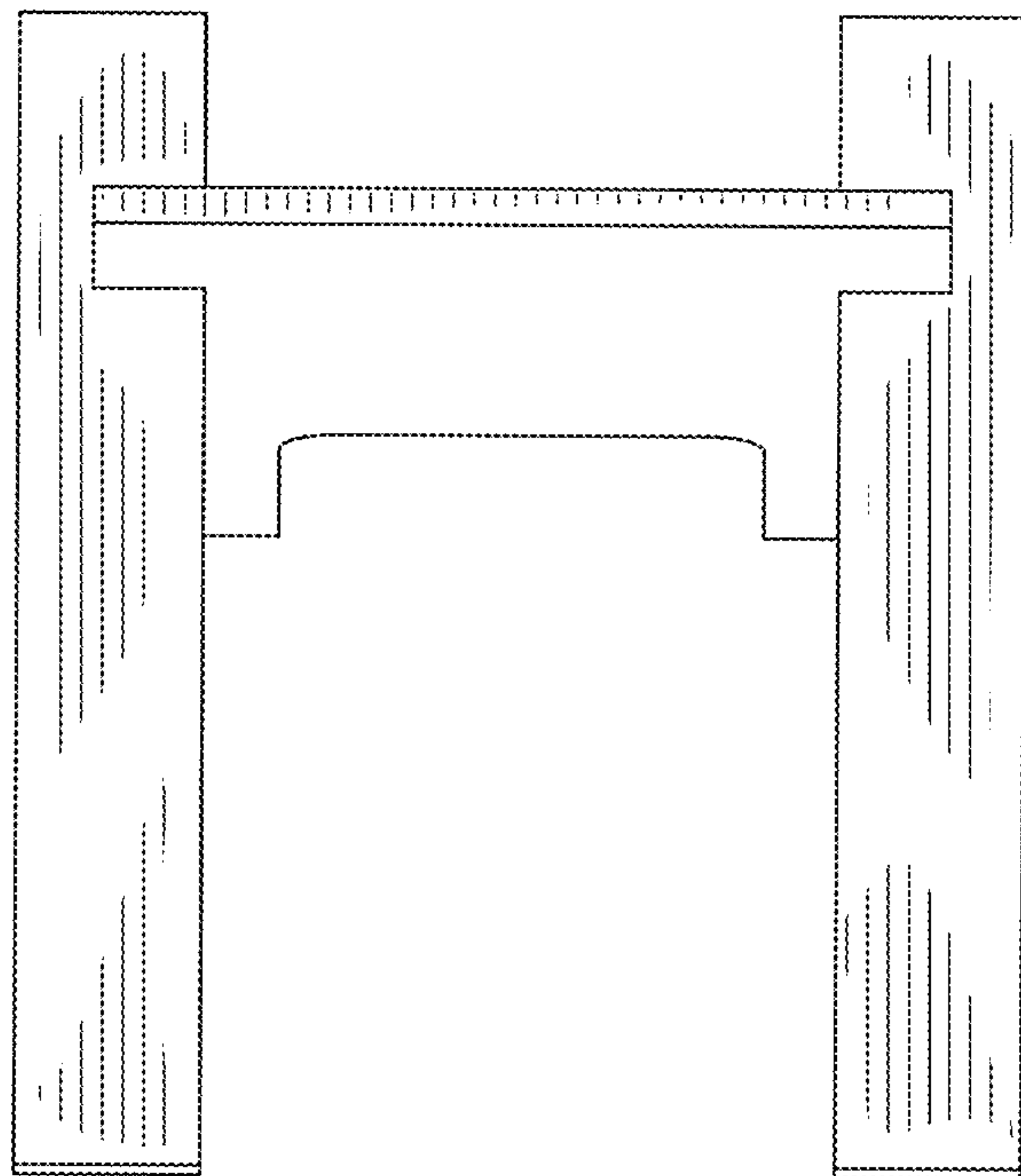


FIG. 6