



US00D741631S

(12) **United States Design Patent**
Bertault et al.

(10) **Patent No.:** **US D741,631 S**
(45) **Date of Patent:** **** Oct. 27, 2015**

(54) **DISPLAY TOWER**

(71) Applicant: **Spanx, Inc.**, Atlanta, GA (US)

(72) Inventors: **Vincent Bertault**, Orient, NY (US);
Robert Kemp, Atlanta, GA (US)

(73) Assignee: **Spanx, Inc.**, Atlanta, GA (US)

(**) Term: **14 Years**

(21) Appl. No.: **29/465,880**

(22) Filed: **Sep. 3, 2013**

(51) **LOC (10) Cl.** **06-06**

(52) **U.S. Cl.**
USPC **D6/677**

(58) **Field of Classification Search**
USPC D6/672, 677, 677.1, 682, 682.1, 574;
D14/126-129
CPC A47F 5/0018; A47B 49/00; A47B 49/004
See application file for complete search history.

(56) **References Cited**

U.S. PATENT DOCUMENTS

3,675,620	A *	7/1972	Baustin	116/308
D249,608	S *	9/1978	Wright	D6/678.1
D329,548	S *	9/1992	Wells et al.	D6/407
D329,552	S *	9/1992	Wells et al.	D6/678.1
5,669,498	A *	9/1997	Fierek et al.	206/373
D389,339	S *	1/1998	Garafano, Jr.	D6/677.1
D682,583	S *	5/2013	Hawkins	D6/683.1
D699,988	S *	2/2014	Hawkins	D6/678.1
D724,874	S *	3/2015	Goldman et al.	D6/702
D726,459	S *	4/2015	Hawkins	D6/683.1
2003/0196970	A1 *	10/2003	Jiang	211/40
2004/0055982	A1 *	3/2004	Jennings	211/126.2
2014/0158654	A1 *	6/2014	Hawkins et al.	211/126.14
2014/0158655	A1 *	6/2014	Hawkins	211/126.14

OTHER PUBLICATIONS

C3 Brandworks, Inc., <http://c3brandworks.com/ongoing/silver-joes-coffee-co/> (downloaded Oct. 10, 2013), in a Final Action dated Oct. 10, 2013, in U.S. Trademark Application No. 85/803,221.

(Continued)

Primary Examiner — Kelley Donnelly

(74) *Attorney, Agent, or Firm* — Meunier Carlin & Curfman LLC

(57) **CLAIM**

The ornamental design for a display tower, as shown and described.

DESCRIPTION

FIG. 1 is a front perspective view of one embodiment of a display tower.

FIG. 2 is a front view of the embodiment depicted in FIG. 1. The left-side view, the right-side view, and the back view are identical to the front view in FIG. 2.

FIG. 3 is a top view of the embodiment depicted in FIG. 1.

FIG. 4 is a bottom view of the embodiment depicted in FIG. 1.

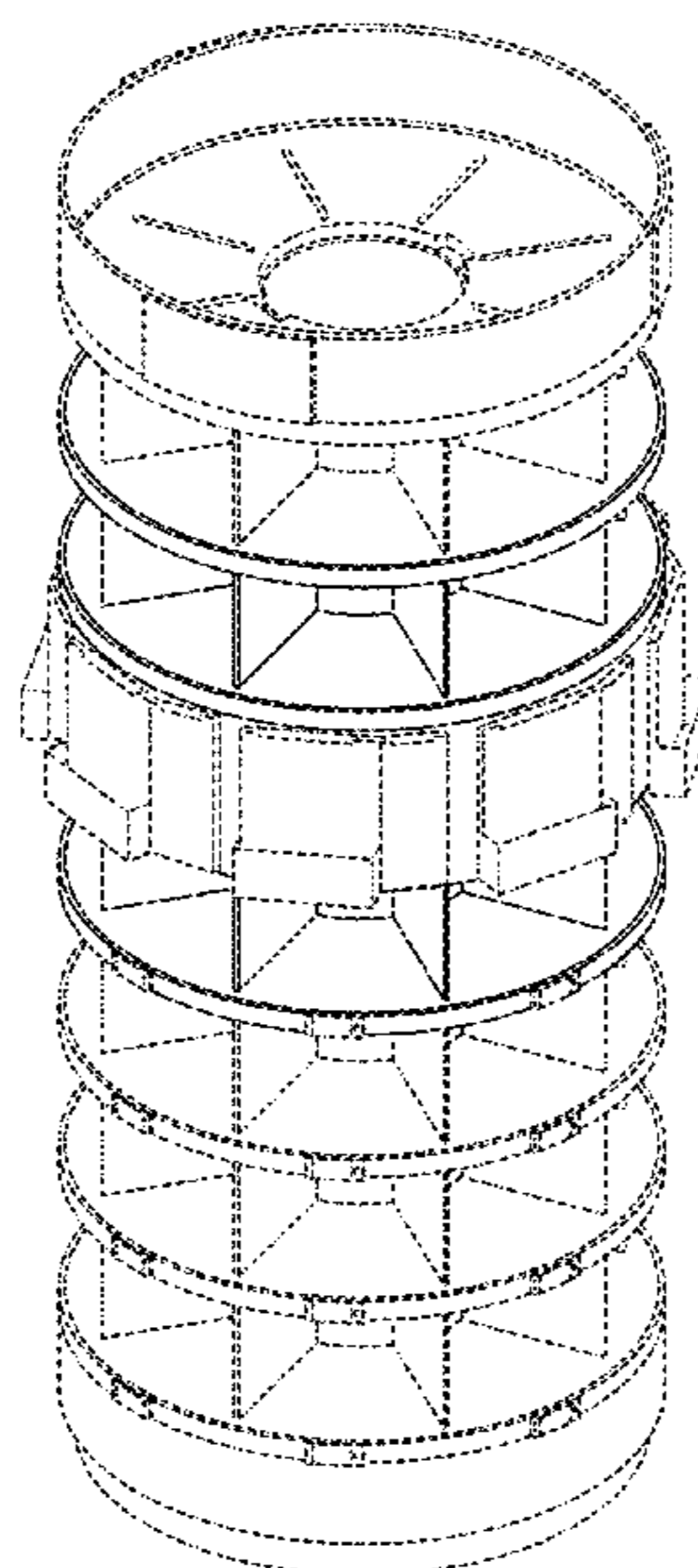
FIG. 5 is a front perspective view of one embodiment of a display tower.

FIG. 6 is a front view of the embodiment depicted in FIG. 5. The left-side view, the right-side view, and the back view are identical to the front view in FIG. 6; and,

FIG. 7 is a top view of the embodiment depicted in FIG. 5. The bottom view of the embodiment depicted in FIG. 5 is identical to FIG. 4.

The broken lines showing elements of the display tower in the above-described Figures are for illustrative purposes and form no part of the claimed design.

1 Claim, 6 Drawing Sheets



(56)

References Cited

OTHER PUBLICATIONS

Chicago Display Marketing Corporation, <http://www.chicagodisplay.com/photo-gallery.html> (downloaded Oct. 10, 2013), in a Final Action dated Oct. 10, 2013, in U.S. Trademark Application No. 85/803,221.

DDI Project Gallery, <http://www.ddionline.com/displayand-designideas/galleries/apparel-specialty/Spanx-Shop-New-York-5662.htm> (downloaded Mar. 18, 2013).

Ebay, <http://ebay.com/bhp/retail-display-tables> (downloaded Oct. 10, 2013), in a Final Action dated Oct. 10, 2013, in U.S. Trademark Application No. 85/803,221.

Displays2Go, <http://www.displays2go.com/C-27301/Retail-Show-Cases-Have-a-Frameless-Construction> (downloaded Oct. 10, 2013), in a Final Action dated Oct. 10, 2013, in U.S. Trademark Application No. 85/803,221.

Prosecution History of U.S. Trademark Application No. 85/803,221, filed Dec. 14, 2012.

Prosecution History of U.S. Trademark Application No. 85/803,223, filed Dec. 14, 2012.

File History of Utility U.S. Appl. No. 14/136,765, filed Dec. 20, 2013 and prosecution history thereof.

Shenzhen Leader Display Pdts Ltd., http://www.cardboard-display-stands.com/china-round_display_stands_pallet_display_box_for_supermarket_retail-1237727.html (downloaded Oct. 10, 2013), in a Final Action dated Oct. 10, 2013, in U.S. Trademark Application No. 85/803,221.

Vigilant Woodworks, <http://vigilantinc.com/commercial/island-display-packages.php> (downloaded Oct. 10, 2013), in a Final Action dated Oct. 10, 2013, in U.S. Trademark Application No. 85/803,221.

Wanzl, http://www.wanzl.com/en_DE/products/shelving-systems-and-installation-solutions/wire-tech.html (downloaded Oct. 10, 2013), in a Final Action dated Oct. 10, 2013, in U.S. Trademark Application No. 85/803,221.

* cited by examiner

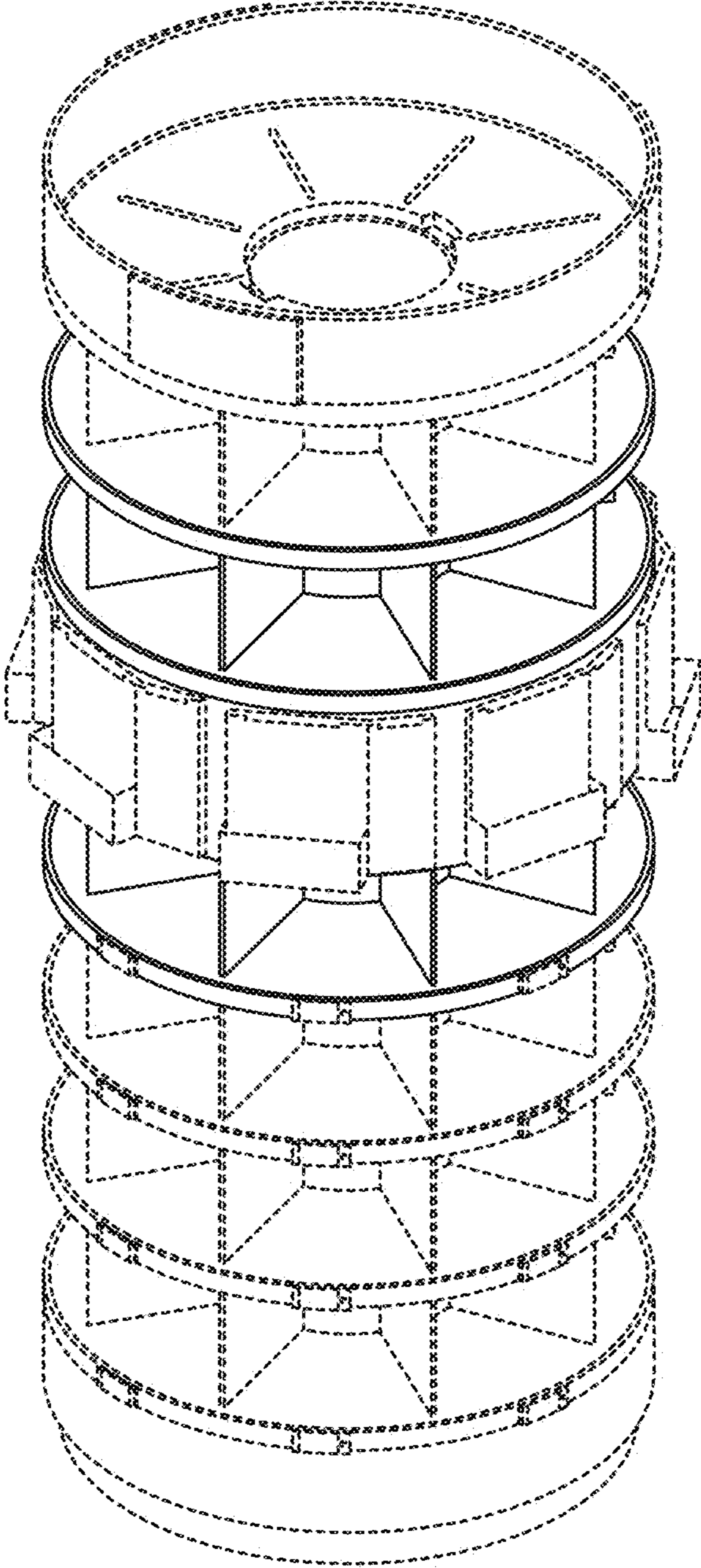


FIG. 1

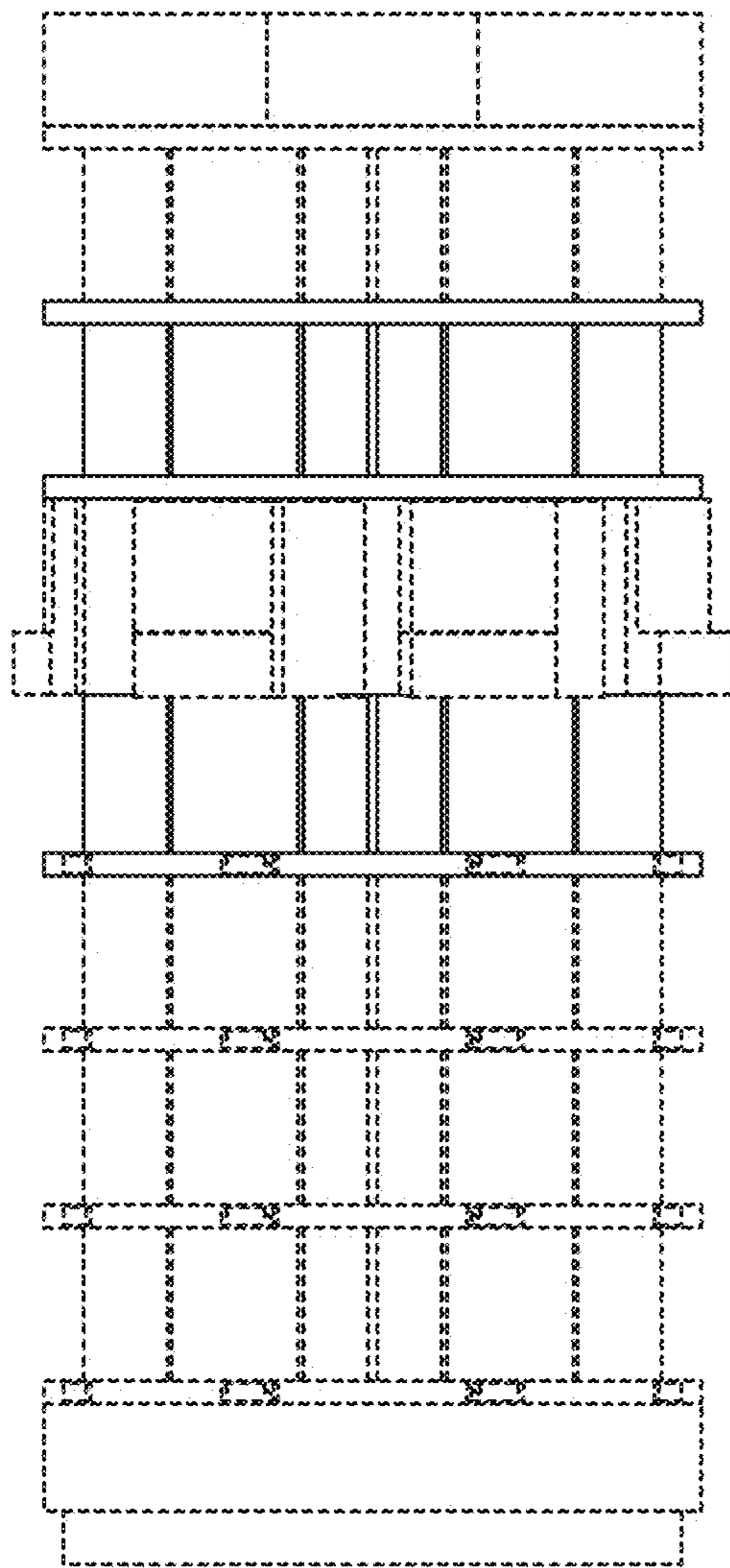


FIG. 2

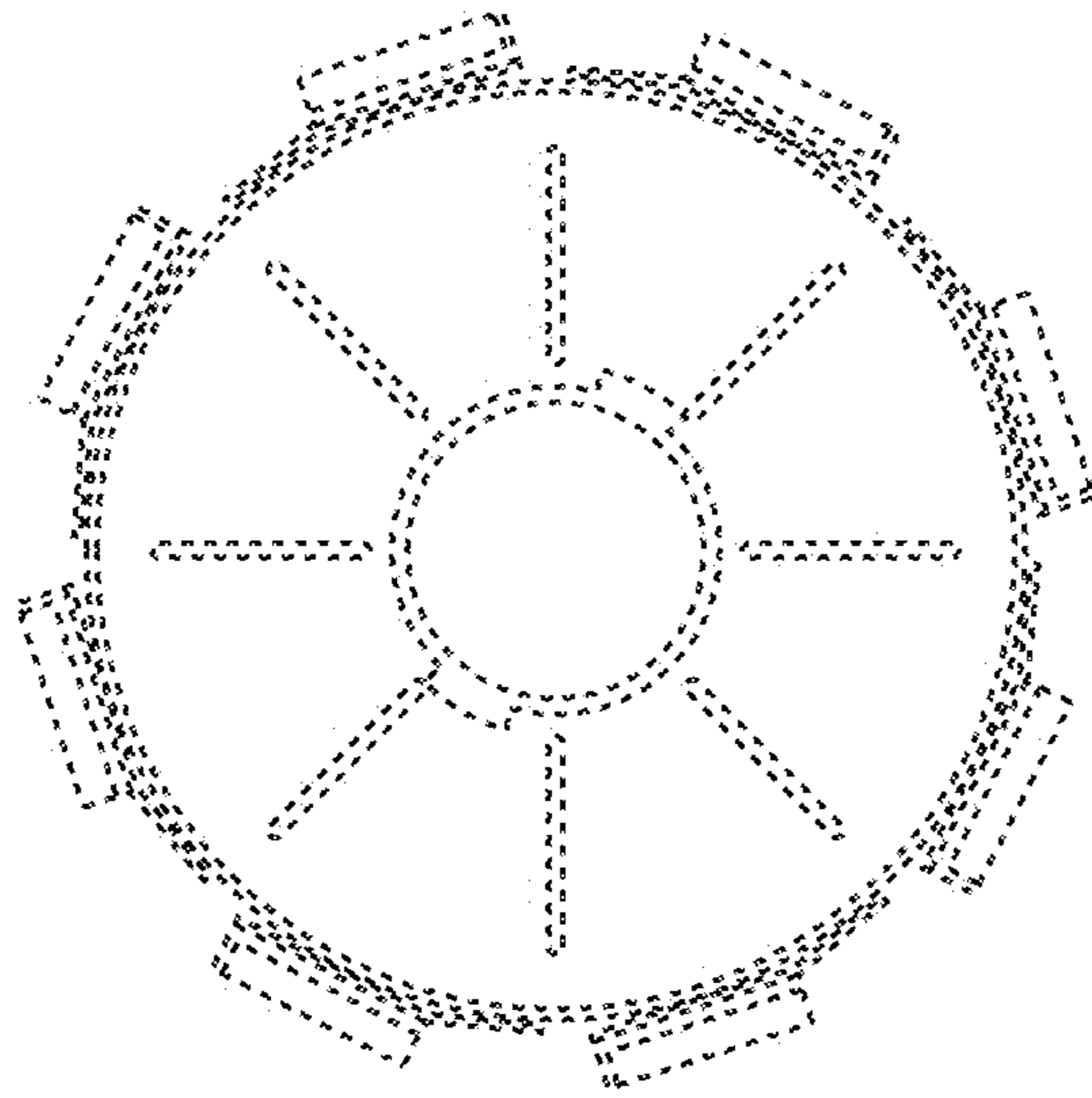


FIG. 3

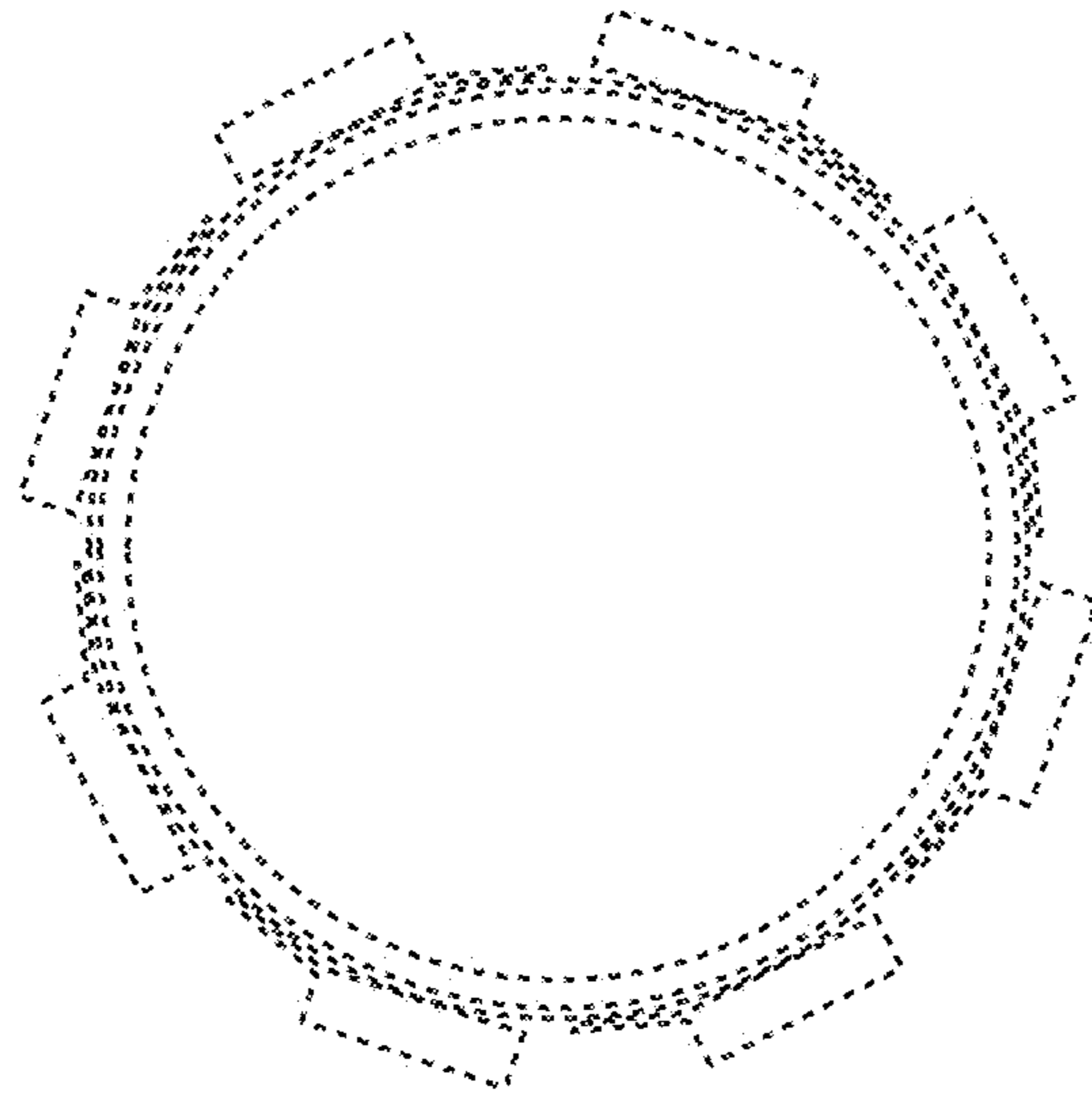


FIG. 4

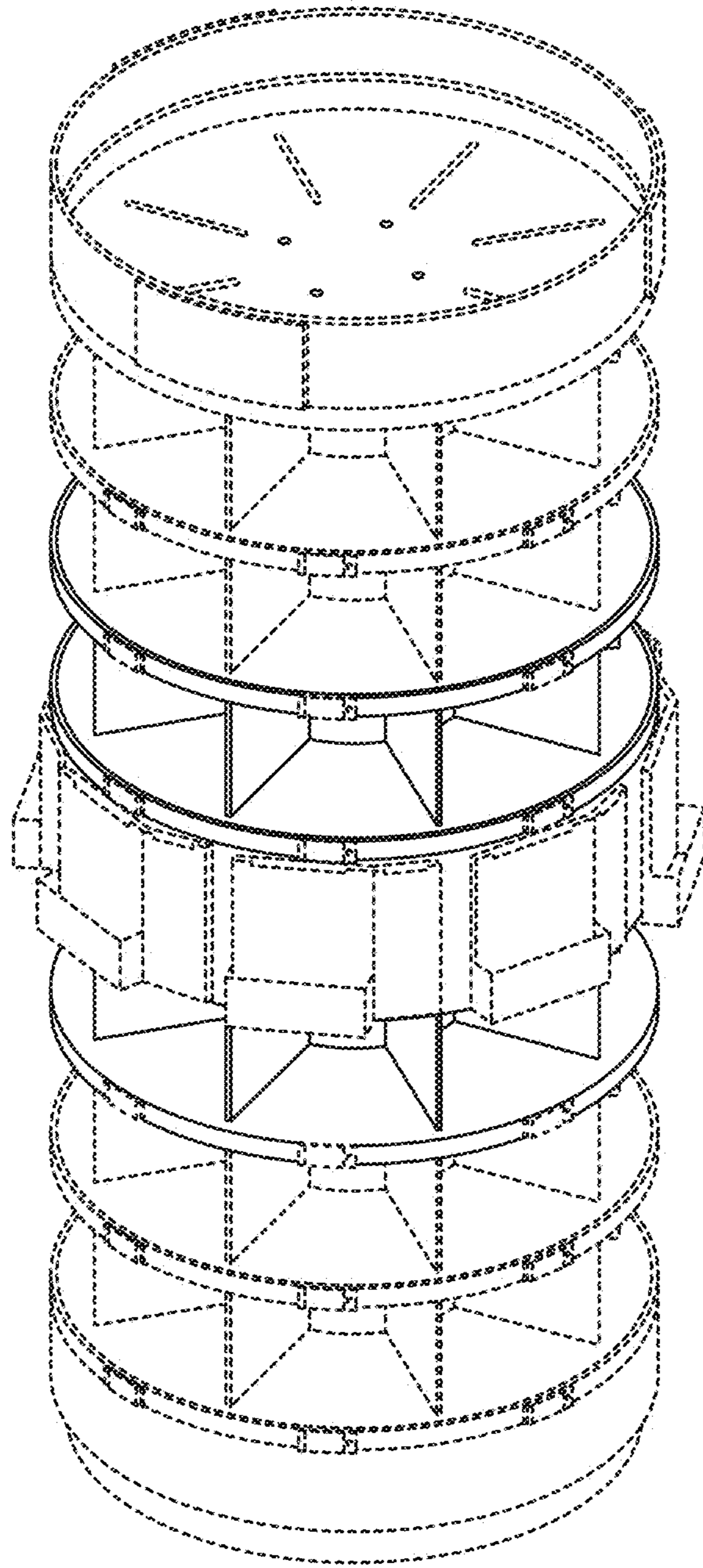


FIG. 5

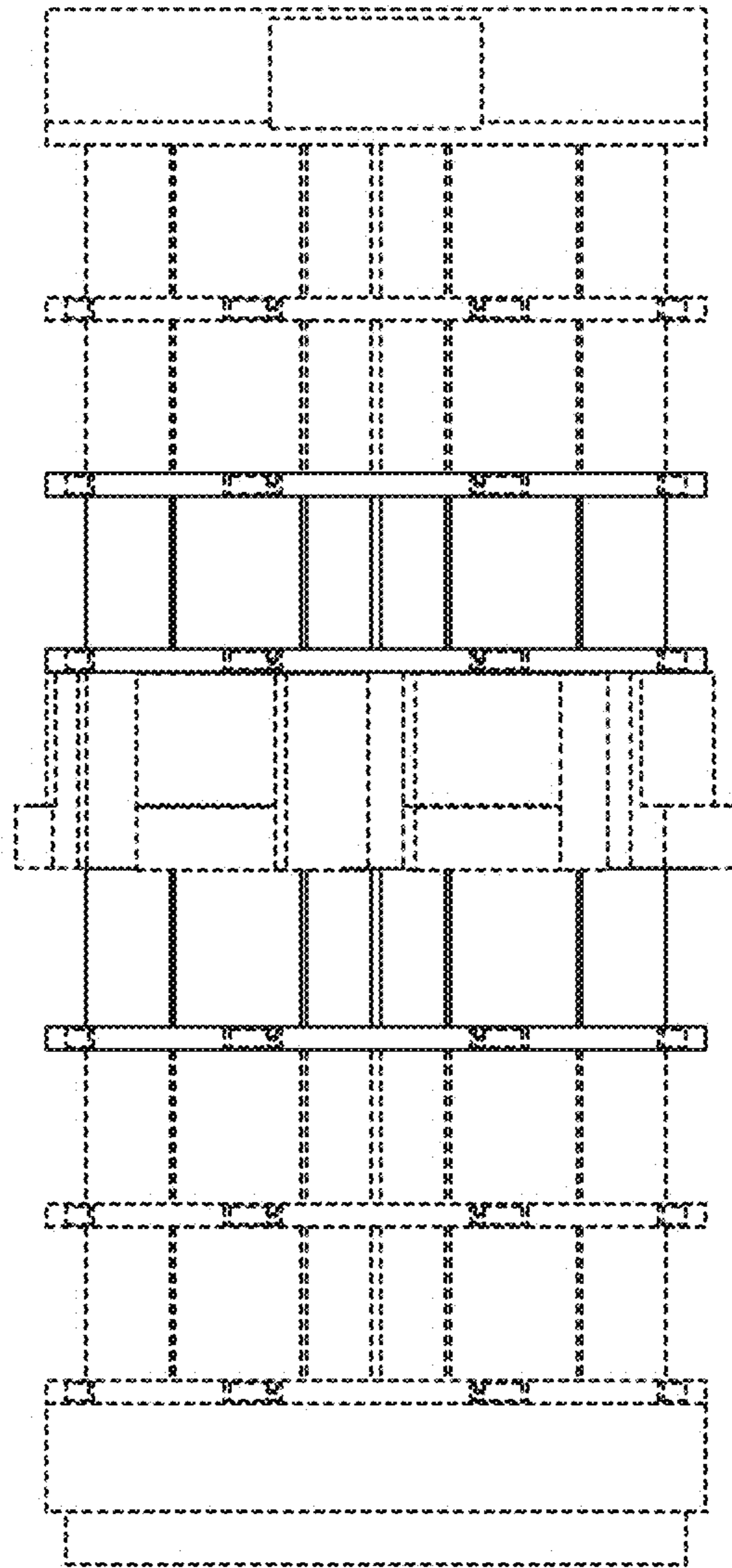


FIG. 6

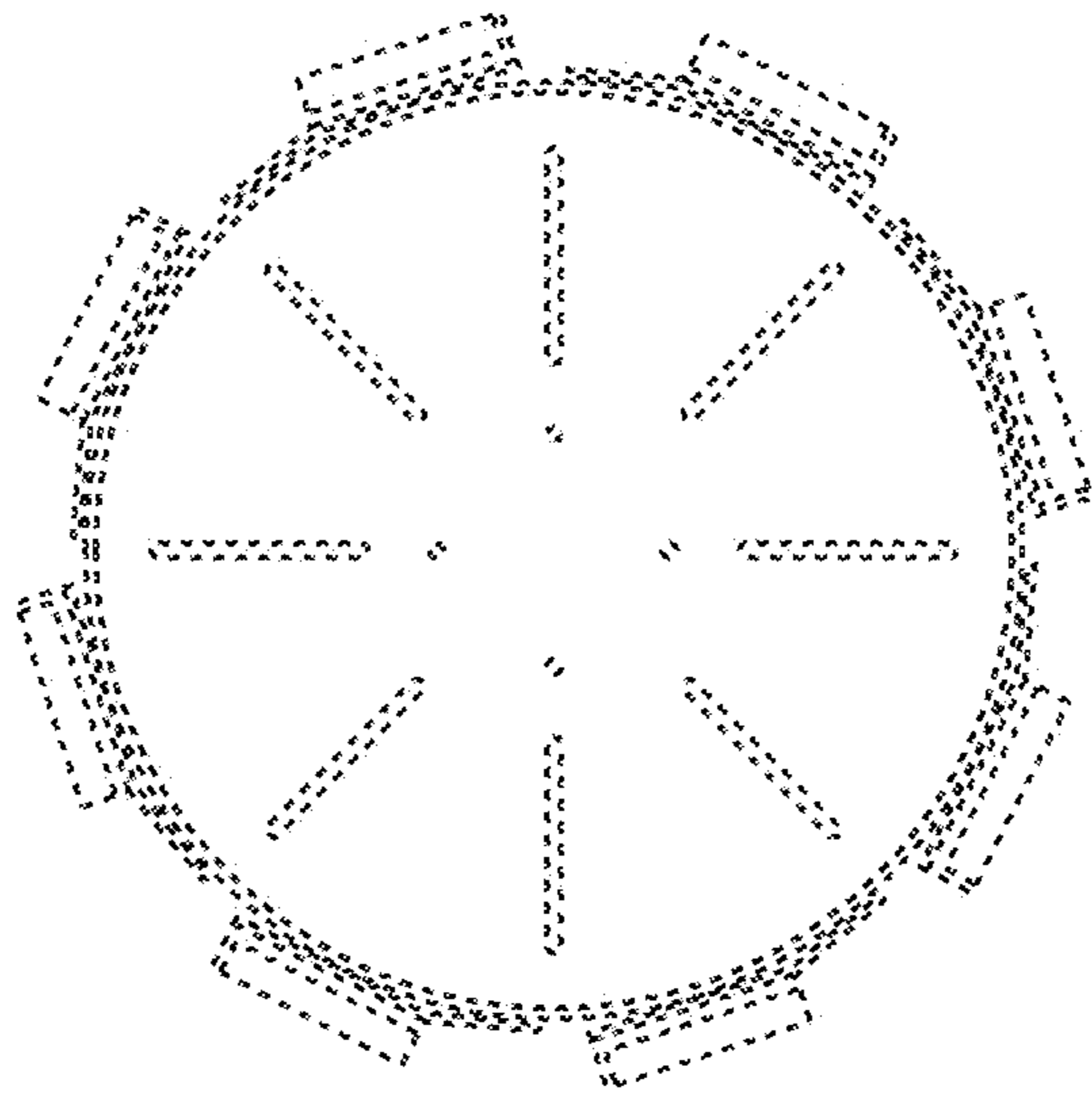


FIG. 7

UNITED STATES PATENT AND TRADEMARK OFFICE
CERTIFICATE OF CORRECTION

PATENT NO. : D741,631 S
APPLICATION NO. : 29/465880
DATED : October 27, 2015
INVENTOR(S) : Vincent Bertault and Robert Kemp

Page 1 of 8

It is certified that error appears in the above-identified patent and that said Letters Patent is hereby corrected as shown below:

Delete the title page and substitute therefore with the attached title page consisting of the corrected illustrative figure

In the Drawings

Please replace FIGS. 1-7 with FIGS. 1-7 as shown on the attached pages

Signed and Sealed this
Twenty-third Day of August, 2016



Michelle K. Lee
Director of the United States Patent and Trademark Office

(12) **United States Design Patent**
Bertault et al.

(10) **Patent No.:** **US D741,631 S**
(45) **Date of Patent:** **** Oct. 27, 2015**

(54) **DISPLAY TOWER**

OTHER PUBLICATIONS

(71) Applicant: **Spanx, Inc.**, Atlanta, GA (US)

C3 Brandworks, Inc., <http://c3brandworks.com/ongoing/silver-joes-coffee-co/> (downloaded Oct. 10, 2013), in a Final Action dated Oct. 10, 2013, in U.S. Trademark Application No. 85/803,221.

(72) Inventors: **Vincent Bertault**, Orient, NY (US);
Robert Kemp, Atlanta, GA (US)

(Continued)

(73) Assignee: **Spanx, Inc.**, Atlanta, GA (US)

Primary Examiner — Kelley Donnelly

(**) Term: **14 Years**

(74) *Attorney, Agent, or Firm* — Meunier Carlin & Curfman LLC

(21) Appl. No.: **29/465,880**

(57) **CLAIM**

(22) Filed: **Sep. 3, 2013**

The ornamental design for a display tower, as shown and described.

(51) **LOC (10) Cl.** **06-06**

(52) **U.S. Cl.**
USPC **D6/677**

DESCRIPTION

(58) **Field of Classification Search**
USPC D6/672, 677, 677.1, 682, 682.1, 574;
D14/126-129
CPC A47F 5/0018; A47B 49/00; A47B 49/004
See application file for complete search history.

FIG. 1 is a front perspective view of one embodiment of a display tower.
FIG. 2 is a front view of the embodiment depicted in FIG. 1. The left-side view, the right-side view, and the back view are identical to the front view in FIG. 2.
FIG. 3 is a top view of the embodiment depicted in FIG. 1.
FIG. 4 is a bottom view of the embodiment depicted in FIG. 1.

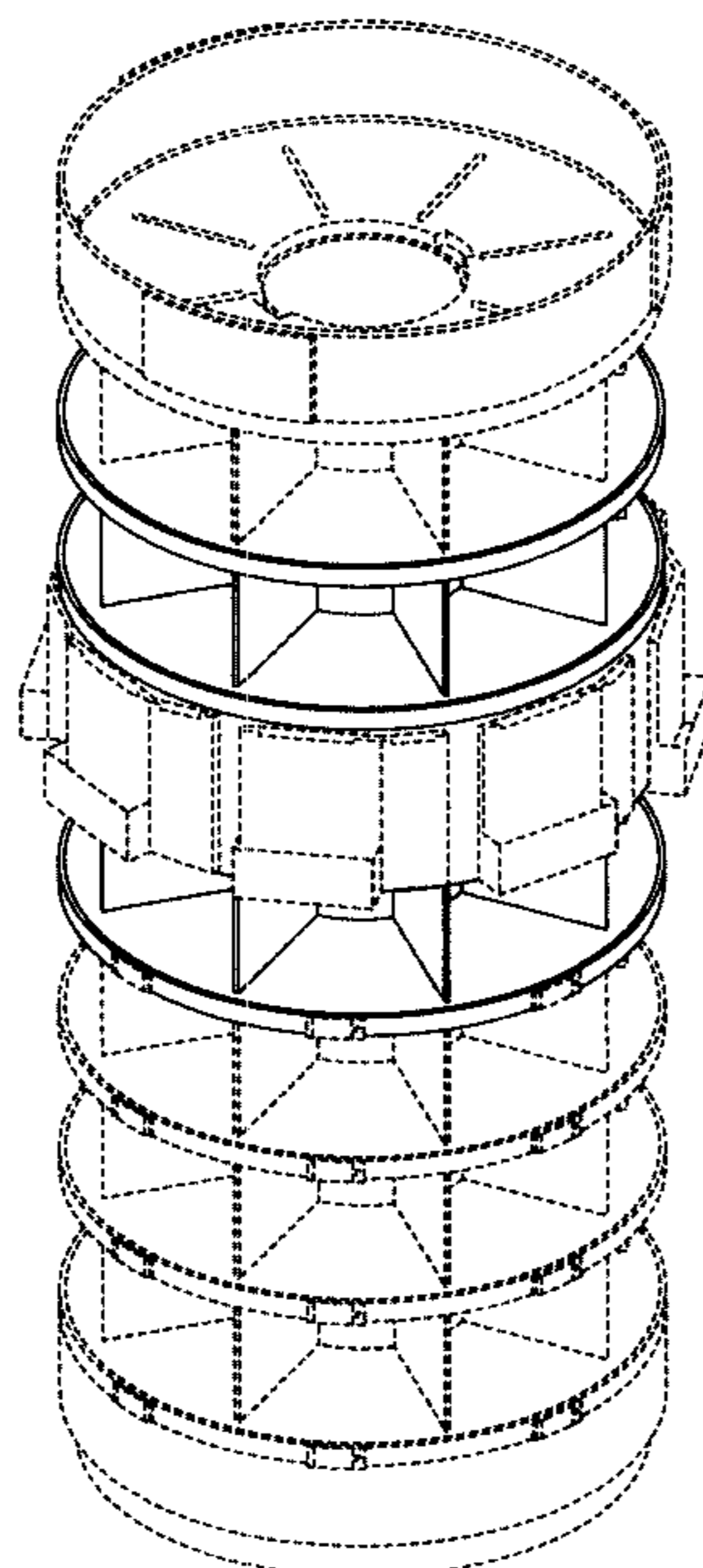
(56) **References Cited**

U.S. PATENT DOCUMENTS

3,675,620	A *	7/1972	Baustin	116/308
D249,608	S *	9/1978	Wright	D6/678.1
D329,548	S *	9/1992	Wells et al.	D6/407
D329,552	S *	9/1992	Wells et al.	D6/678.1
5,669,498	A *	9/1997	Fierek et al.	206/373
D389,339	S *	1/1998	Garafano, Jr.	D6/677.1
D682,583	S *	5/2013	Hawkins	D6/683.1
D699,988	S *	2/2014	Hawkins	D6/678.1
D724,874	S *	3/2015	Goldman et al.	D6/702
D726,459	S *	4/2015	Hawkins	D6/683.1
2003/0196970	A1 *	10/2003	Jiang	211/40
2004/0055982	A1 *	3/2004	Jennings	211/126.2
2014/0158654	A1 *	6/2014	Hawkins et al.	211/126.14
2014/0158655	A1 *	6/2014	Hawkins	211/126.14

FIG. 5 is a front perspective view of one embodiment of a display tower.
FIG. 6 is a front view of the embodiment depicted in FIG. 5. The left-side view, the right-side view, and the back view are identical to the front view in FIG. 6; and
FIG. 7 is a top view of the embodiment depicted in FIG. 5. The bottom view of the embodiment depicted in FIG. 5 is identical to FIG. 4.
The broken lines showing elements of the display tower in the above-described Figures are for illustrative purposes and form no part of the claimed design.

1 Claim, 6 Drawing Sheets



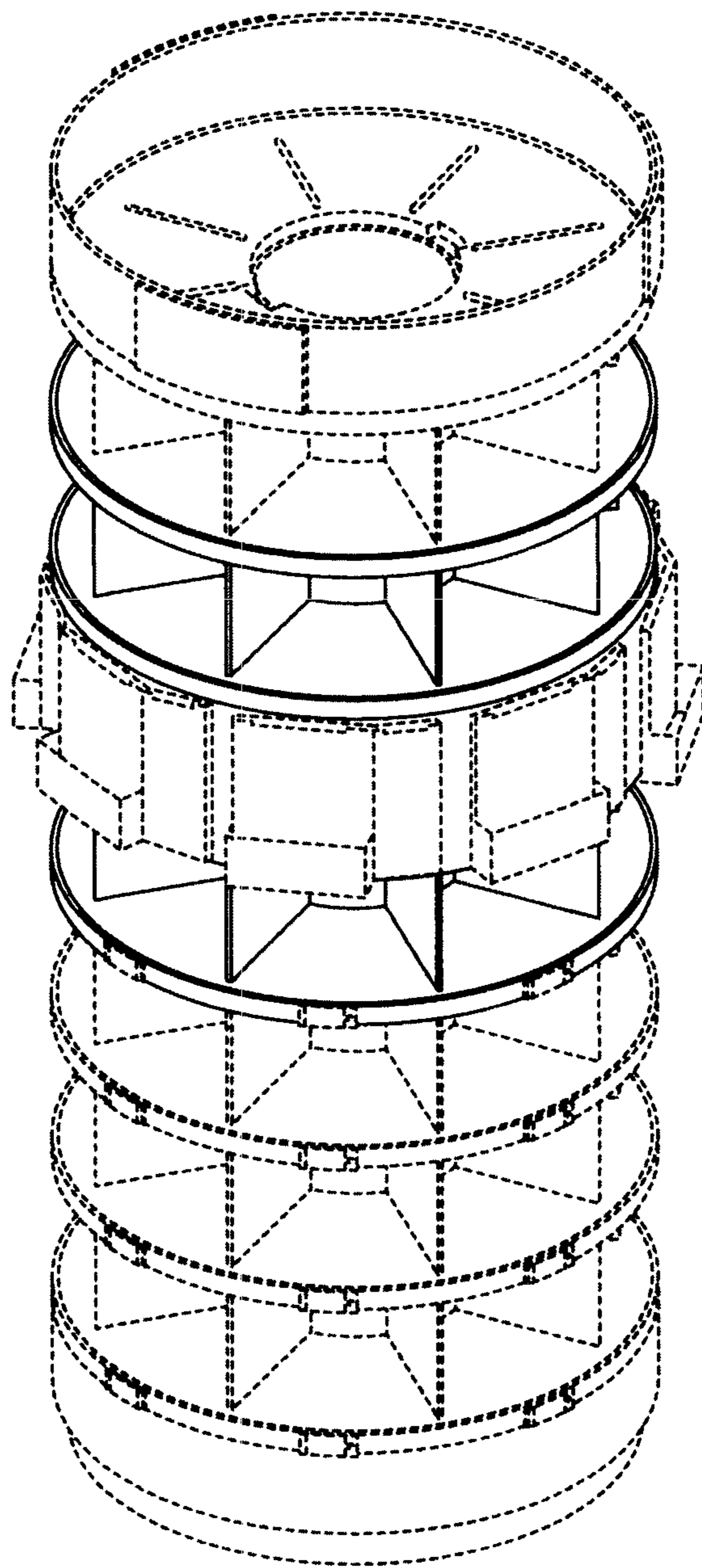


FIG. 1

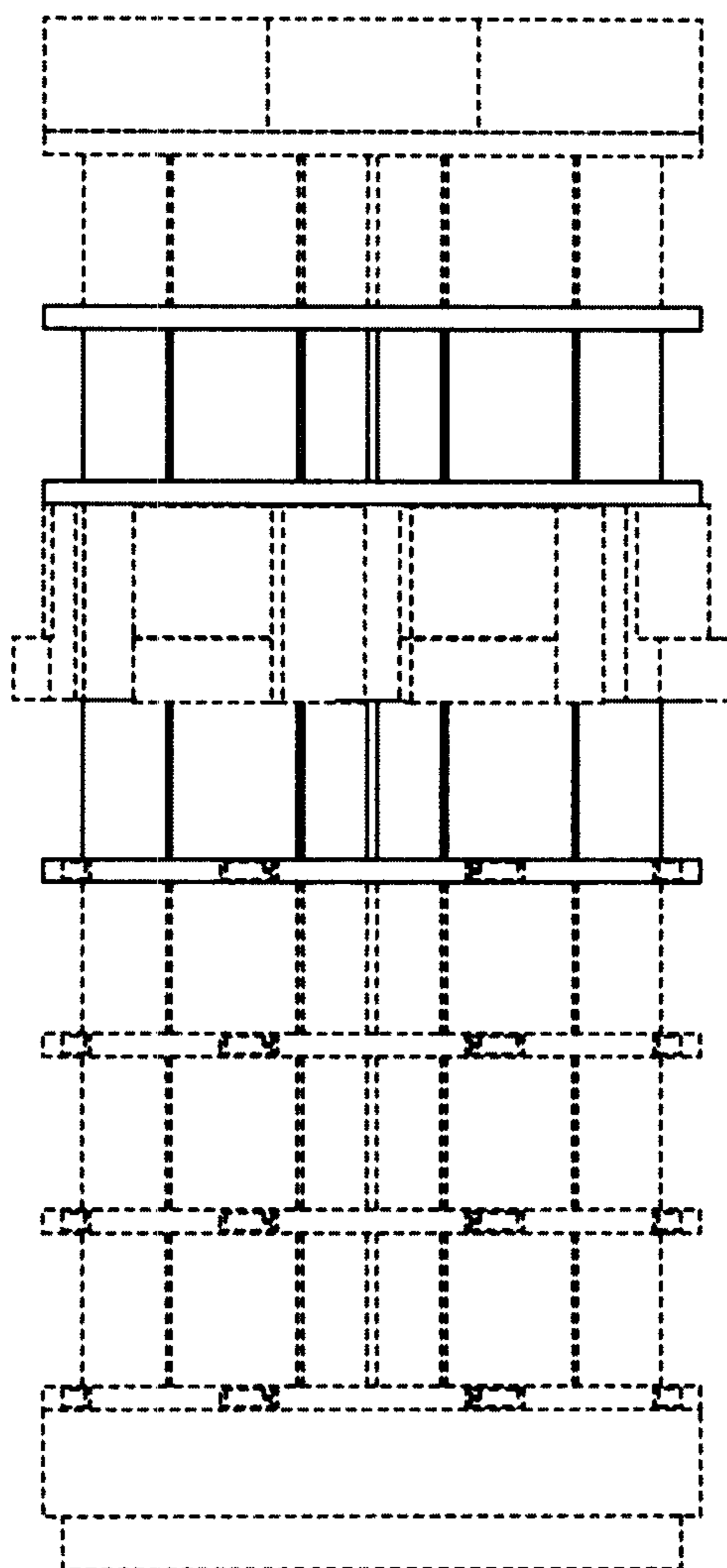


FIG. 2

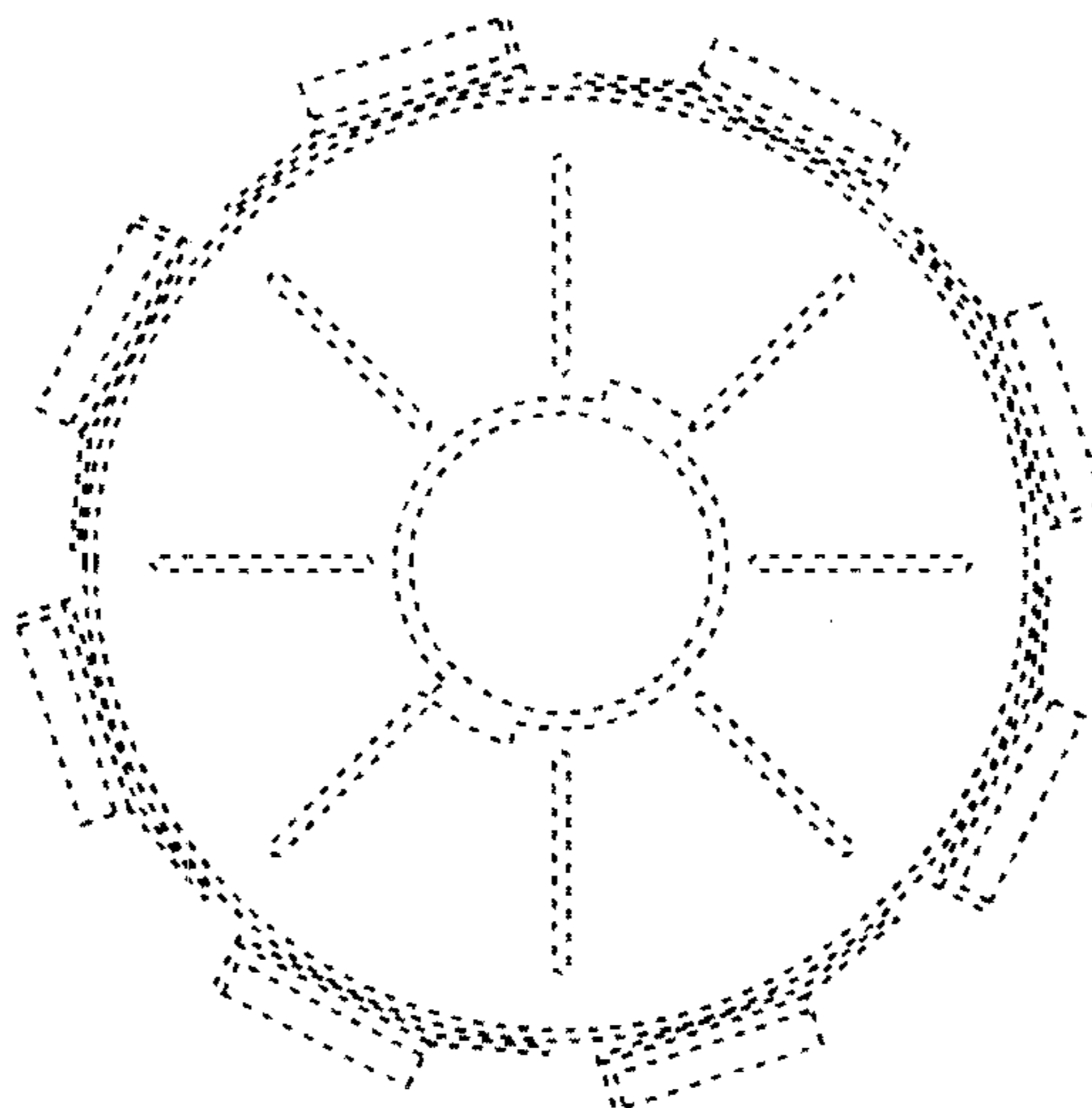


FIG. 3

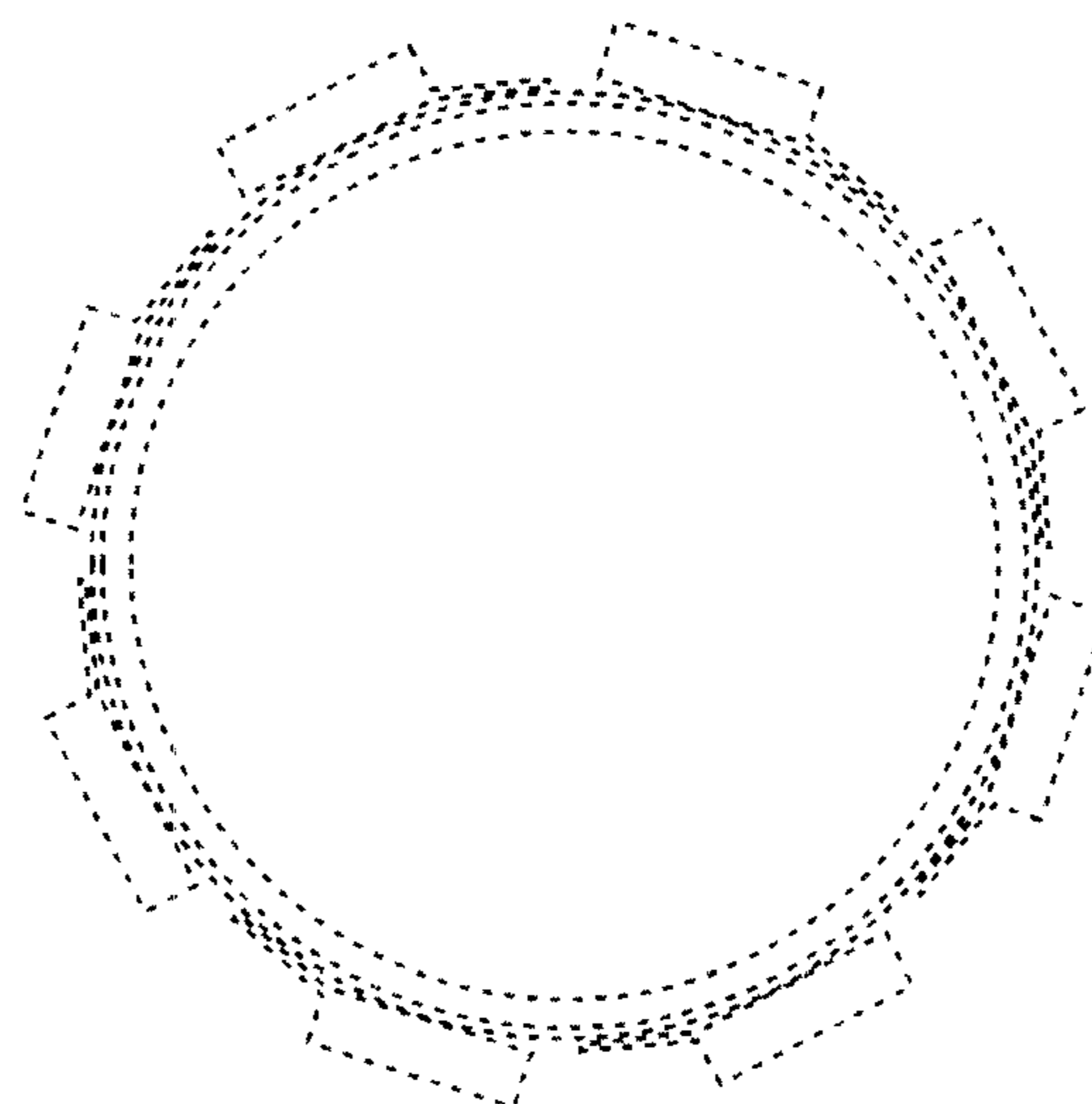


FIG. 4

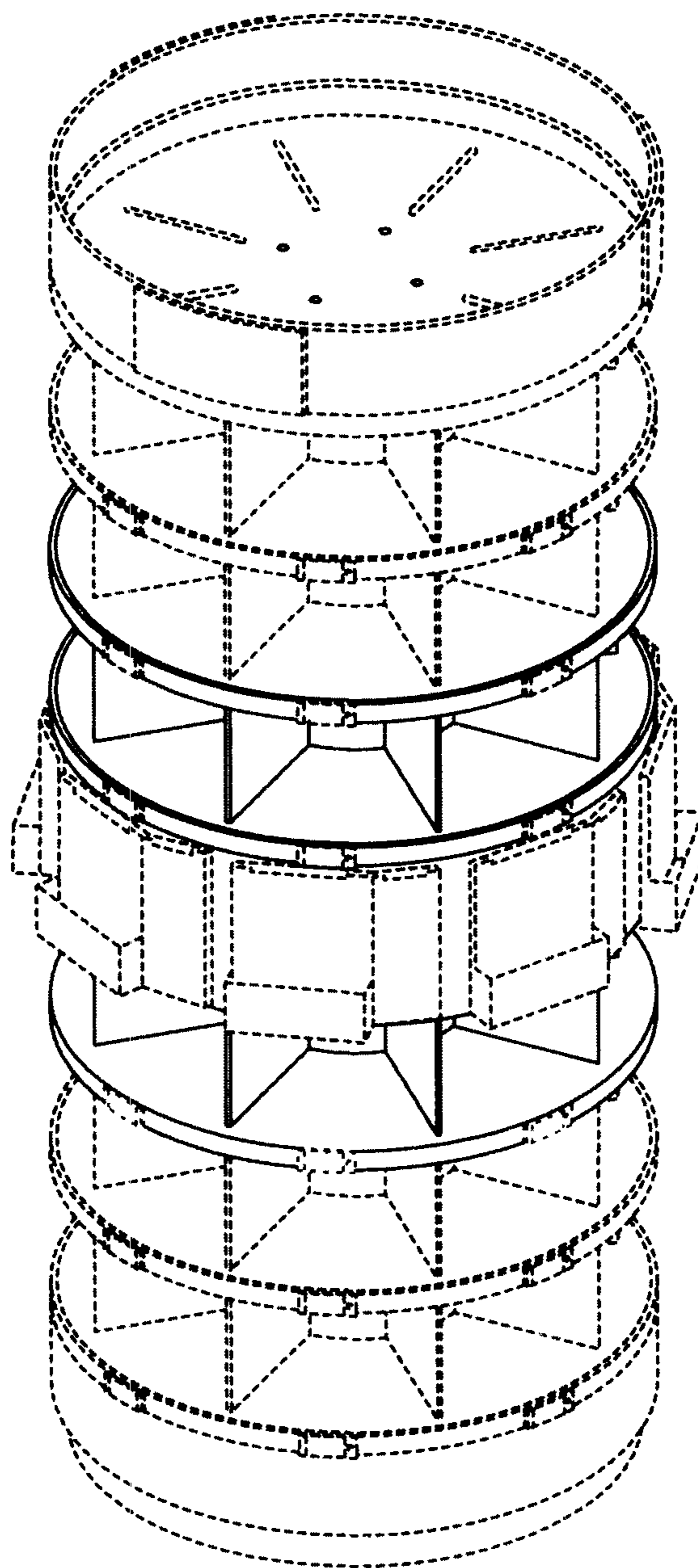


FIG. 5

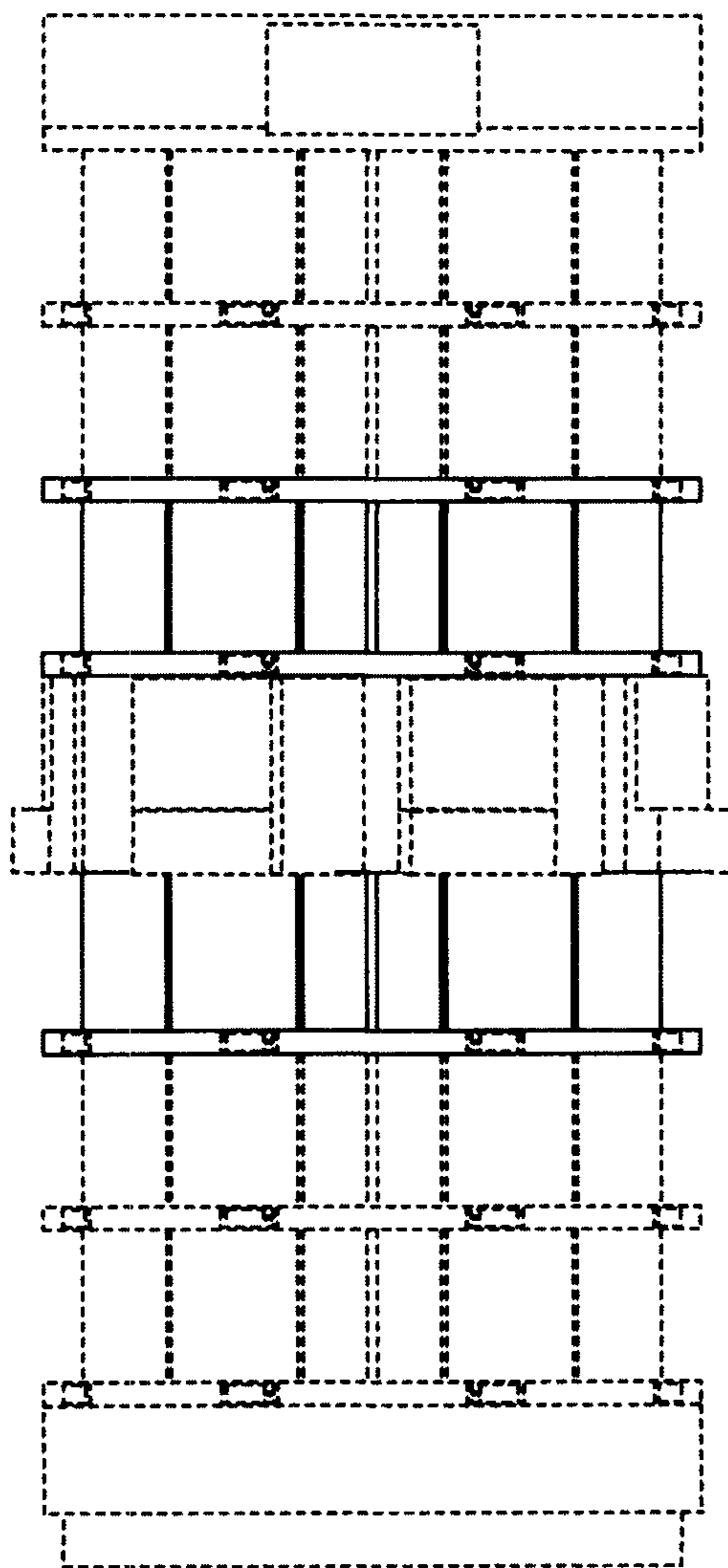


FIG. 6

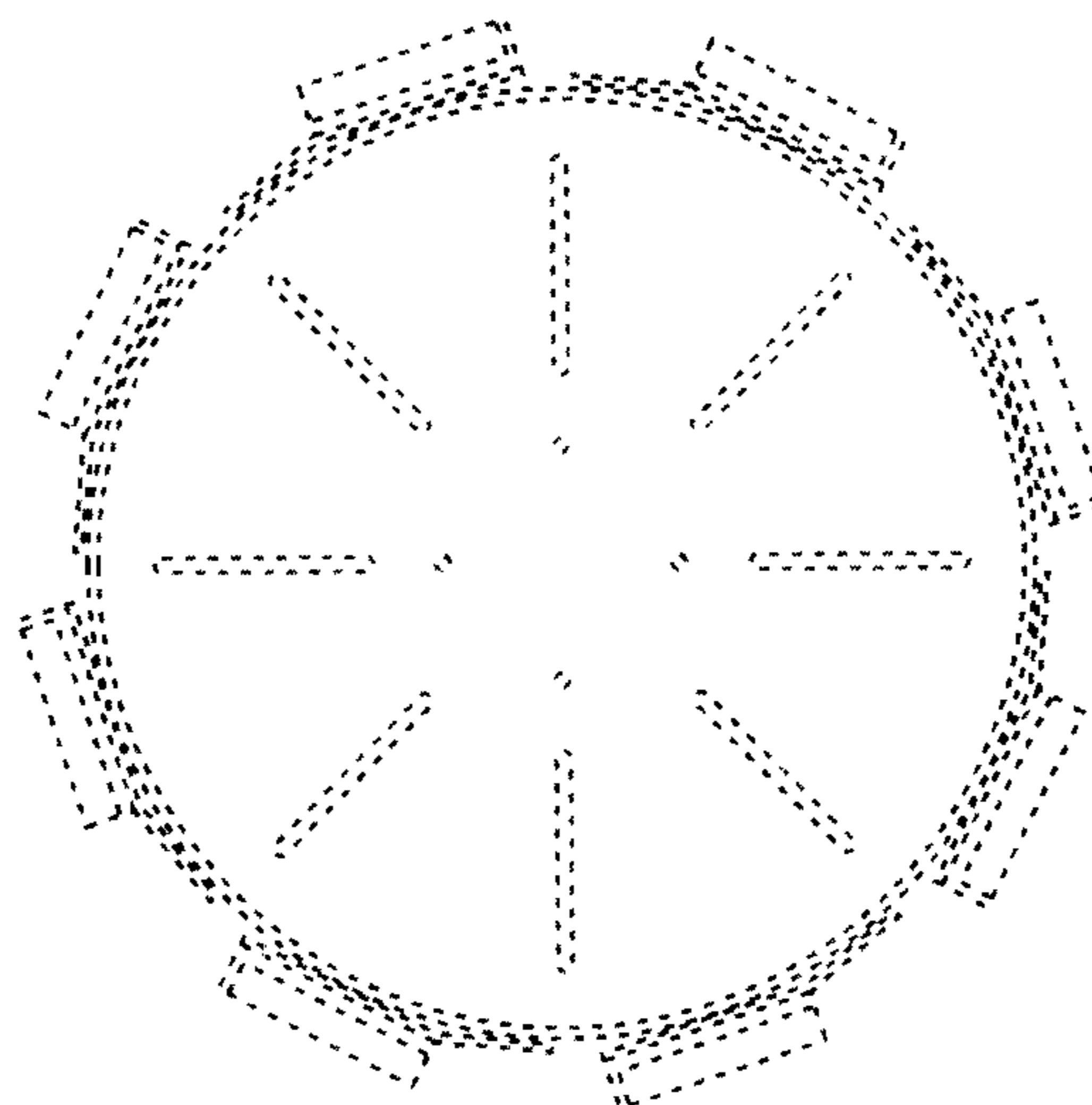


FIG. 7